

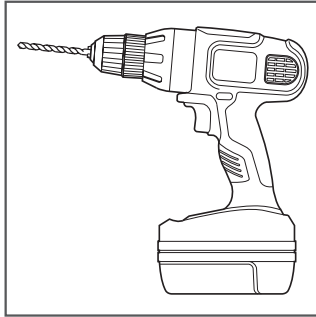


RIPPLE HANGER

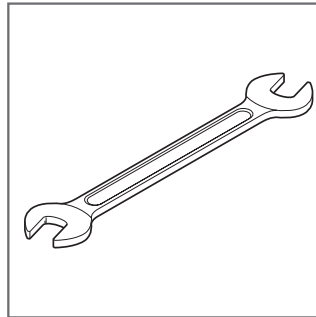
ASSEMBLY INSTRUCTIONS



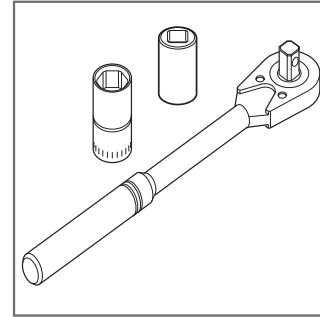
RIPPLE HANGER Recommended Tools



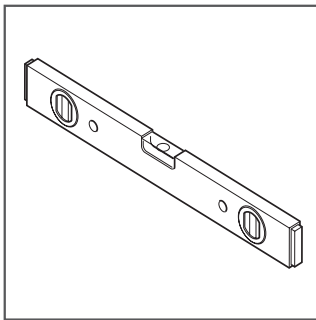
Drill with 1/8", 1/4", and 1/2" Drill Bits, 1-1/8" Forstner Bit or 1-1/8" Spade Bit, and Phillips Bit



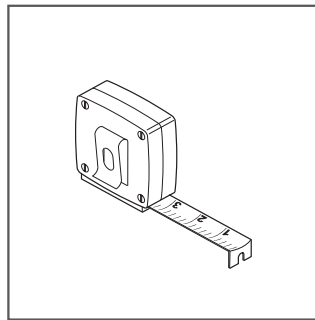
9/16" and 5/8" Combination Wrench



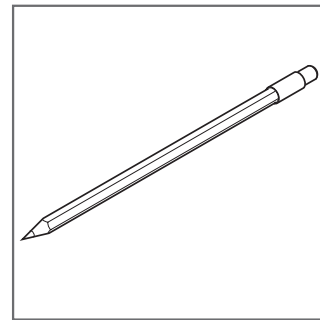
Socket Wrench with 9/16" and 5/8" Sockets



Level

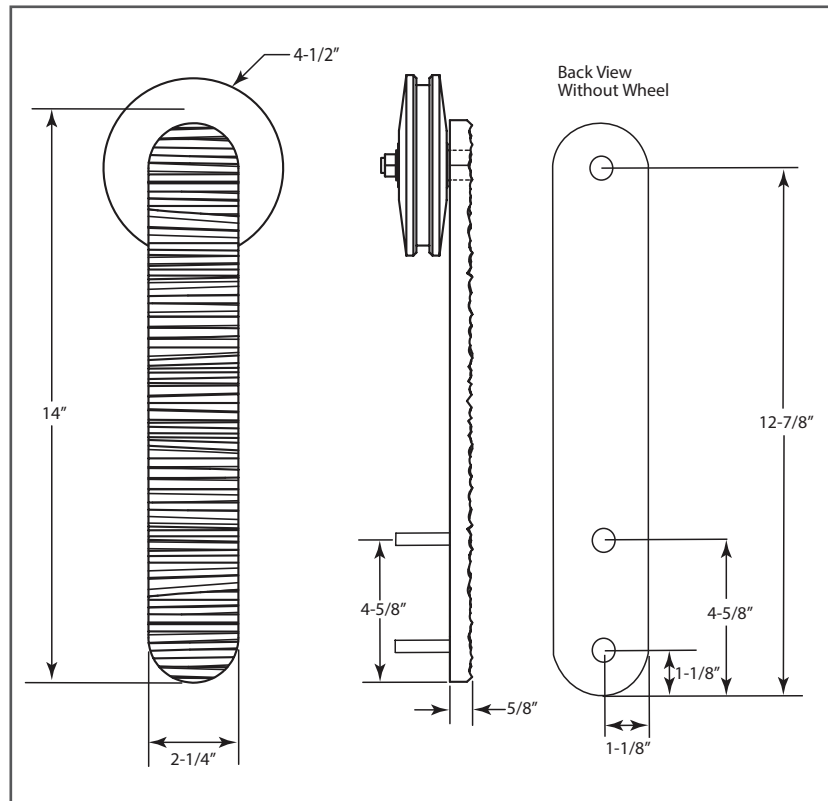


Tape Measure

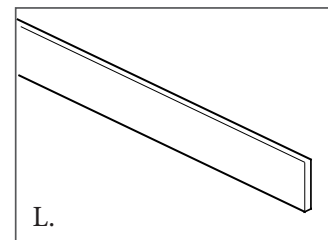
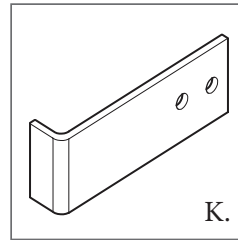
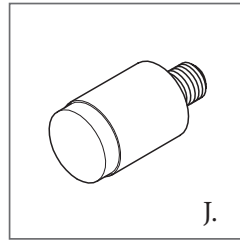
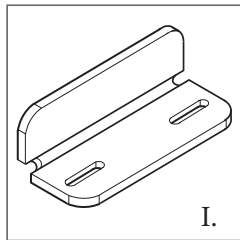
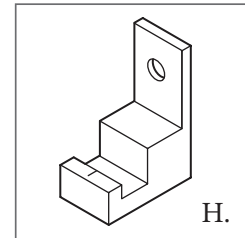
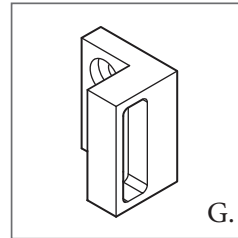
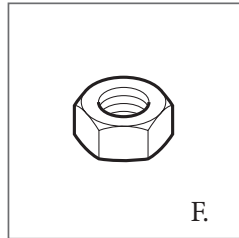
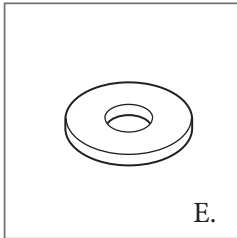
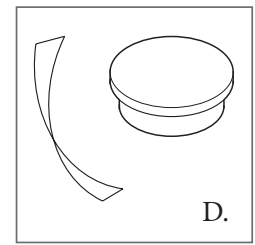
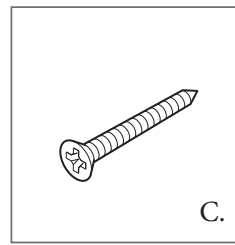
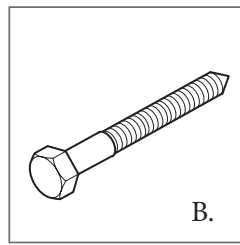
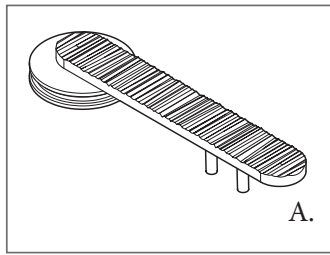


Pencil

RIPPLE HANGER Specifications



RIPPLE HANGER Parts



PARTS

- A. Hanger Assembly
- B. Lag Screw
- C. Phillips Screw
- D. Whole Plug & Adhesive Strip
- E. 1" Washer
- F. Hex Nut
- G. End Bracket
- H. Center Spacer Bracket
- I. Door Guide
- J. Soft Stop
- K. Anti-Jump Bracket
- L. Track

**USE TEAMWORK - WE RECOMMEND
TWO PEOPLE FOR THIS BUILD.**

NOTE:

Doors using Floor Mount Door Guides will have a groove on the bottom. Ensure this groove is on the opposite end of the Door Hanger Installation.

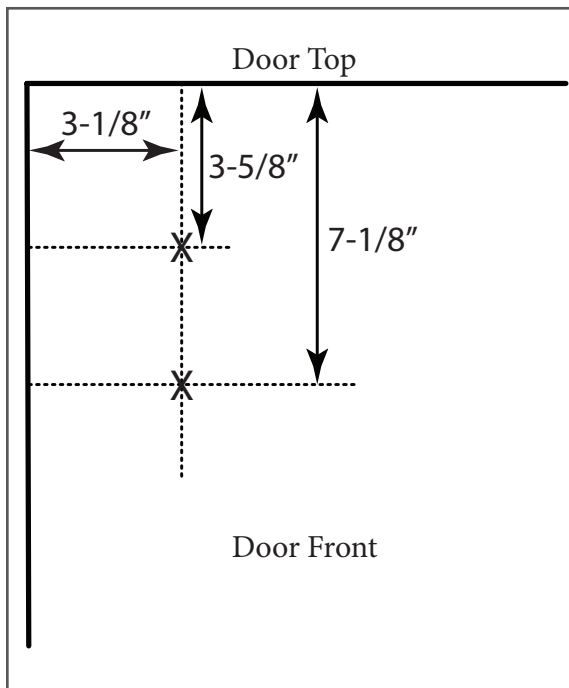
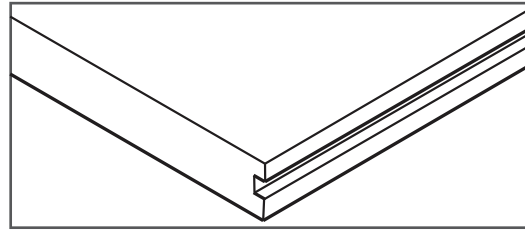


Figure 1

HANGER INSTALLATION

1. Lay the door with the front facing up on a flat, level surface.
2. Measure 3-1/8" from the edge of the door and draw a line parallel to the door edge about 7-1/2 inches in length (Figure 1).
3. Measure 3-5/8" from the top of the door. Using a pencil, mark the top hanger hole on the vertical line (Figure 1).
4. Measure 7-1/8" from the top of the door. Mark the bottom hanger hole on the vertical line (Figure 1).
5. Repeat steps 2-4 for the opposite end of the door. Set the hangers aside.

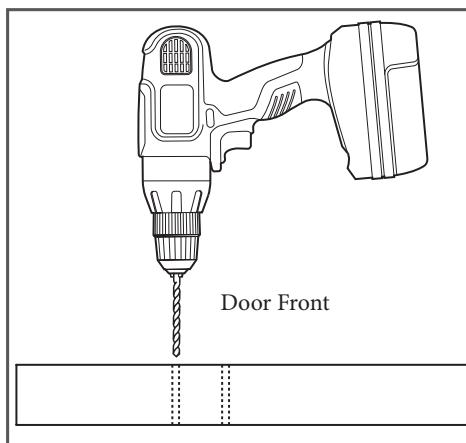


Figure 2

6. Drill two pilot holes all the way through the door for each hanger using a drill with an 1/8" drill bit (Figure 2).

RIPPLE HANGER Assembly Instructions

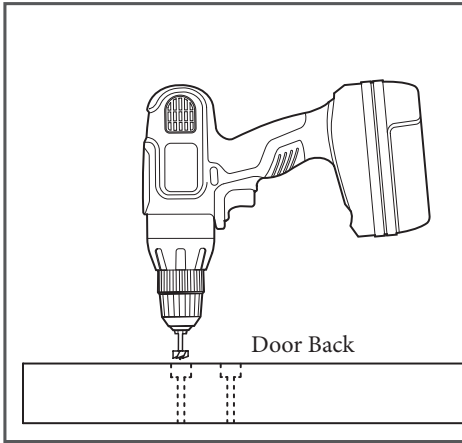


Figure 3

7. Turn the door over. Using a 1-1/8" Forstner bit*, drill a 1/2" deep hole into each pilot hole (Figure 3).

*A 1-1/8" Spade bit may be used in place of a Forstner bit.

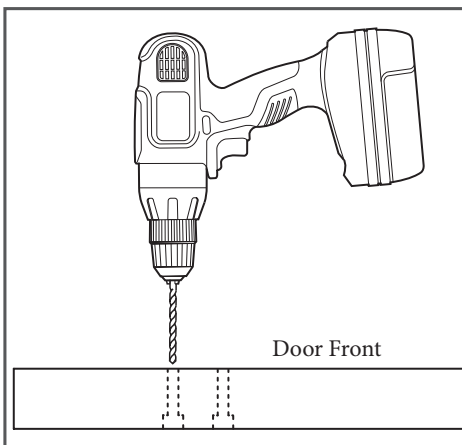


Figure 4

8. Turn the door over, returning it to the face-up position. Drill all the way through the pilot holes using a drill with a 1/2" drill bit (Figure 4).

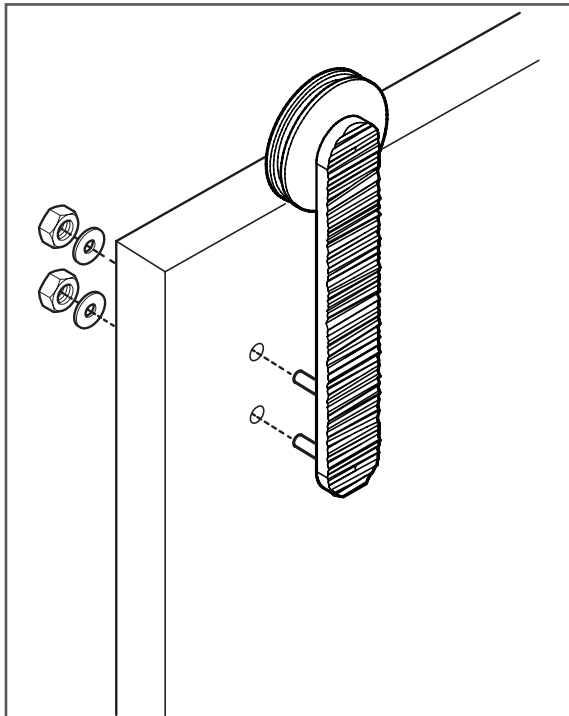


Figure 5

9. Install the hangers to the front of the door using hex nuts and washers (provided) (Figure 5).

FIRST THINGS FIRST

Check to see if the floor below the track area is level. If the floor rises more than 1/2" the door may rub or not slide open completely. If the floor is not level, measure from the highest point of the floor surface to the recommended track placement and adjust track placement accordingly.

Ensure the track brackets will be installed onto wall studs. If wall studs are not lining up with the installation a header will be required to provide the necessary strength and stability for the track and door.

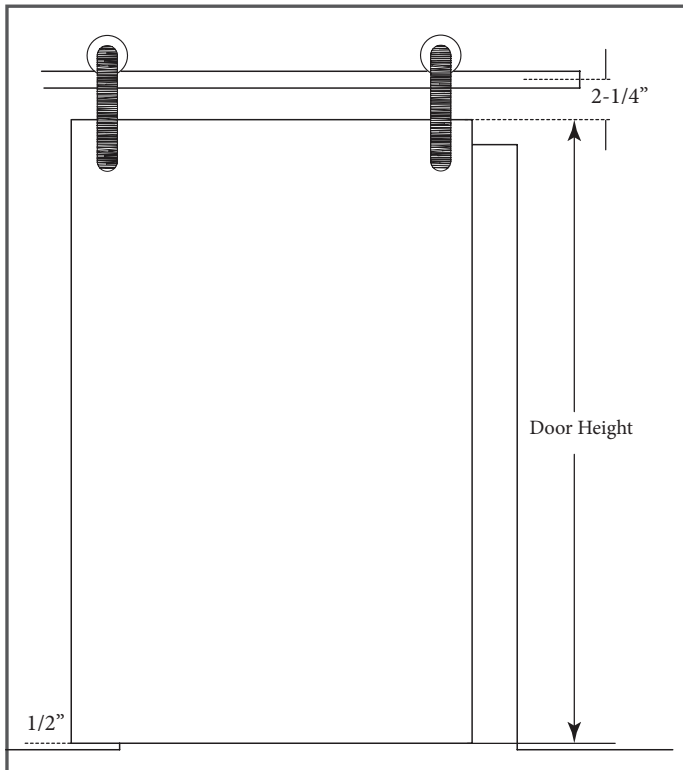


Figure 1

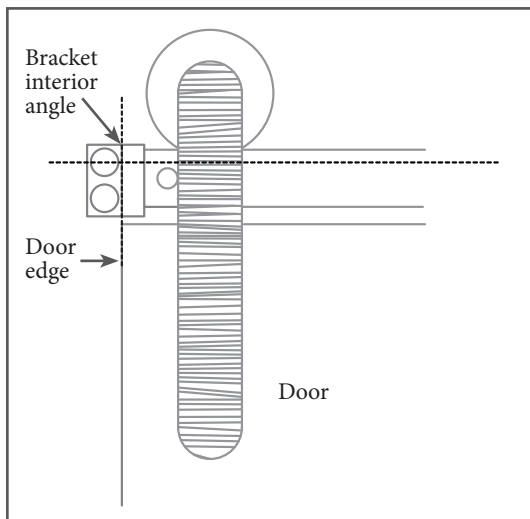


Figure 2

TRACK & DOOR INSTALLATION

1. To determine where the track should be installed, first measure the height of the door, then add 2-3/4" to the door height. 1/2" will be for the clearance between the bottom edge of the door and the floor. 2-1/4" will be from the top edge of the door to the center of the track. (Figure 1).

2. Using a level and a pencil, make a line above the doorway.

3. The interior angle of the bracket should be in line with the edge of the door. This is individual preference and will depend on how far beyond the doorway the door will overlap. Draw a vertical line where the door will hang in the closed position (Figure 2).

4. Position an end bracket so the interior angle of the bracket is in line with the vertical line and the line above the door is centered in the top hole of the bracket (Figure 2). Using a pencil, mark the position of both top and bottom holes.

RIPPLE HANGER Installation Instructions

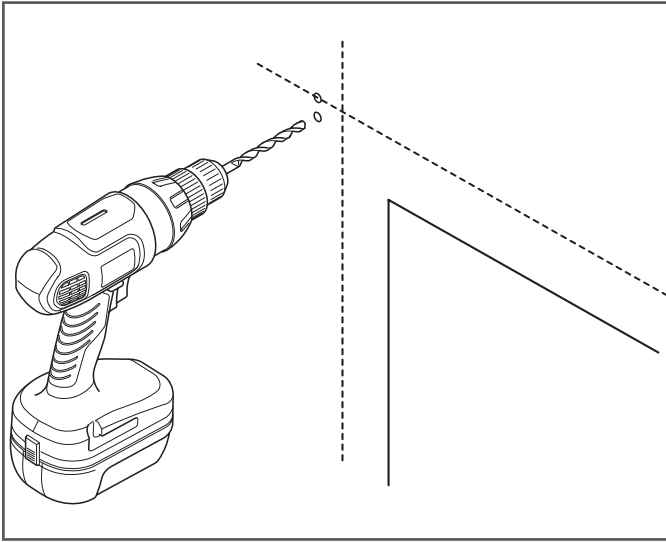


Figure 3

5. Drill out the marked holes using a drill with a 1/4" drill bit (Figure 3).

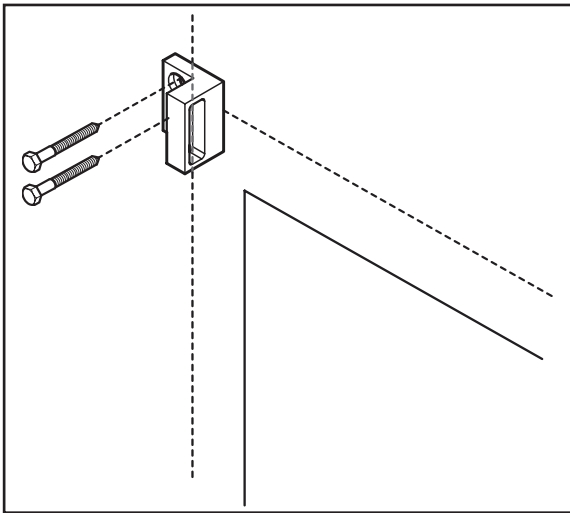


Figure 4

6. Attach the end bracket using two lag screws (provided) using a socket wrench with 9/16" socket (Figure 4).

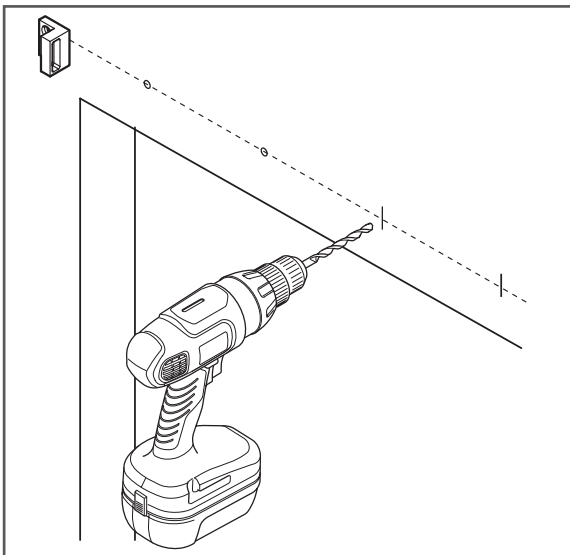


Figure 5

7. Measure and drill holes for center spacer brackets along the line drawn above the doorway (Figure 5).

NOTE:
Ensure all spacer brackets are located on a wall stud. If studs don't align with the installation, a header will be required.

RIPPLE HANGER Installation Instructions

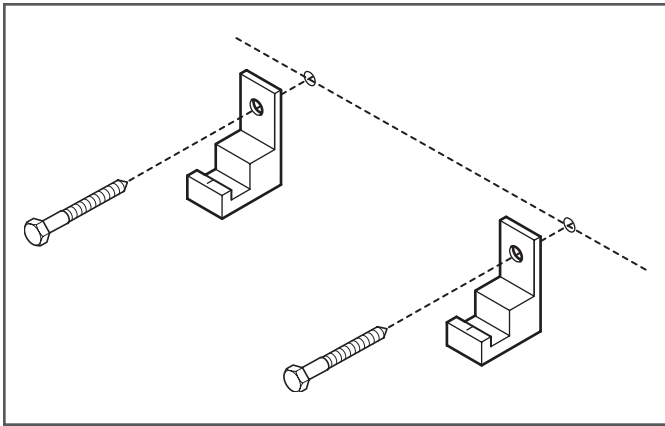


Figure 6

8. Install center spacer brackets using lag screws (provided) (Figure 6).

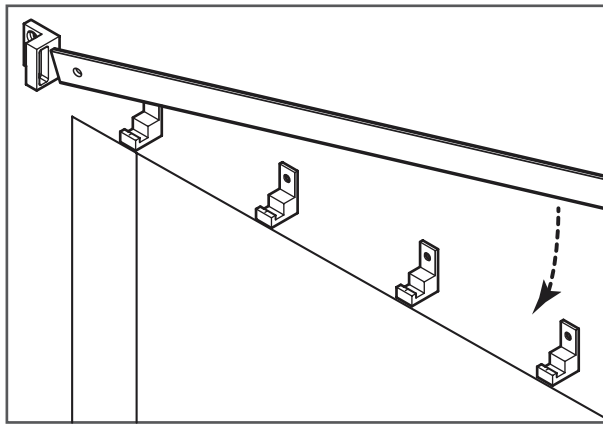


Figure 7

9. Install the track at an angle, inserting the end of the track into the end bracket and laying the track in the groove of the center spacer brackets (Figure 7).

NOTE:
Ensure the notched side of the track is facing up with the taller side facing out.

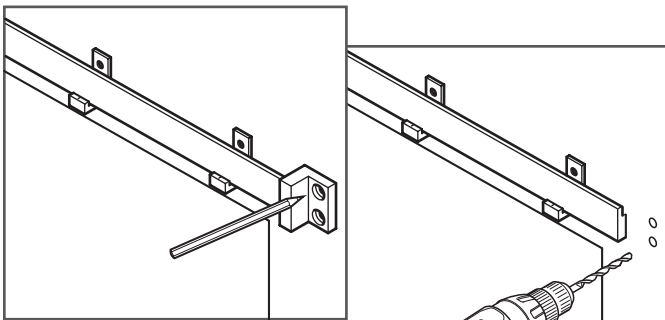


Figure 8

10. Slide the remaining end bracket onto the end of the track. Mark the holes for the end bracket using a pencil (Figure 8). Set the bracket aside.

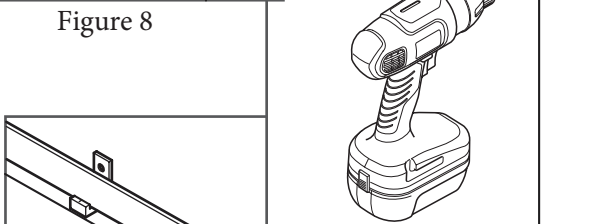


Figure 9

11 Drill out the marked holes using a drill with a 1/4" drill bit (Figure 9).

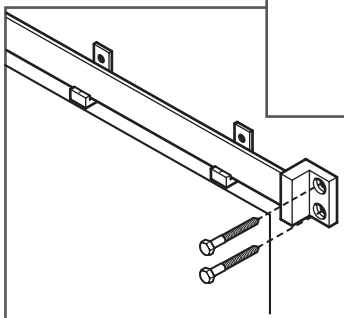


Figure 10

12. Install the end bracket using two lag screws (provided) (Figure 10).

RIPPLE HANGER Installation Instructions

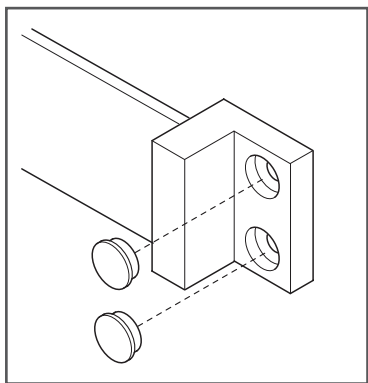


Figure 11

13. Install hole plugs over the end bracket screws (Figure 11).

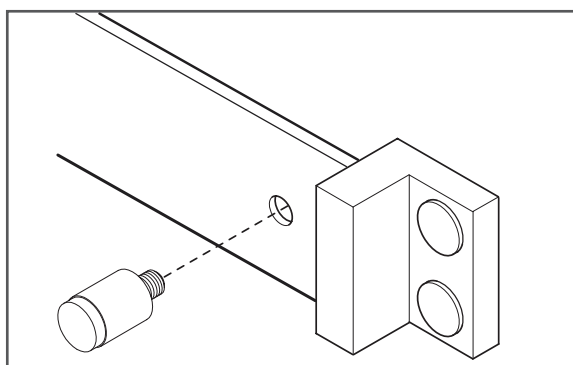


Figure 12

14. Install the soft stop (Figure 12).

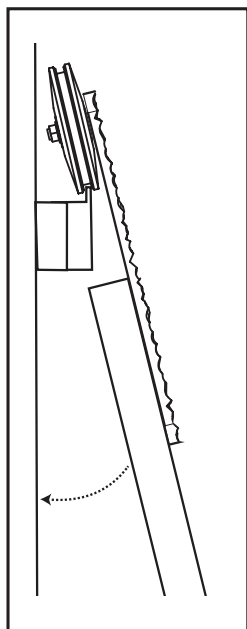


Figure 13

15. Hang the door (Figure 13).

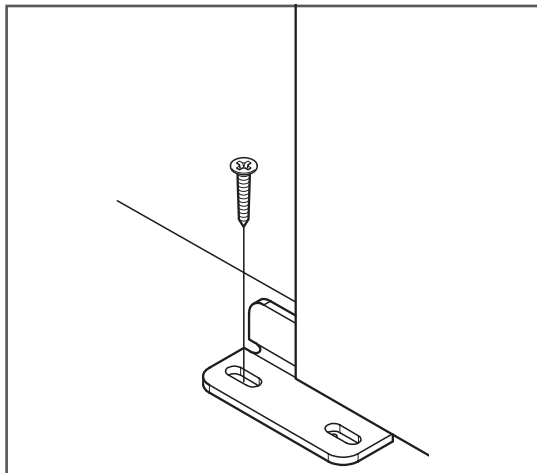


Figure 14

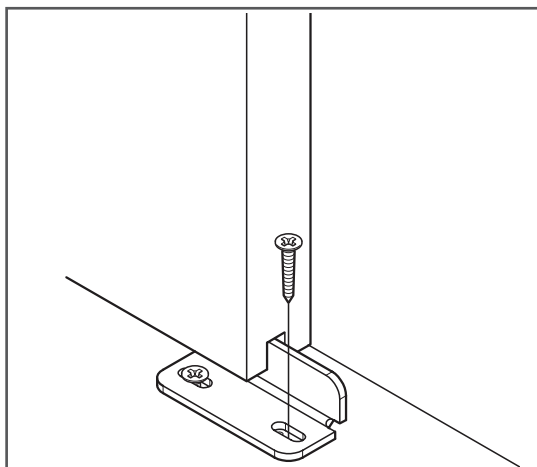


Figure 15

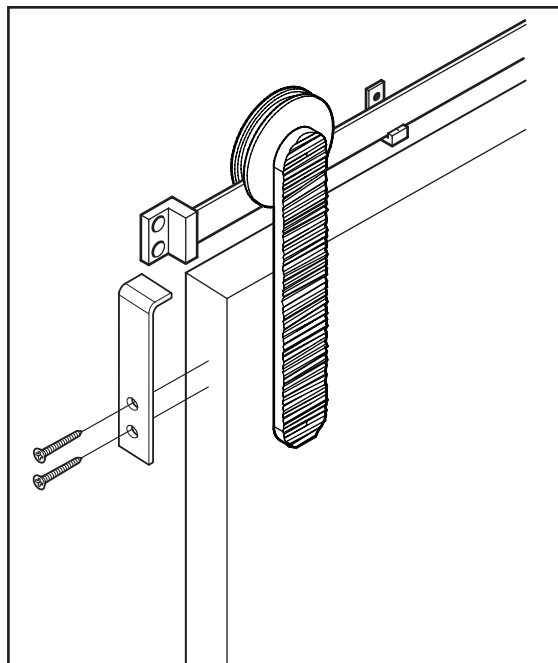


Figure 16

DOOR GUIDE INSTALLATION

16. With the door in the closed position, ensure the door is hanging straight using a bubble level.

17. Position the Door Guide part way into the groove in the bottom of the door (Figure 14).

SUGGESTION:

Use double stick tape on the bottom of the door guide to hold the guide in place.

18. Install the Door Guide using a 1" phillips screw (provided) and a drill with a phillips bit.

19. Slide the door toward the open position until the other side of the Door Guide is exposed.

20. Install the second 1" phillips screw (provided) using a drill with a phillips bit (Figure 15).

ANTI-JUMP GUIDE INSTALLATION

21. Place the Anti-Jump bracket on the door side, moving the bracket up until it is between 1/8" and 1/16" from the bottom edge of the rail. Mark the placement with a pencil.

SUGGESTION:

Use double stick tape on the back of the anti-jump bracket to hold it in place on the door.

22. Install the bracket to the door edge with 2 phillips screws (provided) using a drill with a phillips bit (Figure 16).

23. Repeat steps 21 and 22 for the opposite end of the door.

WE LOVE WHAT YOU ARE DOING WITH THE PLACE

CONGRATULATIONS ON YOUR DECISION TO BRING HOME
AN AMERICAN MADE PRODUCT OF THE HIGHEST QUALITY.
WE HOPE YOUR RIPPLE HANGER BRINGS ART AND FUNCTION INTO
YOUR LIFE.

DESIGNED AND CRAFTED
ENTIRELY IN THE

U.S.A.



DON'T BE A STRANGER. FOLLOW US
ON SOCIAL MEDIA.



support@rusticahardware.com