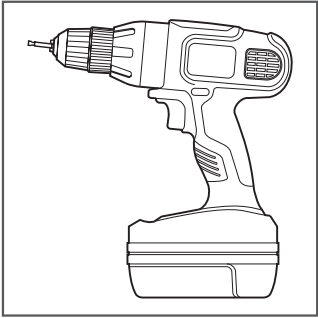


# ROCKWELL 4-IN-1 SLIDING DOOR

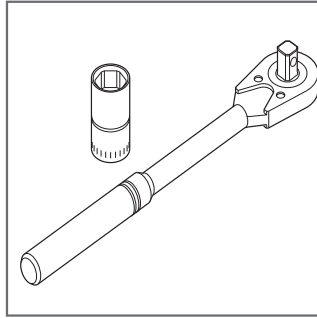
## ASSEMBLY INSTRUCTIONS



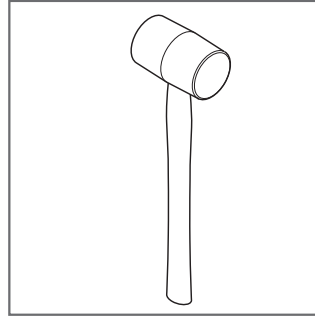
## ROCKWELL 4-IN-1 SLIDING DOOR Recommended Tools



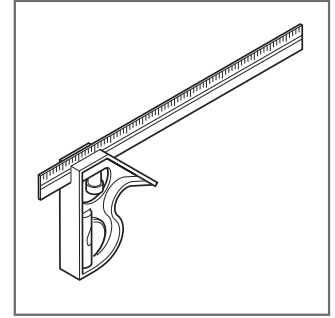
Drill with Phillips Bit



Socket Wrench with  
7/16" Socket

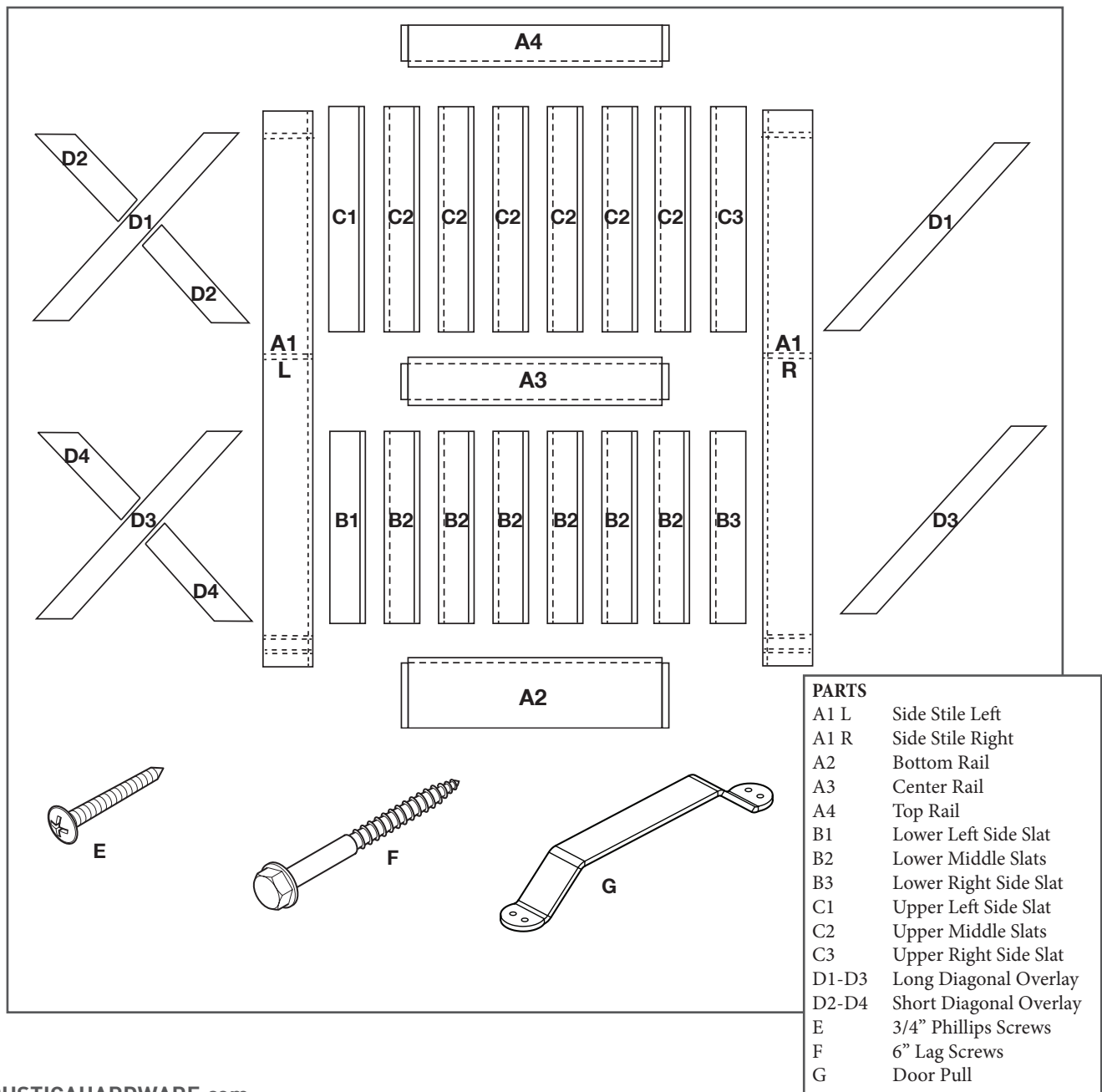


Rubber Mallet

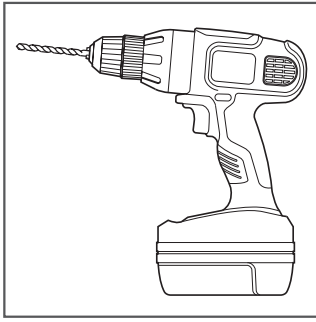


Adjustable Square

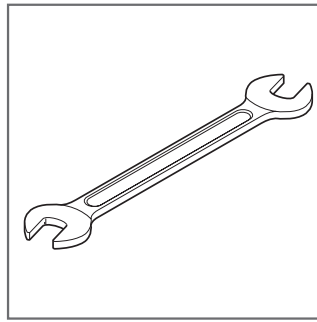
## ROCKWELL 4-IN-1 SLIDING DOOR Parts



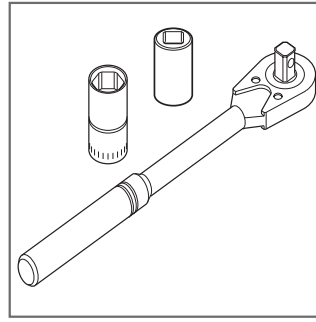
## ROCKWELL 4-IN-1 HANGER Recommended Tools



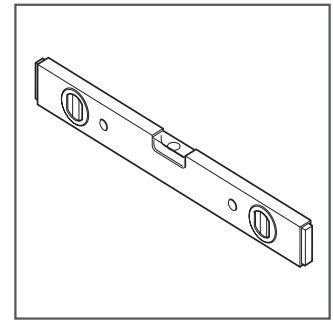
Drill with 1/8", 1/4", and 3/8" Drill Bits, 1-1/8" Forstner Bit or 1-1/8" Spade Bit, and Phillips Bit



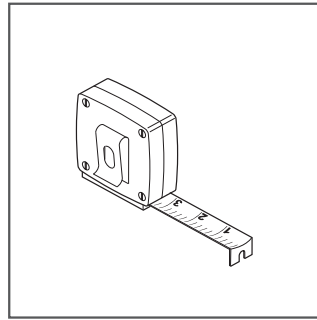
9/16" and 5/8" Combination Wrench



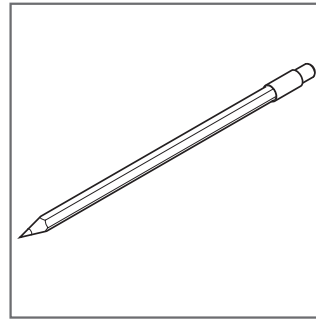
Socket Wrench with 9/16" and 5/8" Sockets



Level

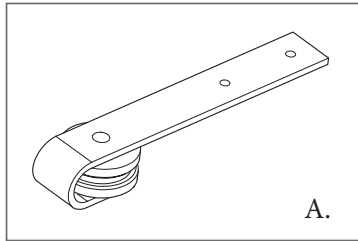


Tape Measure

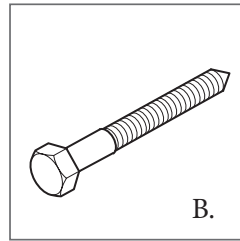


Pencil

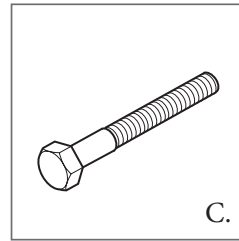
## ROCKWELL 4-IN-1 HANGER Parts



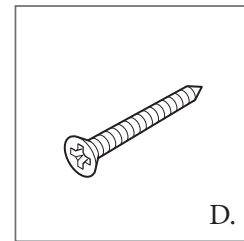
A.



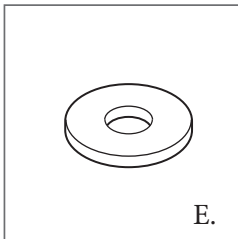
B.



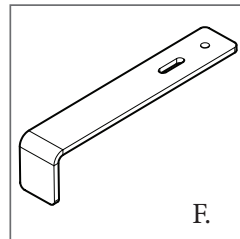
C.



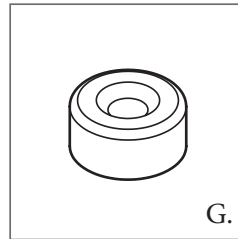
D.



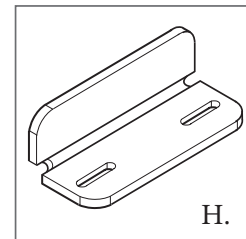
E.



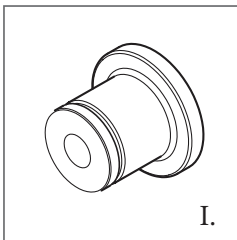
F.



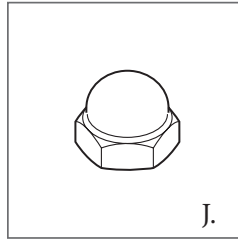
G.



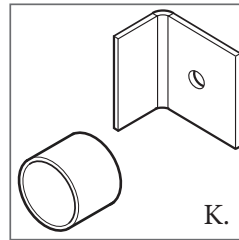
H.



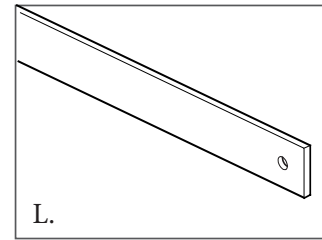
I.



J.



K.



L.

### PARTS

A. Hanger Assembly

B. Lag Screw

C. Hex Bolt

D. Phillips Screw

\*For use on bi-parting door systems.

E. 1" Washer

F. Anti-jump Bracket

G. Anti-jump Block\*

H. Door Guide

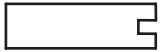

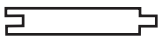


I. Adjustable Spacers

J. Acorn Nut

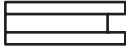
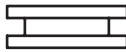
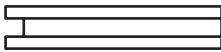
K. Hard Stop & Rubber Bumper

L. Track

# ROCKWELL 4-IN-1 SLIDING DOOR Before You Begin

| A L Stile   | B1/C1 Slat  | All B2/C2 Slats   | B3/C3 Slat   | A R Stile   |
|---|---|---|--|---|
|  |  |  |  |  |

Slat and Stile End Views

| Top Rail  | Middle Rail   | Bottom Rail  |
|---|---|--|
|  |  |  |

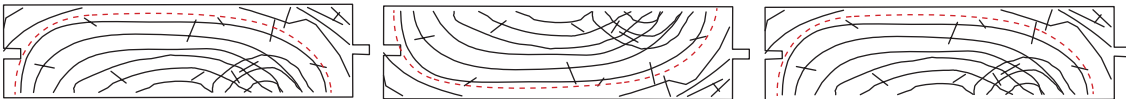
Rail End Views

## FIRST THINGS FIRST

Lay out all wood parts before beginning assembly to ensure parts have not been damaged in shipping. If damage has occurred, call 800-891-8312 and Rustica Hardware will expedite a replacement.

**NOTE:**

This door model comes in various sizes. The instructions have been written for the average single door size; but larger doors may have more wood and fastener parts.

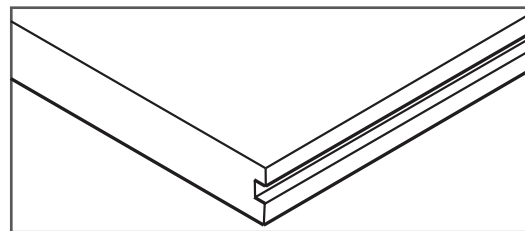


**NOTE:**

Always alternate the direction of the wood grain when assembling slats. This will add strength to the assembly and help prevent warpage.

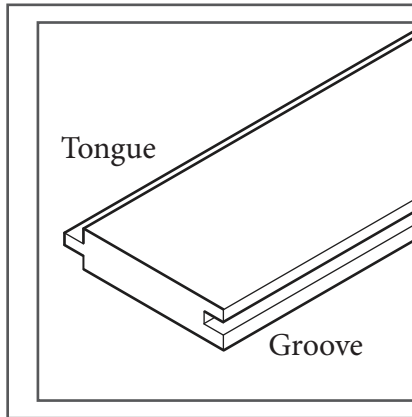
**NOTE:**

Doors using Floor Mount Door Guides will have a groove on the bottom edge. Ensure this groove is on the bottom when hanging the door.



**USE TEAMWORK - WE RECOMMEND TWO PEOPLE FOR THIS BUILD.**

# ROCKWELL 4-IN-1 SLIDING DOOR Assembly Instructions



## By Definition:

### Tongue and Groove

Tongue refers to the ridge extending beyond the main portion of the slat. Groove refers to the slot cut into the other side of the slat.

## NOTE:

The following should be a 'dry' assembly. Do not use adhesives in when putting this door together.

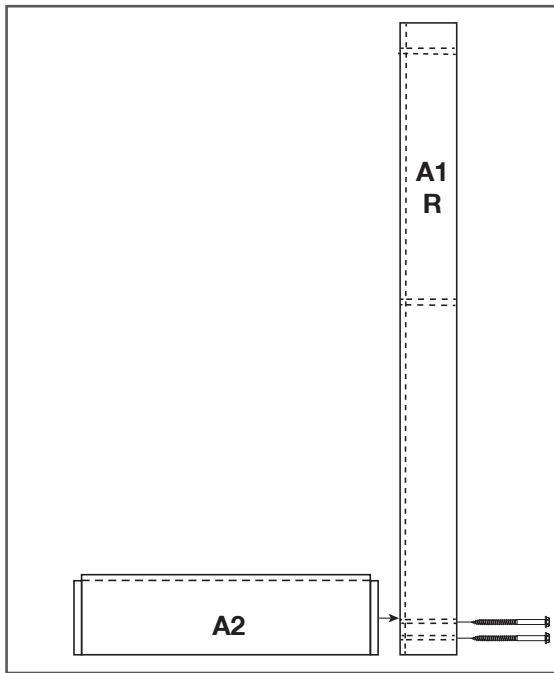


Figure 1

1. Using a rubber mallet, gently tap the lower rail (A2) into the bottom of the right stile rail (A1R). Attach the bottom rail to the side stile using a socket wrench with a 7/16" socket and two lag screws (D) (Figure 1).

## SUGGESTION

Use an adjustable or fixed carpenter's square to ensure all sides of the door are square to each other.

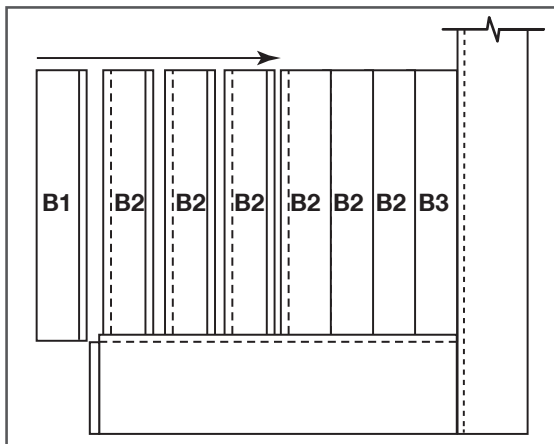


Figure 2

2. Beginning with the lower right side slat (B3) slide the lower slats (B2) with the tongue facing to the right, into the groove of the bottom rail one at a time, ending with the lower left side slat (B1). Tap each in place with the rubber mallet (Figure 2).

# ROCKWELL 4-IN-1 SLIDING DOOR Assembly Instructions

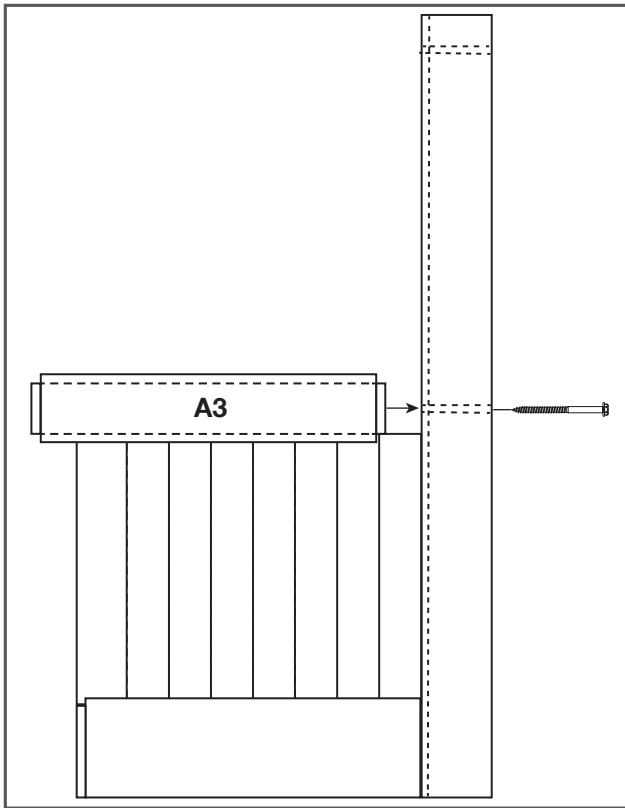


Figure 3

3. Slide the center rail (A3) lower groove over the top of the lower slats. Tap with a rubber mallet into the right side stile. Attach the middle rail to the right stile rail using a socket wrench with a 7/16" socket and one lag screw (D) (Figure 3).

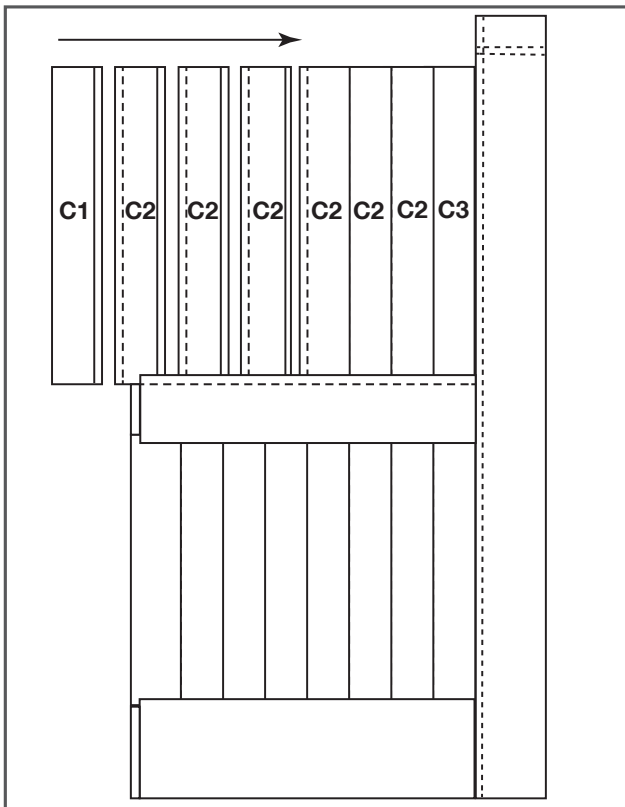


Figure 4

4. Beginning with the upper right side slat (C3) slide the upper slats (C2) into the groove of the center rail (A3) one at a time, ending with the upper left side slat (C1). Tap each in place with the rubber mallet (Figure 4).

# ROCKWELL 4-IN-1 SLIDING DOOR Assembly Instructions

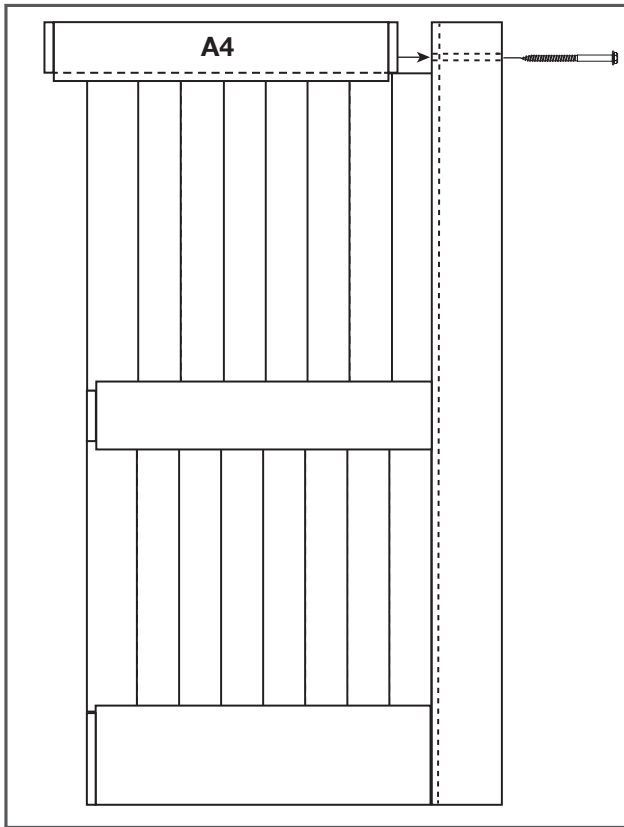


Figure 5

5. Slide the top rail (A4) lower groove over the top of the upper slats. Tap with a rubber mallet into the right side rail. Attach the upper rail to the right side stile using a socket wrench with a 7/16" socket and one lag screw (D) (Figure 5).

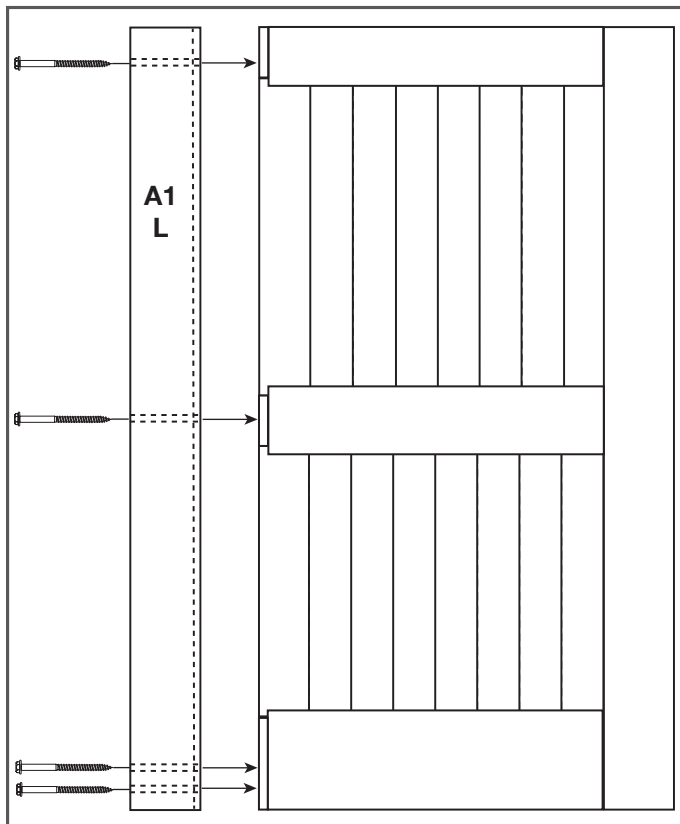
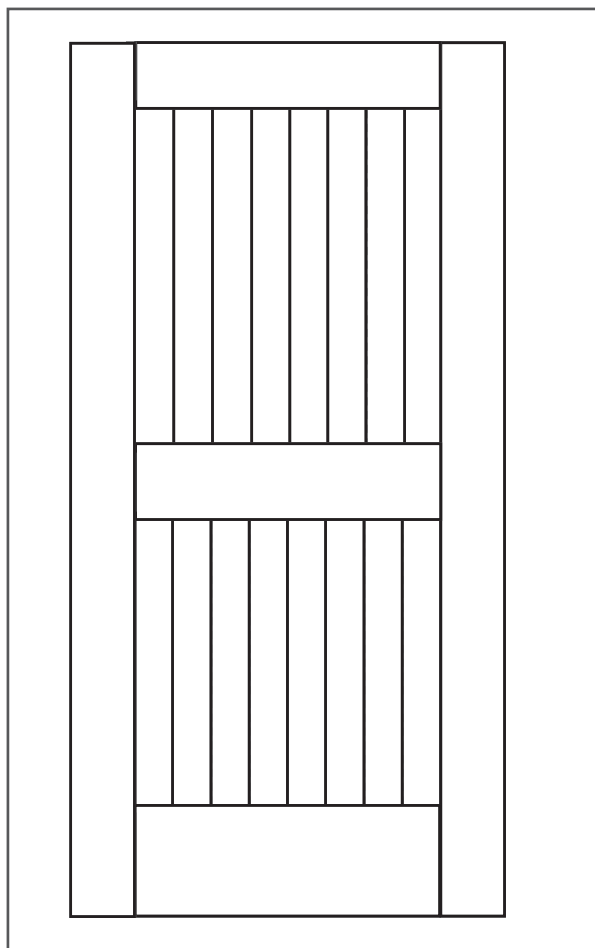


Figure 6

6. Carefully align the left side stile (A1L) to the top, middle, and bottom rails and the top and bottom slats. Gently tap in place with a rubber mallet. Attach to the top, middle, and bottom rails using a socket wrench with a 7/16" socket and the remaining 4 lag screws (D) (Figure 6).

## DOOR CONFIGURATIONS

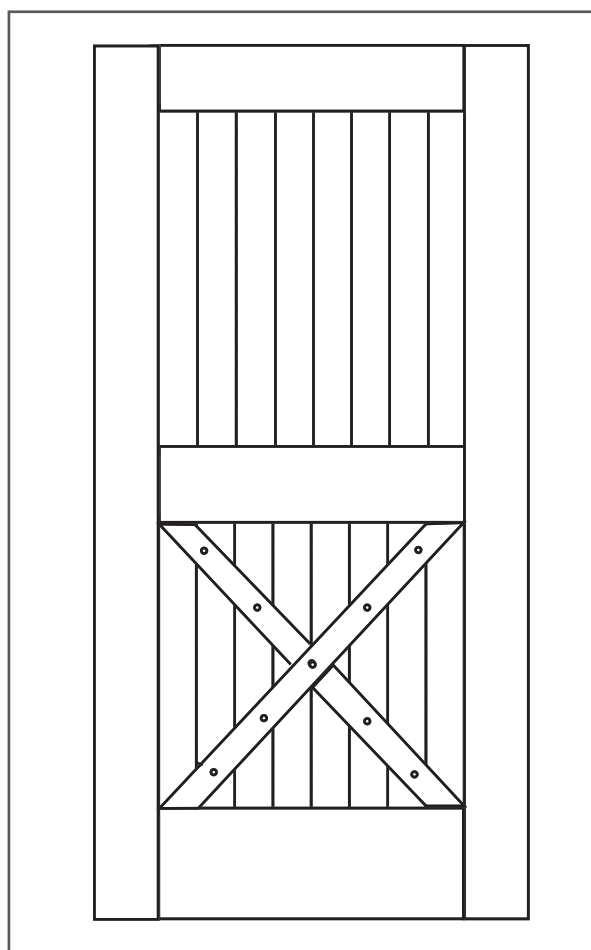


### PLAIN

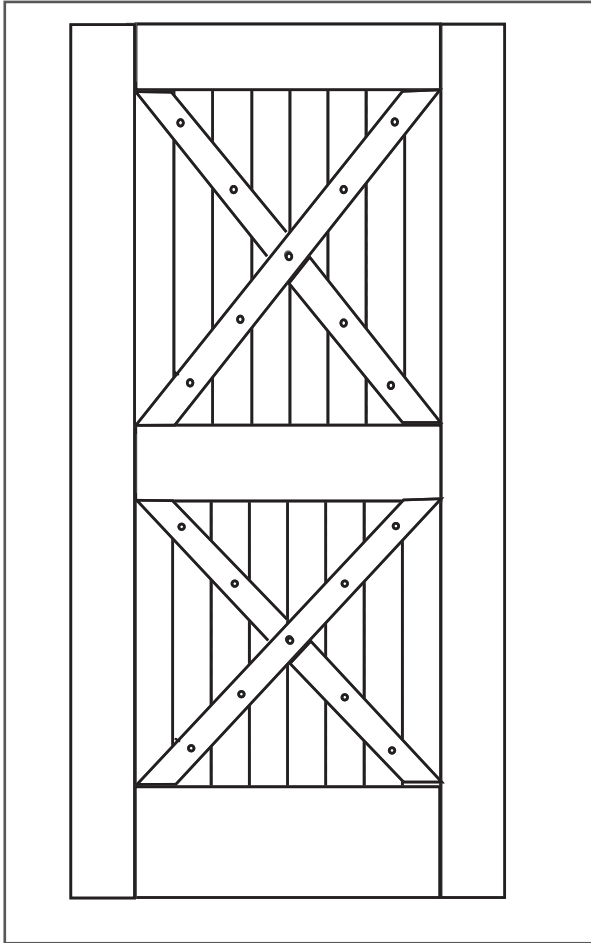
7a. Once the door is assembled it is ready for pull and hanger installation.

### SINGLE X

7b. Place diagonal rails onto the bottom door panel with the pre-drilled holes facing up. Attach rails using 3/4" phillips screws (provided) and a drill with a phillips bit.





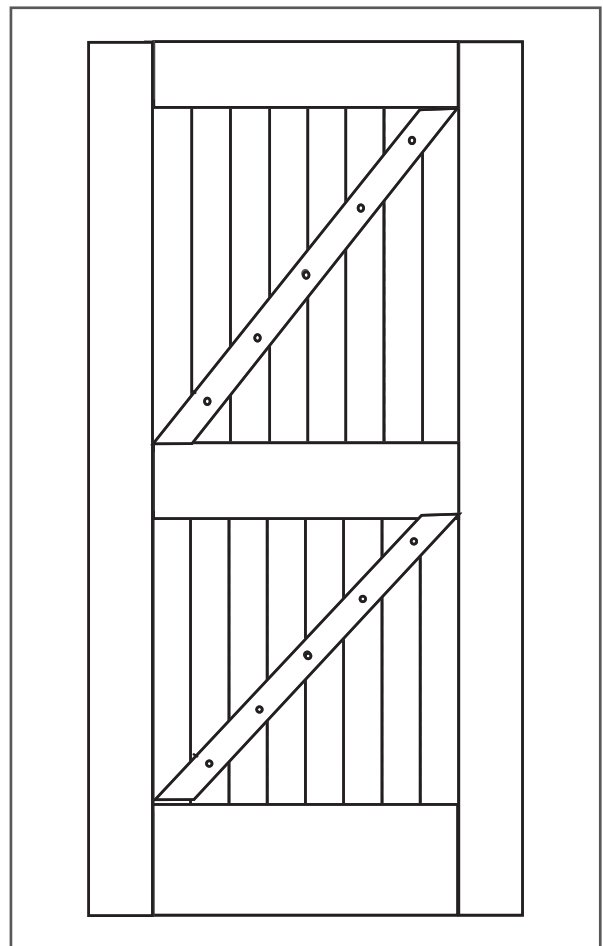


## DOUBLE X

7c. Place diagonal rails onto the top and bottom door panel with the pre-drilled holes facing up. Attach rails using 3/4" phillips screws (provided) and a drill with a phillips bit.

## DOUBLE Z

7d. Place single diagonal rails onto the top and bottom door panel with the pre-drilled holes facing up. Attach rails using 3/4" phillips screws (provided) and a drill with a phillips bit.



# ROCKWELL 4-IN-1 HANGER Assembly Instructions

## NOTE:

Doors using Floor Mount Door Guides will have a groove on the bottom. Ensure this groove is on the opposite end of the Door Hanger Installation.

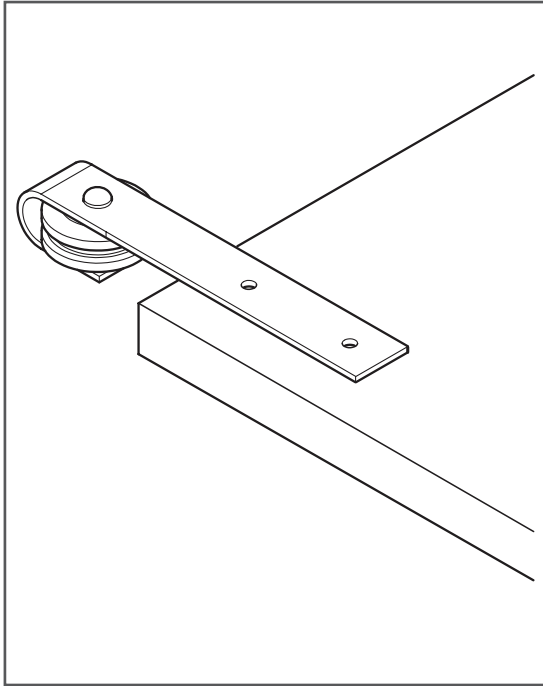
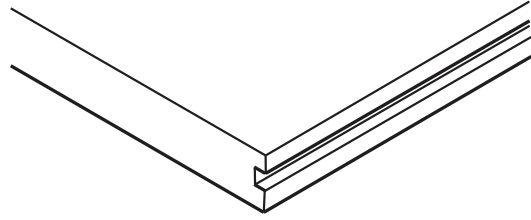


Figure 1

1. Lay the door with the front facing up on a flat, level surface.

2. Place the hanger on the door (Figure 1).

3. Adjust the placement of the hanger for a 2-3/8" gap between the top of the door and the bottom edge of the wheel. Ensure the side of the hanger is resting 2" from the edge of the door (Figure 2).

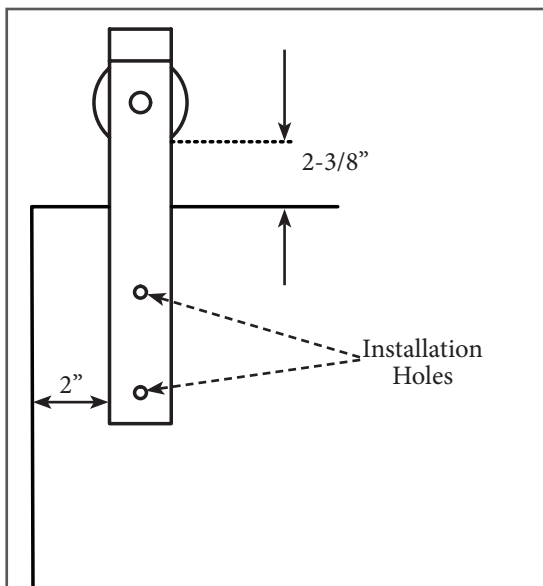


Figure 2

4. Mark the center of each installation hole with a pencil. (Figure 2).

5. Repeat steps 2-4 for the opposite end of the door. Set the hangers aside.

# ROCKWELL 4-IN-1 HANGER Assembly Instructions

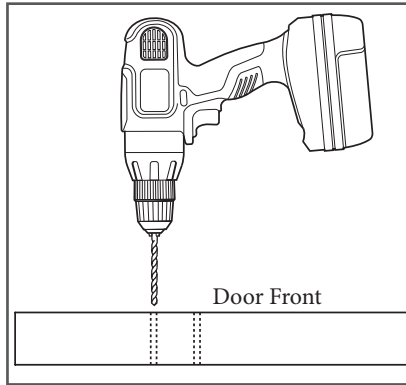


Figure 3

6. Drill two pilot holes all the way through the door for each hanger using a drill with an 1/8" drill bit (Figure 3).

7. Turn the door over. Using a 1-1/8" Forstner bit\*, drill a 7/16" deep hole into each pilot hole (Figure 4).

\*A 1-1/8" Spade bit may be used in place of a Forstner bit.

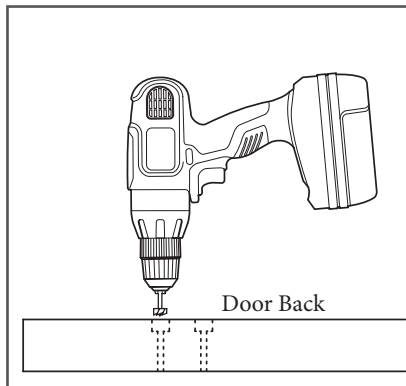


Figure 4

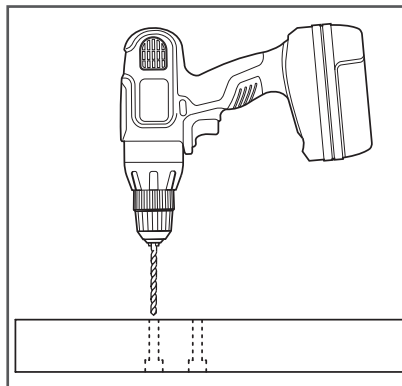


Figure 5

8. Turn the door over, returning it to the face-up position. Drill all the way through the pilot holes using a drill with a 3/8" drill bit (Figure 5).

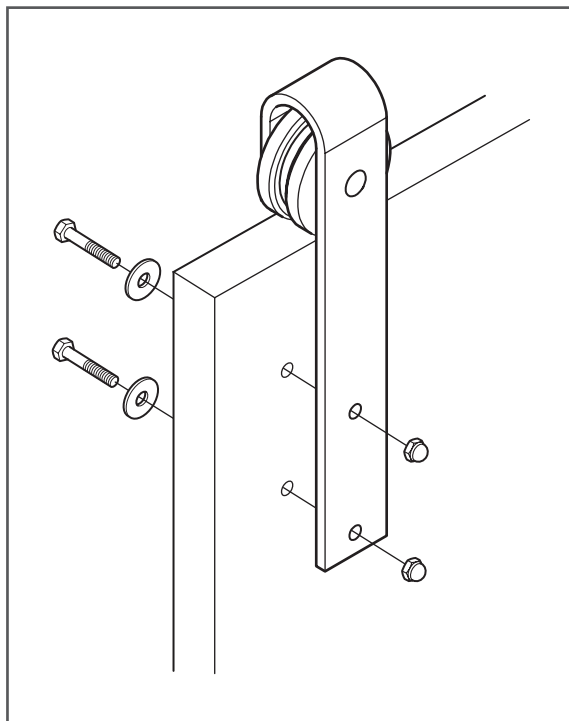


Figure 6

9. Install the hangers to the front of the door using hex bolts, washers, and acorn nuts (provided) (figure 6).

## FIRST THINGS FIRST

Check to see if the floor below the track area is level. If the floor rises more than 1/2" the door may rub or not slide open completely. If the floor is not level, measure from the highest point of the floor surface to the recommended track placement and adjust track placement accordingly.

Ensure the track will be installed onto wall studs. If wall studs are not lining up with the installation a header will be required to provide the necessary strength and stability for the track and door.

## TRACK & DOOR INSTALLATION

1. To determine where the track should be installed, first measure the height of the door, then add 2-1/8" to the door length. 1/2" will be for the clearance between the bottom edge of the door and the floor. 1-5/8" will be from the top edge of the door to the center of the track. (Figure 1).

2. Using a level and a pencil, make a line above the doorway the same length as the track.

3. Hold the track up to where the pencil line is visible through the holes in the track (Figure 2).

**SUGGESTION:**  
Use pieces of double stick tape on the back of the track to help hold the track in place while completing steps 2 and 3.

4. Mark an intersecting line in the center of each track hole (Figure 2).

5. Take the track down, remove double stick tape (if used) and set the track aside.

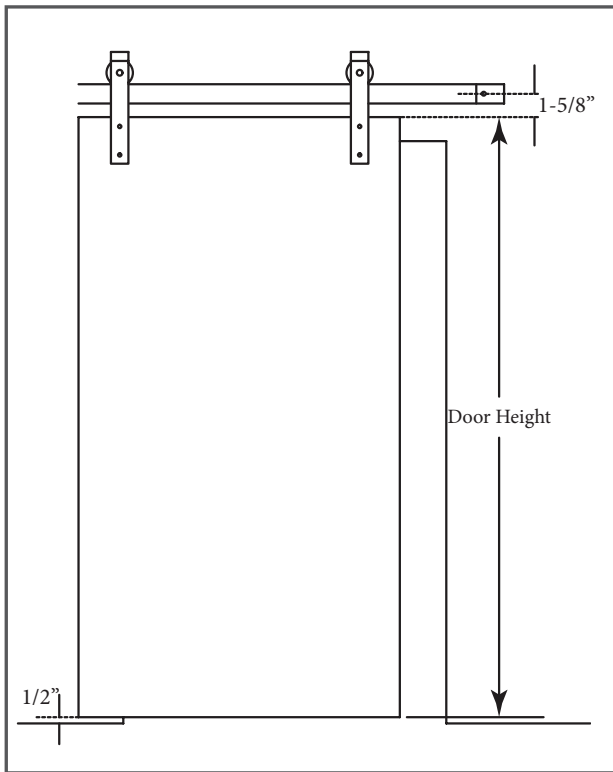


Figure 1

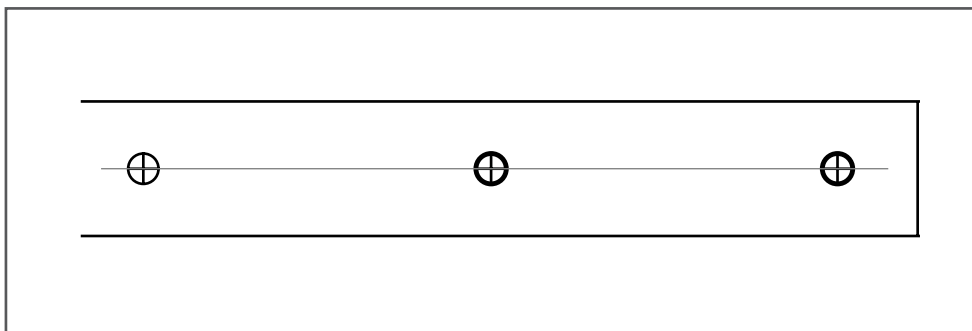


Figure 2

# ROCKWELL 4-IN-1 HANGER Assembly Instructions

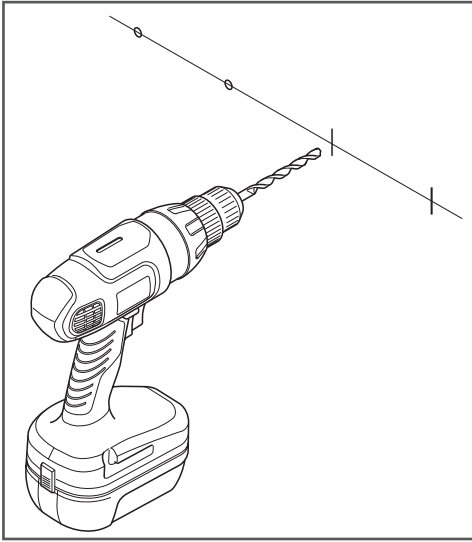


Figure 3

6. Drill out the marked holes using a drill with a 1/4" drill bit (Figure 3).

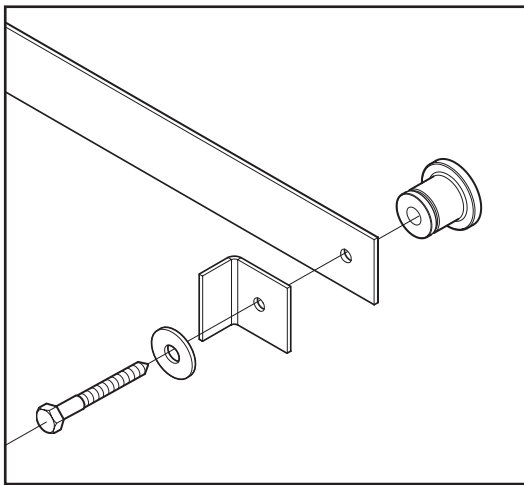


Figure 4

7. Attach one end of the track to the wall with one hard stop, one lag screw, and one washer (provided) using a socket wrench with 9/16" socket (Figure 4). Do not tighten.

8. Repeat step 7 for the other end of the track.

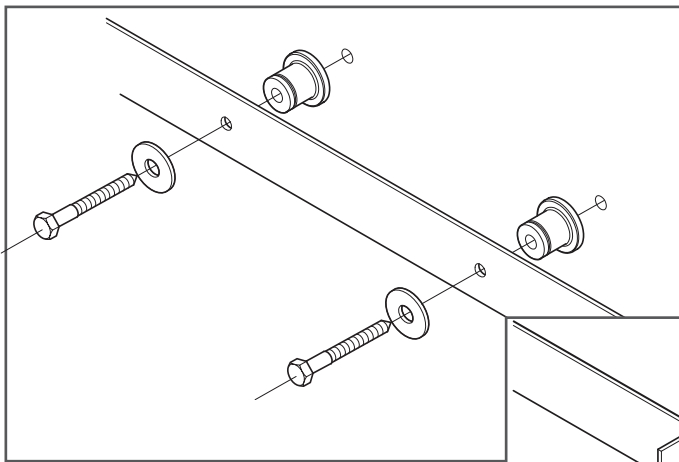


Figure 5

9. Install remaining spacers with lag screws and washers (provided) using a 9/16" socket wrench (Figure 5). Tighten all lag screws.

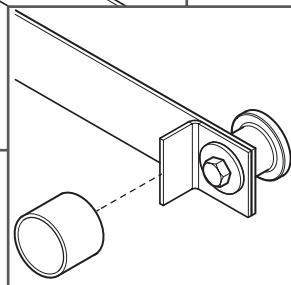


Figure 5A

10. Stretch rubber bumper (provided) over hard stop. Repeat for the hard stop on the other end of the track (Figure 5A).

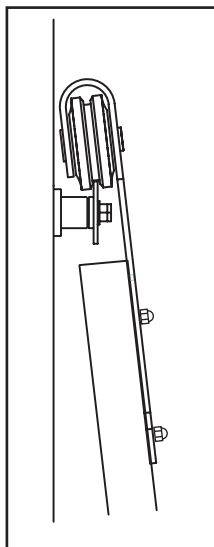


Figure 6

11. Hang the door (Figure 6).

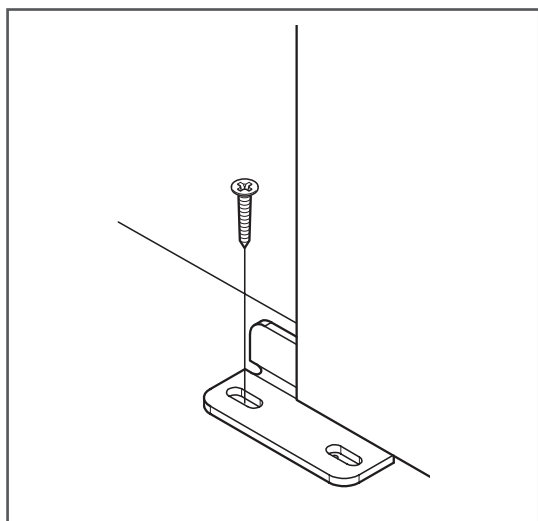


Figure 7

## DOOR GUIDE INSTALLATION

12. With the door in the closed position, ensure the door is hanging straight using a bubble level.

13. Position the Door Guide part way into the groove in the bottom of the door (Figure 7).

### SUGGESTION:

Use double stick tape on the bottom of the door guide to hold the guide in place.

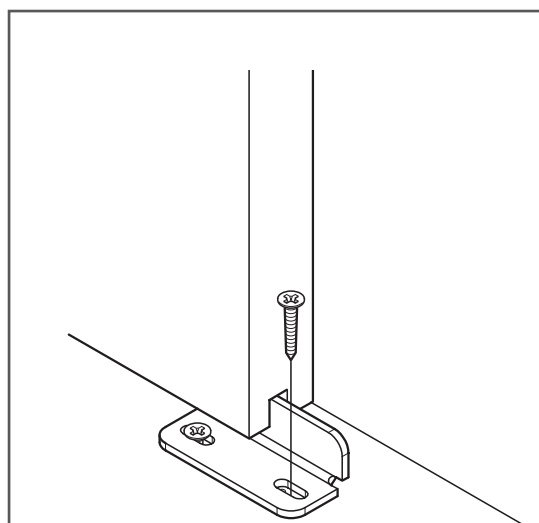


Figure 8

14. Install the Door Guide using a 1" phillips screw (provided) and a drill with a phillips bit.

15. Slide the door toward the open position until the other side of the Door Guide is exposed.

16. Install the second 1" phillips screw (provided) using a drill with a phillips bit (Figure 8).

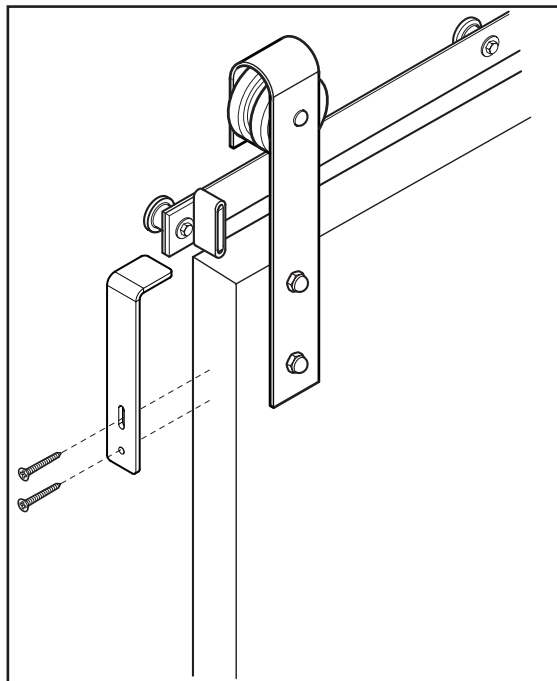


Figure 9

## ANTI-JUMP GUIDE INSTALLATION

17. Place the Anti-Jump bracket on the door side, moving the bracket up until it is between 1/8" and 1/16" from the bottom edge of the rail. Mark the placement with a pencil.

18. Insert a phillips screw (provided) in the top slot using a drill with a phillips bit, but do not tighten. Make final adjustments to ensure proper placement by sliding the bracket into position. Tighten the screw (Figure 9).

19. Install second phillips screw (provided) using a drill with a phillips bit into the lower hole (Figure 9).

20. Repeat steps 17, 18, and 19 for the opposite end of the door.

## ANTI-JUMP BLOCK INSTALLATION FOR BI-PARTING DOORS

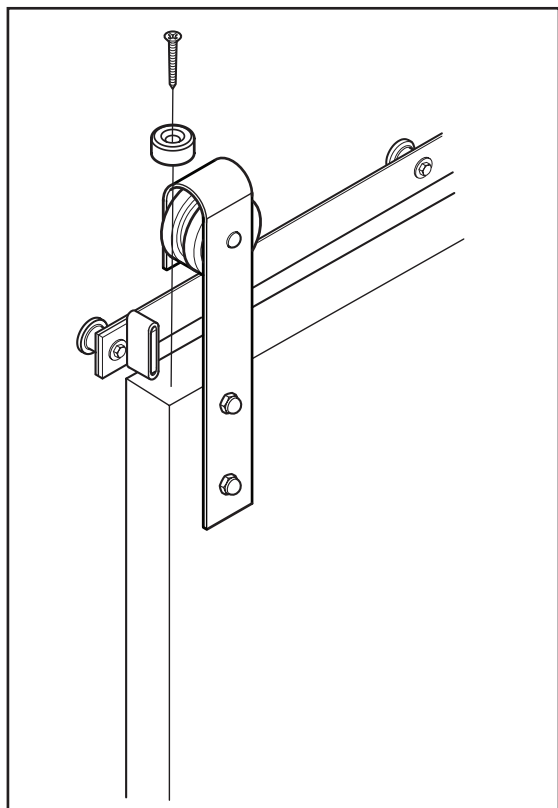


Figure 10

21. Place the Anti-Jump block on the top of the door (Figure 10). Using a drill with a phillips bit, install the the block with the 1" phillips screw (provided).

### SUGGESTION:

Use double stick tape on the back of the anti-jump block to hold it in place on the door.

22. Repeat step 21 for the opposite end of the door.

# WE LOVE WHAT YOU ARE DOING WITH THE PLACE

CONGRATULATIONS ON YOUR DECISION TO BRING HOME  
AN AMERICAN MADE PRODUCT OF THE HIGHEST QUALITY.  
WE HOPE YOUR ROCKWELL 4-IN-1 SLIDING DOOR BRINGS ART AND  
FUNCTION INTO YOUR LIFE.

DESIGNED AND CRAFTED  
ENTIRELY IN THE

# U.S.A.



DON'T BE A STRANGER. FOLLOW US  
ON SOCIAL MEDIA.



[support@rusticahardware.com](mailto:support@rusticahardware.com)