

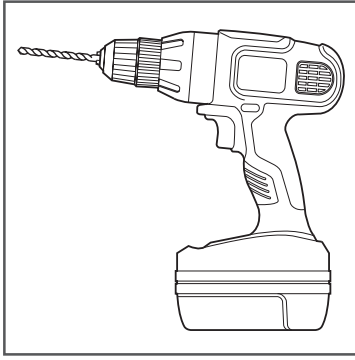


# **FIREPLACE MANTEL**

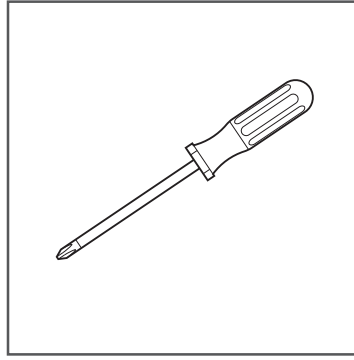
## **INSTALLATION INSTRUCTIONS**



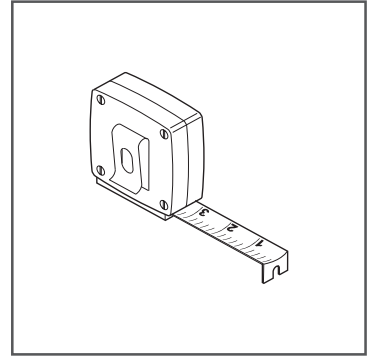
## FIREPLACE MANTEL Recommended Tools



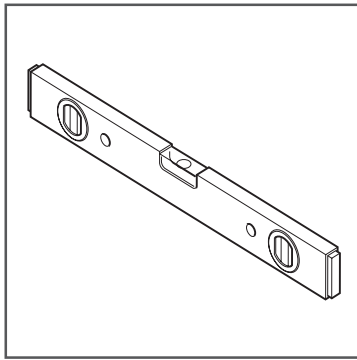
Drill with 1/8", Drill Bit, and  
Phillips Bit



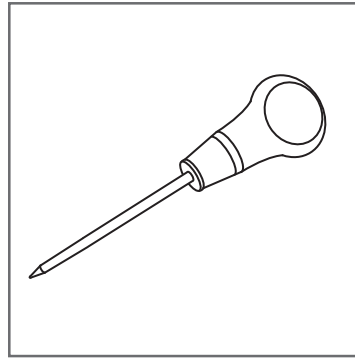
Phillips Screw Driver



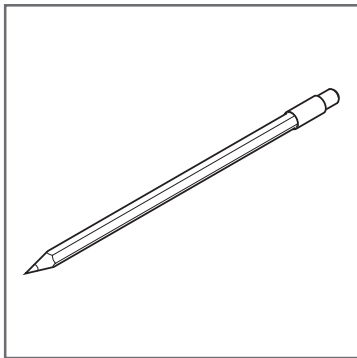
Tape Measure



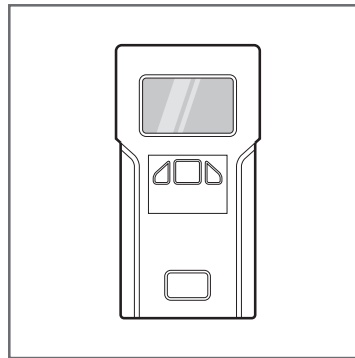
Level



Awl



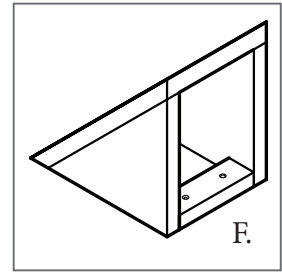
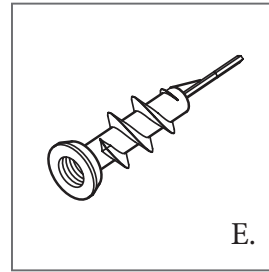
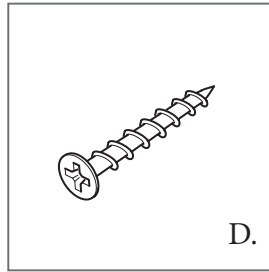
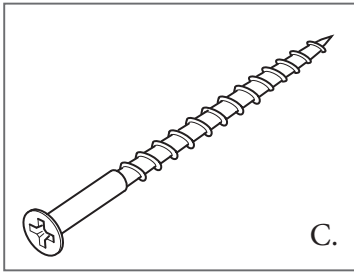
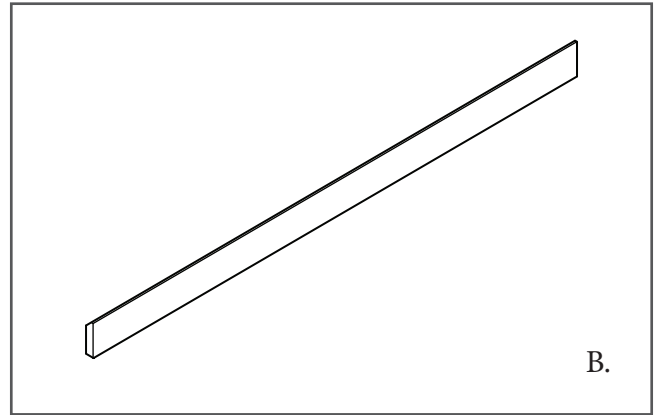
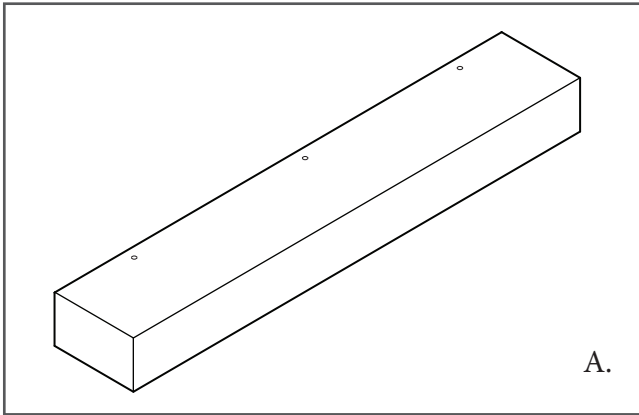
Pencil



Stud Finder

**USE TEAMWORK - WE RECOMMEND  
TWO PEOPLE FOR THIS INSTALLATION.**

## FIREPLACE MANTEL Parts



### PARTS

A. Mantel

B. Cleat

C. Phillips Head Drywall Anchor Screw 2-1/2"

D. Phillips Head Mantel Screw 1-1/4"

E. Drywall Anchor

F. Corbels (if included in order)

### NOTE:

The hardware provided for the mantel installation is intended for drywall installations only. For recommendations on installations involving brick or stone, see the end of this installation guide.

# MANTEL CORBEL Installation Instructions

**NOTE:**

If you have purchased a mantel without corbels, skip the corbel installation instructions and proceed to the mantel installation instructions on page 6.

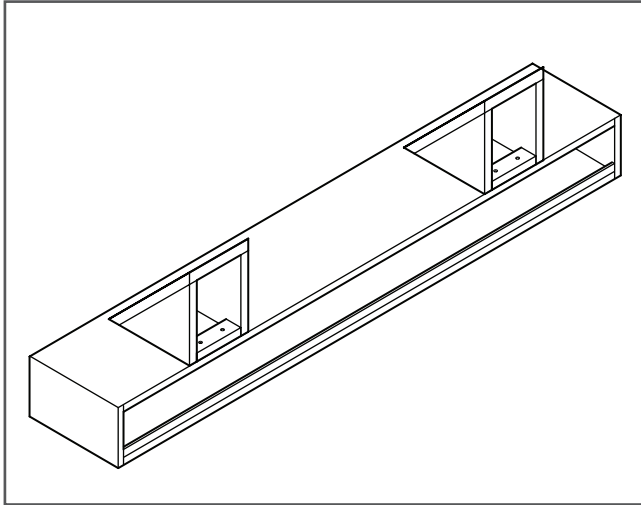


Figure 1

## CORBEL INSTALLATION

1. Lay the mantel upside down on a clean, level surface.
2. Place the corbels (F.) upside down in the desired position on the mantel bottom. Ensure that the back edge of the corbel is even with the back edge of the mantel (Figure 1).

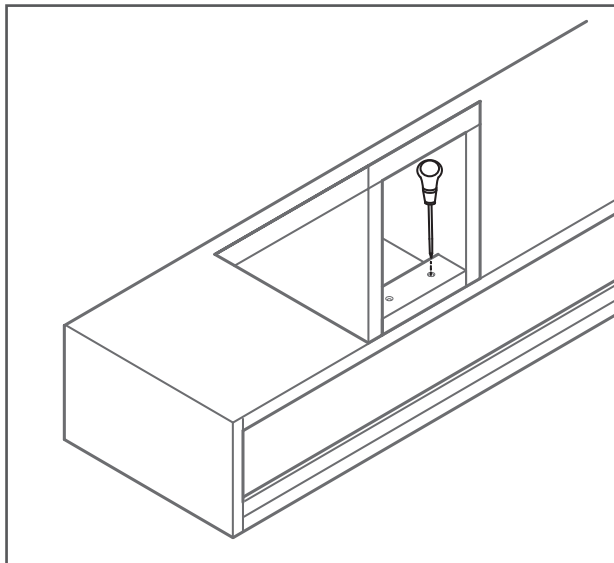


Figure 2

3. Using a pencil or an awl, mark the hole placement for each corbel on the mantel. Set the corbels aside (Figure 2).

# MANTEL CORBEL Installation Instructions

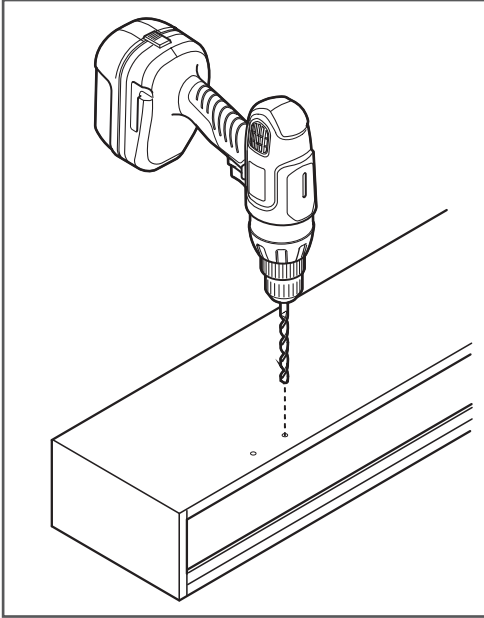


Figure 3

4. Using a drill with an 1/8" drill bit, drill the holes for the corbels into the mantel (Figure 3).

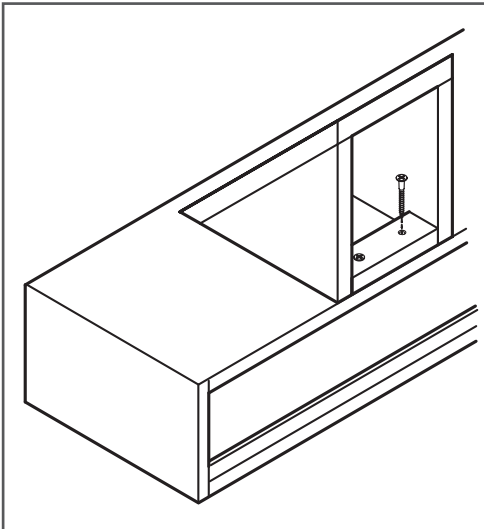


Figure 4

5. Align the holes of the corbel with the holes on the mantel. Attach each corbel using flat head wood screws (D.) (Figure 4).

# FIREPLACE MANTEL Installation Instructions

**NOTE:**  
Use wall studs wherever possible for the mantel installation for added strength and stability.

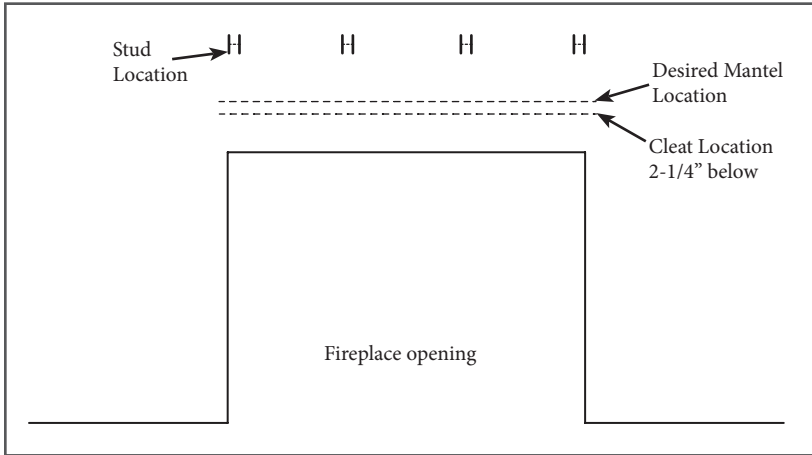


Figure 1

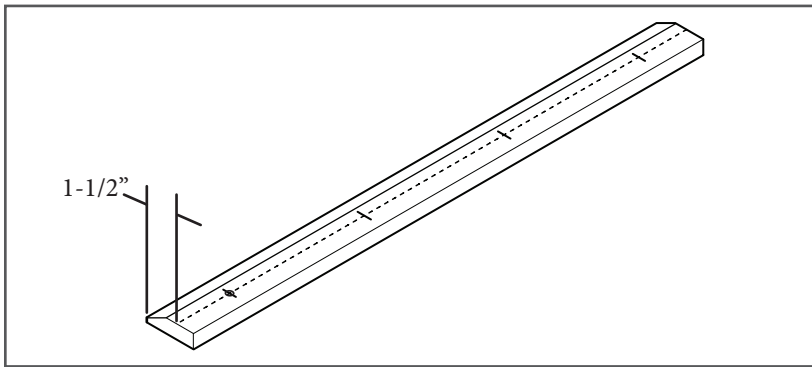


Figure 2

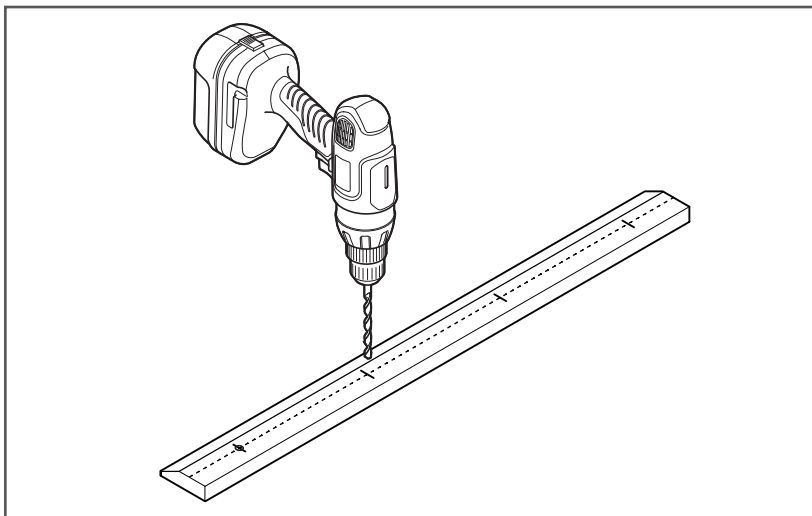


Figure 3

## MANTEL INSTALLATION

1. Decide at what height the mantel is to be installed. Using a level, mark the location with a pencil. Make another line 2-1/4" below the mantel line height (Figure 1).

2. Using a stud finder, locate the studs along the area the mantel will be installed. Mark stud locations with a pencil (Figure 1).

3. Lay the cleat (B.) on a smooth, flat surface. Measure 1-1/2" from the top edge of the cleat. Using a ruler, draw a line across the cleat.

4. Measure four evenly spaced areas along the cleat line made in step 1, utilizing studs where possible (Figure 2).

5. Drill pilot holes through measurement lines in the cleat using an 1/8" drill bit (Figure 3).

VERSION

3

03 — 2017

# FIREPLACE MANTEL Installation Instructions

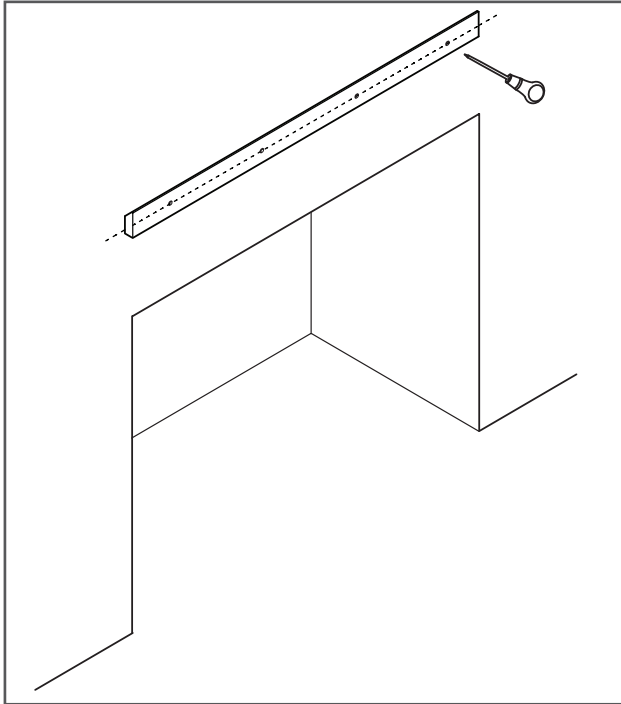


Figure 4

6. Place the cleat on the cleat line made in step 1 (Figure 4).

**SUGGESTION:**

Use double stick tape on the back of the cleat to help hold the cleat in place while completing step 7.

7. Mark the wall with an awl through the pilot holes in the cleat. Set the cleat aside (Figure 4).

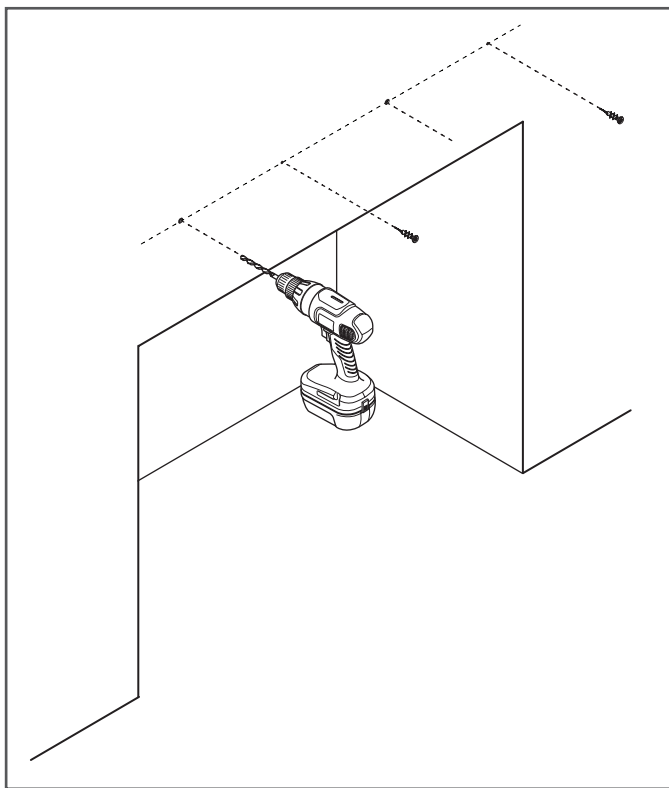


Figure 5

8. Install drywall anchors only where mantel installation does not intersect with a wall stud (Figure 5).

**NOTE:**

Do not install anchors in wall studs.

9. Drill an 1/8" hole where installation intersects with a wall stud (Figure 5).

# FIREPLACE MANTEL Installation Instructions

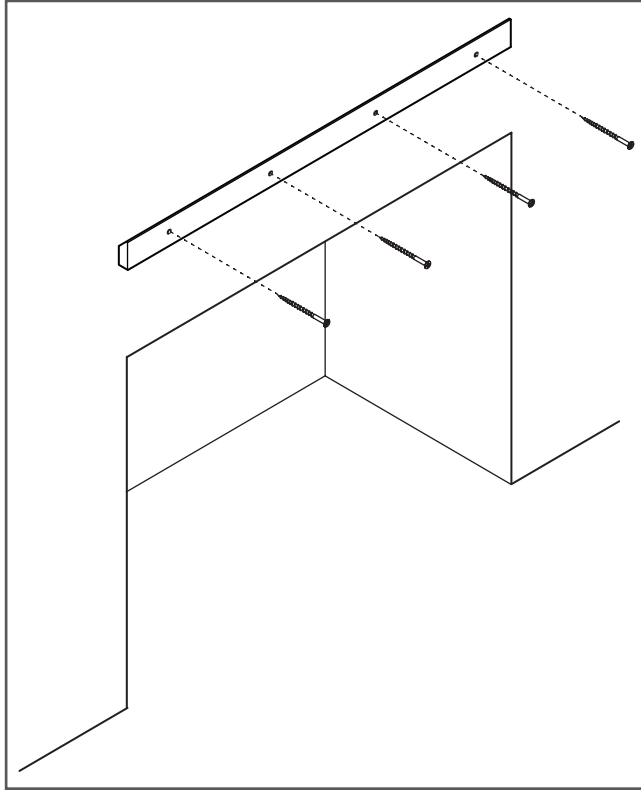


Figure 6

11. Attach the cleat to the wall using drywall anchor screws (C) (Figure 6).

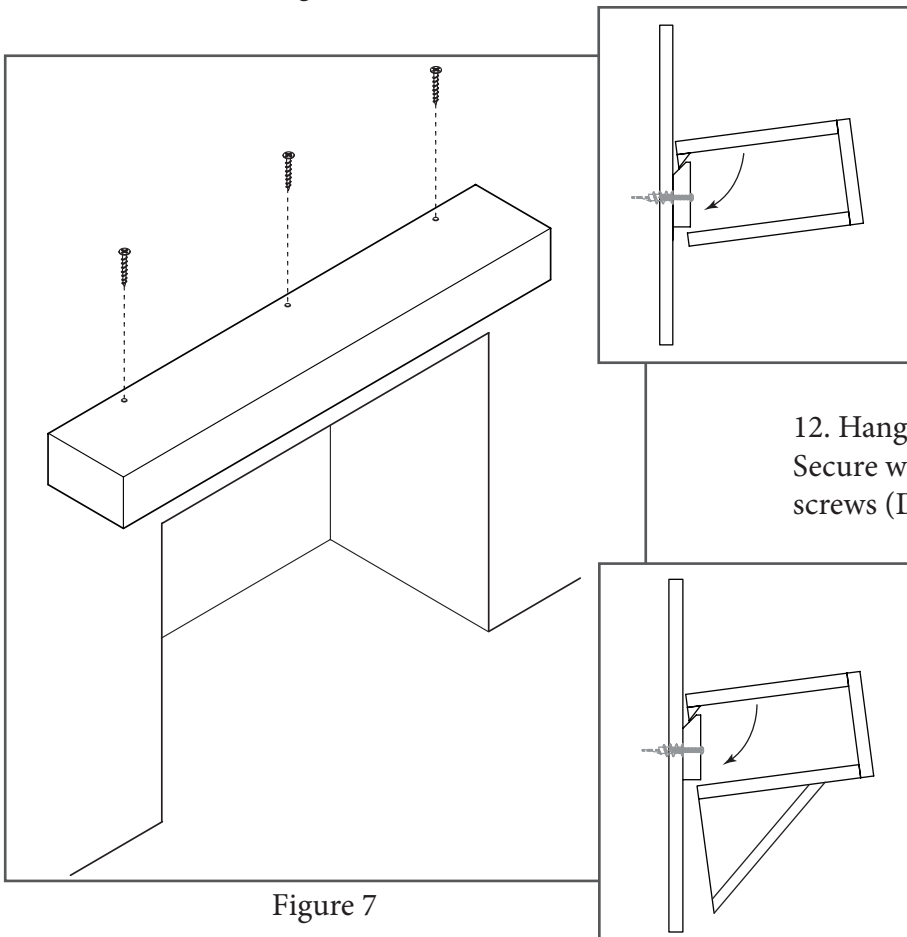


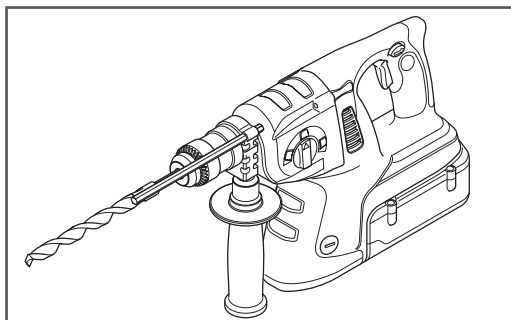
Figure 7

12. Hang the mantel (A) on the cleat. Secure with three phillips head mantel screws (D) (Figure 7).



## FIREPLACE MANTEL Installing on Brick or Stone

Installation on a brick or stone chimney will require additional tools and hardware. For example, drill bits for drilling into stone and mortar are different from standard drill bits, and you may need a heavy duty drill:



Masonry Drill

Consult with a local hardware store for the correct hardware and equipment to use.

For brick chimneys, drilling is usually done in the mortar between bricks. A lead insert is installed for the screw that will hold the cleat in place. Once the cleat has been installed, the rest of the installation is the same as the installation into drywall.

For stone chimneys, drilling may be done in the stone and does not require a lead insert.

# WE LOVE WHAT YOU ARE DOING WITH THE PLACE

CONGRATULATIONS ON YOUR DECISION TO BRING HOME  
AN AMERICAN MADE PRODUCT OF THE HIGHEST QUALITY.  
WE HOPE YOUR FIREPLACE MANTEL BRINGS ART AND FUNCTION  
INTO YOUR LIFE.

DESIGNED AND CRAFTED  
ENTIRELY IN THE

# U.S.A.



DON'T BE A STRANGER. FOLLOW US  
ON SOCIAL MEDIA.



[support@rusticahardware.com](mailto:support@rusticahardware.com)