

---

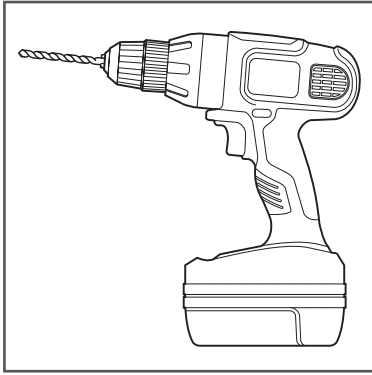
**BDH**



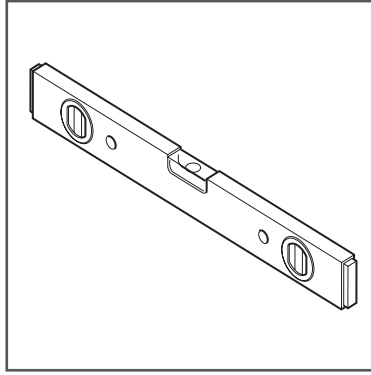
# **Bunker Shelf Kit**

**ASSEMBLY INSTRUCTIONS**

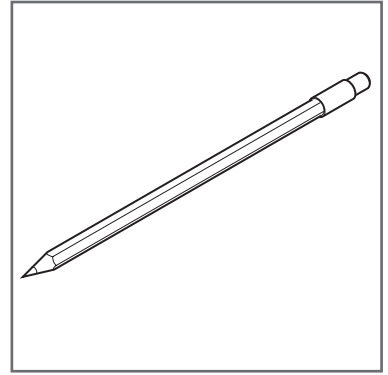
## BUNKER SHELF KIT Recommended Tools



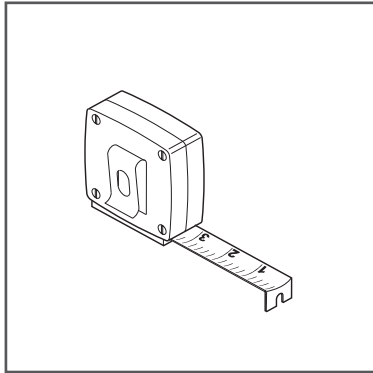
Drill with 1/8" Drill Bit  
and Phillips Screw Bit



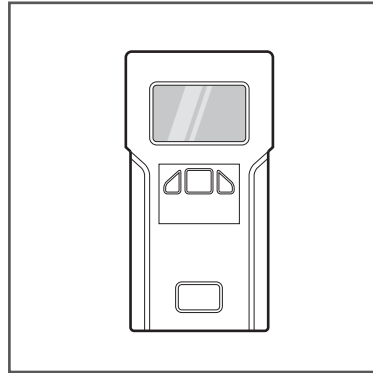
Level



Pencil

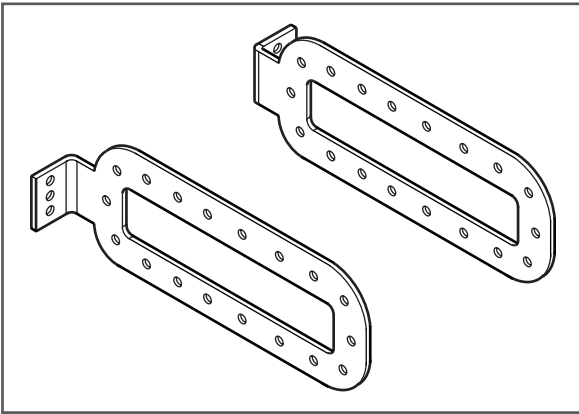


Measuring Tape

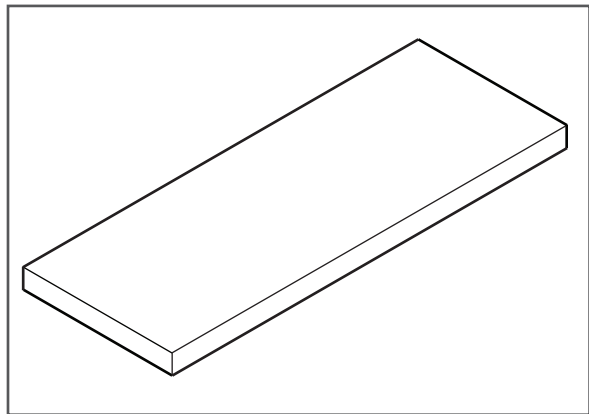


Stud Finder

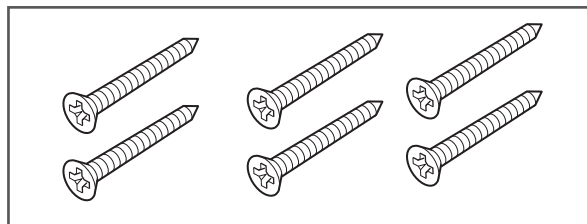
## BUNKER SHELF KIT Parts



2 Brackets



1 Shelf



6 Screws

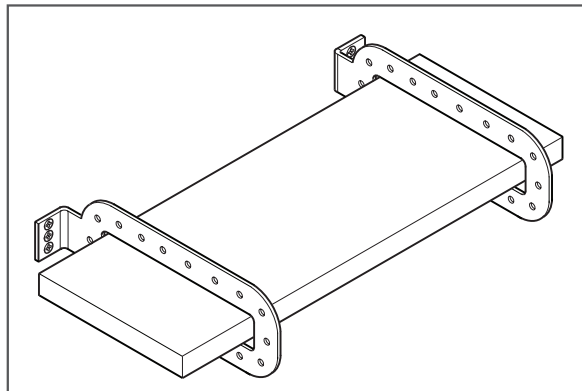
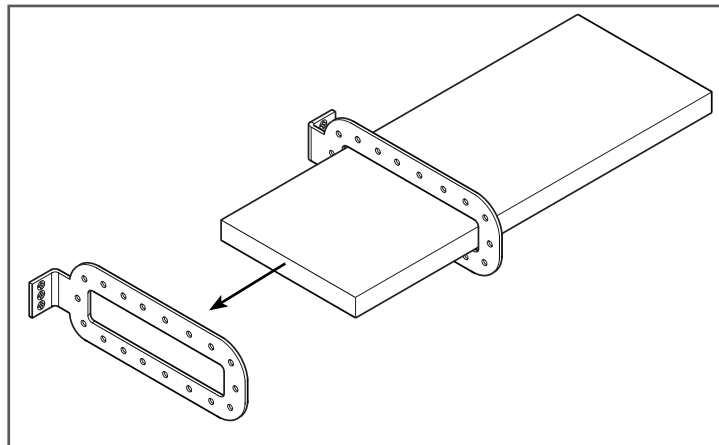
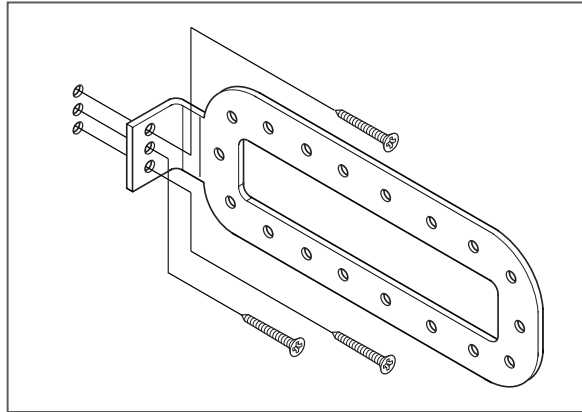
## BUNKER SHELF KIT Assembly Instructions

**NOTE:**

For the best installation, mount Bunker Shelf Brackets into wall studs using the provided screws. If brackets cannot be mounted on studs, drywall anchors will be necessary.

**NOTE:**

Do not exceed board thickness of 1-3/4" if using a shelf board other than the one provided in this kit.



**NOTE:**

Do not exceed 58 inches between brackets.  
Do not place more than 100 pounds on the self.

# **We Love What You Are Doing With The Place**

**Congratulations on your decision to bring home  
an American made product of the highest quality.  
We hope your Bunker Shelf brings art and function into  
your life.**

**Designed and crafted  
entirely in the  
U.S.A.**

