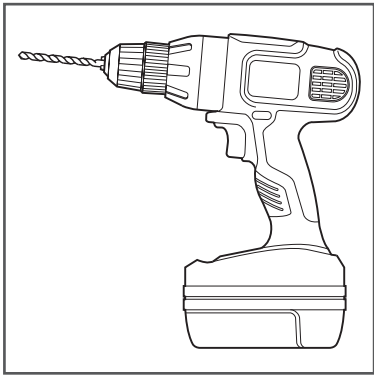

BDH



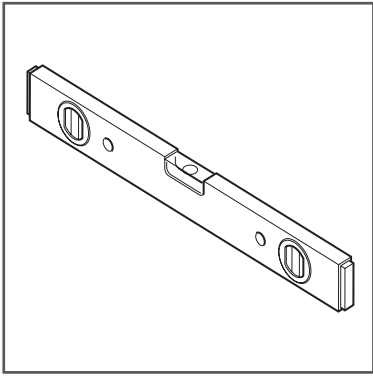
Outlook Shelf Kit

ASSEMBLY INSTRUCTIONS

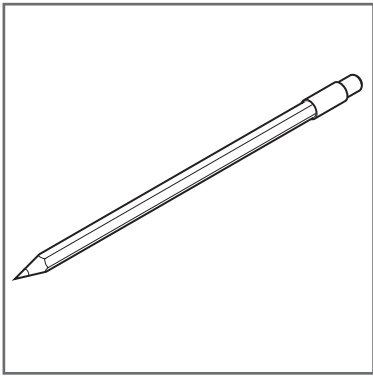
OUTLOOK SHELF KIT Recommended Tools



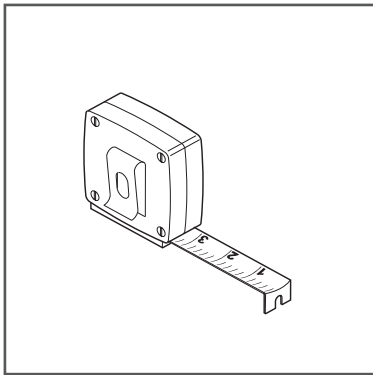
Drill with 1/8" Drill Bit
and Phillips Screw Bit



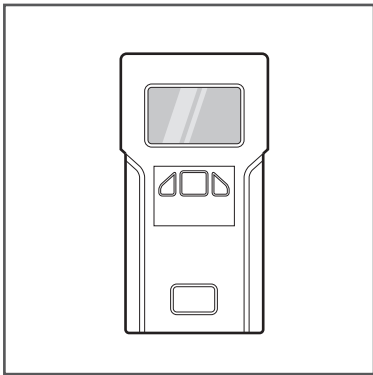
Level



Pencil

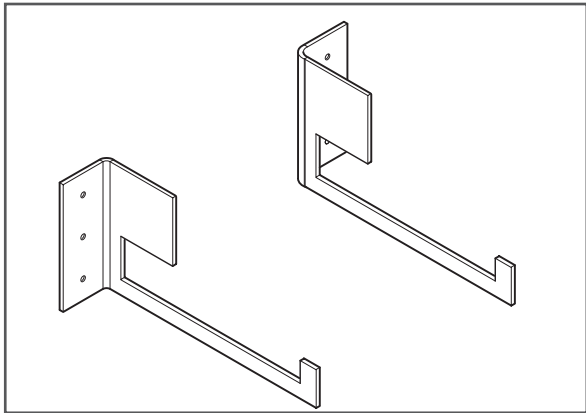


Measuring Tape

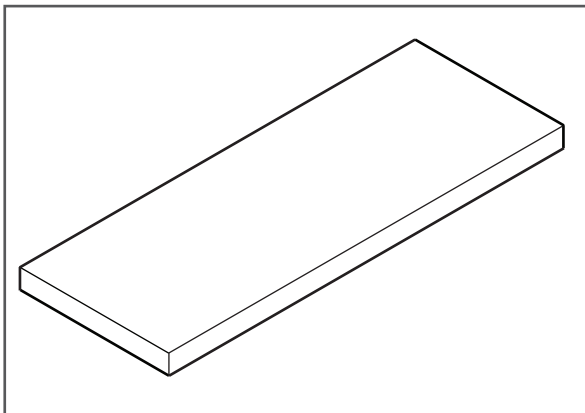


Stud Finder

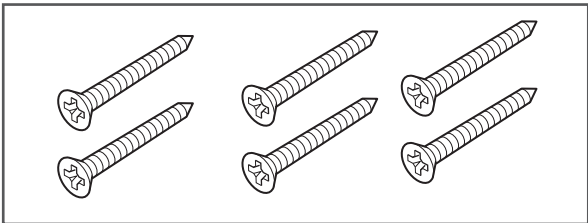
OUTLOOK SHELF KIT Parts



2 Brackets



1 Shelf



6 Screws

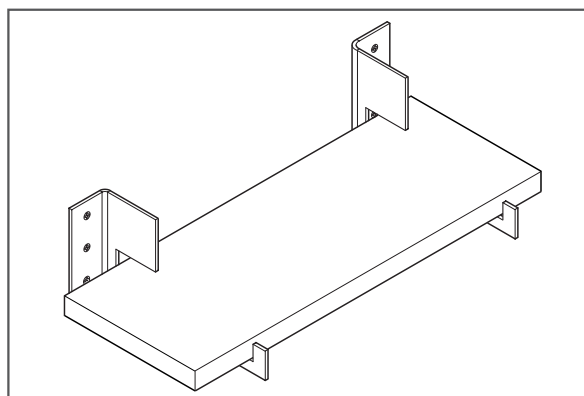
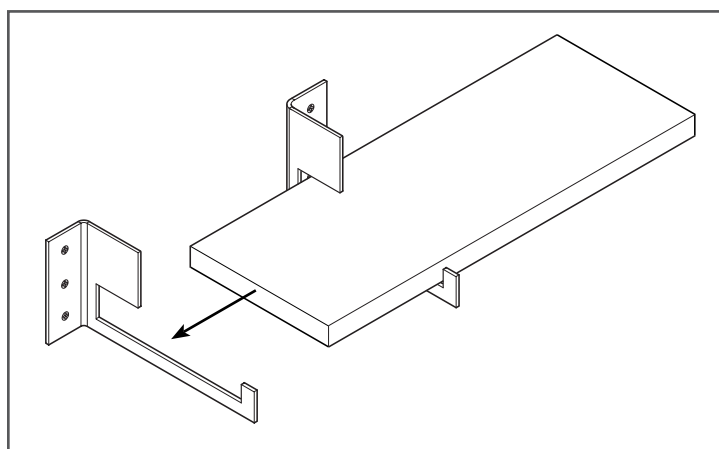
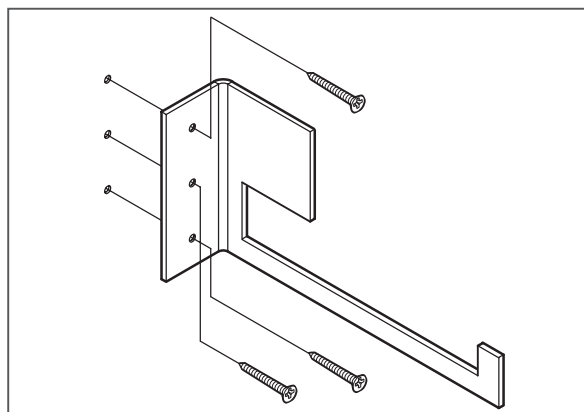
OUTLOOK SHELF KIT Assembly Instructions

NOTE:

For the best installation, mount Outlook Shelf Brackets into wall studs using the provided screws. If brackets cannot be mounted on studs, drywall anchors will be necessary.

NOTE:

Do not exceed board thickness of 1-3/4" if using a shelf board other than the one provided in this kit.



NOTE:

Do not exceed 58 inches between brackets.
Do not place more than 100 pounds on the self.

We Love What You Are Doing With The Place

**Congratulations on your decision to bring home
an American made product of the highest quality.
We hope your Outlook Shelf brings art and function into
your life.**

**Designed and crafted
entirely in the
U.S.A.**

