

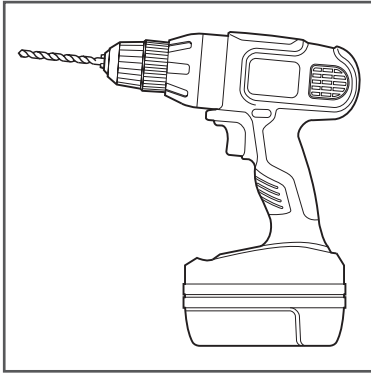


# SOFT CLOSE SYSTEM

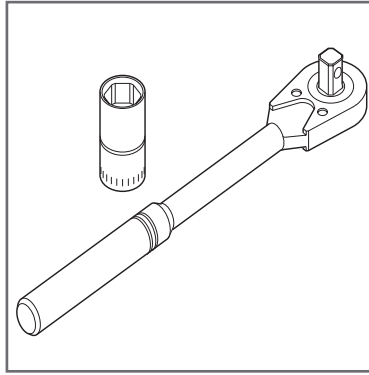
## INSTALLATION INSTRUCTIONS



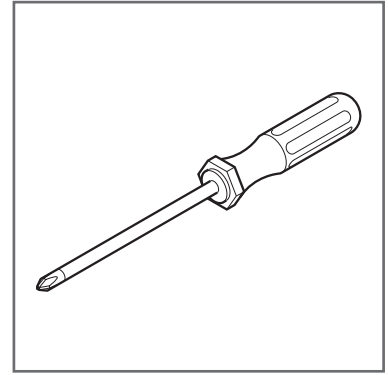
## SOFT CLOSE SYSTEM Recommended Tools



Drill with 1/8" Drill Bit and  
Phillips Bit

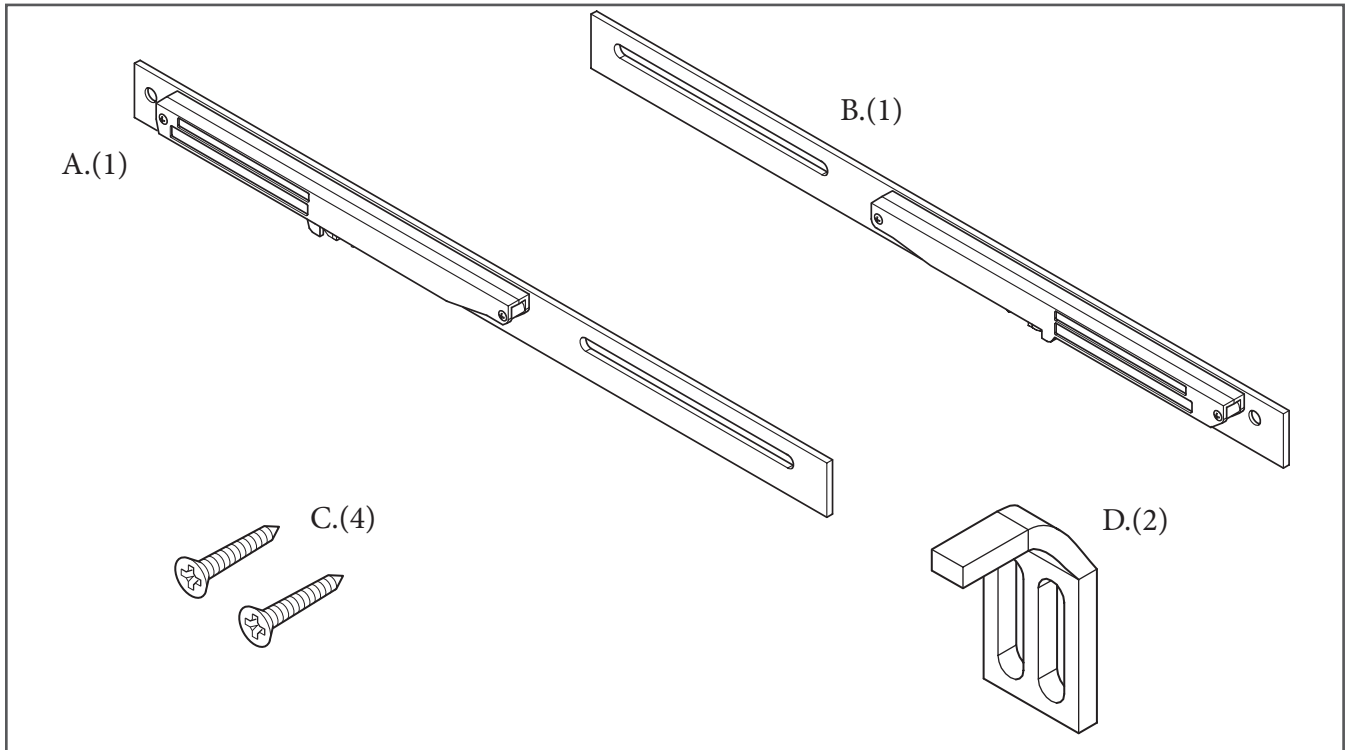


Socket Wrench with  
9/16" Socket



Phillips Screw Driver

## SOFT CLOSE SYSTEM Parts



PARTS	QTY
A. Soft Close Assembly R	1
B. Soft Close Assembly L	1
C. Phillips Screw	4
D. Stop Tab	2

# SOFT CLOSE SYSTEM Installation Instructions

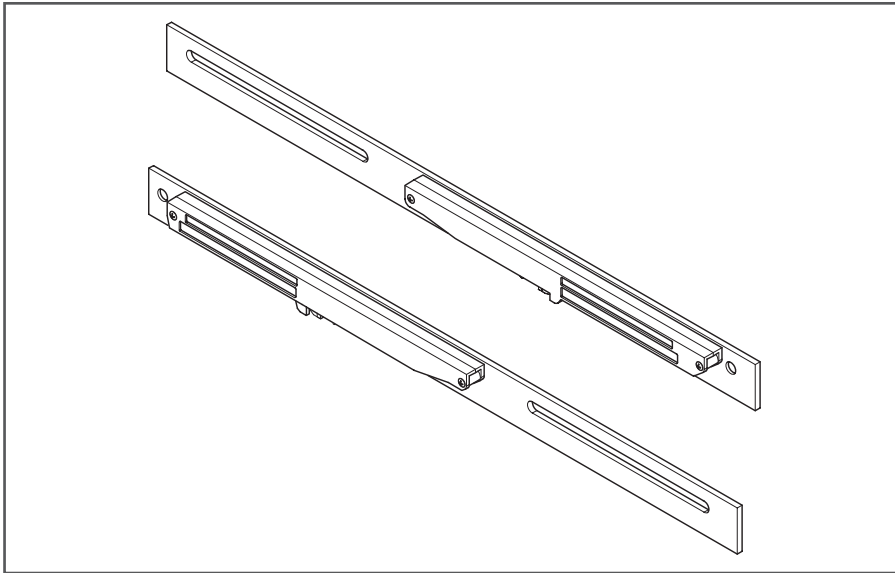


Figure 1

1. Inspect Soft Close Mechanisms (A and B) to ensure there is a left and right assembly (Figure 1). Set aside.

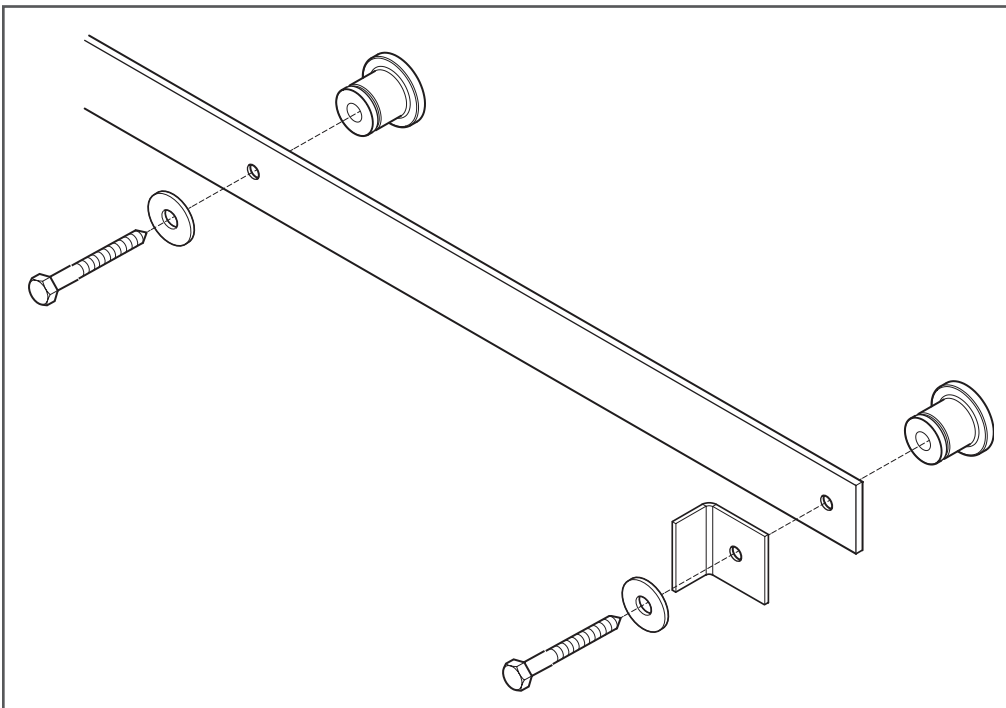


Figure 2

2. Remove the last two lag screws, washers, and hard stop from the track (Figure 2).

3. Reduce the length of last two spacers by rotating clockwise about two turns (Figure 3).

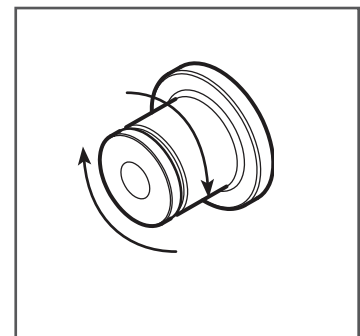


Figure 3

# SOFT CLOSE SYSTEM Installation Instructions

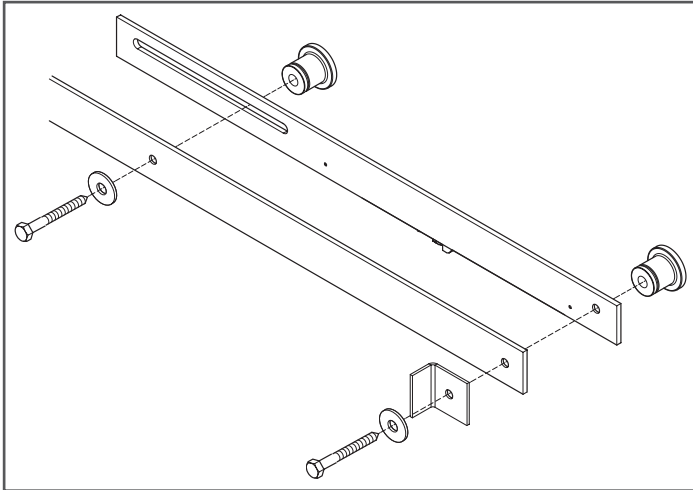


Figure 4

4. Place the soft close mounting bracket and mechanism against the back of the track with the soft close mechanism facing the wall (Figure 4).

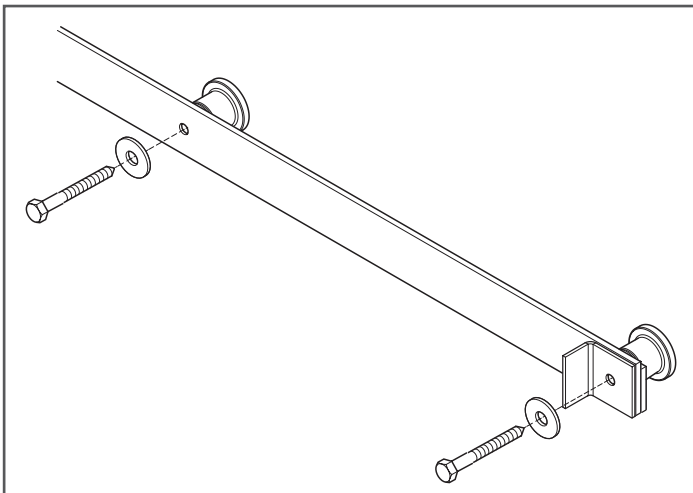


Figure 5

5. Reinstall the lag screws, washers and hard stop (Figure 5).

6. Slide the door to the closed position.

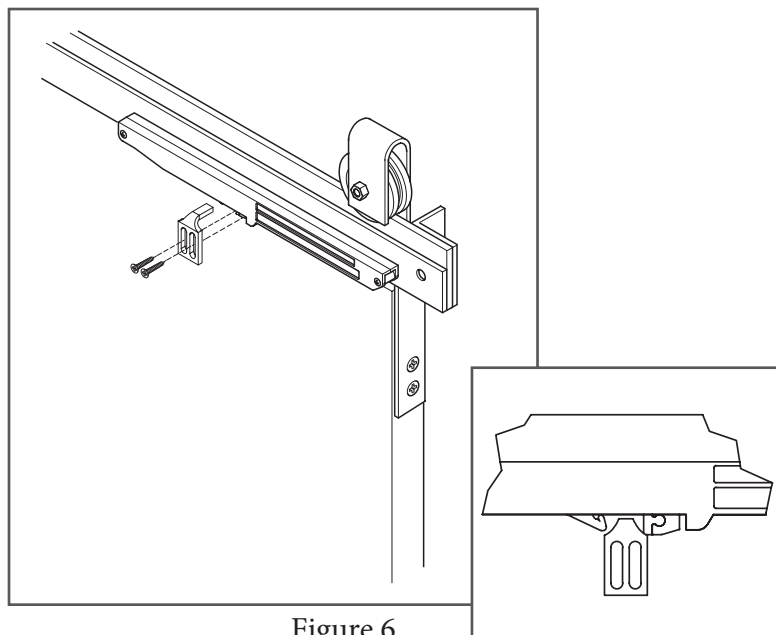


Figure 6

7. Align the stop tab on the top edge of the door to interact with the soft close mechanism (Figure 6).

**SUGGESTION:**  
Use double stick tape to hold the tab in place when making adjustments and installing.

8. Install the tab(D) on the door using the two phillips head screws(C) (provided) (Figure 6).

9. Repeat steps 2 through 8 for the opposite side of the track.

## SOFT CLOSE SYSTEM Installation Instructions

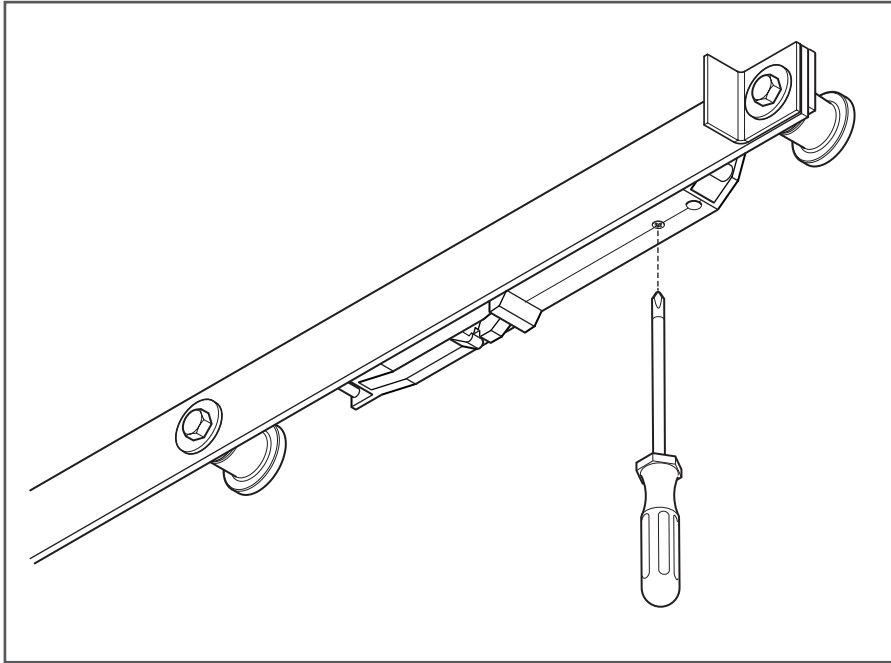


Figure 7

10. To adjust the tension for the soft close, turn the phillips screw on the bottom of the mechanism using a phillips screw driver (Figure 7).

# WE LOVE WHAT YOU ARE DOING WITH THE PLACE

CONGRATULATIONS ON YOUR DECISION TO BRING HOME  
AN AMERICAN MADE PRODUCT OF THE HIGHEST QUALITY.  
WE HOPE YOUR SOFT CLOSE SYSTEM BRINGS ART AND FUNCTION  
INTO YOUR LIFE.

DESIGNED AND CRAFTED  
ENTIRELY IN THE

# U.S.A.



DON'T BE A STRANGER. FOLLOW US  
ON SOCIAL MEDIA.



[support@rusticahardware.com](mailto:support@rusticahardware.com)