



ANTI-JUMP GUIDES & BLOCKS

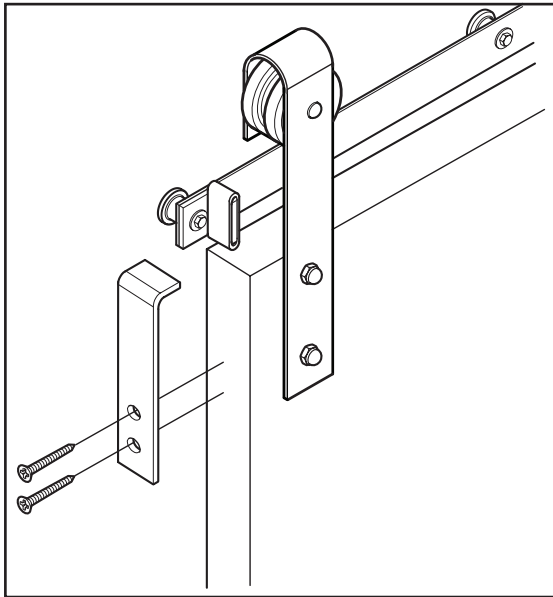


Figure 1

ANTI-JUMP GUIDE INSTALLATION

1. Place the Anti-Jump bracket on the door side, moving the bracket up until it is between 1/8" and 1/16" from the bottom edge of the rail. Mark the placement with a pencil.

SUGGESTION:

Use double stick tape on the back of the anti-jump bracket to hold it in place on the door.

2. Install the bracket to the door edge with 2 phillips screws (provided) using a drill with a phillips bit (Figure 1).

3. Repeat steps 1 and 2 for the opposite end of the door.

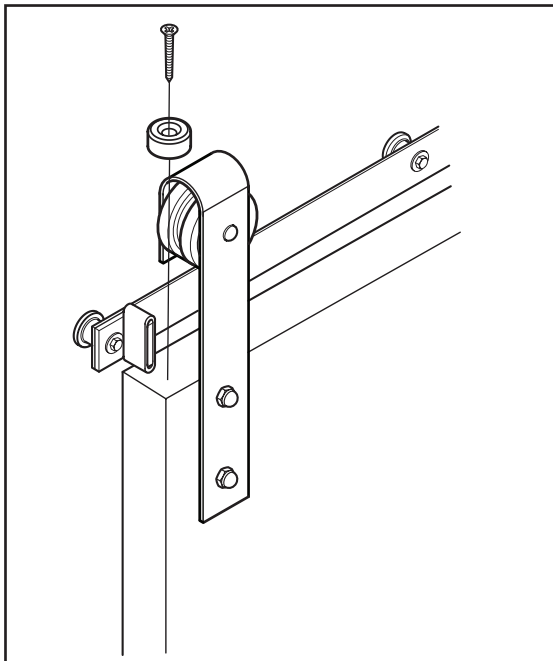


Figure 2

ANTI-JUMP BLOCK INSTALLATION FOR BI-PARTING DOORS

1. Place the Anti-Jump block on the top of the door (Figure 2). Using a drill with a phillips bit, install the the block with the 1" phillips screw (provided).

SUGGESTION:

Use double stick tape on the back of the anti-jump block to hold it in place on the door.

2. Repeat step 1 for the opposite end of the door.