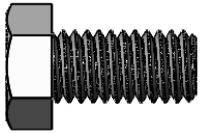


FLEX PANEL SYSTEM



## Tool List

- Drill
- No. 2 Phillips bit
- No. 3 Phillips bit
- 12" driver extension
- Socket wrench
- 11/32" (9mm) Socket
- 9/16" (14mm) Socket



3/8"-16 x 3/4 Hex Bolt



3/8"-16 Hex Nut



#8-32 x 5/8" Machine Screw



#8-32 Hex Nut



#12 x 3/4" Sheet Metal Screw



#8 x 3/4" Wood Screw

## Hardware Packets

- Corner Post Hardware
- 64-#12 x 3/4" Phillips Button Head Sheet Metal Screw-Black

## -Panel Hardware

- 16-#8-32 X 5/8" Phillips Button Head Machine Screw-Black
- 16-#8-32 X 5/8" Hex Nut-Black
- 2-3/8"-16 x 3/4" Hex bolt-Black

## -Opening Hardware

- 2-3/8"-16 x 3/4" Hex bolt-Black
- 2-3/8"-16 Hex Nut-Black

## -Shelf Hardware

- 4-#8x 3/4" Round Head Phillips Wood Screw- Black

## Note:

Hardware to connect your Flex panel system to the wall is not included and must be provided by the customer for their specific situation.

PARTS LIST



DOOR JAMB



CORNER POST



FLAT WALL  
CONNECTOR



ANGLE WALL  
CONNECTOR

PARTS LIST



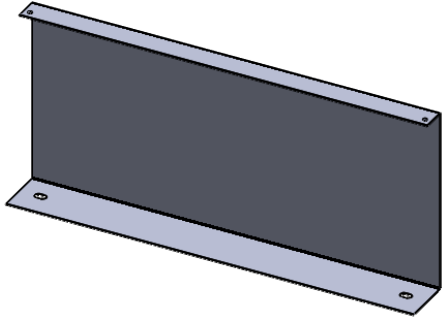
FLEX GUIDE



Adj J-Stop



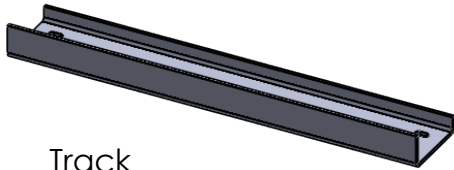
Telescoping Header



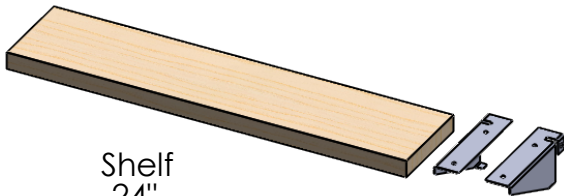
Header  
-24"  
-36"  
-48"



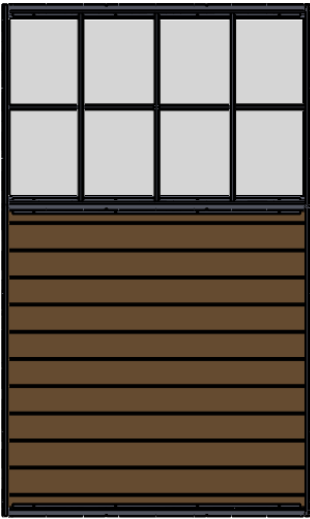
Panel Brace



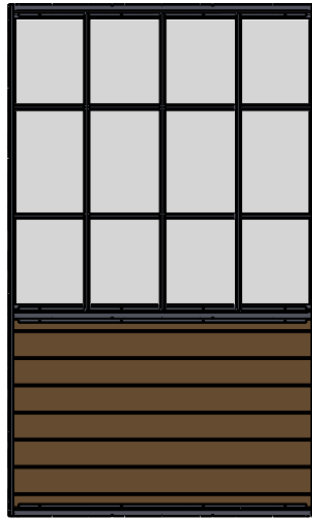
Track  
-24"  
-36"  
-48"



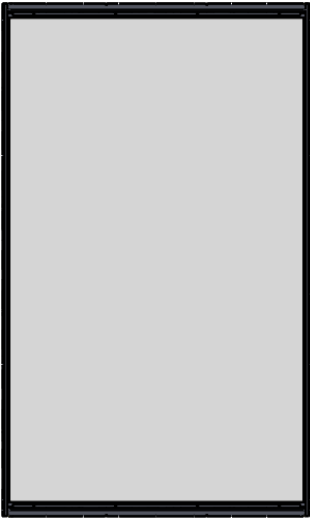
Shelf  
-24"  
-36"  
-48"



1/3 GLASS  
-2'  
-3'  
-4'



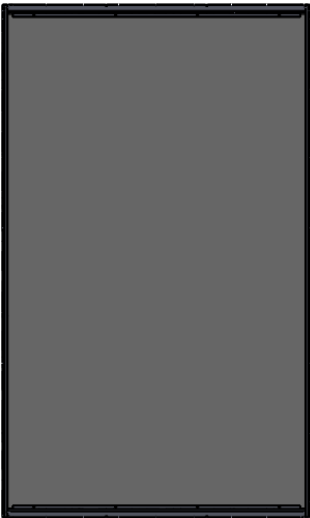
2/3 GLASS  
-2'  
-3'  
-4'



FULL GLASS  
-2'  
-3'  
-4'



FULL WOOD  
-2'  
-3'  
-4'



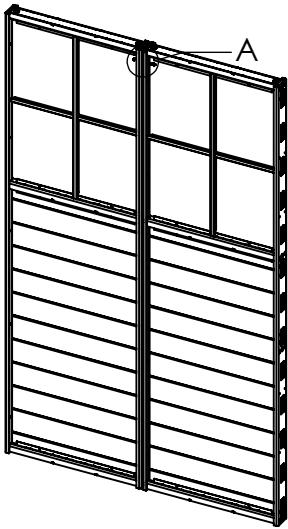
WHITEBOARD1  
-BACK IS FULL WOOD  
-2'  
-3'  
-4'



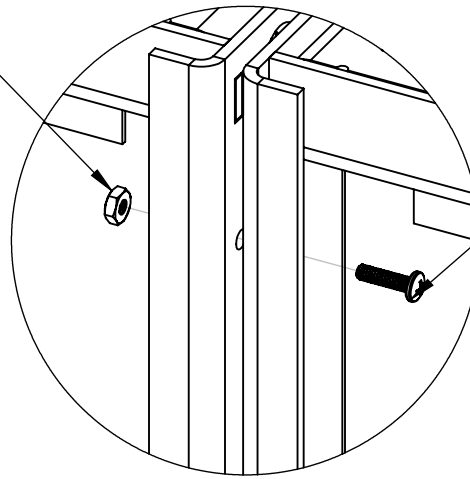
WHITEBOARD2  
-BACK IS WHITEBOARD  
-2'  
-3'  
-4'

### PANEL TO PANEL

-Fasten Panels together using #8-32 Machine Screw and Nut in every other hole, creating a zig zag pattern going down the panels



#8-32 Hex Nut

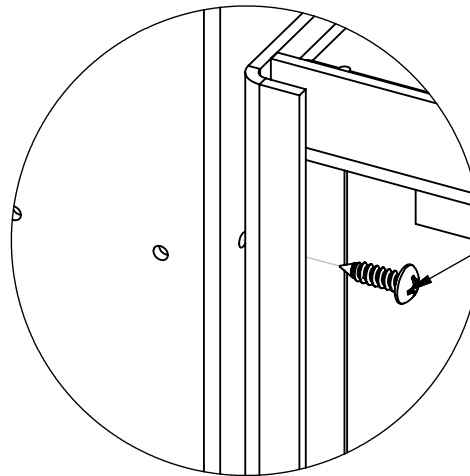
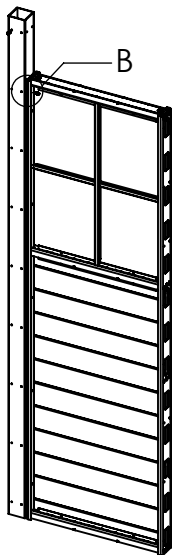


#8-32 x 5/8"  
Machine screw

DETAIL A  
SCALE 1 : 2

### PANEL TO CORNER POST

-Fasten the Panel to the Corner Post using #12 Sheet Metal Screws in every other hole, creating a zig zag pattern going down the panel

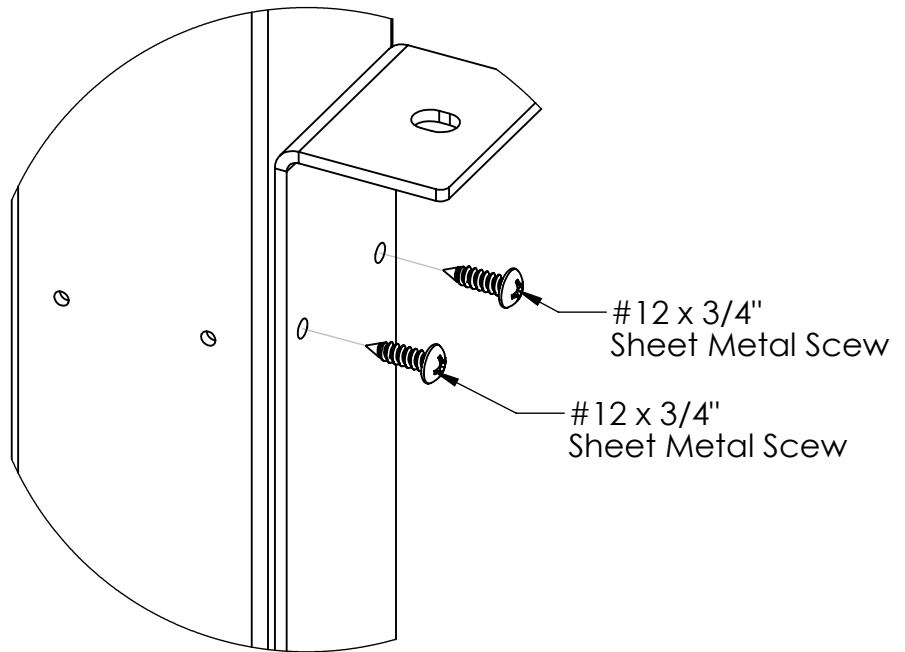


#12 x 3/4"  
Sheet Metal Screw

DETAIL B  
SCALE 1 : 2

### DOOR JAMB TO CORNER POST

-Fasten the Door Jamb to the Corner Post using #12 Sheet Metal Screws in every hole, of the Door Jamb

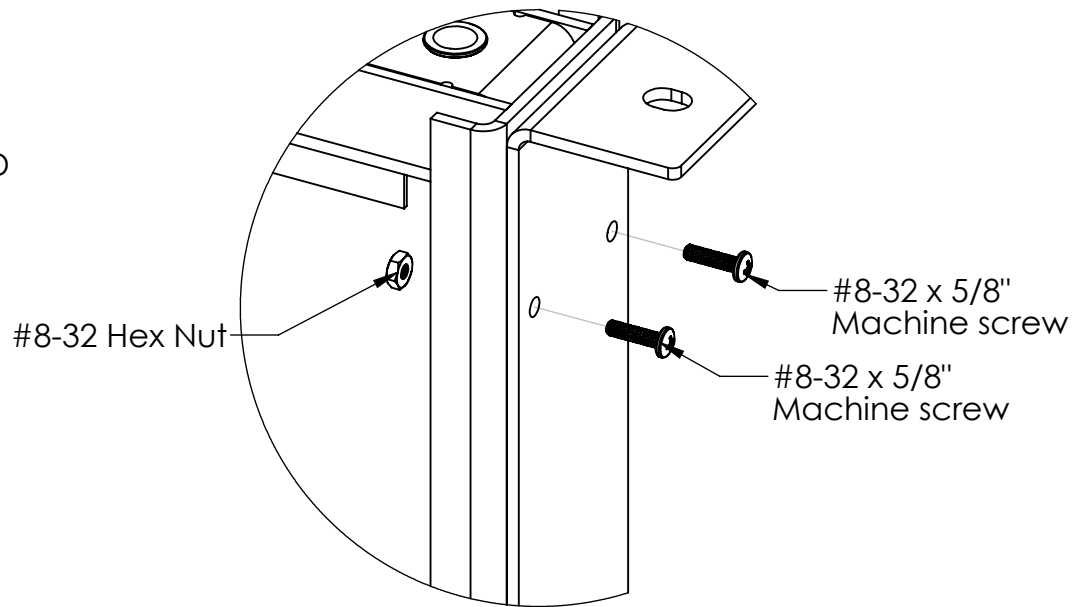
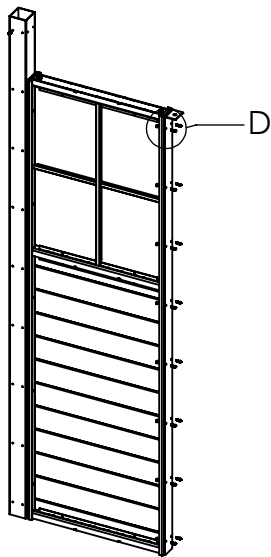


DETAIL C  
SCALE 1 : 2

### DOOR JAMB TO PANEL

-Fasten the Door Jamb to the Panel using #8-32 Machine Screws and nut in every hole, of the Door Jamb

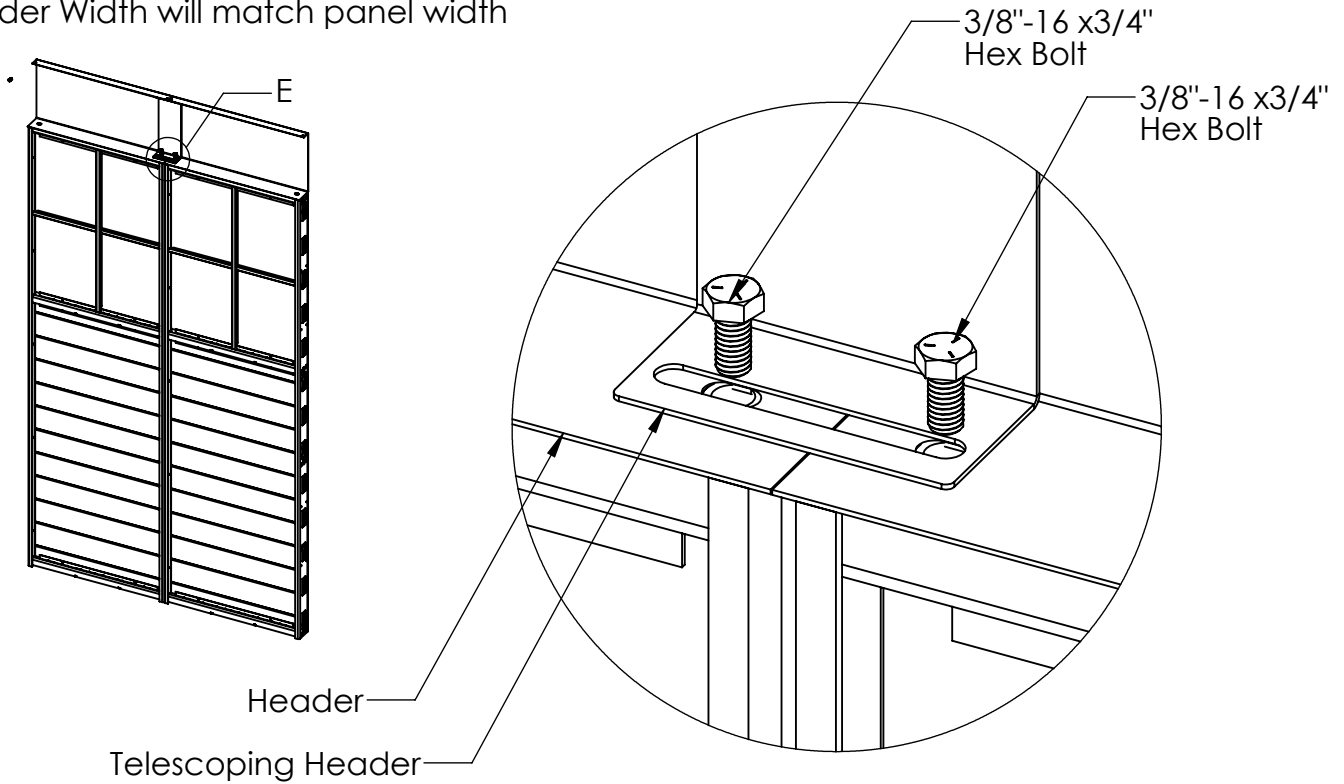
-Leave the bottom set of holes open where installing the Guide



DETAIL D  
SCALE 1 : 2

### HEADER TO PANEL

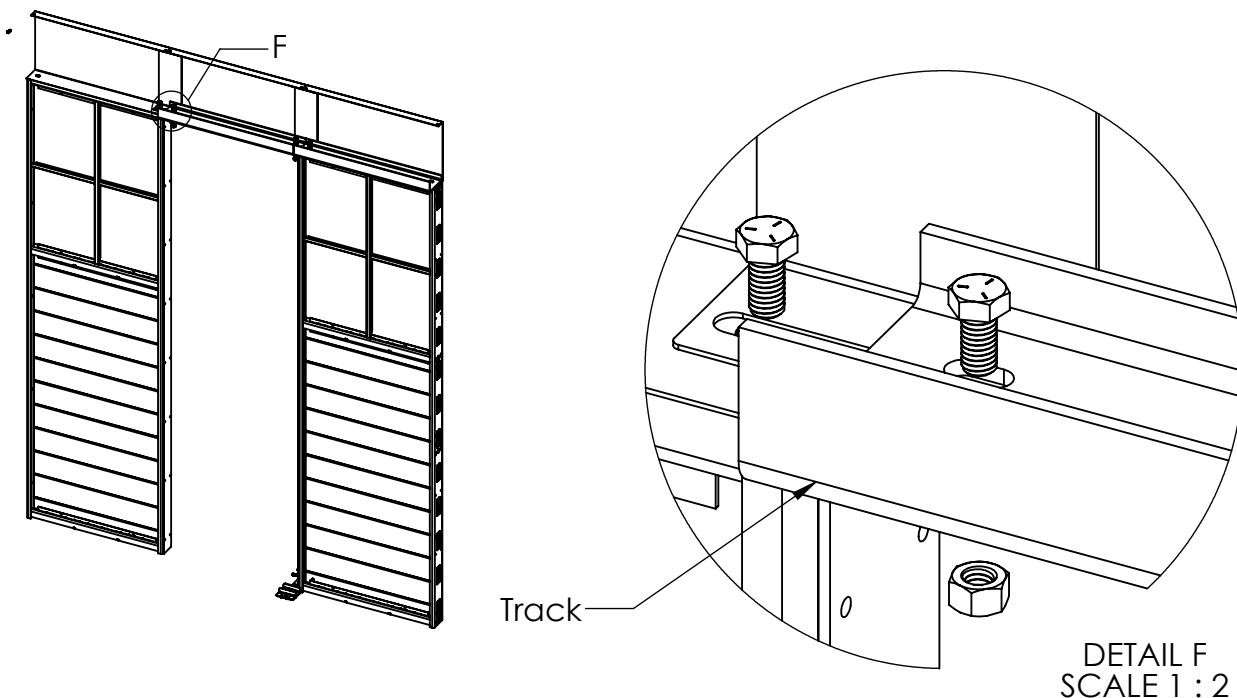
- Fasten the Header to the Panel using (2) 3/8"-16 Hex bolt into panel
- Where applicable use a Telescoping Header to cover the gap between headers
- Header Width will match panel width



DETAIL E  
SCALE 1 : 2

### TRACK TO PANEL & DOOR JAMB

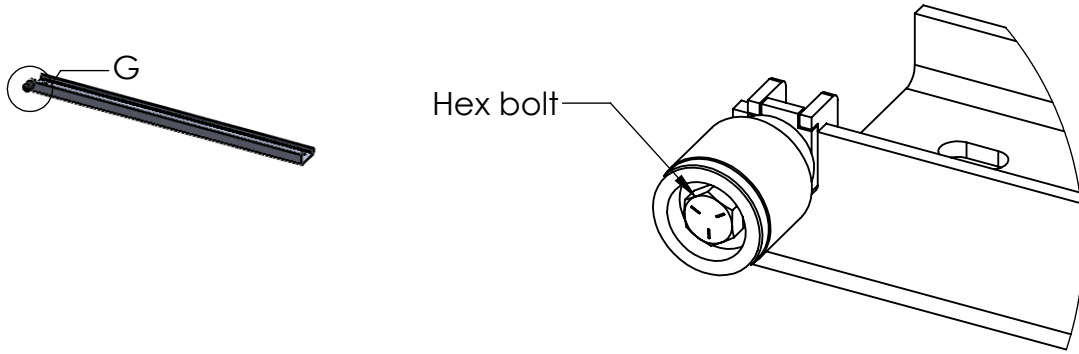
- Fasten the Track to the Panel using (2) 3/8"-16 Hex bolt into panel that the door will overlap
- Fasten the Track to the Door Jambs using (2) 3/8"-16 Hex bolts and (2) Hex Nuts
- The same bolts secure the Header and Telescoping header
- The Track will sit on top of the Telescoping Headers





### STOP TO TRACK

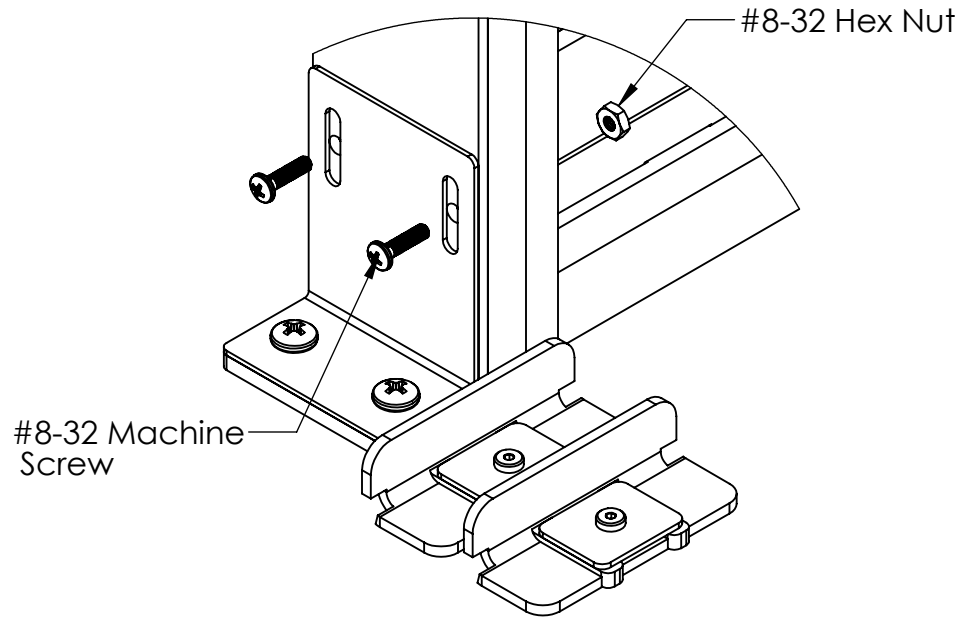
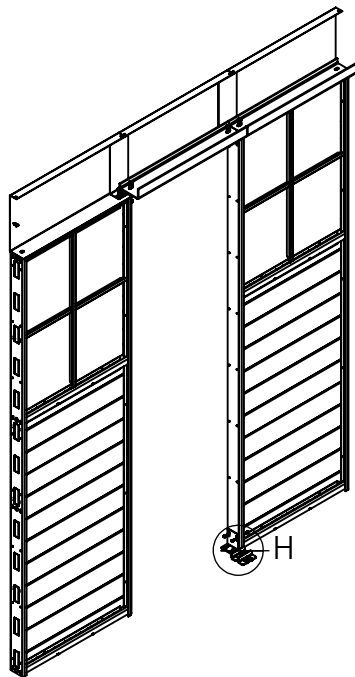
- Hook the Stop over the top of the installed Track, in the desired stop position
- Check Placement with Door
- Tighten Hex bolt to clamp the Stop in Position
- You will install 2 Stops for every Door



DETAIL G  
SCALE 1 : 2

### GUIDE TO DOOR JAMB

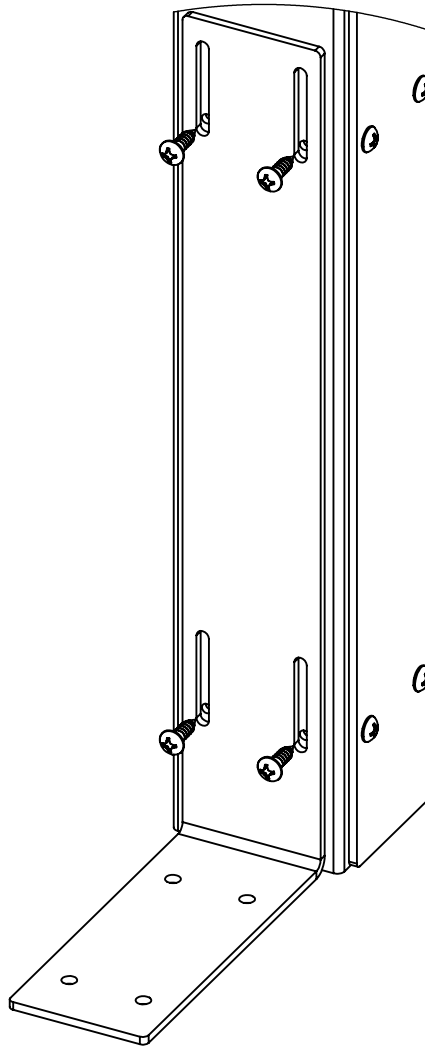
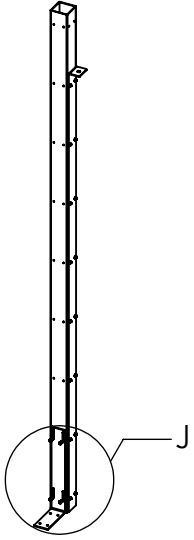
- Secure the Guide using #8-32 Machine screw into the Bottom holes of the Jamb



DETAIL H  
SCALE 1 : 2

PANEL BRACE TO CORNER SUPPORT

- Secure the Panel Brace to the Corner Post using #12 Sheet Metal Screws
- Hardware to secure it to the ground to be provided by the customer

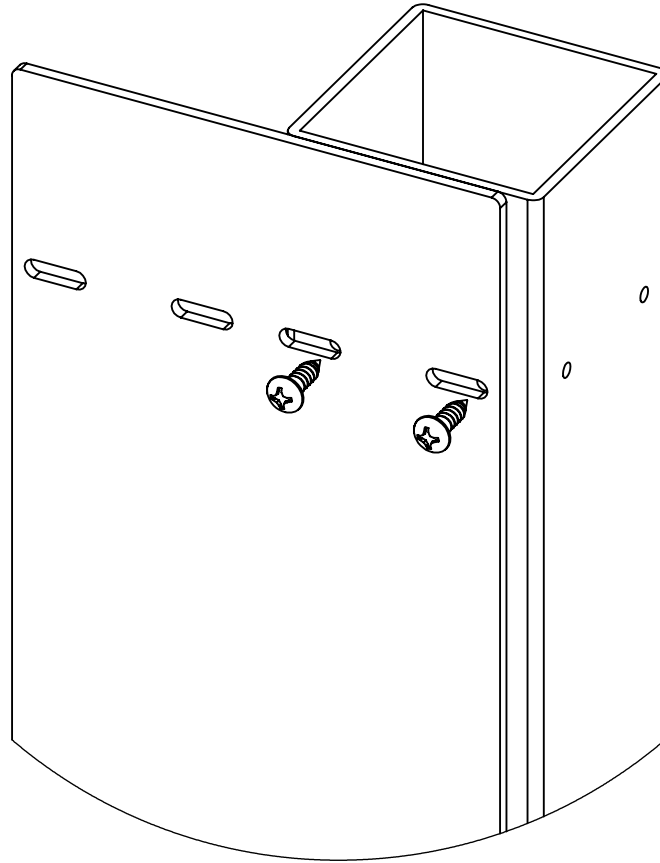
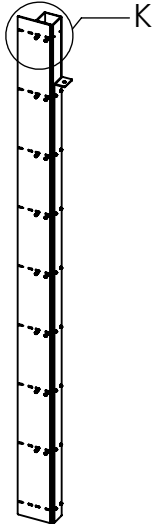


DETAIL J  
SCALE 1 : 3

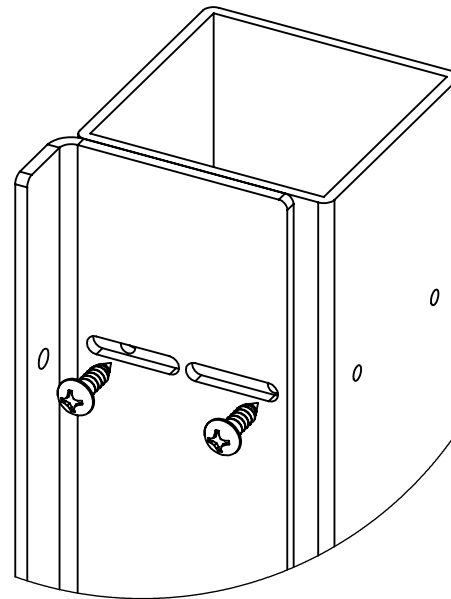
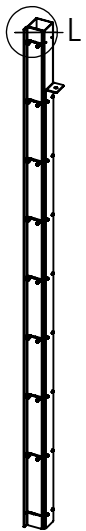
# WALL CONNECTOR TO CORNER SUPPORT

-Secure the Panel Brace to the Corner Post using #12 Sheet Metal Screws

-Hardware to secure it to the wall to be provided by the customer



DETAIL K  
SCALE 1 : 2  
FLAT WALL CONNECTOR



DETAIL L  
SCALE 1 : 2  
ANGLE WALL CONNECTOR