

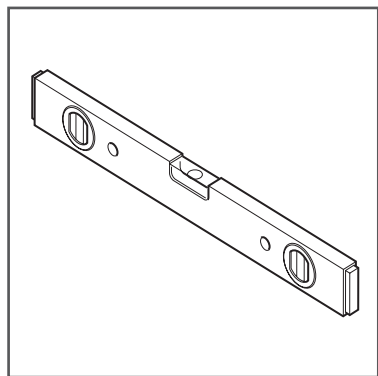


HEAVY DUTY I-BEAM TROLLEY

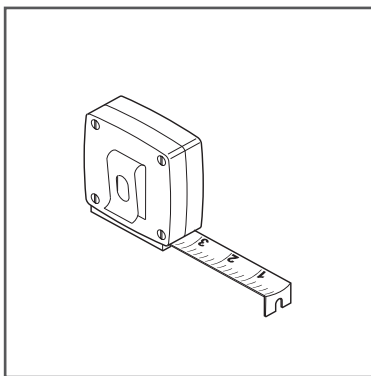
ASSEMBLY INSTRUCTIONS



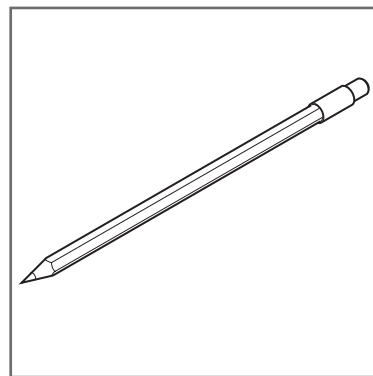
I-BEAM TROLLEY Recommended Tools



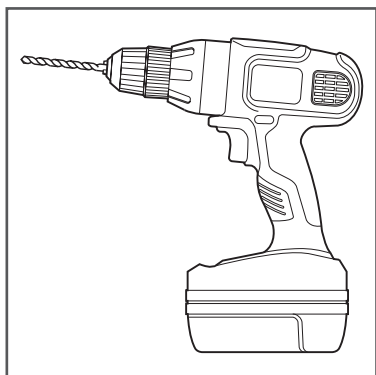
Level



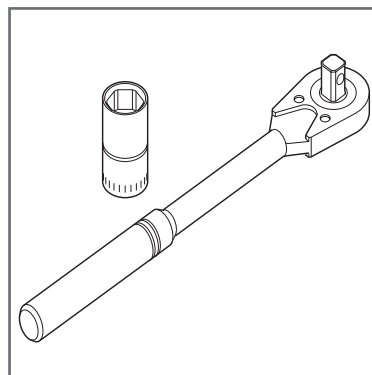
Tape Measure



Pencil

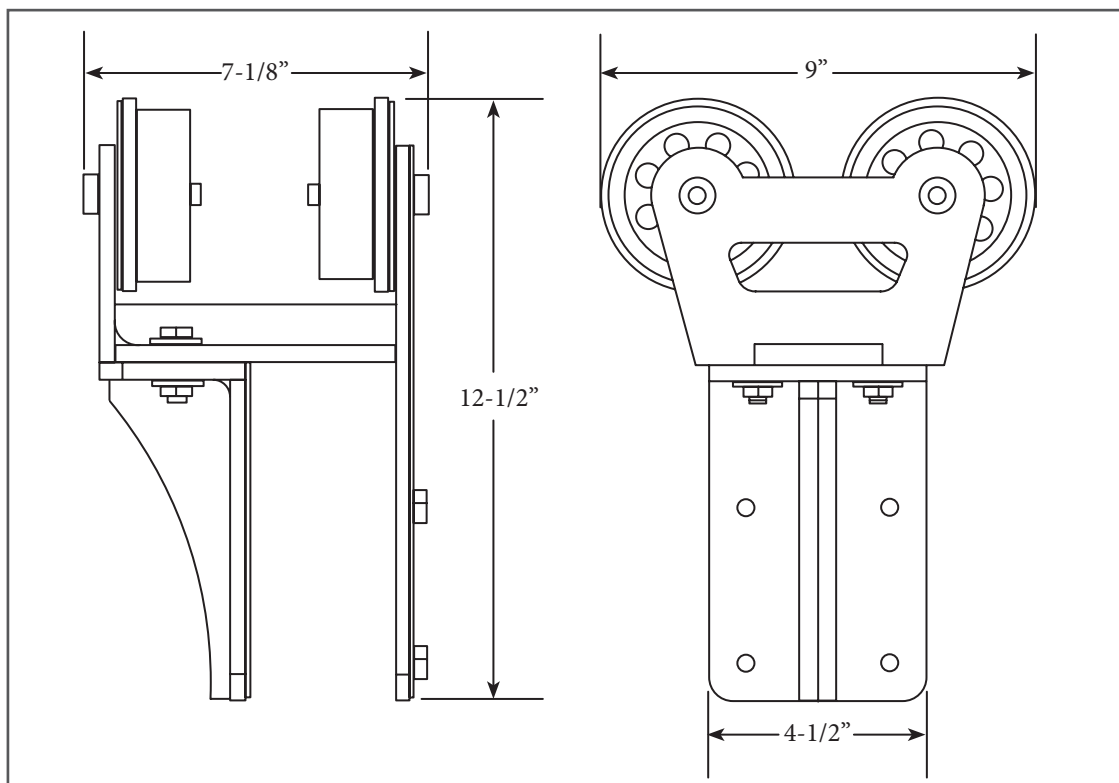


Drill with 1/8", 1/4", and 3/8",
Drill Bits and Phillips Bit

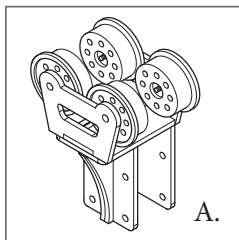


Socket Wrench with
9/16" Socket

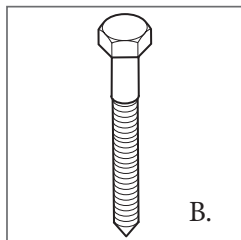
I-BEAM TROLLEY Specifications



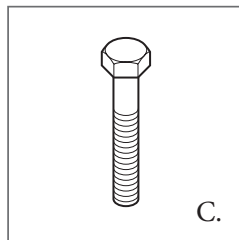
I-BEAM TROLLEY Parts



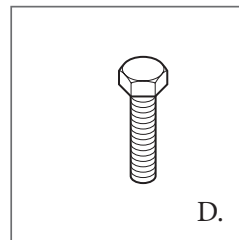
A.



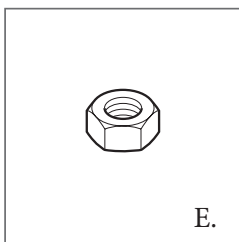
B.



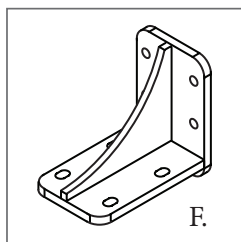
C.



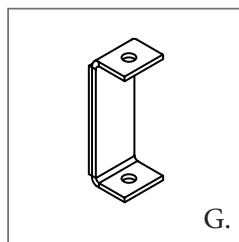
D.



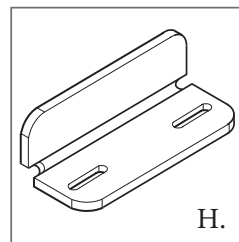
E.



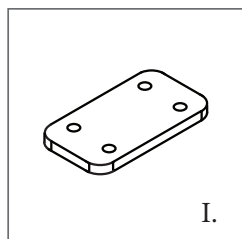
F.



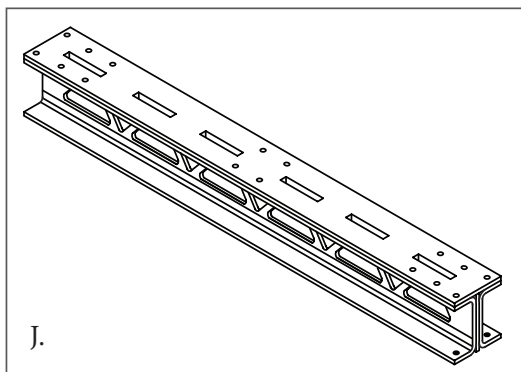
G.



H.



I.



J.

PARTS

- A. Hanger Assembly
- B. Lag Screw (3/8" x 3" long)
- C. Long Hex bolt (3/8"-16 x 2-3/4" to 4" depending on door thickness)
- D. Short Hex Bolt (3/8"-16 x 1-1/4")
- E. Nut (3/8"-16)
- F. I-Beam Bracket
- G. Track Stop
- H. Door Guide
- I. Splice Plate*
- J. I-Beam Track

*Provided only when more than one track is required for installation.

**USE TEAMWORK - WE RECOMMEND
THREE PEOPLE FOR THIS BUILD.**

I-BEAM TROLLEY Assembly Instructions

NOTE:

Doors using Floor Mount Door Guides will have a groove on the bottom. Ensure this groove is on the opposite end of the Door Hanger Installation.

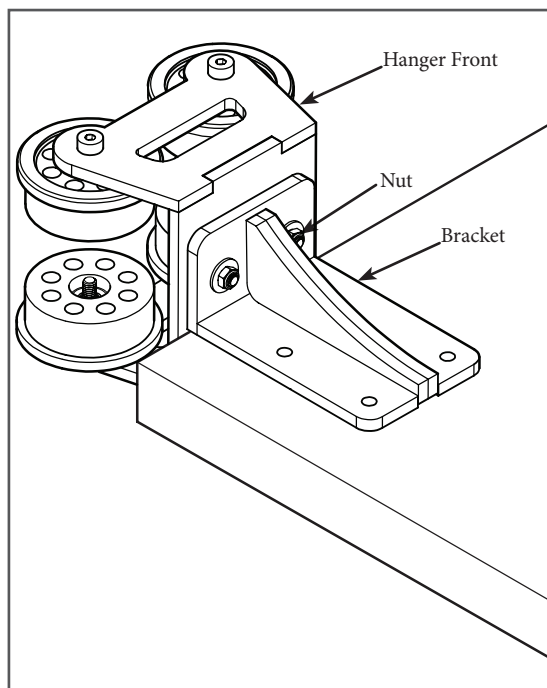
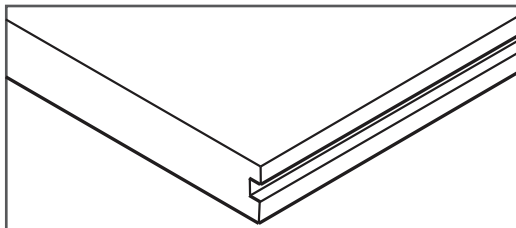


Figure 1

1. Lay the door with the front facing up on a flat, level surface.

2. Place the hanger on the door (Figure 1).

NOTE:

The front of the hanger bracket is adjustable to accommodate door thickness. Loosen the nuts on the top of the hanger bracket and slide the front of the hanger to the desired position.

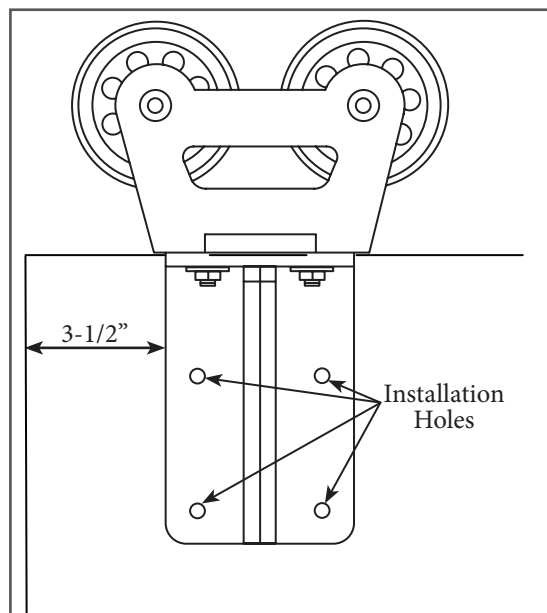


Figure 2

3. Ensure the placement of the hanger base is 3-1/2" from the edge of the door (Figure 2).

4. Mark the center of each installation hole with a pencil. (Figure 2).

5. Repeat steps 2-4 for the opposite end of the door. Set the hangers aside.

I-BEAM TROLLEY Assembly Instructions

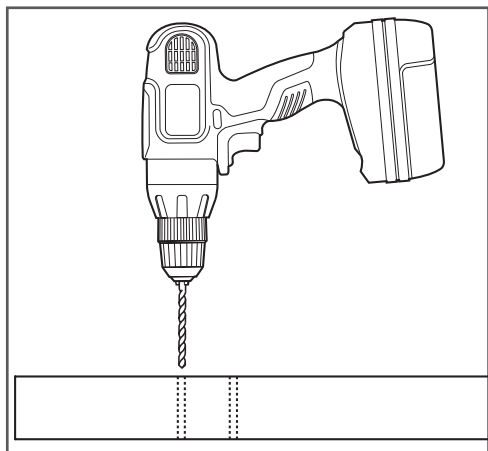


Figure 3

6. Drill four pilot holes all the way through the door for each hanger using a drill with an 1/8" drill bit (Figure 3). Change bit to 3/8" bit and drill through the four pilot holes.

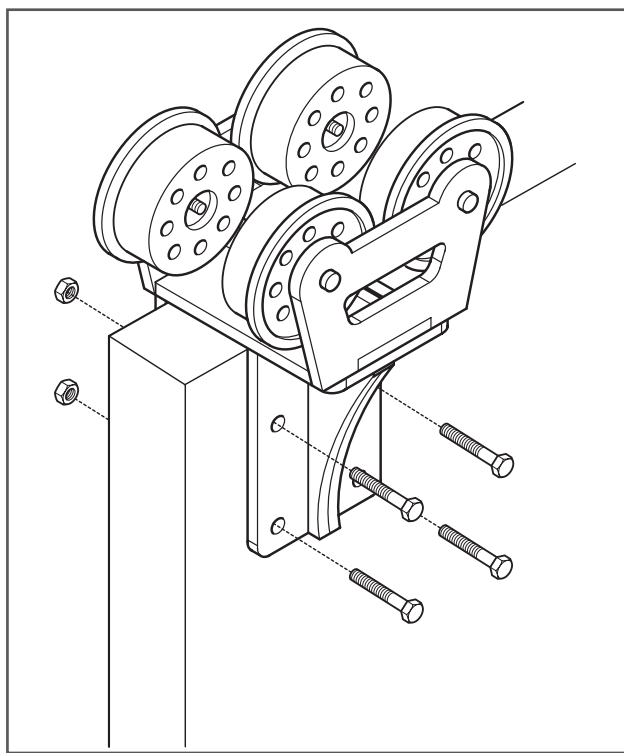


Figure 4

7. Install the hangers to the door using hex bolts (C.) and nuts (E.) (provided) (figure 4).

8. Once the hanger is bolted to the door, tighten the nuts that allowed the front of the hanger to slide (figure 5).

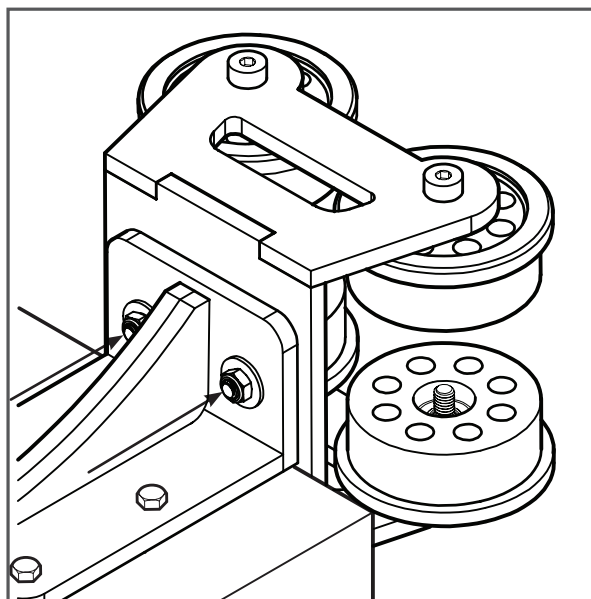
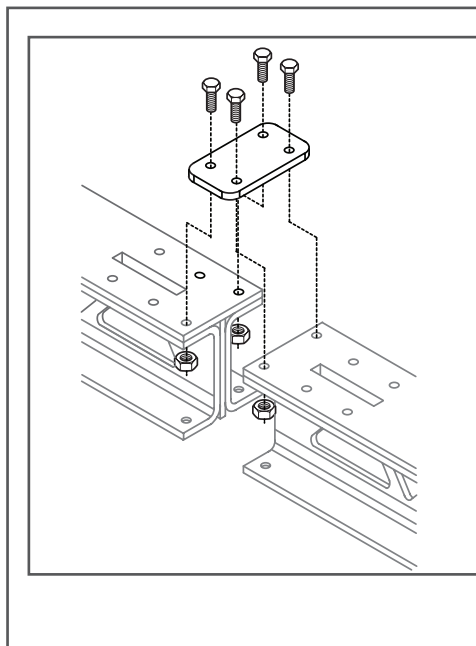


Figure 5

FIRST THINGS FIRST

Check to see if the floor below the track area is level. If the floor rises more than 1/2" the door may rub or not slide open completely. If the floor is not level, measure from the highest point of the floor surface to the recommended track placement and adjust track placement accordingly.



NOTE:

Before you begin: if the track is over 8' in length it will come as two tracks that will need to be spliced together. Be aware that the track will be HEAVY and three people will be required to lift it in place.

- Lay the tracks on a smooth, level surface. Place the ends together.
- Lay the splice plate on the top of the I-beam track aligning the hole in the splice plate with the holes on the ends of the I beam track.
- Install using the bolts (D.) and nuts (E.) provided.

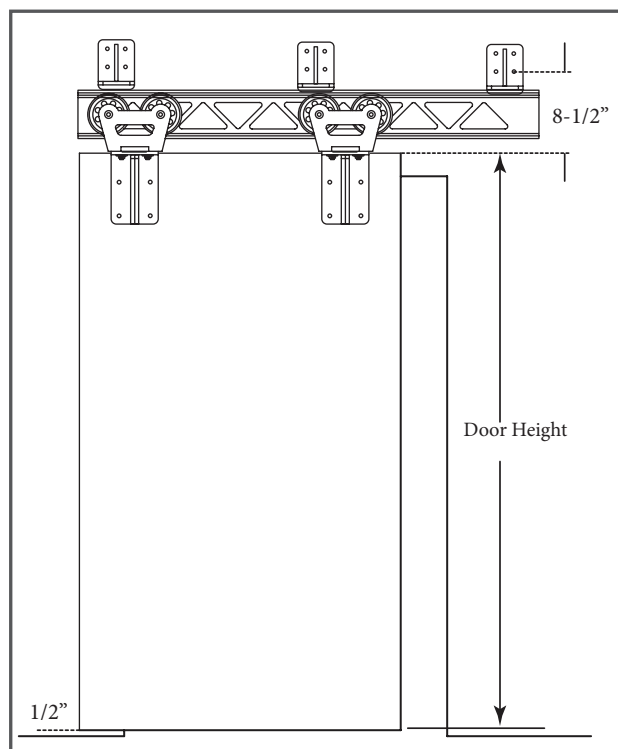


Figure 1

I-BEAM TRACK & DOOR INSTALLATION

- To determine where the track should be installed, first measure the height of the door, then add 9" to the door length. 1/2" will be for the clearance between the bottom edge of the door and the floor. 8-1/2" will be from the top edge of the door to the center of the lower hole in the track bracket. (Figure 1).
- Using a level and a pencil, make a line the same length as the track above the doorway where the lower holes in the track bracket will fall.

HEADER INSTALLATION

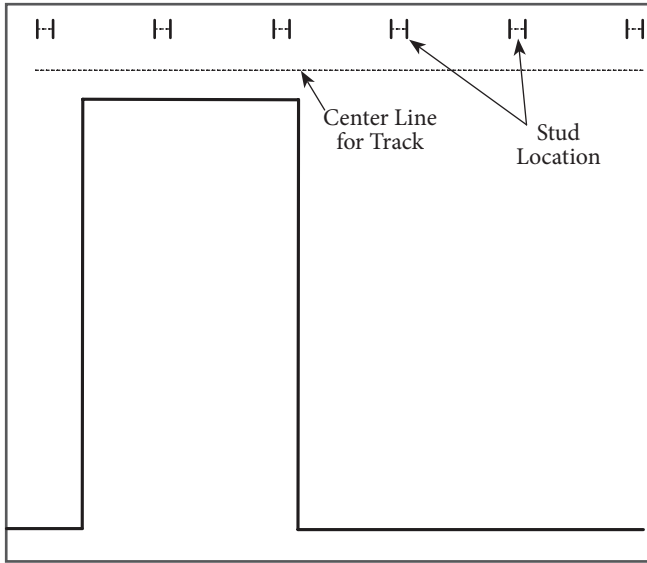


Figure 2

NOTE:
The header should be 6" tall and 4" longer than the track.

3. Using a stud finder, locate the studs along the area the header will be installed. Mark stud locations with a pencil (Figure 2).

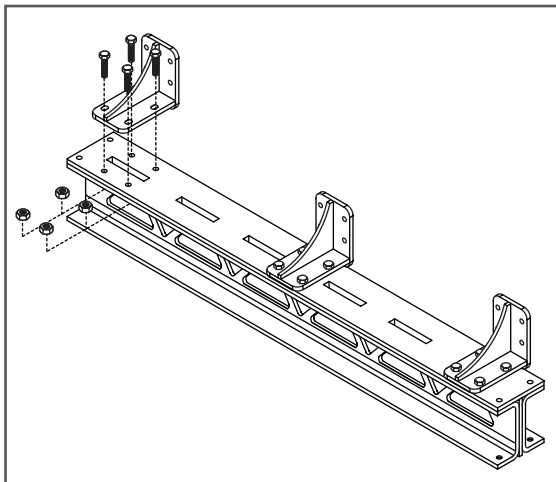


Figure 8

4. Install the I-beam brackets (F.) on the I-Beam (J.) using bolts (D.) and nuts (E.) provided (Figure 3).

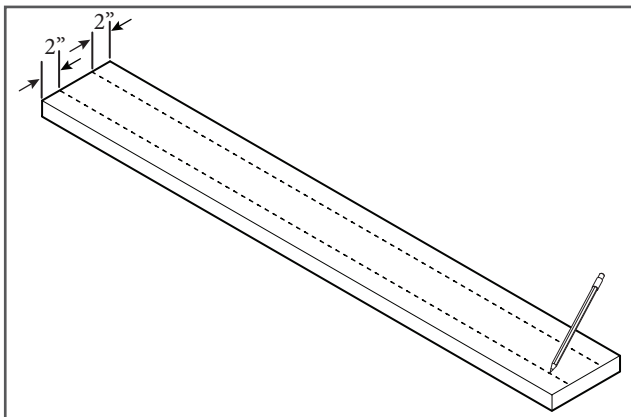


Figure 4

5. Lay the header on a flat clean surface. Using a measuring tape, measure and mark 2" from the bottom of the header and 2" from the top of the header. Using a pencil, draw two lines, one for the top and one for the bottom of the header (Figure 4).

I-BEAM TROLLEY Assembly Instructions

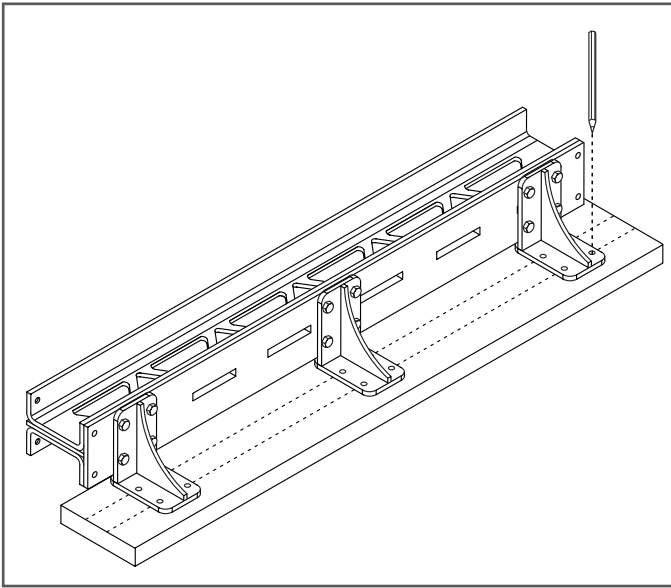


Figure 5

6. Lay the I-Beam on top of the header, centering it with the line drawn on the header. Ensure the track is 2" from either end of the header. Using a pencil, mark the hole positions in the brackets onto the header (Figure 5). Set the the I -Beam aside.

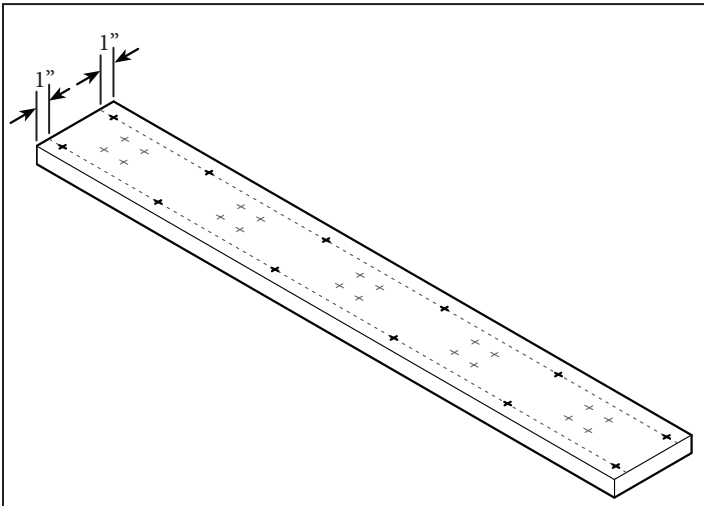


Figure 6

7. Mark the center of the stud onto the header. Mark 1" from the top edge and 1" above the bottom edge (Figure 6).

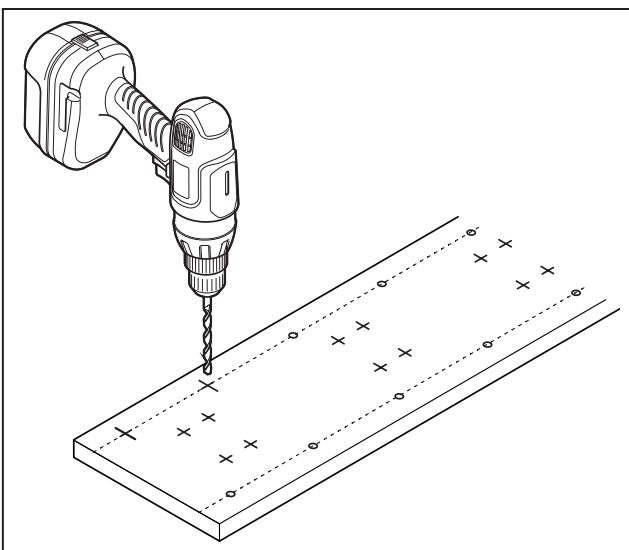


Figure 7

8. Drill pilot holes for the stud and bracket installation in the header with an 1/8" drill bit (Figure 7).

I-BEAM TROLLEY Assembly Instructions

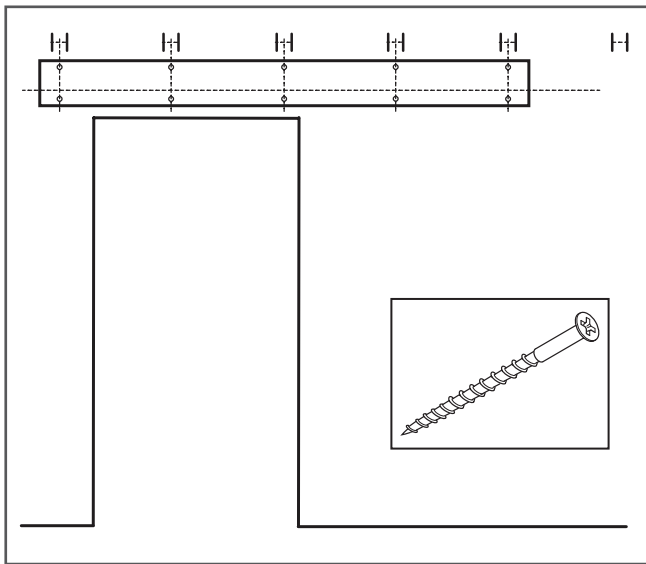


Figure 8

9. Align the line on the wall with the line made on the header in step 5. Ensure pilot holes align with wall studs (Figure 8).

10. Install header using 3" wood screws (Figure 8).

NOTE:

The I-beam track is heavy! Do not try to install the I-beam track to the header without help!

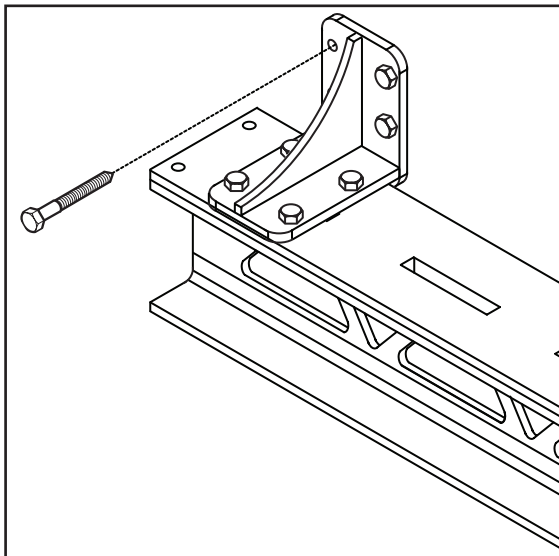


Figure 9

11. Install I-beam track with lag screws (B.) (provided) using a 9/16" socket wrench (Figure 9). Tighten all lag screws.

12. Hang the door by carefully sliding the wheels of the hanger into the I-Beam track (Figure 10).

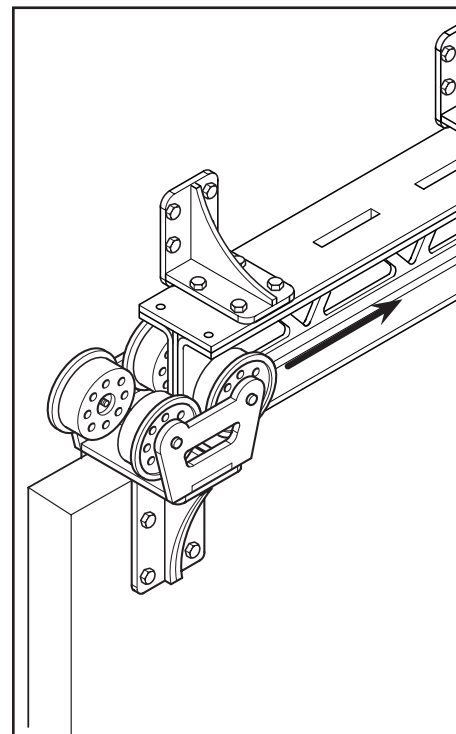


Figure 10

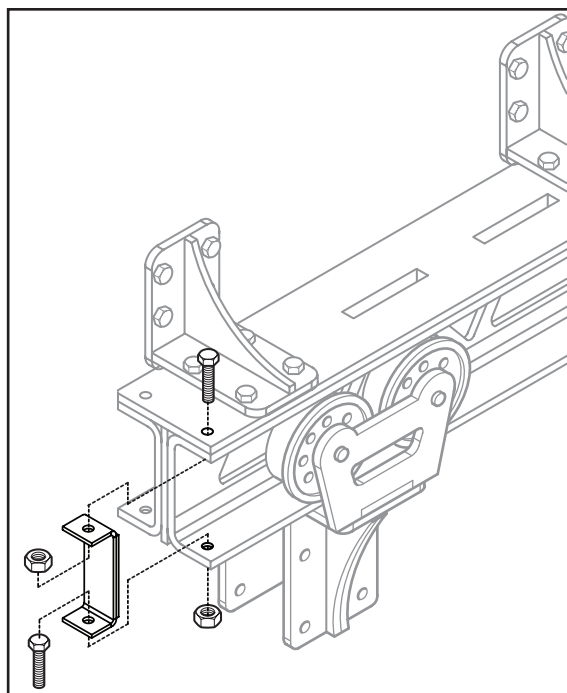


Figure 11

TRACK STOP INSTALLATION

13. Install the track stops (G.) by sliding the stop into both sides of the I-beam track end. Align the holes in the stop with the holes on the end of the I-beam track (Figure 11).
14. Install the track stop using two bolts (D.) and nuts (E.) (Figure 11).
15. Repeat steps 15 and 16 for the opposite end of the tracks.

NOTE:

If installing a bi-parting system your center stops will be secured with the same bolts as your splice plate.

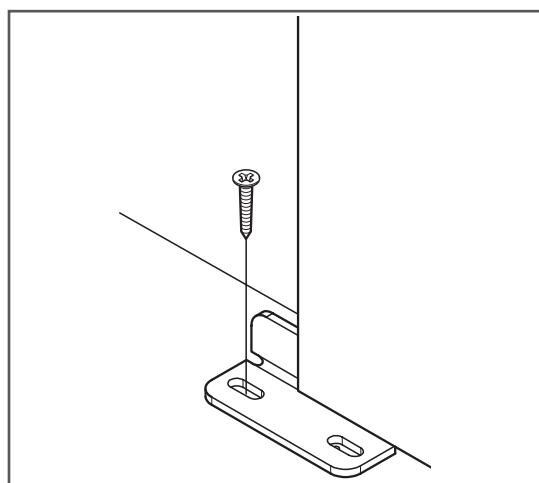


Figure 12

DOOR GUIDE INSTALLATION

16. With the door in the closed position, ensure the door is hanging straight using a bubble level.
17. Position the Door Guide part way into the groove in the bottom of the door (Figure 12).

SUGGESTION:

Use double stick tape on the bottom of the door guide to hold the guide in place.

I-BEAM TROLLEY Assembly Instructions

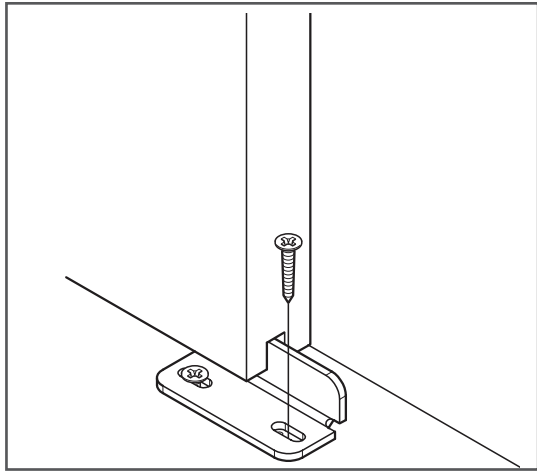


Figure 13

18. Install the Door Guide using a 1" phillips screw (provided) and a drill with a phillips bit.

19. Slide the door toward the open position until the other side of the Door Guide is exposed.

20. Install the second 1" phillips screw (provided) using a drill with a phillips bit (Figure 13).

WE LOVE WHAT YOU ARE DOING WITH THE PLACE

**CONGRATULATIONS ON YOUR DECISION TO BRING HOME
AN AMERICAN MADE PRODUCT OF THE HIGHEST QUALITY.
WE HOPE YOUR I-BEAM TROLLEY BRINGS ART AND FUNCTION INTO
YOUR LIFE.**

**DESIGNED AND CRAFTED
ENTIRELY IN THE**

U.S.A.



**DON'T BE A STRANGER. FOLLOW US
ON SOCIAL MEDIA.**



support@rusticahardware.com