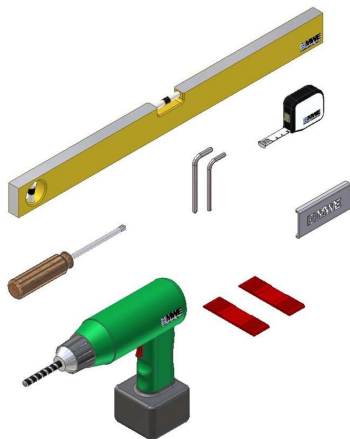


Installation Instruction

System Akzent (ST.1040.AK)

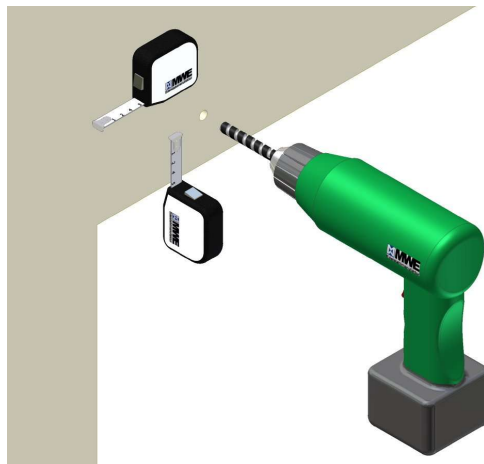
Am Steinbusch 7
D - 48351 Everswinkel
Tel.: +49(0)2582-9960- 0
Tel.: +49(0)2582-9960-128
Internet: www.mwe.de



Tools

- water level
- measuring tape/ folding meter
- power drill
- drill D=8mm / D=10mm
- crosstip screwdriver
- allen key set
- glass shims
- special tool Akzent

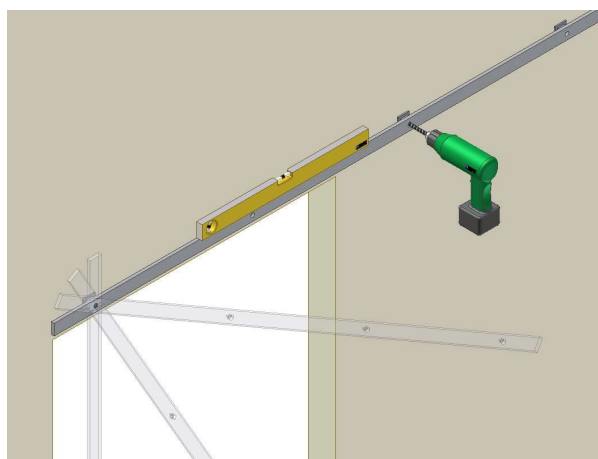
Please read power drill safety instructions carefully before installation.



1

First Wall Hole

Before drilling the first wall drilling, the highest point from the top edge-finished floor level has to be found out via water level. From this point the height of the running rail pivot (according to the detailed planning) as well as the lateral distance have to be mark. The first wall drilling can be made.



2

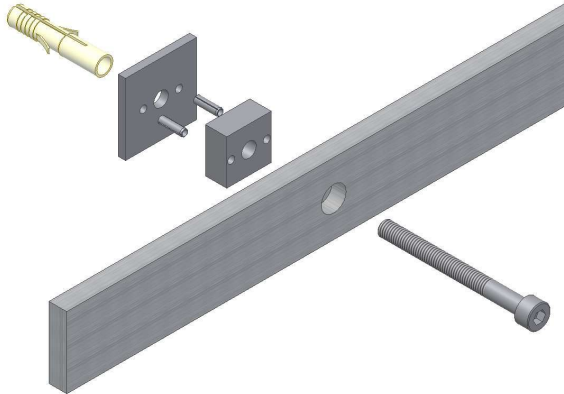
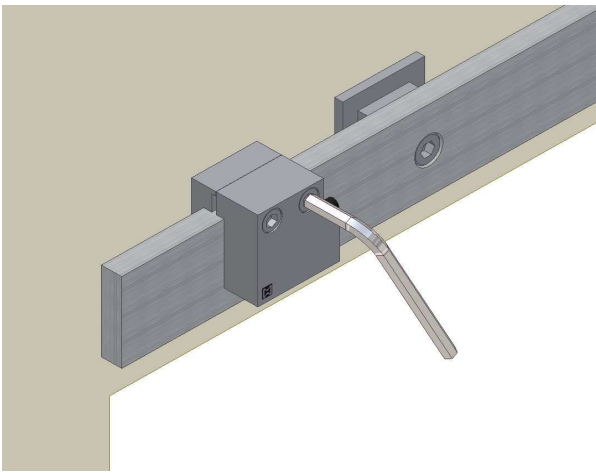
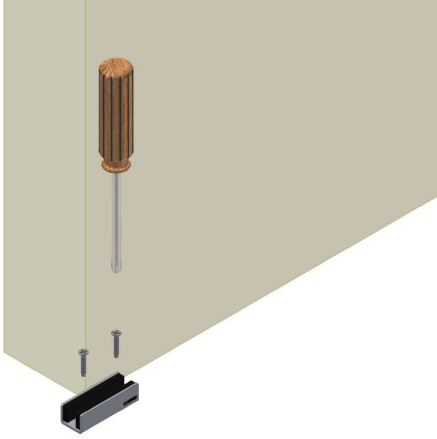
Further Wall Holes

Mount loosely outer wall fasteners for runner rail (see step 3). Adjust runner rail into horizontal position using water level. Use runner rail as your "drilling template" to drill all necessary fastening holes with 8 mm drill. Use 10 mm drill to widen holes for anchors.

Installation Instruction

System Akzent (ST.1040.AK)

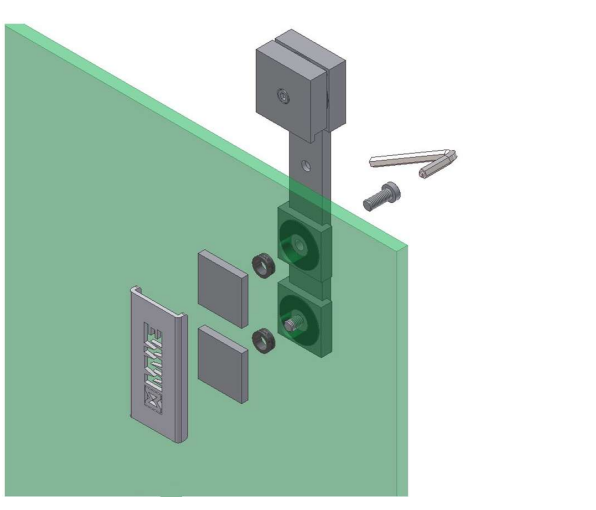
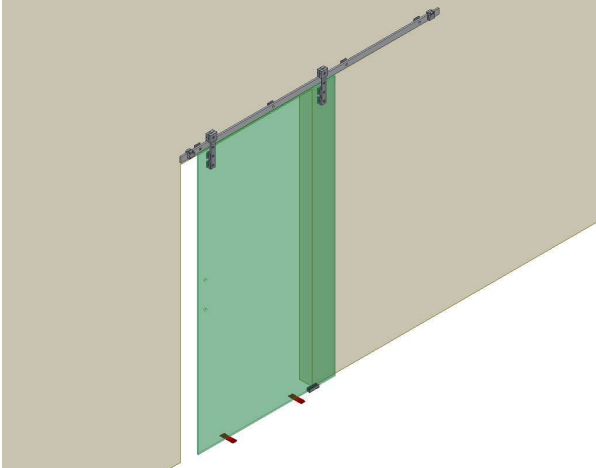
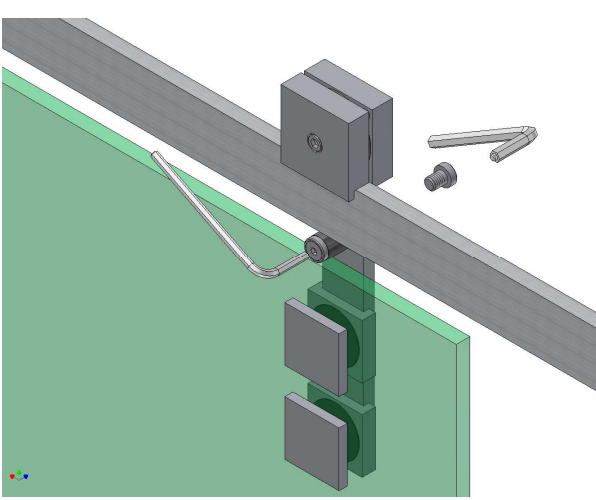
Am Steinbusch 7
D - 48351 Everswinkel
Tel.: +49(0)2582-9960- 0
Tel.: +49(0)2582-9960-128
Internet: www.mwe.de

	<p>3</p> <p>Wall Fastening of Runner Rail</p> <p>Mount runner rail to wall with MWE mounting material.</p>
	<p>4</p> <p>Installation of the stoppers</p> <p>Secure door stoppers on the left and on the right side of runner rail in a way that will prevent the sliding door from rolling off the rail.</p>
	<p>5</p> <p>Installation of the floor guide</p> <p>Install floor guide according to your planning detail using MWE installation material. Door leaf must run in a parallel line to wall in given distance.</p>

Installation Instruction

System Akzent (ST.1040.AK)

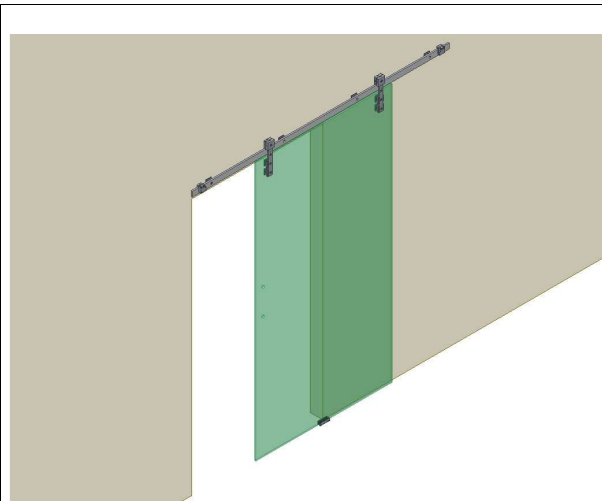
Am Steinbusch 7
D - 48351 Everswinkel
Tel.: +49(0)2582-9960- 0
Tel.: +49(0)2582-9960-128
Internet: www.mwe.de

	<p>6 Mounting the carriages</p> <p>Rest Door leaf on mounting rests with the hardware facing upwards. Disassemble roller, security bolt and glass mounts Hold glass mount spacers to holes. Apply roller shank including mounting bolts and secure from the opposite side using the glass fastening covers. Attention: Do not lose plastic bushings of glass mounts. Use the special tool Akzent for parallel adjustment of the glass fastening covers.</p>
	<p>7 Mounting the door leaf</p> <p>Hang preassembled sliding door onto the runner rail. For safety reasons and for adjustment of floor distance (7 mm) put the glass shims on the floor underneath the door leaf. Note preassembled floor guide! Glass shims are to be removed afterwards.</p>
	<p>8 Mounting the safety bolt</p> <p>Reassemble safety bolt to roller and adjust by using extender wheel or long hole. Attention: Do not leave any space between safety bolt and runner rail!</p>

Installation Instruction

System Akzent (ST.1040.AK)

Am Steinbusch 7
D - 48351 Everswinkel
Tel.: +49(0)2582-9960- 0
Tel.: +49(0)2582-9960-128
Internet: www.mwe.de



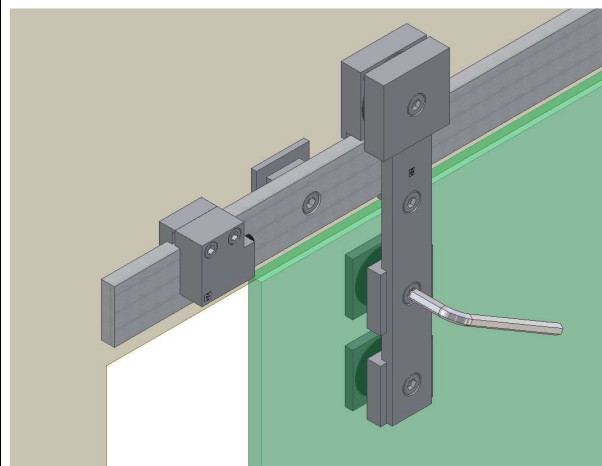
9

Final control of the sliding door

Control smooth movement of sliding doors and final door position via door stopper adjustment left and right.

Secure stopper bolts tightly!

Install door handles or door knobs, respectively.



10

Tightening of bolts

After completion of installation make sure that every single bolt is once again securely tightened!