

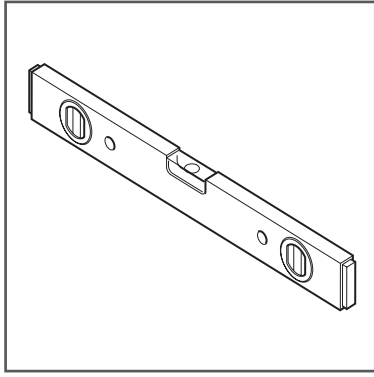


MEAD DOOR

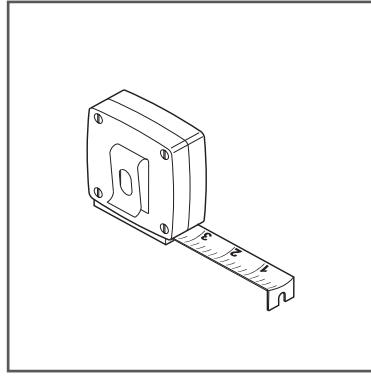
INSTALLATION INSTRUCTIONS



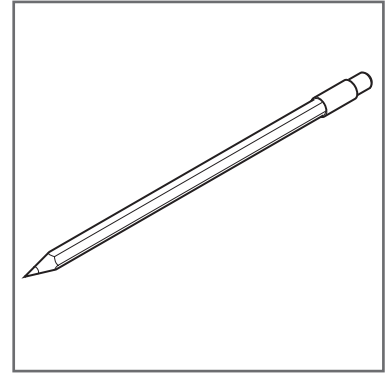
MEAD DOOR Recommended Tools



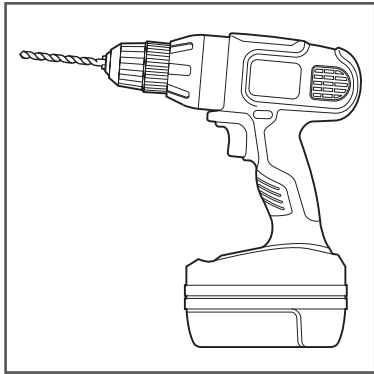
Level



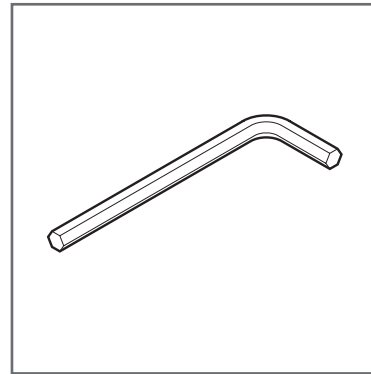
Tape Measure



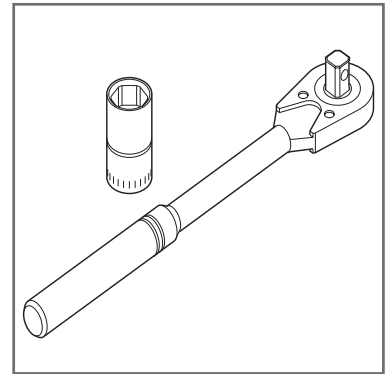
Pencil



Drill with 1/8", and 1/4",
Drill Bits and Phillips Bit

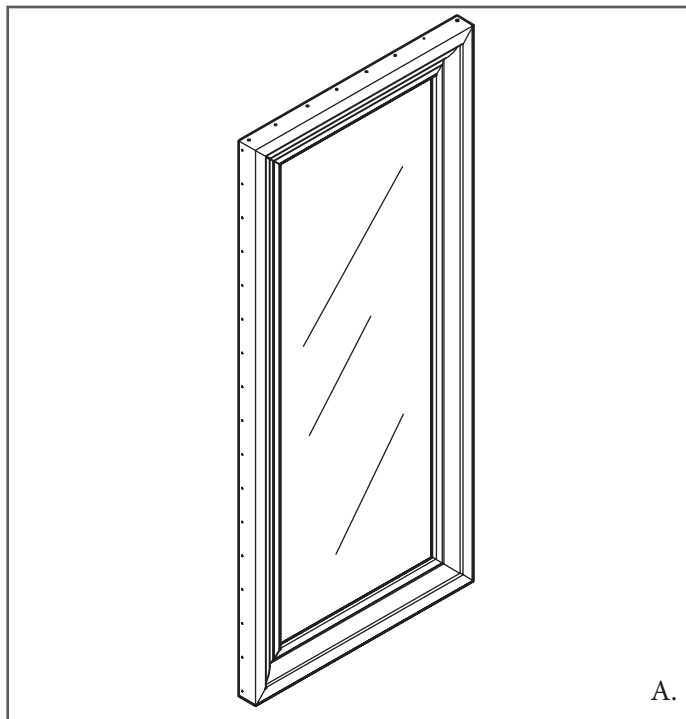


3/32" Allen Wrench

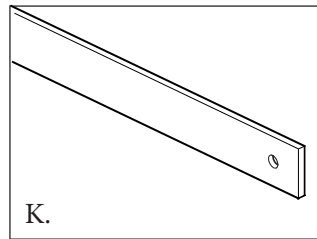
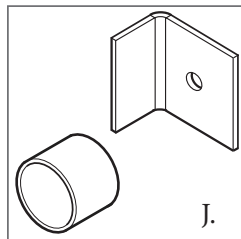
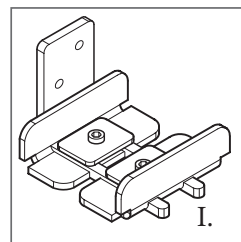
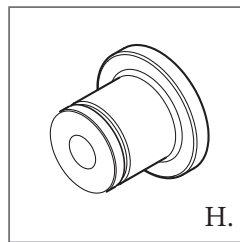
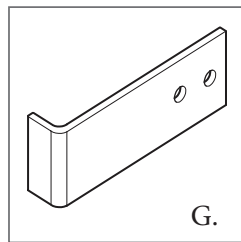
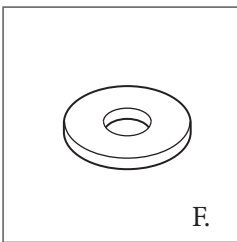
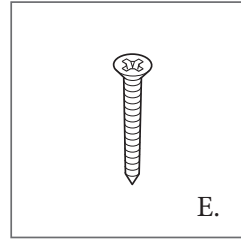
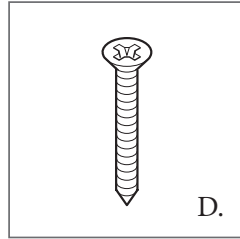
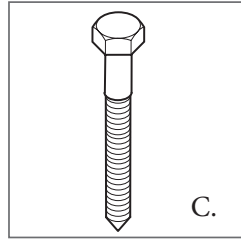
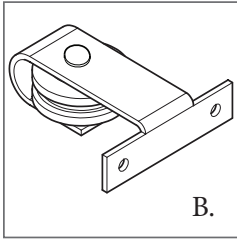


Socket Wrench with
9/16" Socket

MEAD DOOR Parts



NOTE:
THE FOLLOWING INSTRUCTIONS ARE FOR FLAT TRACK SYSTEMS ONLY. DO NOT ATTEMPT TO USE ON TUBE, BOX, BYPASS, J TRACKS, OR CEILING MOUNT TRACK SYSTEMS.



- PARTS**
- A. Door
 - B. Hanger Assembly
 - C. Lag Screw
 - D. Fastener Screw
 - E. Phillips Screw
 - F. 1" Washer
 - G. Anti-jump Bracket
 - H. Adjustable Spacers
 - I. Door Guide
 - J. Hard Stop & Rubber Bumper
 - K. Track

USE TEAMWORK - WE RECOMMEND TWO PEOPLE FOR THIS BUILD.

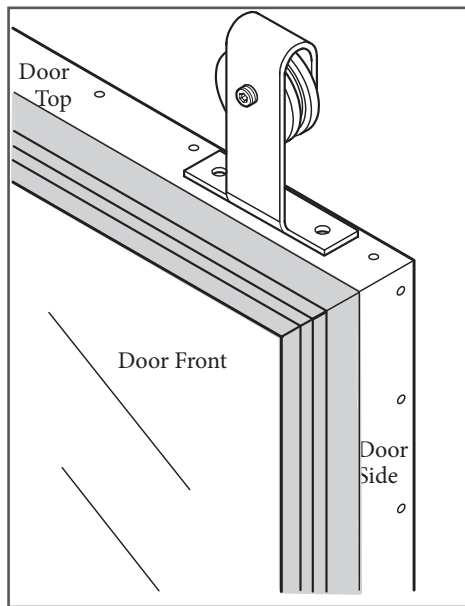


Figure 1

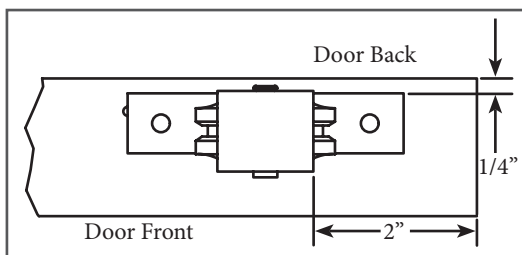


Figure 1A

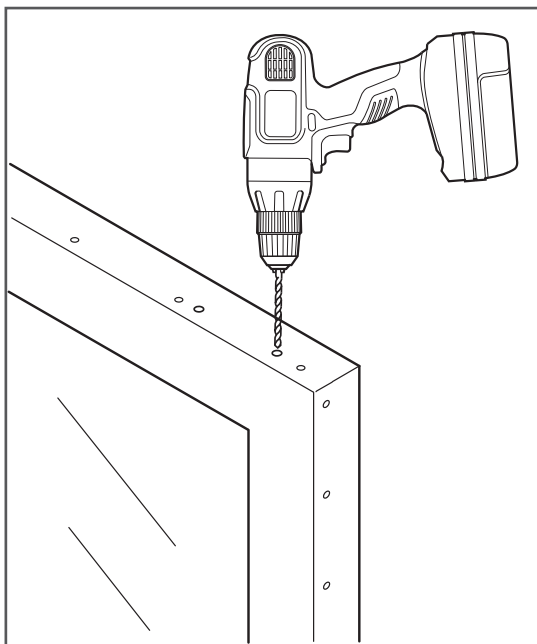


Figure 2

HANGER INSTALLATION

1. Place the hanger (A.) on the top surface of the door 1/4" from the back edge of the door and 2" from the door side. Ensure the front of the hanger and the front of the door are facing the same direction (Figure 1 and Figure 1A).

2. Using a pencil, mark the screw hole placement on the door top.

NOTE:

If a pop rivet conflicts with a pilot hole it may be removed from the top of the door. The screws mounting the hanger will resecure the decorative metal to the core of the door.

3. Repeat steps 1 and 2 for the opposite end of the door.

4. Drill two pilot holes for each hanger using an 1/8" bit (Figure 2).

5. Attach the hanger to the door using two fastener screws (C.). Repeat the process on the opposite end of the door (Figure 3).

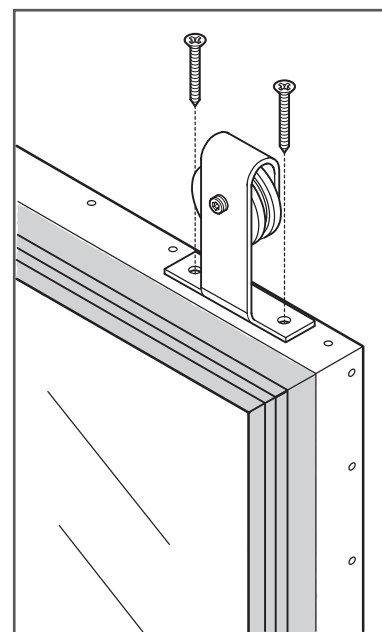


Figure 3

FIRST THINGS FIRST

Check to see if the floor below the track area is level. If the floor rises more than 1/2" the door may rub or not slide open completely. If the floor is not level, measure from the highest point of the floor surface to the recommended track placement and adjust track placement accordingly.

Ensure the track will be installed onto wall studs. If wall studs are not lining up with the installation a header will be required to provide the necessary strength and stability for the track and door.

TRACK & DOOR INSTALLATION

1. To determine where the track should be installed, first measure the height of the door, then add 2-1/8" to the door length. 1/2" will be for the clearance between the bottom edge of the door and the floor. 1-5/8" will be from the top edge of the door to the center of the track. (Figure 1).

2. Using a level and a pencil, make a line above the doorway the same length as the track.

3. Hold the track up to where the pencil line is visible through the holes in the track (Figure 2).

SUGGESTION:
Use pieces of double stick tape on the back of the track to help hold the track in place while completing steps 2 and 3.

4. Mark an intersecting line in the center of each track hole (Figure 2).

5. Take the track down, remove double stick tape (if used) and set the track aside.

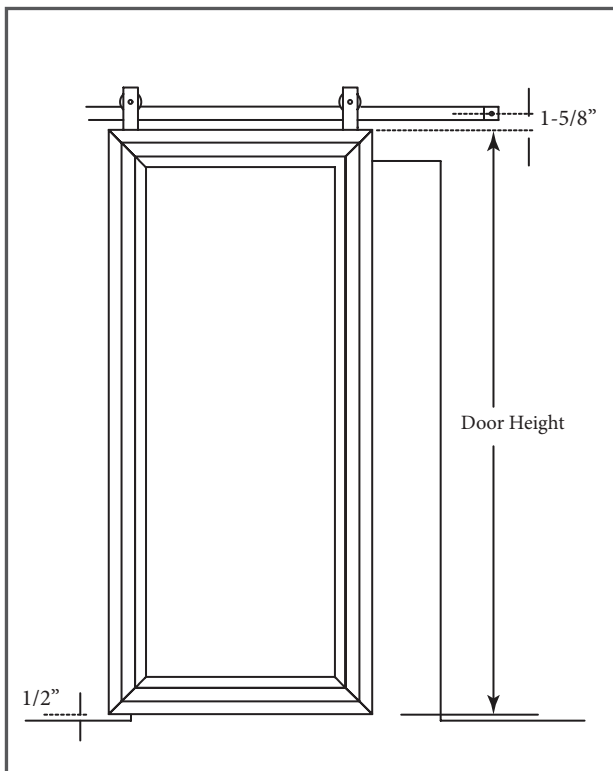


Figure 1

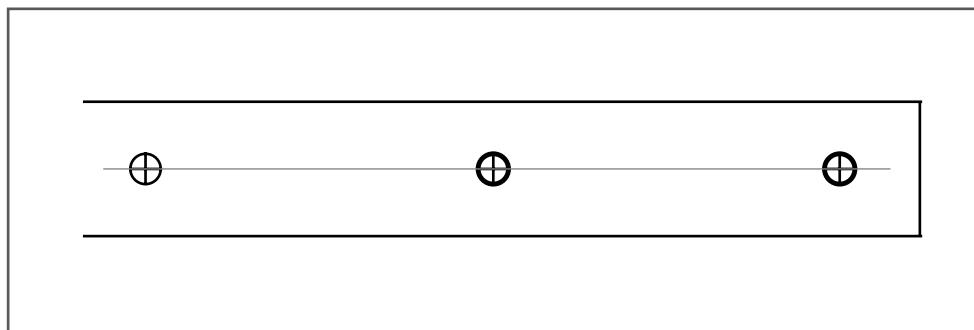


Figure 2

MEAD DOOR Track & Door Installation Instructions

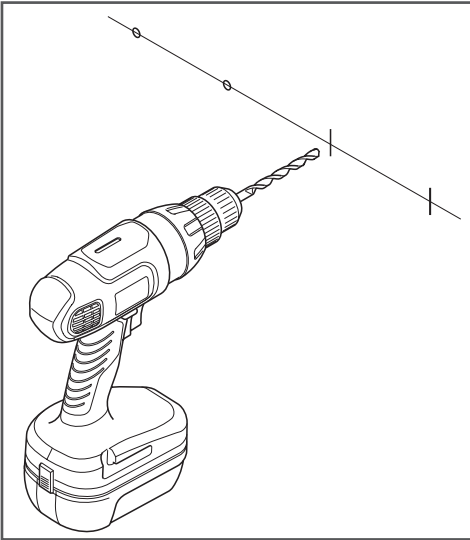


Figure 3

6. Drill out the marked holes using a drill with a 1/4" drill bit (Figure 3).

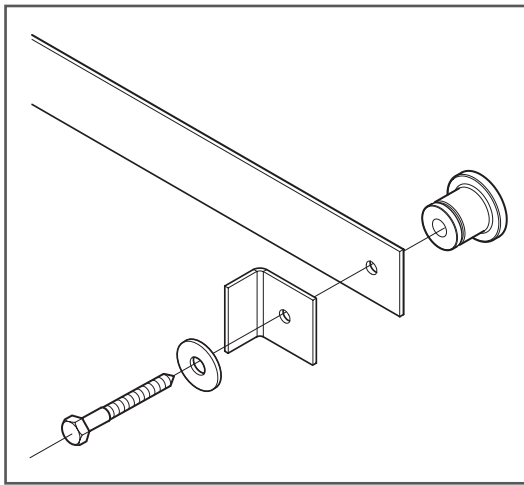


Figure 4

7. Attach one end of the track to the wall with one hard or soft stop, one lag screw, and one washer (provided) using a socket wrench with 9/16" socket (Figure 4). Do not tighten.

8. Repeat step 7 for the other end of the track.

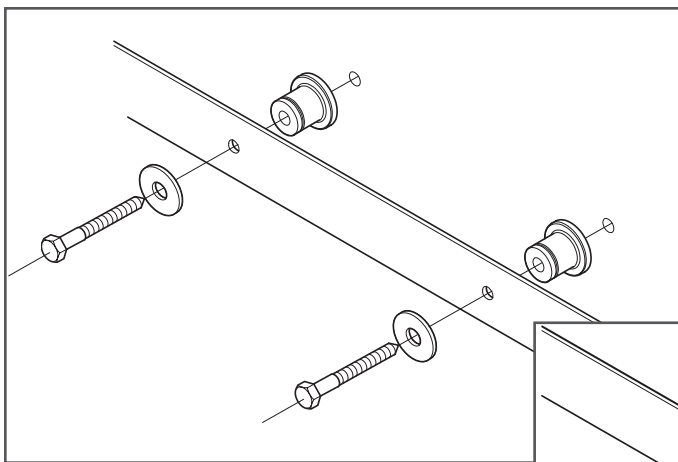


Figure 5

9. Install remaining spacers with lag screws and washers (provided) using a 9/16" socket wrench (Figure 5). Tighten all lag screws.

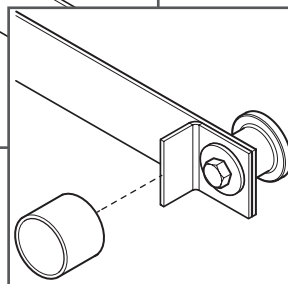


Figure 5A

10. Stretch rubber bumper (provided) over hard stop. Repeat for the hard stop on the other end of the track (Figure 5A).

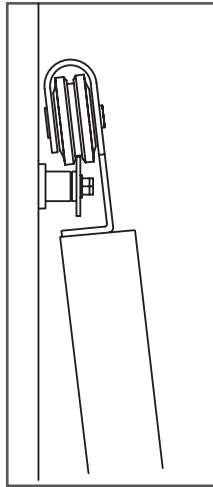


Figure 6

11. Hang the door (Figure 6).

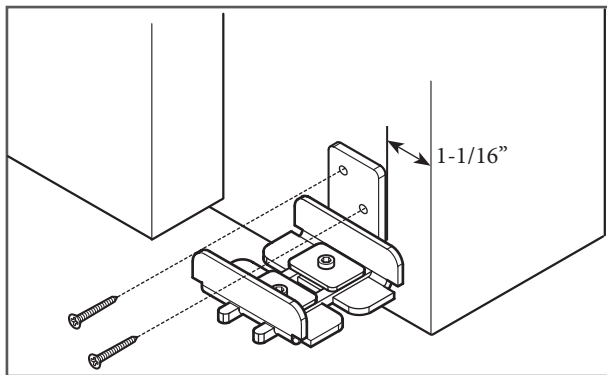


Figure 7

DOOR GUIDE INSTALLATION

12. Slide the door to the open position ensuring access to the wall. Mark a vertical line 1-1/16" from the edge of the door opening (Figure 7).

NOTE:

If the doorway has trim or molding, place the door guide backplate against the trim edge.

SUGGESTION:

Use double stick tape on the back of the door guide to hold the guide in place.

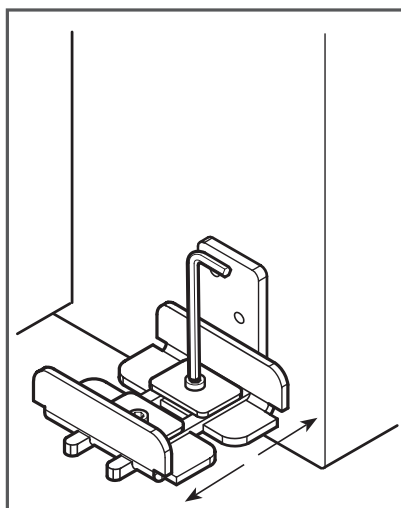


Figure 8

13. Using a 3/32" allen wrench, loosen the set screws on the U bracket to adjust for the width of the door (Figure 8).

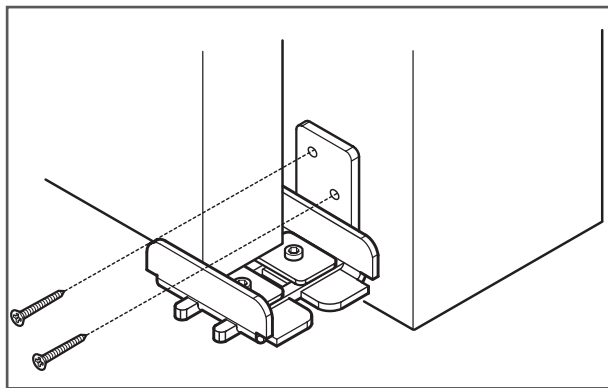


Figure 9

14. Slide the door partially over the U bracket to make sure the bracket is in the correct location (Figure 9). Slide the door back out of the way.

15. With a drill and a phillips bit, install phillips screws into each hole in the bracket back plate.

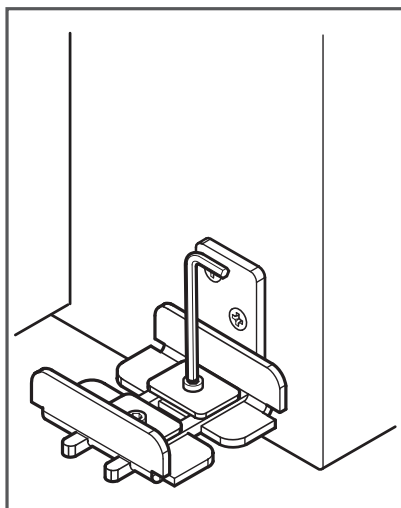


Figure 10

16. Tighten the U bracket set screws (Figure 10).

ANTI-JUMP GUIDE INSTALLATION SIDE

17. Place the Anti-Jump bracket on the door side, moving the bracket up until it is between 1/8" and 1/16" from the bottom edge of the track. Mark the placement with a pencil.

SUGGESTION:

Use double stick tape on the back of the anti-jump bracket to hold it in place on the door.

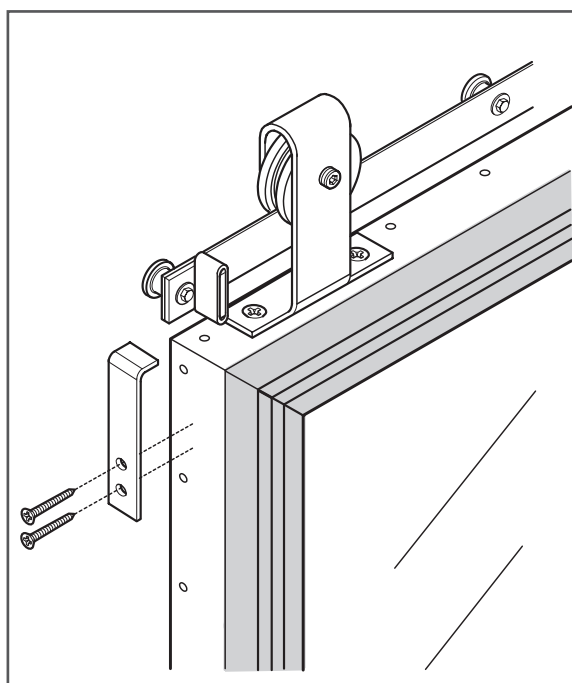


Figure 11

18. Install the bracket to the door edge with 2 phillips screws (E.) using a drill with a phillips bit (Figure 11).

19. Repeat steps 17 and 18 for the opposite end of the door.

ANTI-JUMP GUIDE INSTALLATION BACK

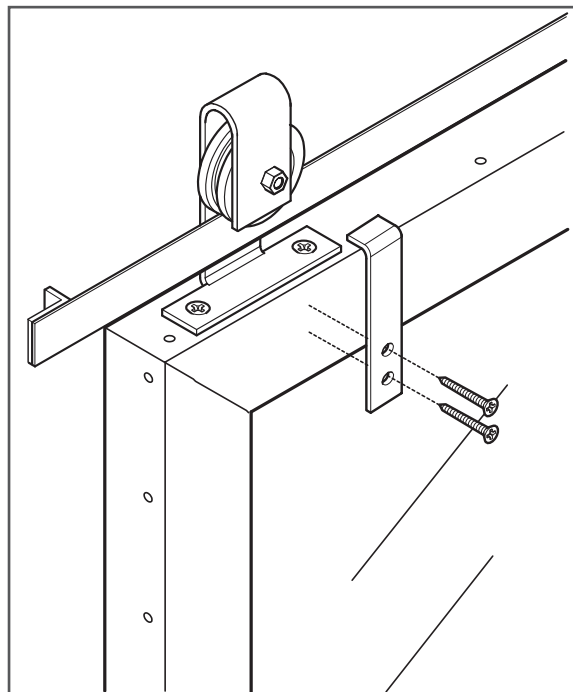


Figure 12

20. Place the Anti-Jump bracket on the door back, moving the bracket up until it is between 1/8" and 1/16" from the bottom edge of the track. Mark the placement with a pencil.

SUGGESTION:

Use double stick tape on the back of the anti-jump bracket to hold it in place on the door.

21. Install the bracket to the back of the door with 2 phillips screws (E.) using a drill with a phillips bit (Figure 12).

22. Repeat steps 20 and 21 for the opposite end of the door.

WE LOVE WHAT YOU ARE DOING WITH THE PLACE

**CONGRATULATIONS ON YOUR DECISION TO BRING HOME
AN AMERICAN MADE PRODUCT OF THE HIGHEST QUALITY.
WE HOPE YOUR MEAD DOOR BRINGS ART AND FUNCTION INTO YOUR
LIFE.**

**DESIGNED AND CRAFTED
ENTIRELY IN THE**

U.S.A.



**DON'T BE A STRANGER. FOLLOW US
ON SOCIAL MEDIA.**



support@rusticahardware.com