

Cross Roads Coffee Table

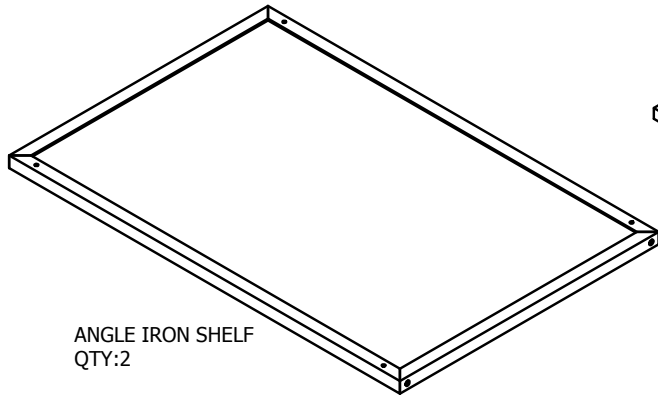


What's Included

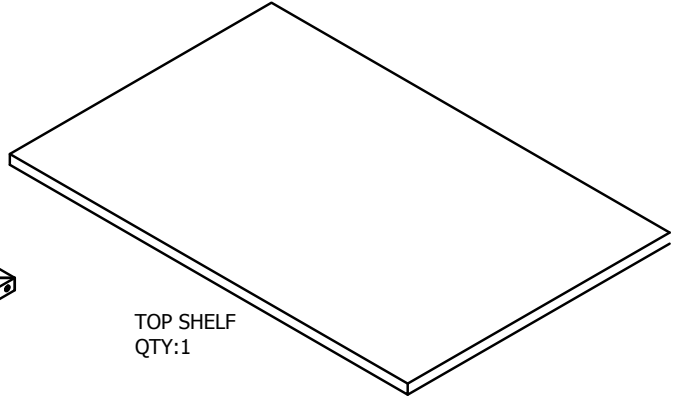
GRABBER SCREWS
QTY: 8



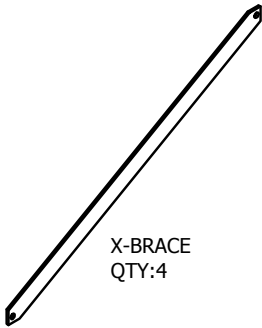
BUTTON HEAD BOLTS
QTY: 8



ANGLE IRON SHELF
QTY:2



TOP SHELF
QTY:1



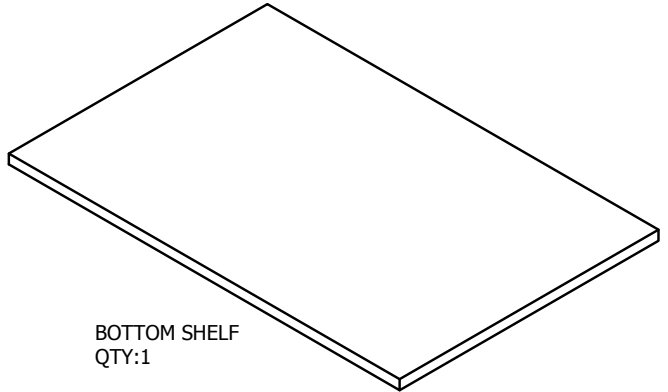
X-BRACE
QTY:4



LEG1
QTY:2



LEG2
QTY:2

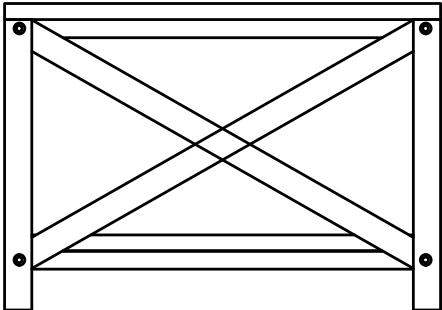


BOTTOM SHELF
QTY:1

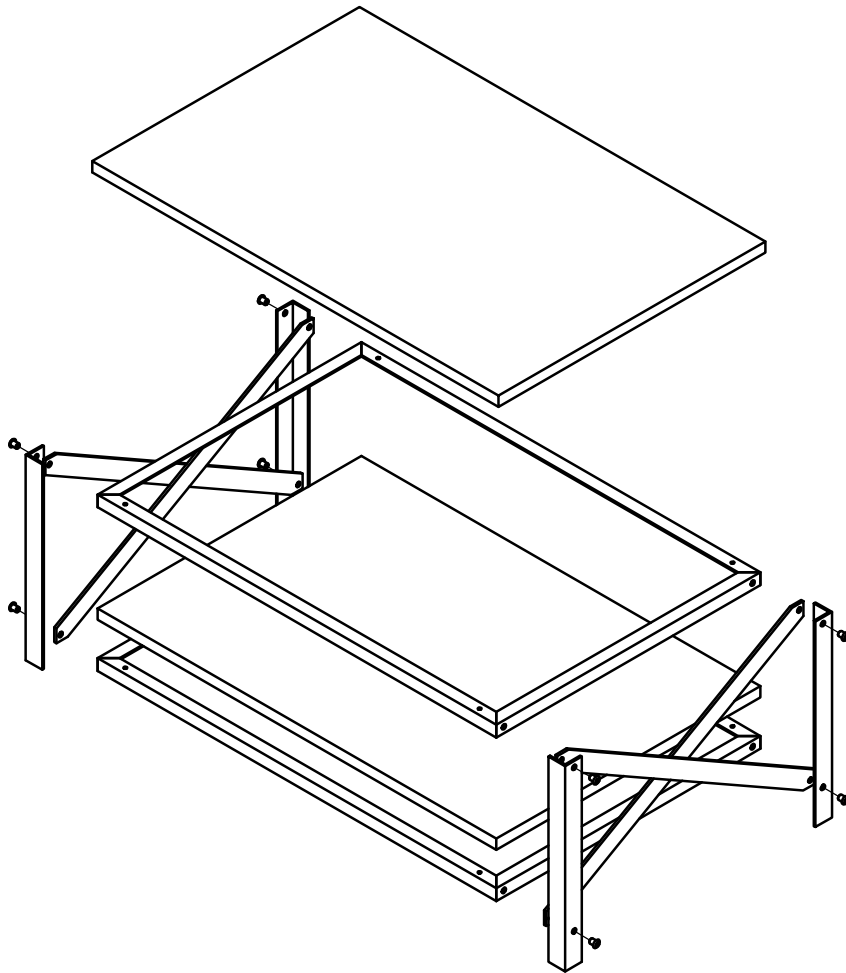


Dimensions

All measurements are in inches.



Assembly Instructions



1. Bolt all of the metal frame together, so one bolt will go through a leg and X brace and a angle iron shelf. Once all 8 bolts are in place attach the wood shelf to the angle iron shelf with the grabber screws
2. Assemble the metal angle iron frame using a $7/32$ " Allen wrench to bolt the frame together using the button head bolts.
3. Using a Phillips head screwdriver, attach the wood shelves to the angle iron shelves using grabber screws.

Note the top shelf is slightly larger than the bottom shelf.



WE LOVE WHAT YOU'RE DOING WITH THE PLACE

Congratulations on your decision to bring home an American-made product of the highest quality. We hope your Cross Roads Coffee Table brings art and function into your life.

