

Ranch Cabinet



Ranch Cabinet



Attaching your Ranch Cabinet

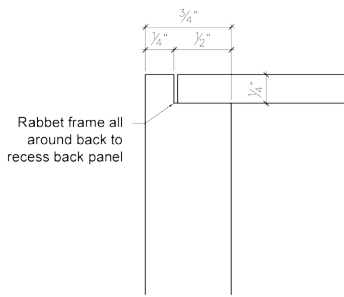
IMPORTANT!

Attach the cabinet to your wall through studs on either one of the sides through the top and bottom stability slats.

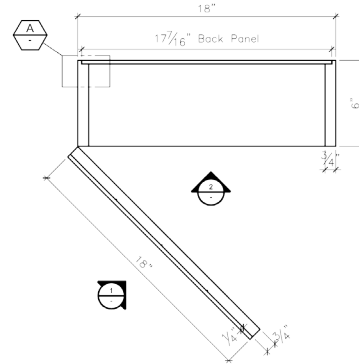


Small Ranch Cabinet

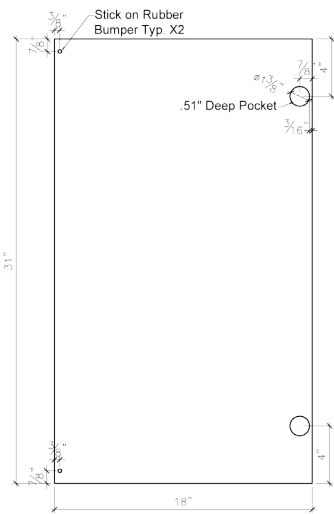
Measurements



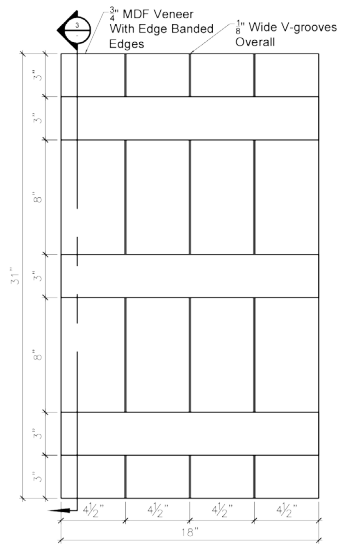
DETAIL
SCALE: 6"=1'-0" **A**



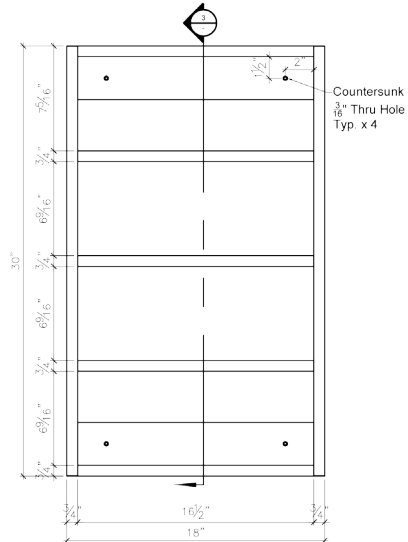
PLAN SECTION **4**
SCALE: 1-1/2"=1'-0"



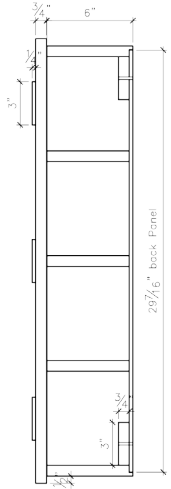
Door Hinge Prep Details **5**
SCALE: 1-1/2"=1'-0"



Door Elevation **1**
SCALE: 1-1/2"=1'-0"



Cabinet Elevation **2**
SCALE: 3/4"=1'-0"

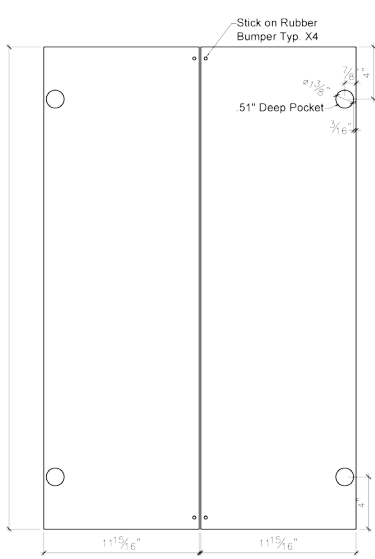
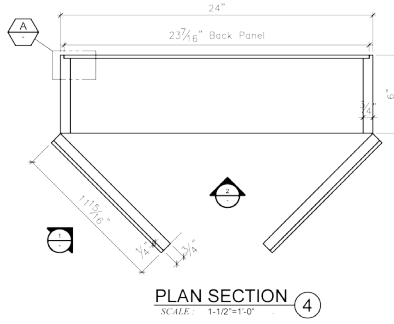
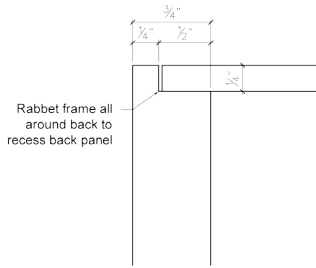


PLAN SECTION **3**
SCALE: 3/4"=1'-0"

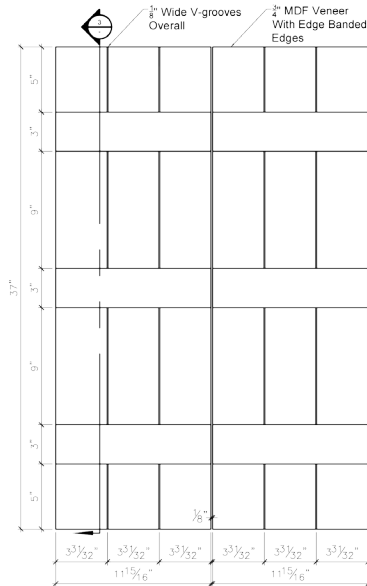


Large Ranch Cabinet

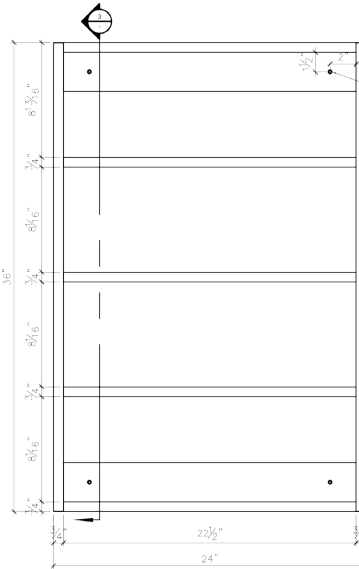
Measurements



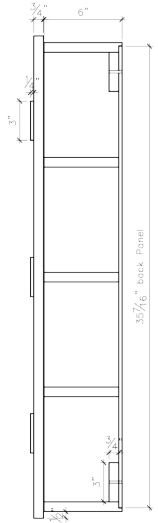
Door Hinge Prep Details
SCALE: 1'-1/2"=1'-0" 5



Door Elevation
SCALE: 1'-1/2"=1'-0" 1



Cabinet Elevation
SCALE: 3/4"=1'-0" 2



PLAN SECTION 3
SCALE: 3/4"=1'-0" 3



WE LOVE WHAT YOU'RE DOING WITH THE PLACE

Congratulations on your decision to bring home an American-made product of the highest quality. We hope your Ranch Cabinet brings art and function into your life.

