

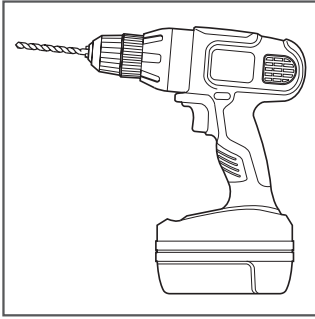


TUBE TRACK SYSTEM

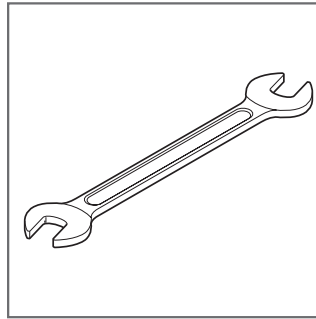
INSTALLATION INSTRUCTIONS



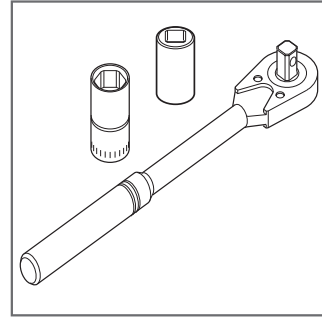
TUBE TRACK SYSTEM Recommended Tools



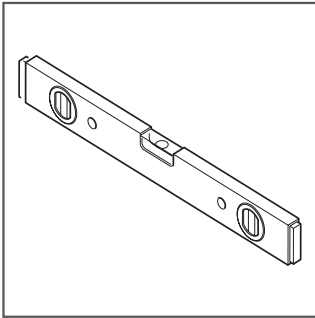
Drill with 1/8", 1/4", and 3/8"
Drill Bits, and Phillips Bit



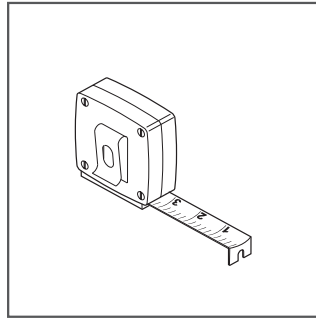
9/16" and 5/8"
Combination Wrench



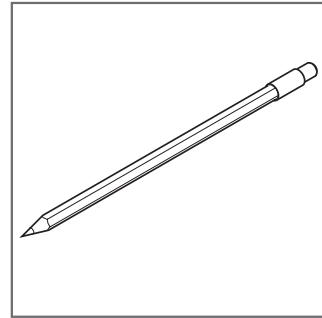
Socket Wrench with
9/16" and 5/8" Sockets



Level

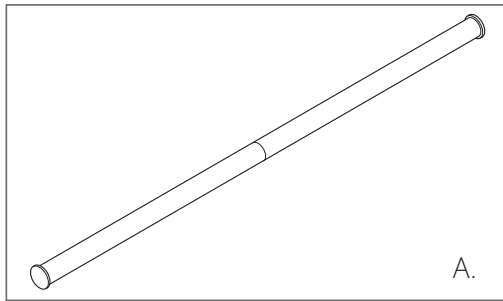


Tape Measure

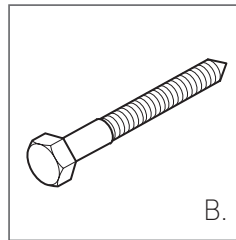


Pencil

TUBE TRACK SYSTEM Parts



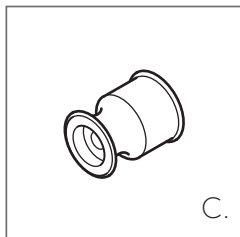
A.



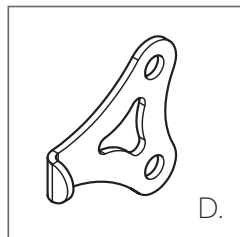
B.

PARTS

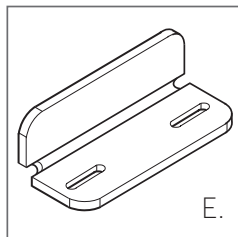
- A. Tube Track
- B. Lag Screw
- C. Track Support
- D. Door Stop
- E. Floor Mount Door Guide
- F. Phillips Screw
- G. Anti-jump Bracket



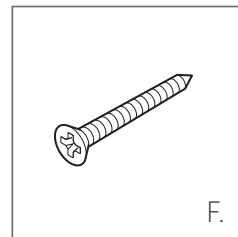
C.



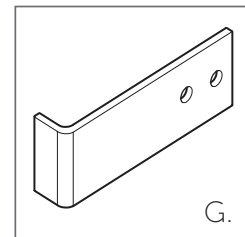
D.



E.



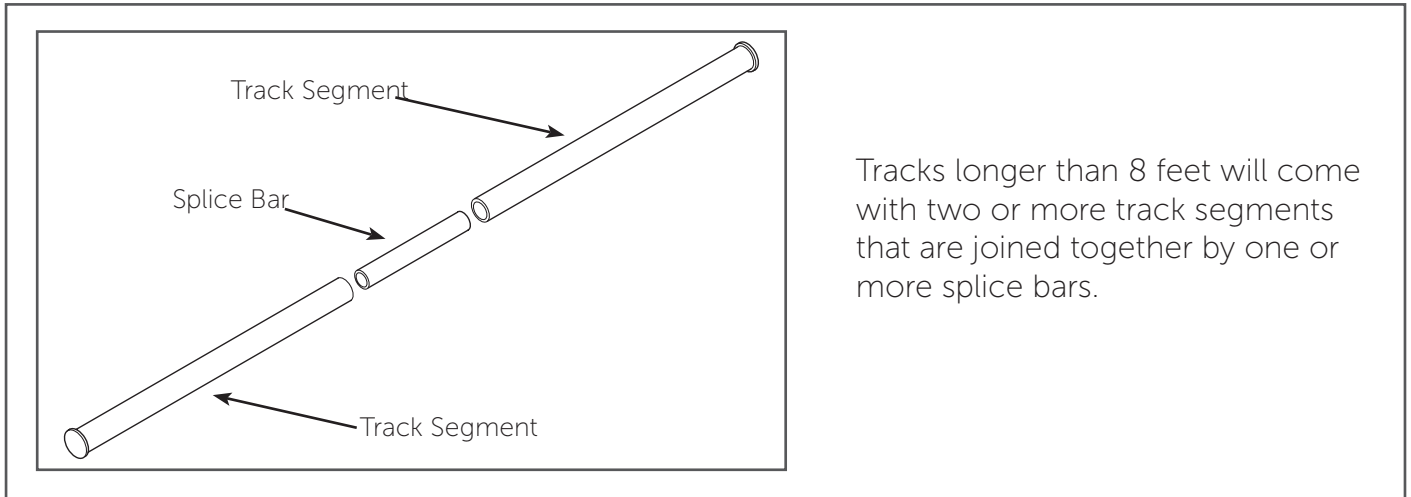
F.



G.

**USE TEAMWORK - WE RECOMMEND
TWO PEOPLE FOR THIS INSTALLATION.**

FOR TRACKS LONGER THAN 8 FEET:



Tracks longer than 8 feet will come with two or more track segments that are joined together by one or more splice bars.

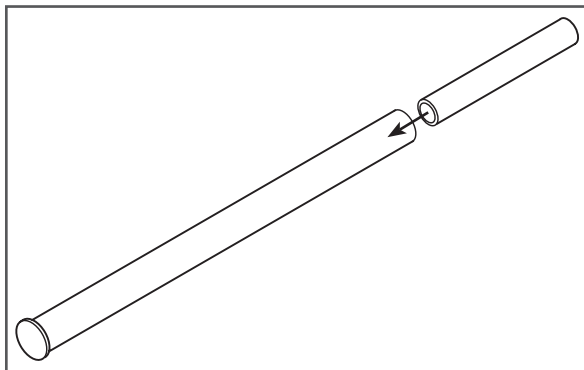


Figure 1

1. Slide the splice bar halfway into a track segment, aligning the hole in the splice bar with the hole in the track segment (Figure 1).

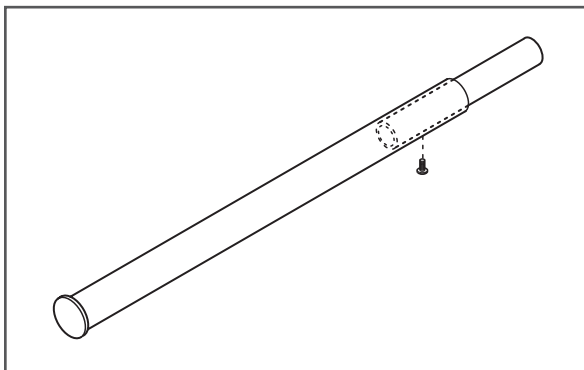


Figure 2

2. Insert the set screw (provided) into the hole in the track segment. Tighten the set screw (Figure 2).

3. Repeat steps 1 and 2 for the other track segment.

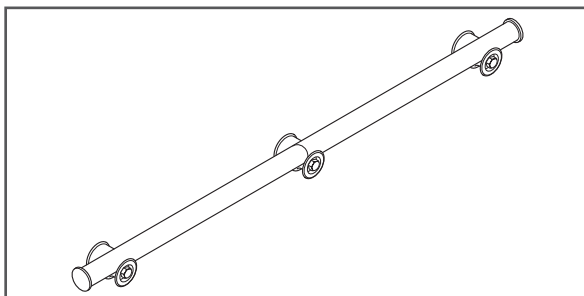


Figure 3

4. When installing the tube track, rotate the track so the set screws are facing the wall. For maximum strength, ensure a track support is supporting spliced sections (Figure 3).

TUBE TRACK SYSTEM Installation Instructions

FIRST THINGS FIRST

Check to see if the floor below the track area is level. If the floor rises more than 1/2" the door may rub or not slide open completely. If the floor is not level, measure from the highest point of the floor surface to the recommended track placement and adjust track placement accordingly.

Ensure the track will be installed onto wall studs. If wall studs are not lining up with the installation a header will be required to provide the necessary strength and stability for the track and door.

TRACK INSTALLATION

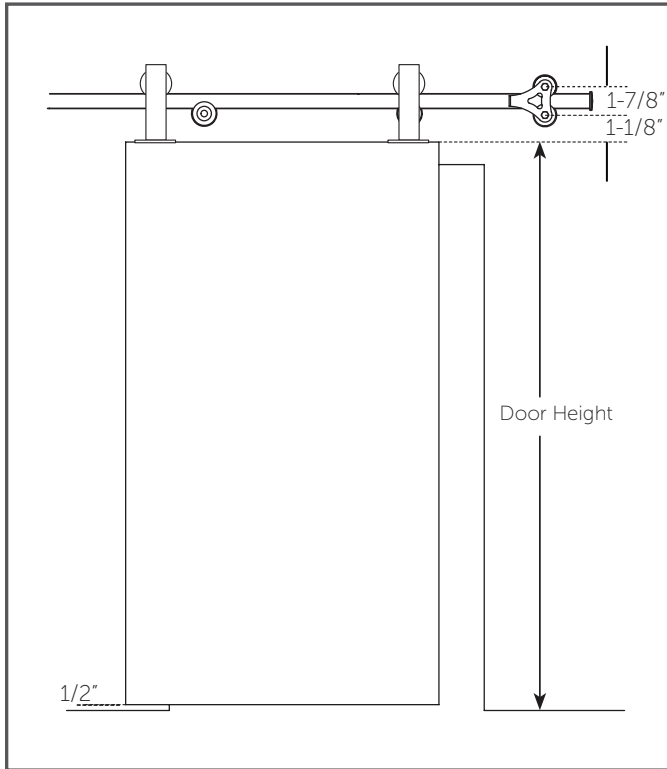


Figure 1

1. To determine where the track should be installed, first measure the height of the door, then add 1-5/8" to the door length. 1/2" will be for the clearance between the bottom edge of the door and the floor. 1-1/8" will be from the top edge of the door to the center of the lower spacer. (Figure 1).

2. Using a level and a pencil, make a line above the doorway the same length as the track.

3. Measure 1-7/8" above the line drawn in step 1. Using a level and a pencil, make a line above the first line the same length as the track (Figure 1).

4. Mark intersecting vertical lines through the top and bottom horizontal lines on both ends and the bottom only for the track supports in between. Ensure vertical lines are evenly spaced (Figure 2).

NOTE:
Ensure all vertical lines are centered on wall studs.

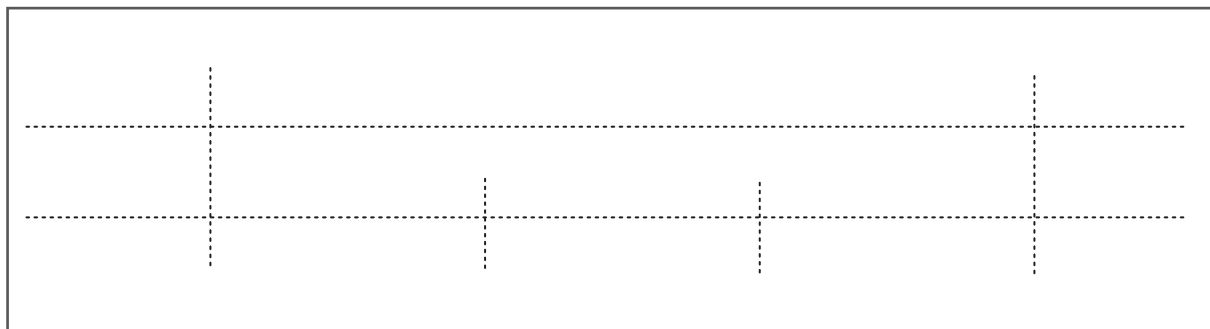


Figure 2

TUBE TRACK SYSTEM Installation Instructions

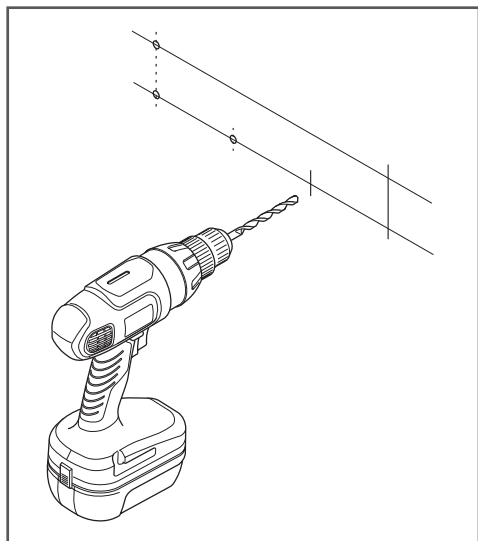


Figure 3

5. Drill out the marked intersecting lines using a drill with a 1/4" drill bit (Figure 3).

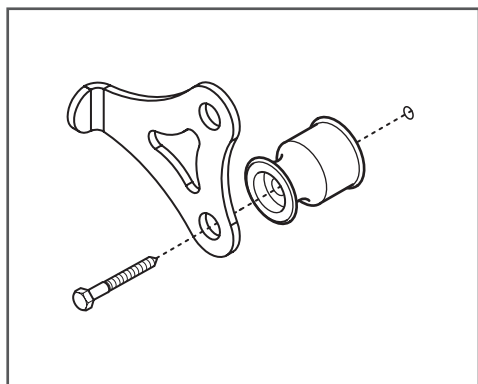


Figure 4

6. Install track lower supports (C.) and door stops (D.) for both ends of the track using lag screws (B.) (Figure 4). Do not tighten.

7. Install remaining lower track supports (C.) using lag screws (B.). Take care to not overtighten.

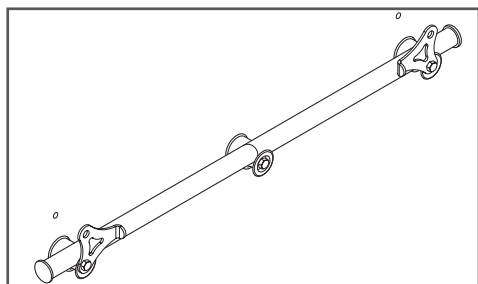


Figure 5

8. Center the track (A.) on top of the track supports (Figure 5).

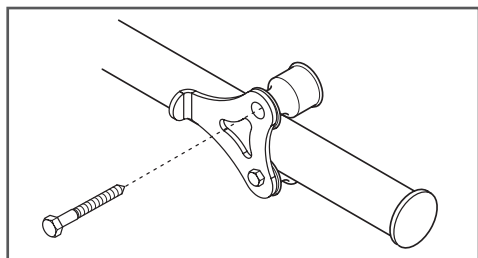


Figure 6

9. Rotate the stop (D.) if necessary, and install with the upper track support (C.) using a lag screw (B.). Tighten the upper and lower track supports (Figure 6). Repeat for the other end of the track.

DOOR GUIDE INSTALLATION

NOTE:
Doors using Floor Mount Door Guides will have a groove on the bottom. Ensure this groove is on the opposite end of the Door Hanger Installation.

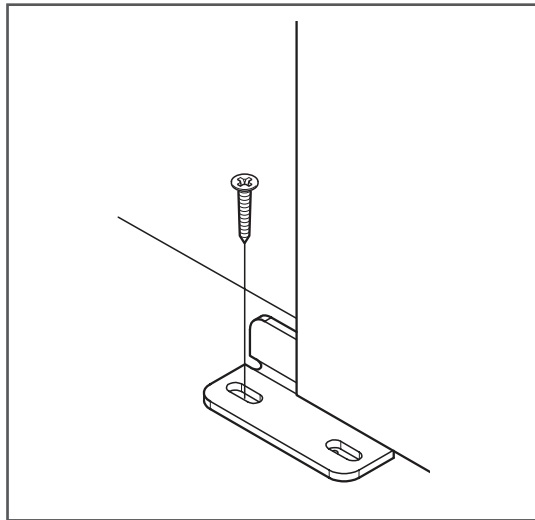
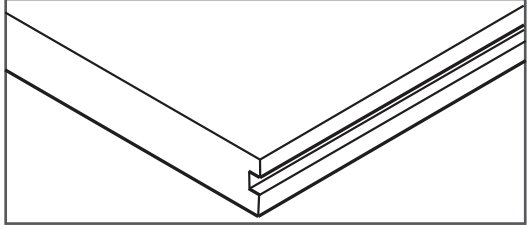


Figure 1

1. With the door in the closed position, ensure the door is hanging straight using a bubble level.

2. Position the door guide (E.) part way into the groove in the bottom of the door (Figure 1).

SUGGESTION:
Use double stick tape on the bottom of the door guide to hold the guide in place.

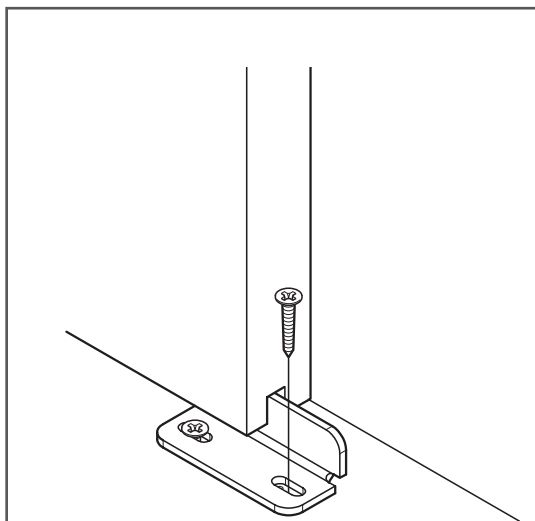


Figure 2

3. Install the Door Guide using a 1" phillips screw (F.) and a drill with a phillips bit.

4. Slide the door toward the open position until the other side of the Door Guide is exposed.

5. Install the second 1" phillips screw (F.) using a drill with a phillips bit (Figure 2).

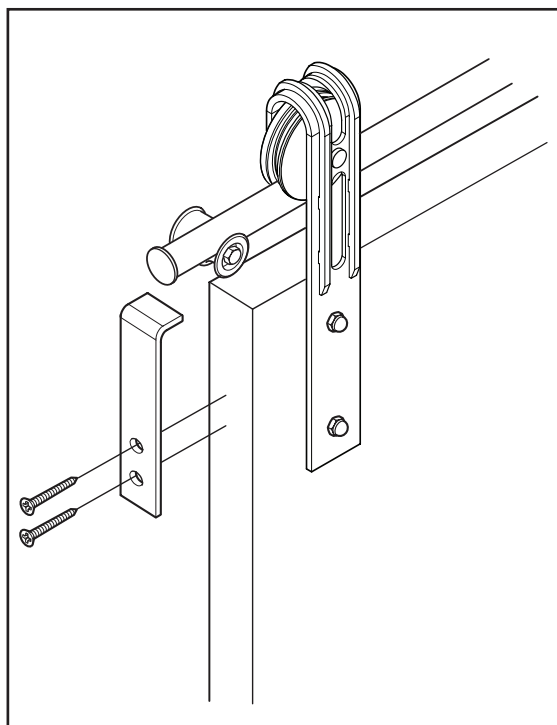


Figure 9

ANTI-JUMP GUIDE INSTALLATION

17. Place the Anti-Jump bracket on the door side, moving the bracket up until it is between 1/8" and 1/16" from the bottom edge of the rail. Mark the placement with a pencil.

SUGGESTION:

Use double stick tape on the back of the anti-jump bracket to hold it in place on the door.

18. Install the bracket to the door edge with 2 phillips screws (provided) using a drill with a phillips bit (Figure 9).

19. Repeat steps 17 and 18 for the opposite end of the door.

ANTI-JUMP BLOCK INSTALLATION FOR BI-PARTING DOORS

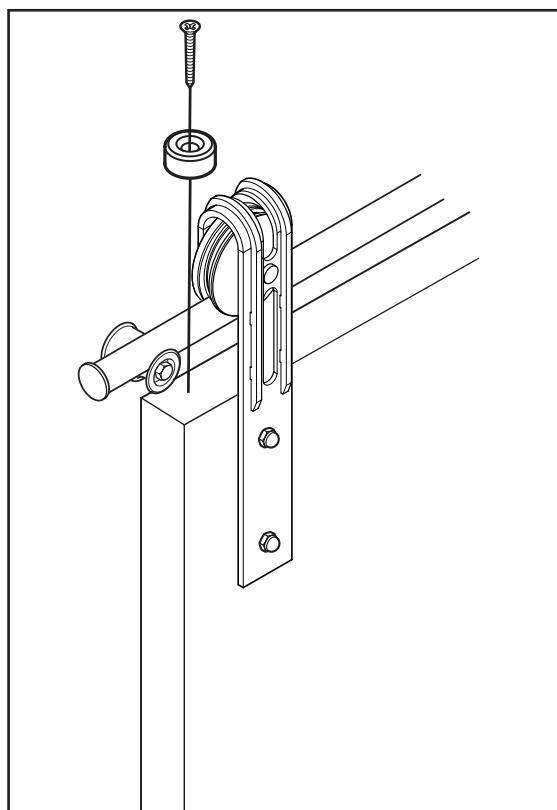


Figure 10

20. Place the Anti-Jump block on the top of the door (Figure 10). Using a drill with a phillips bit, install the the block with the 1" phillips screw (provided).

SUGGESTION:

Use double stick tape on the back of the anti-jump block to hold it in place on the door.

21. Repeat step 20 for the opposite end of the door.

WE LOVE WHAT YOU ARE DOING WITH THE PLACE

**CONGRATULATIONS ON YOUR DECISION TO BRING HOME
AN AMERICAN MADE PRODUCT OF THE HIGHEST QUALITY.
WE HOPE YOUR TUBE TRACK SYSTEM BRINGS ART AND FUNCTION
INTO YOUR LIFE.**

**DESIGNED AND CRAFTED
ENTIRELY IN THE**

U.S.A.



**DON'T BE A STRANGER. FOLLOW US
ON SOCIAL MEDIA.**



support@rusticahardware.com