

4

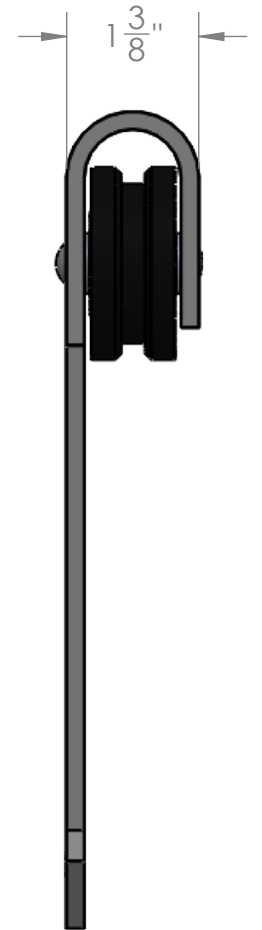
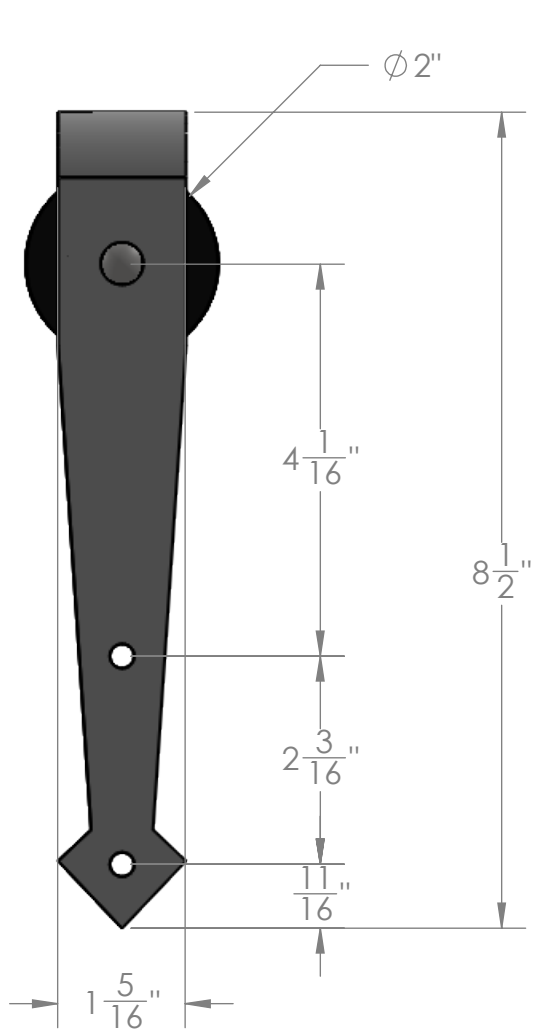
3

2

1

B


B



A

A

PROPRIETARY AND CONFIDENTIAL
 THE INFORMATION CONTAINED IN THIS DRAWING IS THE SOLE PROPERTY OF RUSTICA HARDWARE. ANY REPRODUCTION IN PART OR AS A WHOLE WITHOUT THE WRITTEN PERMISSION OF RUSTICA HARDWARE IS PROHIBITED.

		UNLESS OTHERWISE SPECIFIED:	NAME	DATE	 RUSTICA HARDWARE	
		DIMENSIONS ARE IN INCHES TOLERANCES: FRACTIONAL ± ANGULAR: MACH ± BEND ± TWO PLACE DECIMAL ± THREE PLACE DECIMAL ±	DRAWN	AZ		
		INTERPRET GEOMETRIC TOLERANCING PER:	CHECKED			TITLE:
		MATERIAL	ENG APPR.			MINI ARROW
		FINISH	MFG APPR.			SIZE DWG. NO. REV
NEXT ASSY	USED ON		Q.A.			B MINI SYSTEM -
APPLICATION		DO NOT SCALE DRAWING	COMMENTS:			SCALE: 1:2 WEIGHT: SHEET 1 OF 9

4

3

2

1

4

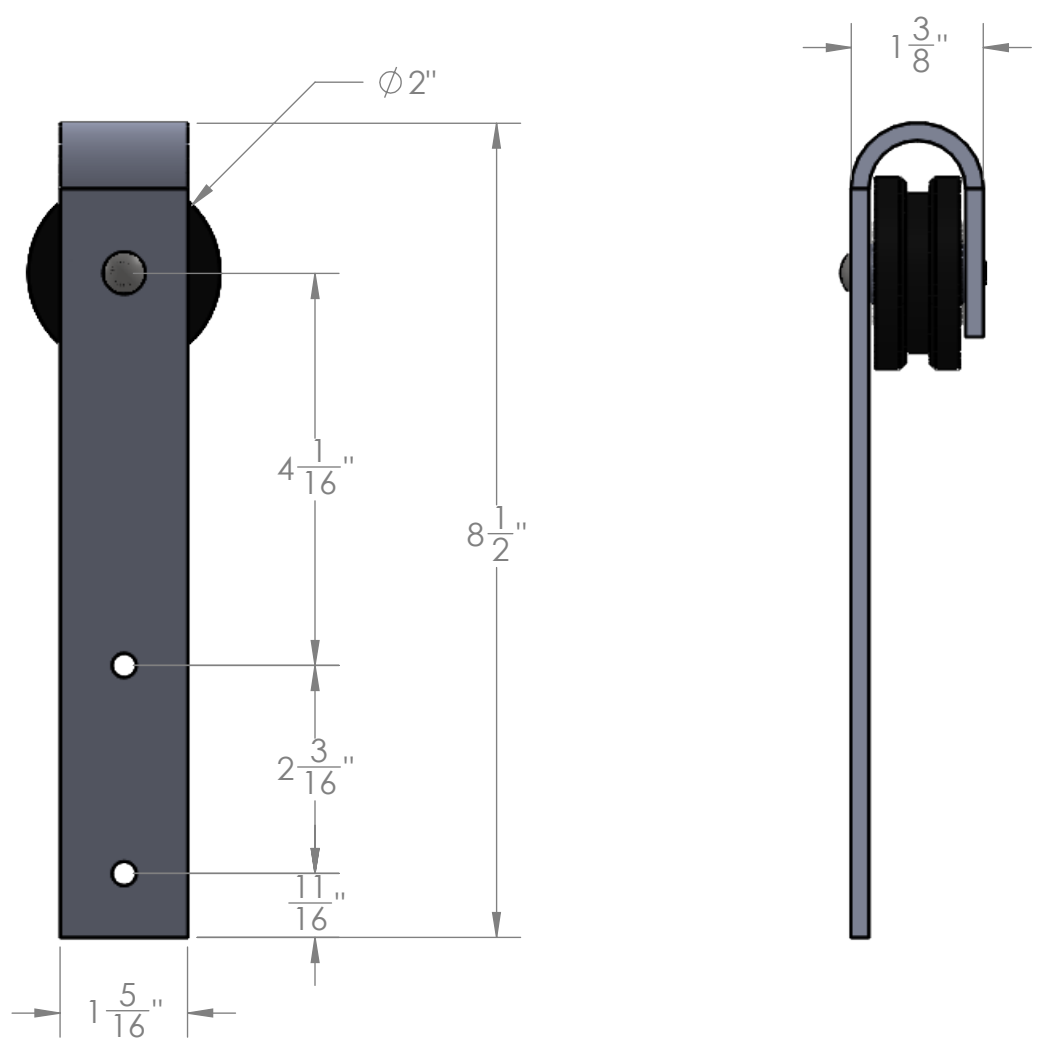
3

2

1

B


B



A

A

PROPRIETARY AND CONFIDENTIAL
 THE INFORMATION CONTAINED IN THIS DRAWING IS THE SOLE PROPERTY OF RUSTICA HARDWARE. ANY REPRODUCTION IN PART OR AS A WHOLE WITHOUT THE WRITTEN PERMISSION OF RUSTICA HARDWARE IS PROHIBITED.

		UNLESS OTHERWISE SPECIFIED:	NAME	DATE	 RUSTICA HARDWARE	
		DIMENSIONS ARE IN INCHES TOLERANCES: FRACTIONAL ± ANGULAR: MACH ± BEND ± TWO PLACE DECIMAL ± THREE PLACE DECIMAL ±	DRAWN	AZ		
		INTERPRET GEOMETRIC TOLERANCING PER:	CHECKED			TITLE:
		MATERIAL	ENG APPR.			MINI INDUSTRIAL
		FINISH	MFG APPR.			SIZE DWG. NO. REV
NEXT ASSY	USED ON		Q.A.			B MINI SYSTEM -
APPLICATION		DO NOT SCALE DRAWING	COMMENTS:			SCALE: 1:2 WEIGHT: SHEET 2 OF 9

4

3

2

1

4

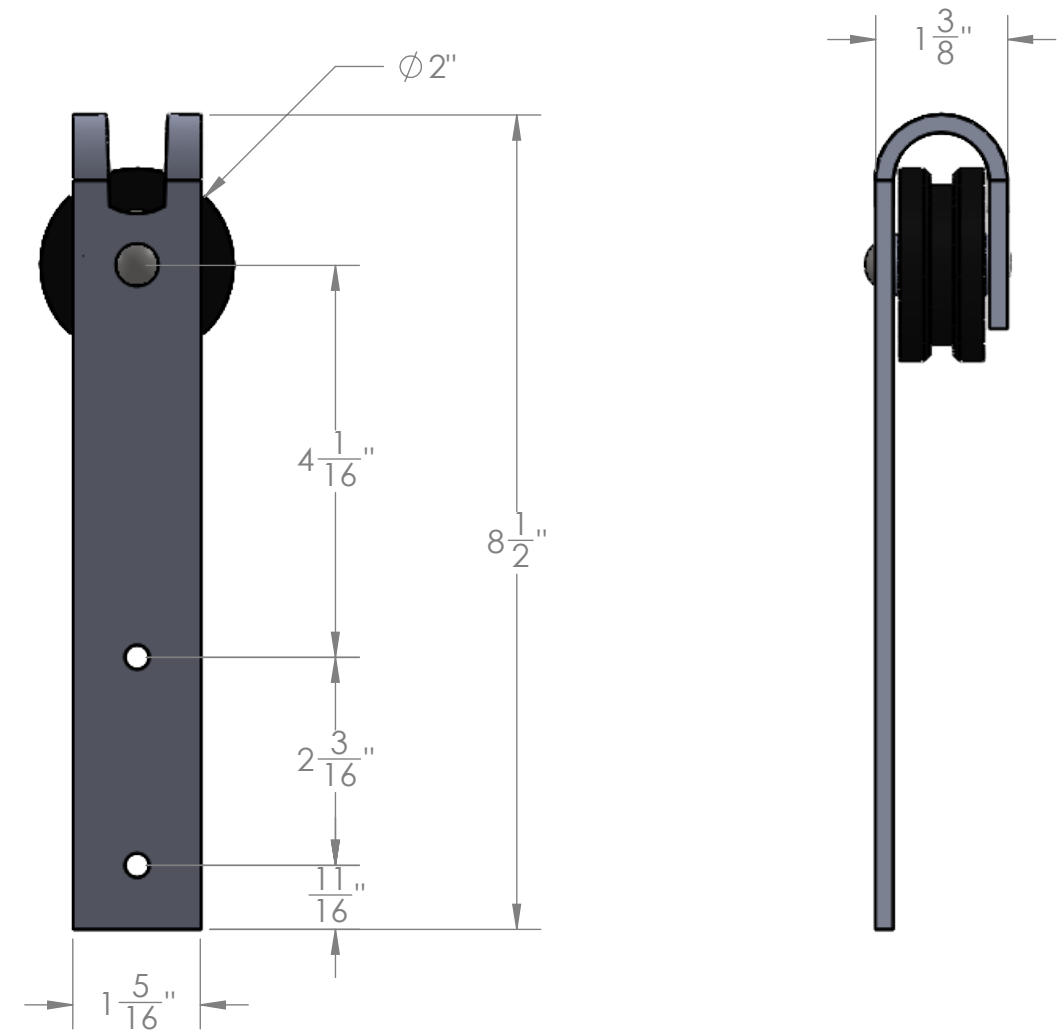
3

2

1

B


B



A

A

PROPRIETARY AND CONFIDENTIAL
 THE INFORMATION CONTAINED IN THIS DRAWING IS THE SOLE PROPERTY OF RUSTICA HARDWARE. ANY REPRODUCTION IN PART OR AS A WHOLE WITHOUT THE WRITTEN PERMISSION OF RUSTICA HARDWARE IS PROHIBITED.

		UNLESS OTHERWISE SPECIFIED:		NAME	DATE	 RUSTICA HARDWARE	
		DIMENSIONS ARE IN INCHES TOLERANCES: FRACTIONAL ± ANGULAR: MACH ± BEND ± TWO PLACE DECIMAL ± THREE PLACE DECIMAL ±		DRAWN	AZ		
				CHECKED			TITLE: MINI GARRICK
				ENG APPR.			
				MFG APPR.			
				Q.A.			SIZE DWG. NO. REV B MINI SYSTEM -
				COMMENTS:			
				MATERIAL			SCALE: 1:2 WEIGHT: SHEET 3 OF 9
				FINISH			
NEXT ASSY	USED ON			APPLICATION			DO NOT SCALE DRAWING

4

3

2

1

4

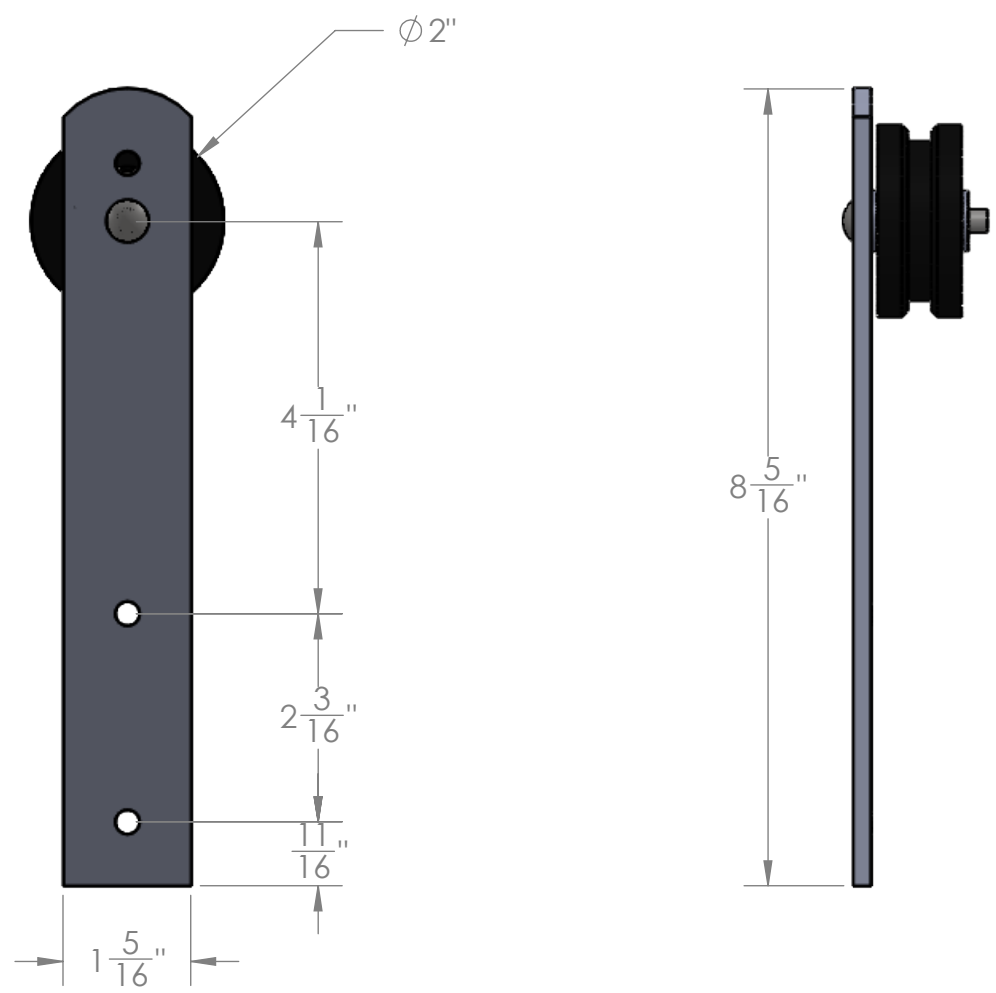
3

2

1

B


B



A

A

PROPRIETARY AND CONFIDENTIAL
 THE INFORMATION CONTAINED IN THIS DRAWING IS THE SOLE PROPERTY OF RUSTICA HARDWARE. ANY REPRODUCTION IN PART OR AS A WHOLE WITHOUT THE WRITTEN PERMISSION OF RUSTICA HARDWARE IS PROHIBITED.

		UNLESS OTHERWISE SPECIFIED:		NAME	DATE	 RUSTICA HARDWARE	
		DIMENSIONS ARE IN INCHES TOLERANCES: FRACTIONAL \pm ANGULAR: MACH \pm BEND \pm TWO PLACE DECIMAL \pm THREE PLACE DECIMAL \pm		DRAWN	AZ		
				CHECKED		TITLE: MINI ULTRA MODERN	
				ENG APPR.			
				MFG APPR.		SIZE DWG. NO. REV B MINI SYSTEM -	
				Q.A.			
				COMMENTS:			
				MATERIAL			
				FINISH			
NEXT ASSY	USED ON						
APPLICATION		DO NOT SCALE DRAWING					
				SCALE: 1:2		WEIGHT:	
						SHEET 4 OF 9	

4

3

2

1

4

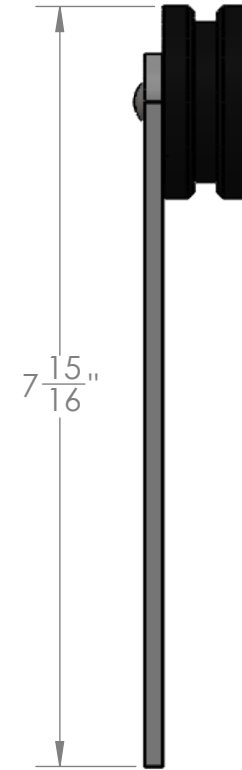
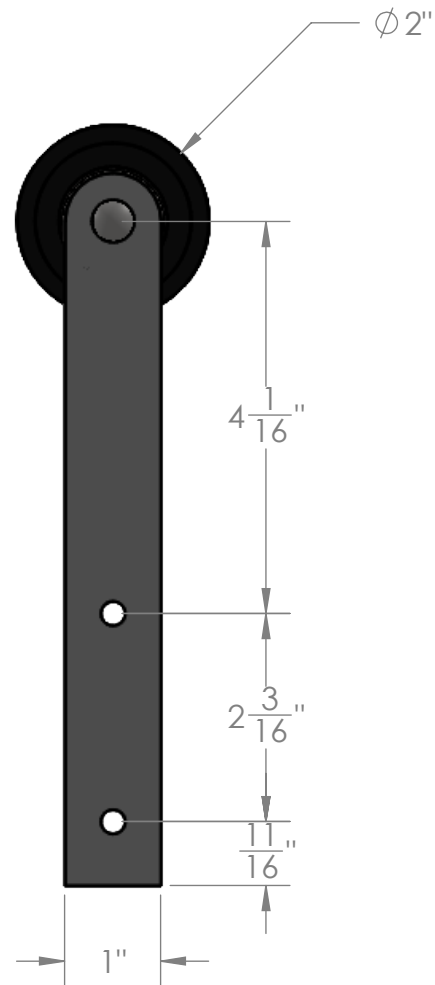
3

2

1

B


B



A

A

PROPRIETARY AND CONFIDENTIAL
 THE INFORMATION CONTAINED IN THIS DRAWING IS THE SOLE PROPERTY OF RUSTICA HARDWARE. ANY REPRODUCTION IN PART OR AS A WHOLE WITHOUT THE WRITTEN PERMISSION OF RUSTICA HARDWARE IS PROHIBITED.

		UNLESS OTHERWISE SPECIFIED:	NAME	DATE		
		DIMENSIONS ARE IN INCHES TOLERANCES: FRACTIONAL \pm ANGULAR: MACH \pm BEND \pm TWO PLACE DECIMAL \pm THREE PLACE DECIMAL \pm	DRAWN	AZ		
		INTERPRET GEOMETRIC TOLERANCING PER:	CHECKED			TITLE: MINI MODERN
		MATERIAL	ENG APPR.			
NEXT ASSY	USED ON	FINISH	MFG APPR.			SIZE DWG. NO. REV
APPLICATION		DO NOT SCALE DRAWING	COMMENTS:			B MINI SYSTEM -
						SCALE: 1:2 WEIGHT: SHEET 5 OF 9

4

3

2

1

4

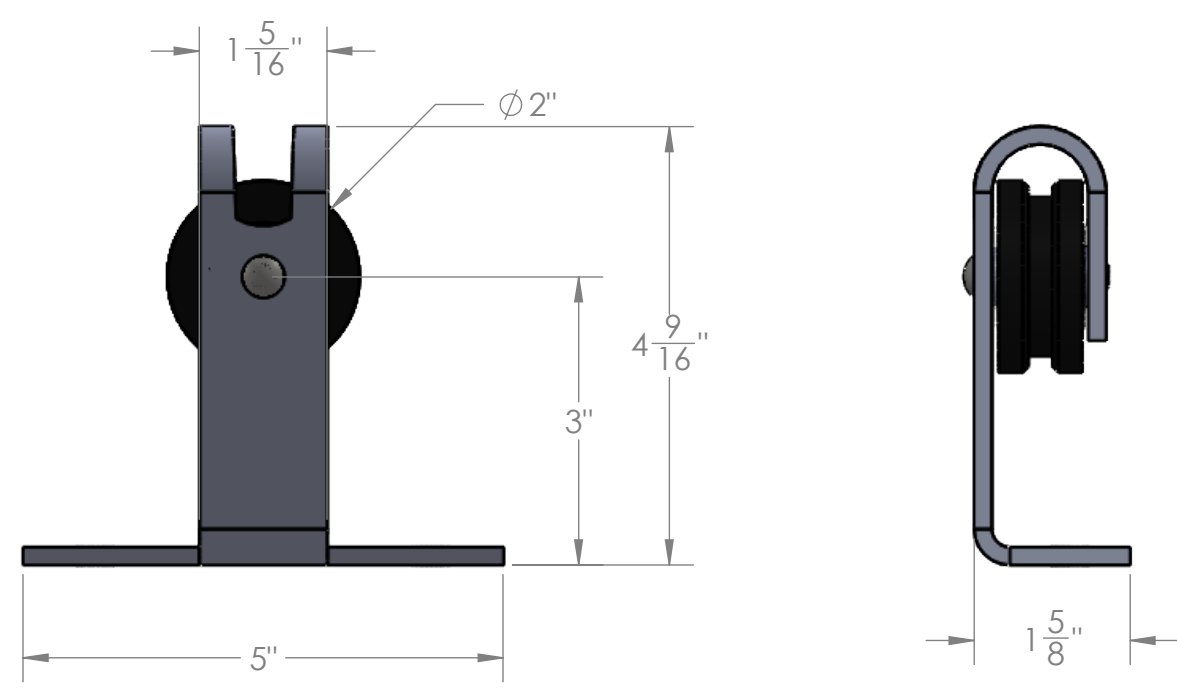
3

2

1

B


B



A

A

PROPRIETARY AND CONFIDENTIAL
 THE INFORMATION CONTAINED IN THIS DRAWING IS THE SOLE PROPERTY OF RUSTICA HARDWARE. ANY REPRODUCTION IN PART OR AS A WHOLE WITHOUT THE WRITTEN PERMISSION OF RUSTICA HARDWARE IS PROHIBITED.

		UNLESS OTHERWISE SPECIFIED:	NAME	DATE	 RUSTICA HARDWARE	
		DIMENSIONS ARE IN INCHES TOLERANCES: FRACTIONAL ± ANGULAR: MACH ± BEND ± TWO PLACE DECIMAL ± THREE PLACE DECIMAL ±	DRAWN	AZ		
		INTERPRET GEOMETRIC TOLERANCING PER:	CHECKED			TITLE:
		MATERIAL	ENG APPR.			MINI TOP MOUNT GARRICK
NEXT ASSY	USED ON	FINISH	MFG APPR.			SIZE DWG. NO. REV
APPLICATION		DO NOT SCALE DRAWING	Q.A.			B MINI SYSTEM -
			COMMENTS:			SCALE: 1:2 WEIGHT: SHEET 6 OF 9

4

3

2

1

4

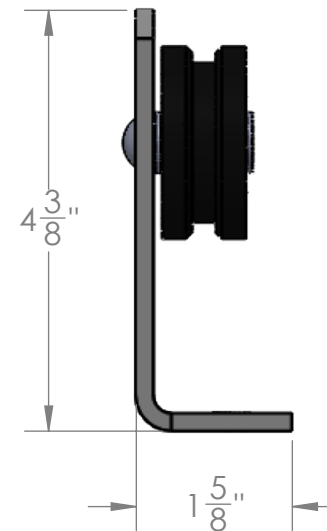
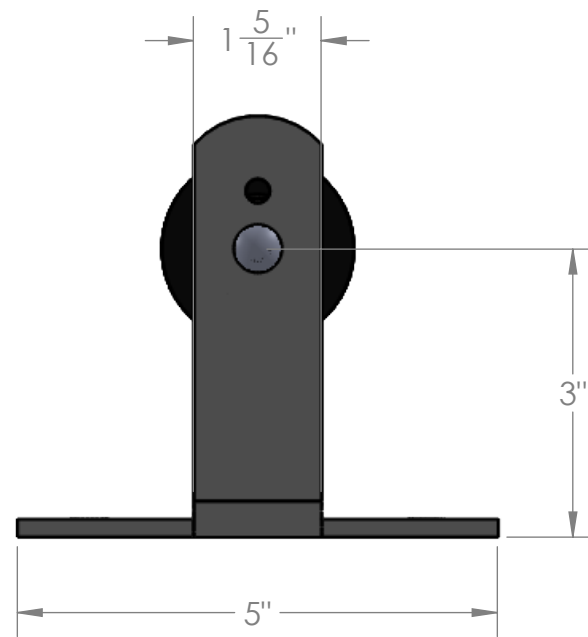
3

2

1

B


B



A

A

PROPRIETARY AND CONFIDENTIAL
 THE INFORMATION CONTAINED IN THIS DRAWING IS THE SOLE PROPERTY OF RUSTICA HARDWARE. ANY REPRODUCTION IN PART OR AS A WHOLE WITHOUT THE WRITTEN PERMISSION OF RUSTICA HARDWARE IS PROHIBITED.

		UNLESS OTHERWISE SPECIFIED:	NAME	DATE	 RUSTICA HARDWARE	
		DIMENSIONS ARE IN INCHES TOLERANCES: FRACTIONAL ± ANGULAR: MACH ± BEND ± TWO PLACE DECIMAL ± THREE PLACE DECIMAL ±	DRAWN	AZ		
		INTERPRET GEOMETRIC TOLERANCING PER:	CHECKED			TITLE:
		MATERIAL	ENG APPR.			MINI TOP MOUNT ULTRA MODERN
NEXT ASSY	USED ON	FINISH	MFG APPR.			SIZE DWG. NO. REV
APPLICATION		DO NOT SCALE DRAWING	Q.A.			B MINI SYSTEM -
			COMMENTS:			SCALE: 1:2 WEIGHT: SHEET 7 OF 9

4

3

2

1

4

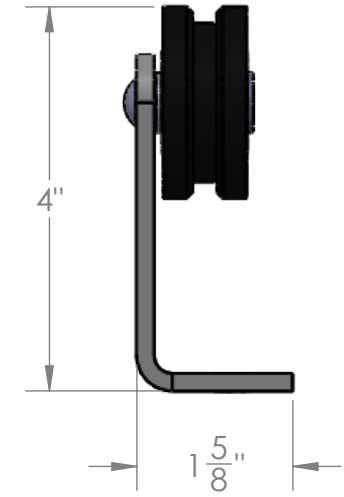
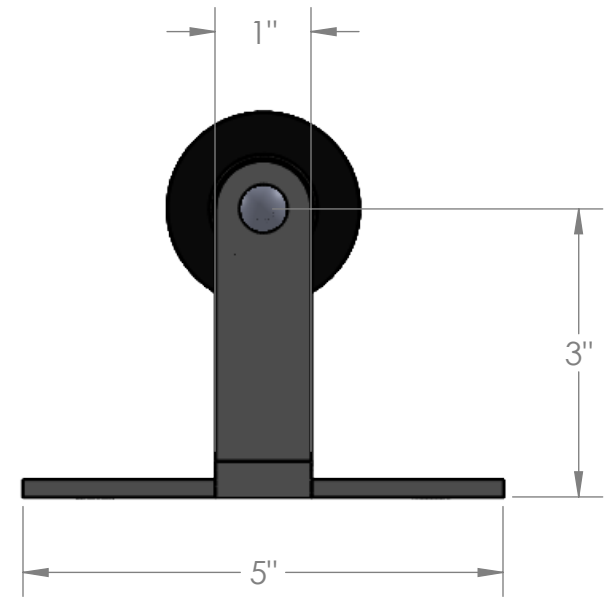
3

2

1

B


B



A

A

PROPRIETARY AND CONFIDENTIAL
 THE INFORMATION CONTAINED IN THIS DRAWING IS THE SOLE PROPERTY OF RUSTICA HARDWARE. ANY REPRODUCTION IN PART OR AS A WHOLE WITHOUT THE WRITTEN PERMISSION OF RUSTICA HARDWARE IS PROHIBITED.

		UNLESS OTHERWISE SPECIFIED:	NAME	DATE	 RUSTICA HARDWARE	
		DIMENSIONS ARE IN INCHES TOLERANCES: FRACTIONAL ± ANGULAR: MACH ± BEND ± TWO PLACE DECIMAL ± THREE PLACE DECIMAL ±	DRAWN	AZ		
		INTERPRET GEOMETRIC TOLERANCING PER:	CHECKED			TITLE:
		MATERIAL	ENG APPR.			MINI TOP MOUNT MODERN
		FINISH	MFG APPR.			SIZE DWG. NO. REV
NEXT ASSY	USED ON		Q.A.			B MINI SYSTEM -
APPLICATION		DO NOT SCALE DRAWING	COMMENTS:			SCALE: 1:2 WEIGHT: SHEET 8 OF 9

4

3

2

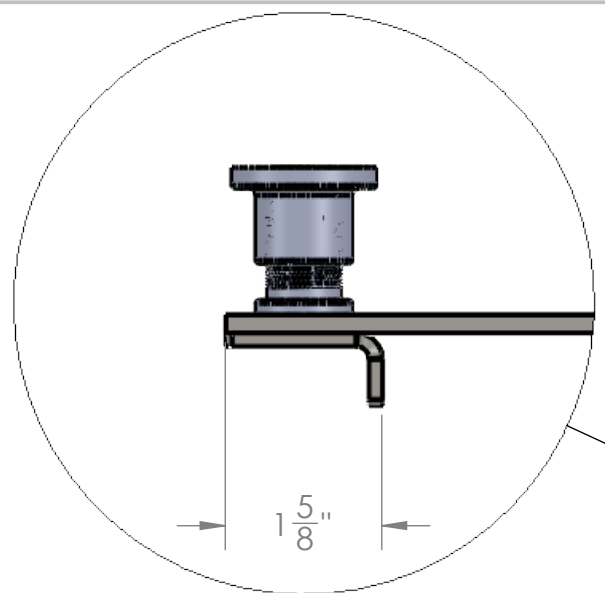
1

4

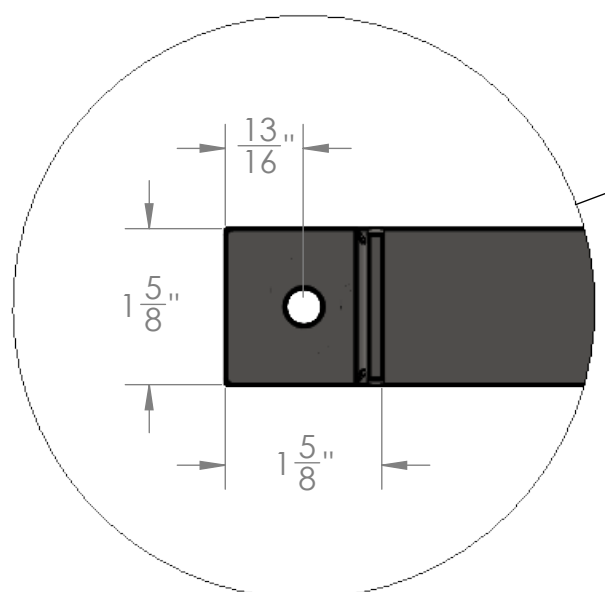
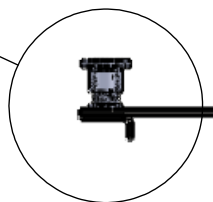
3

2

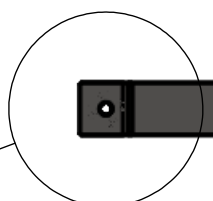
1



DETAIL B



DETAIL A




B

B

A

A

PROPRIETARY AND CONFIDENTIAL
 THE INFORMATION CONTAINED IN THIS DRAWING IS THE SOLE PROPERTY OF RUSTICA HARDWARE. ANY REPRODUCTION IN PART OR AS A WHOLE WITHOUT THE WRITTEN PERMISSION OF RUSTICA HARDWARE IS PROHIBITED.

		UNLESS OTHERWISE SPECIFIED:	NAME	DATE	 RUSTICA HARDWARE	
		DIMENSIONS ARE IN INCHES TOLERANCES: FRACTIONAL ± ANGULAR: MACH ± BEND ± TWO PLACE DECIMAL ± THREE PLACE DECIMAL ±	DRAWN	AZ		
		INTERPRET GEOMETRIC TOLERANCING PER:	CHECKED			TITLE:
		MATERIAL	ENG APPR.			MINI TRACK
		FINISH	MFG APPR.			SIZE DWG. NO. REV
NEXT ASSY	USED ON	APPLICATION	Q.A.			B MINI SYSTEM -
		DO NOT SCALE DRAWING	COMMENTS:			SCALE: 1:2 WEIGHT: SHEET 9 OF 9

4

3

2

1