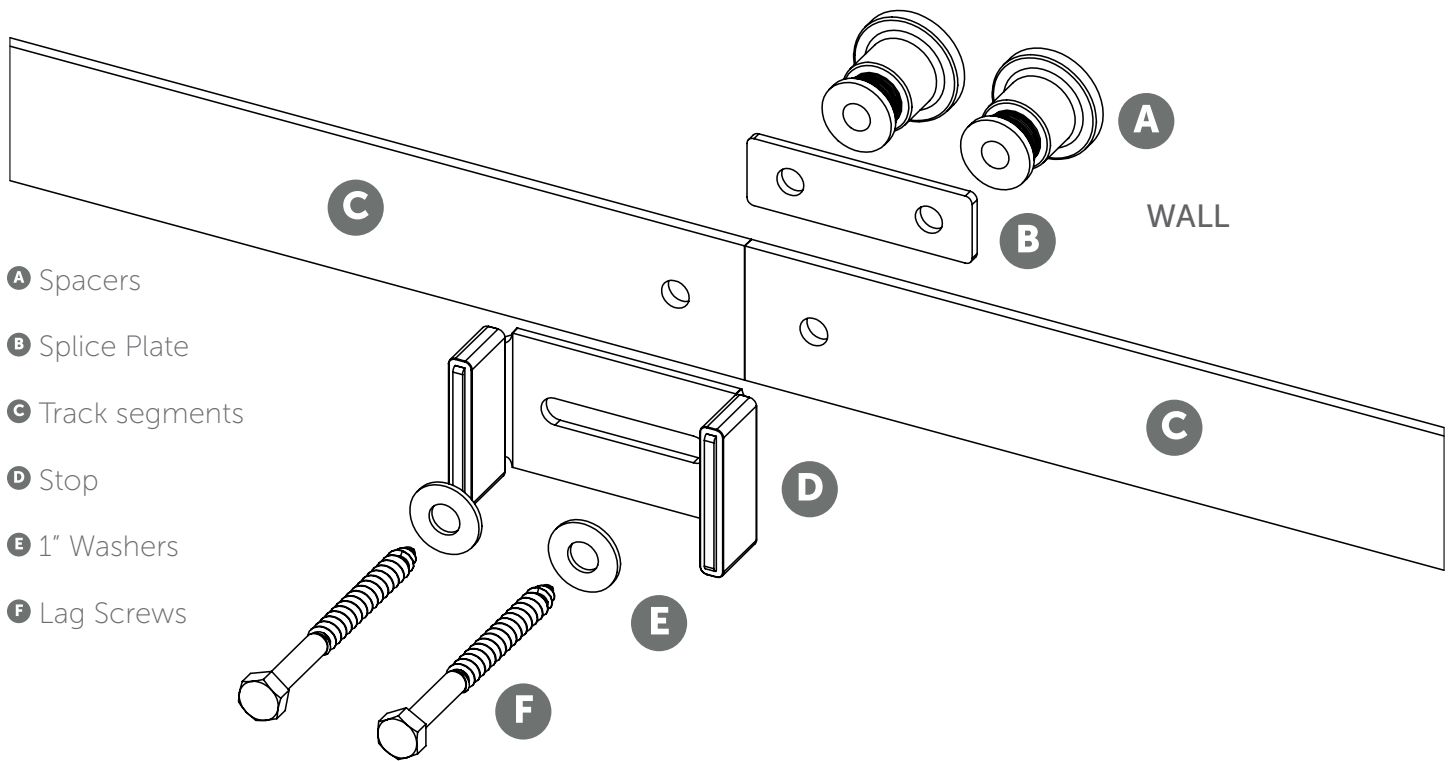


# FLAT TRACK SPLICE INSTALLATION INSTRUCTIONS

## PARTS

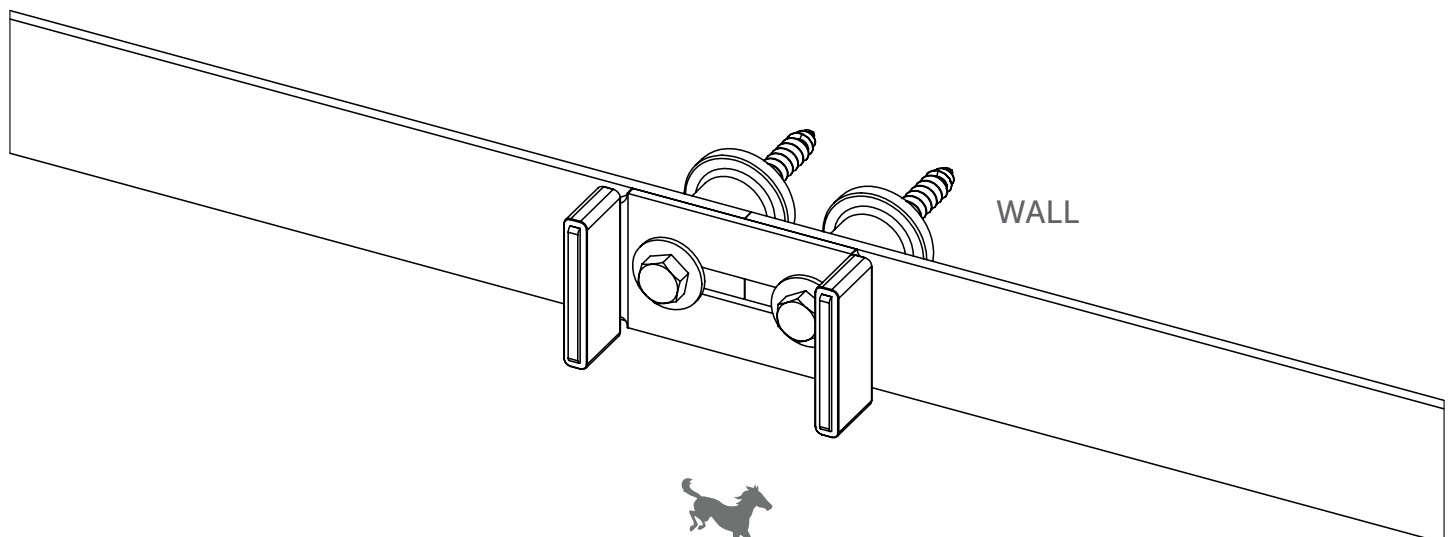


## ASSEMBLY INSTRUCTIONS

Follow specific instructions for the door system you purchased.

To splice your track segments (C) together, begin by butting your track segments together then putting all the pieces together with supplied lag screws (F), washers (E), stop (D), track segments (C), splice plate (B), and spacers (A). Make sure the splice plate (B) is behind the track segments (C). After all of the pieces are assembled, tighten the lag screws into your wall.

Continue following the instructions for your specific door system to finish installation.



**RUSTICA**