

# Light Duty Bypass Track System

## Hardware Installation Instructions



Rustica

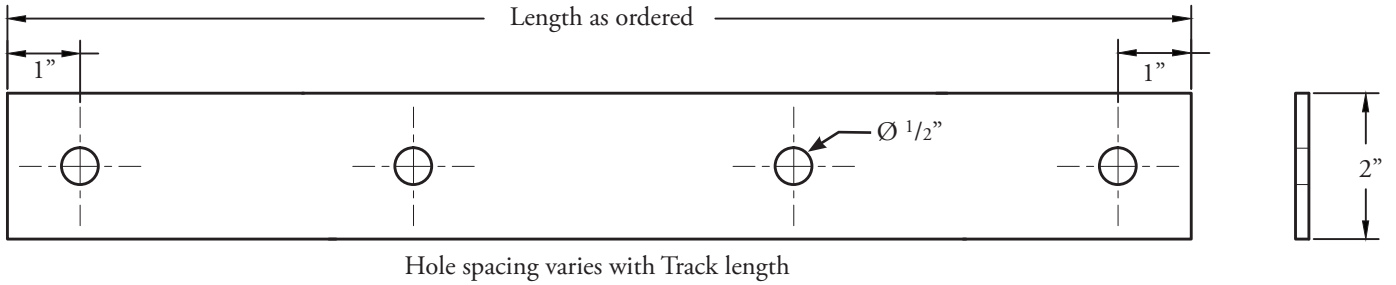
Hardware  
Installation  
Instructions

1-800-891-8312  
[www.Rustica.com](http://www.Rustica.com)

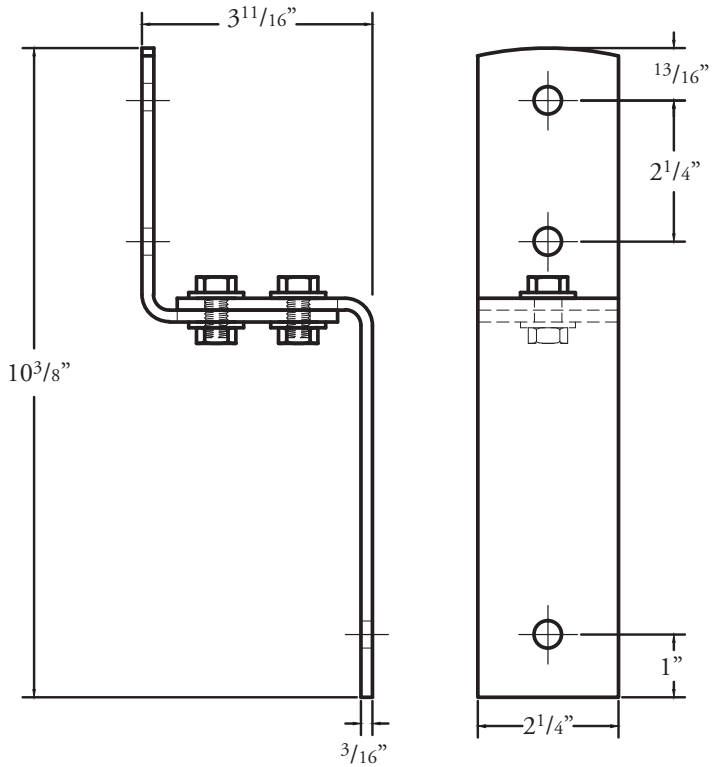
Page 1

# Specifications

## Track

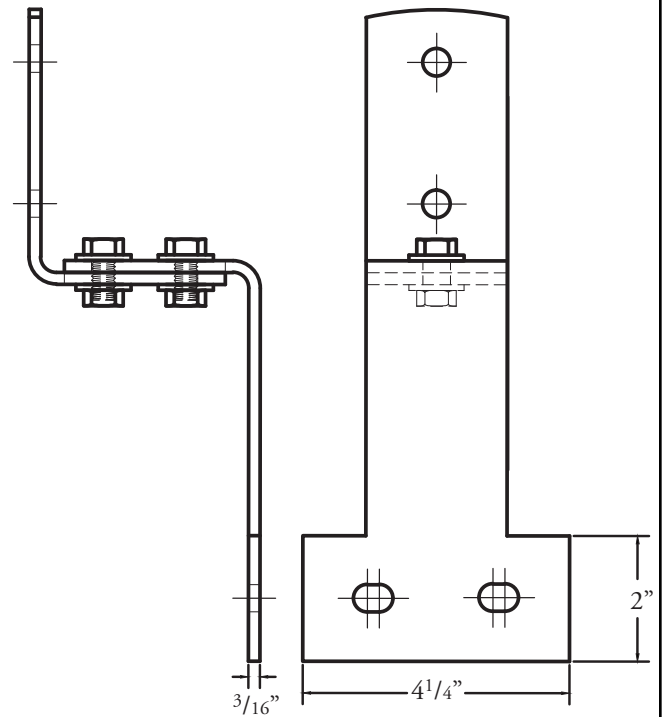


## Bypass Bracket

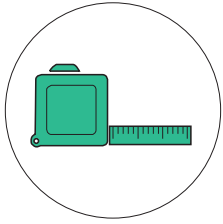


## Track Splice Bracket

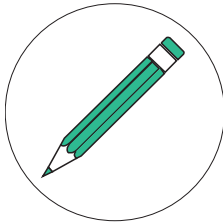
To be used when joining two track lengths together.



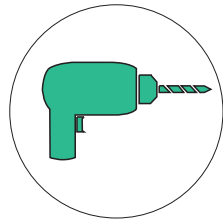
## Tools Needed



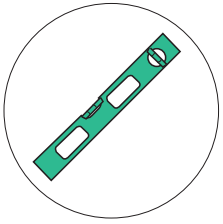
*Tape Measure*



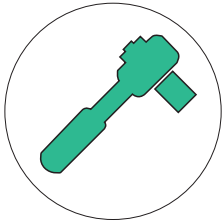
*Pencil*



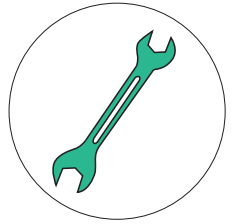
*Drill with 1/8", 1/4" and 3/8" bits, and Phillips drill bit*



*Short Level*

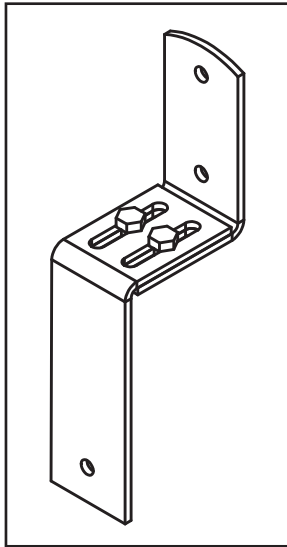


*Ratchet with 9/16" and 5/8" sockets*

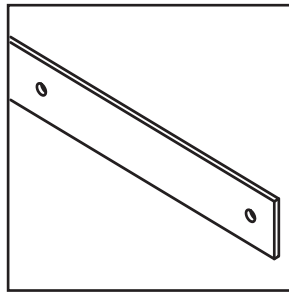


*9/16" and 5/8" open end and ratcheting wrench*

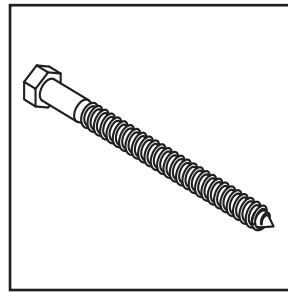
## Parts Included



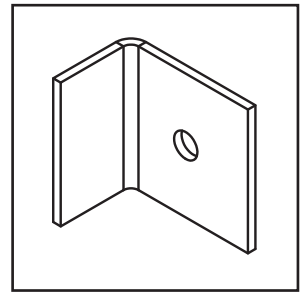
*Bypass Bracket*



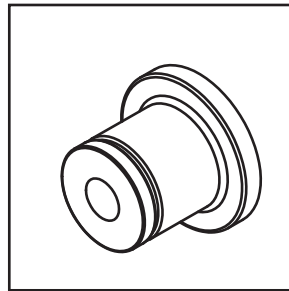
*Track*



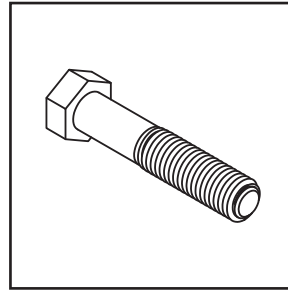
*Lag Screws*



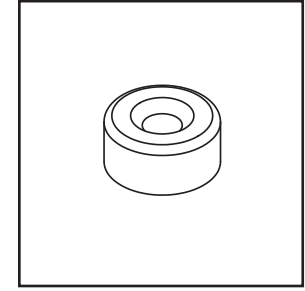
*Track Stops*



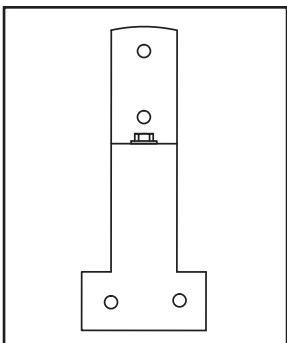
*Adjustable Spacers*



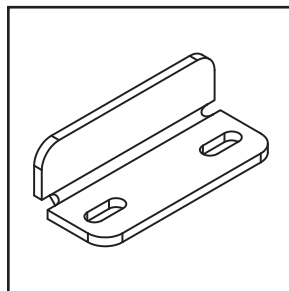
*Hex Bolts*



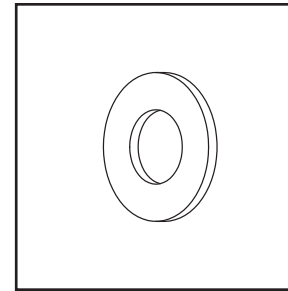
*Anti-jump Blocks*



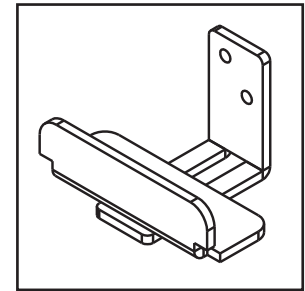
*Track Splice Bracket  
(included when two or more tracks are needed)*



*Door Guide*



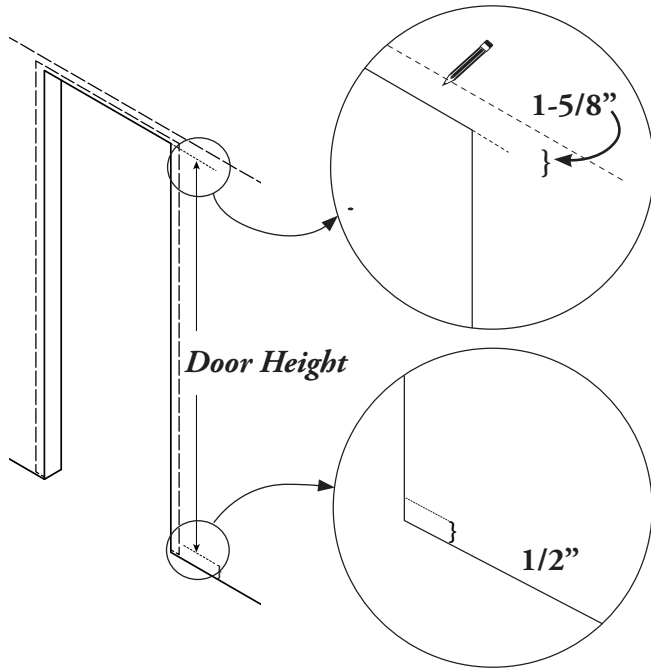
*1" Washers*



*Wall Mount Door Guide  
(optional)*

# Hanging Track

## 1. Measuring and Marking for Track Position



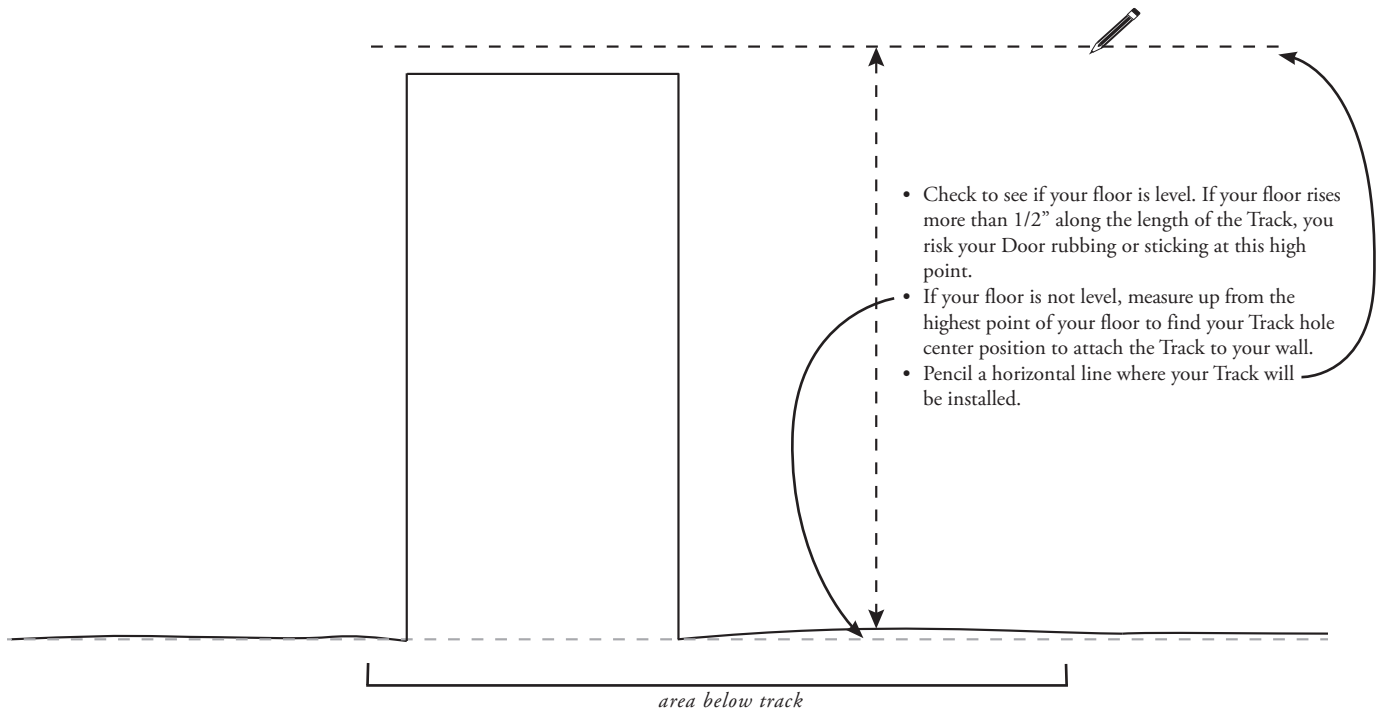
$$\begin{array}{l} 1-5/8'' \\ + \text{Door Height} \\ + 1/2'' \\ = \end{array}$$

# of inches up from floor where you will pencil a horizontal line for your track

- To determine where to install your Track, **add together 1-5/8" (space above door) plus 1/2" (floor gap) to the height of your Door**. This measurement is how high up on your wall (from your finished floor up) you should install the Track.
- This is where you will mark a horizontal line on your wall parallel to the finished floor, the same length of your Track.
- Check to see if your floor is level. If your floor rises more than 1/2" along the length of the Track, see Step 2 below.



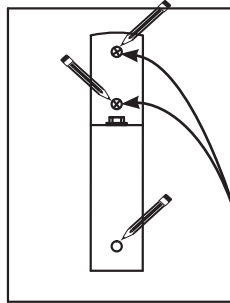
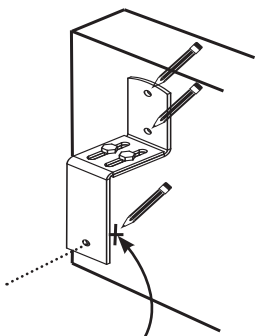
## 2. If Your Finished Floor is Not Level



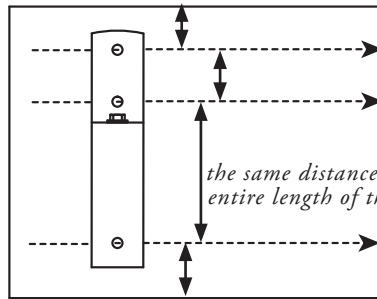
- Check to see if your floor is level. If your floor rises more than 1/2" along the length of the Track, you risk your Door rubbing or sticking at this high point.
- If your floor is not level, measure up from the highest point of your floor to find your Track hole center position to attach the Track to your wall.
- Pencil a horizontal line where your Track will be installed.

# Header Installation

## 1. Measuring and Marking the Header

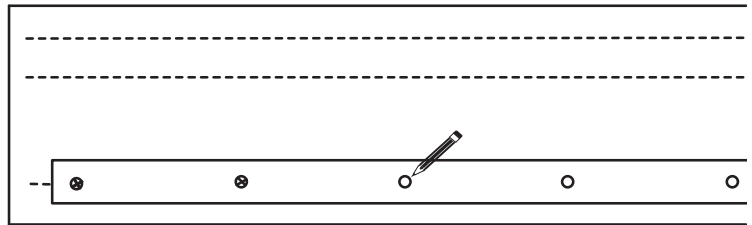


- Place a Bracket onto your Header at the desired location.
- Mark an intersecting line onto the Header that lines up with the hole on the front of the Bracket. This marks where you will attach your Rear Track to your wall and your Front Track to the Bracket.
- Also make a mark in the center of the two holes on the Bracket back. This is where you will attach the Bracket to the Header.

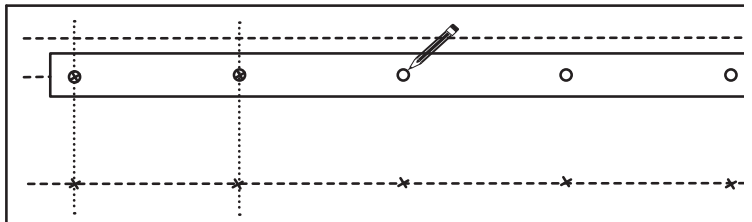


- Draw a horizontal line along each of these three marks to extend the length of the Header, making sure the lines are the same distance from each other as well as from the edge of the Header.

*the same distance apart the entire length of the Header*

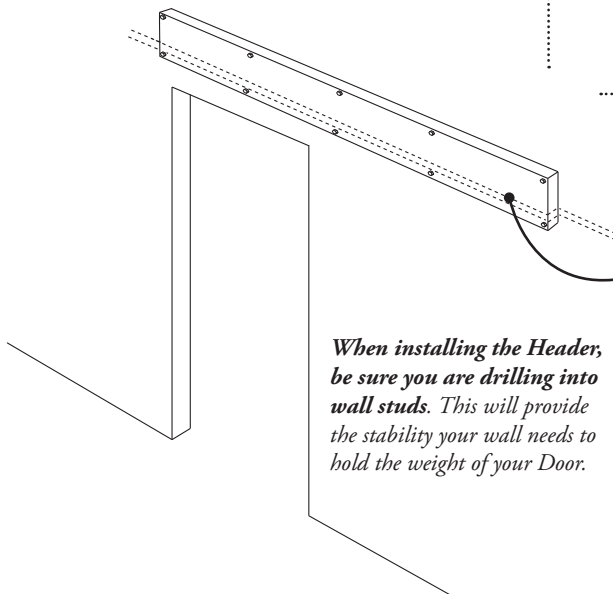


- Lay the Track along the bottom line and mark the center of each of the holes. This will be where you will install the rear Track through each of the Track holes.

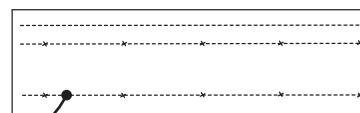


- Lay the Track along one of the top two lines and mark the center of each of the holes in the Track, making sure the new mark you are making is directly above the hole below it (vertically plumb). This will be where you will install the Brackets to attach the Front Track. Set the Track down.

## 2. Installing the Header



*When installing the Header, be sure you are drilling into wall studs. This will provide the stability your wall needs to hold the weight of your Door.*



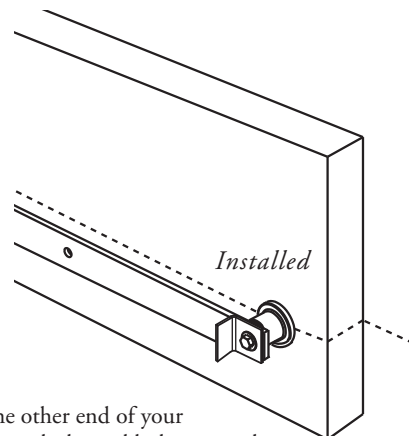
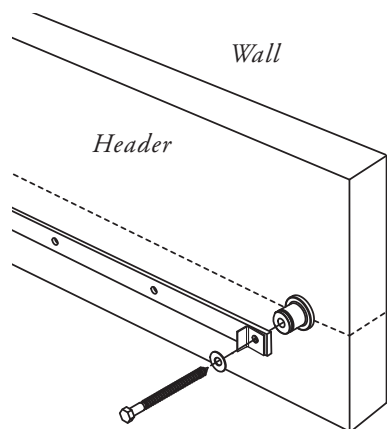
- Align the bottom horizontal line on your Header to the horizontal line on your wall (the line that marks where your Track will be installed).
- Attach the Header to your wall, **making sure you are drilling into wall studs.**



# Installation for Back Track

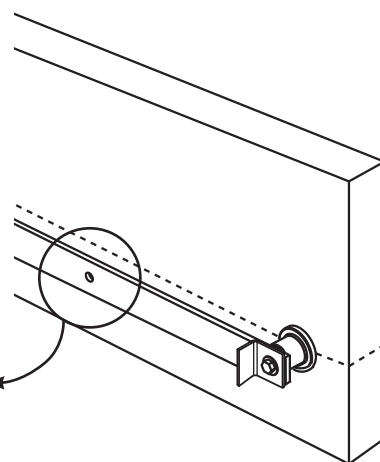
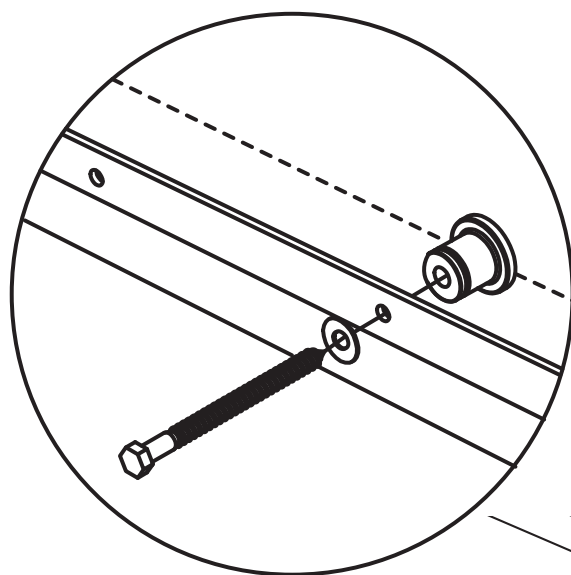
## 1. Installing Outside Track Holes

- The outside holes will be installed with a Door Stop. Install the first outside hole in this order: Spacer, Track, Door Stop, Washer, and Lag Screw.
- Using a ratchet with a 9/16" socket, tighten the Lag Screw most of the way, enough to hold the Track in place, but allowing the Track to move.

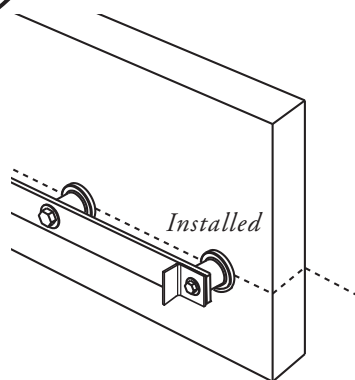


- Swing the other end of your Track up with the end hole centered over your penciled line. Install the other end hole as in Step 1.

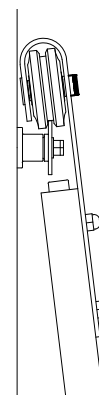
## 2. Installing Inside Track Holes



- The hardware for the inside holes will be installed in this order: Spacer, Track, Washer and Lag Screw.
- Using a ratchet with a 9/16" socket, tighten the Lag Screw most of the way.
- Install remaining inside holes in the same order.
- When all holes are installed, go back with a ratchet with a 9/16" socket and fully tighten, being careful not to over-tighten to avoid stripping the wall studs.



## 3. Hanging Your Back Door

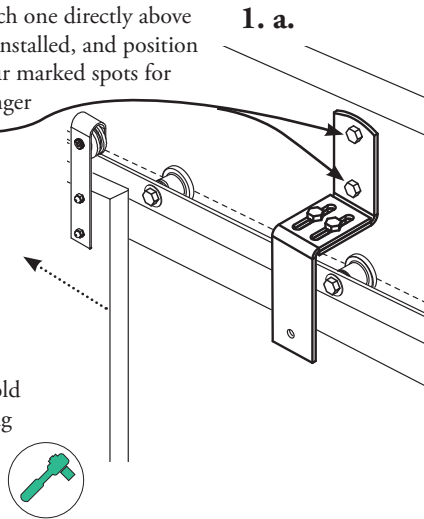


- Hang your back door onto the back Track before installing the Bypass Brackets for attaching the Front Track.

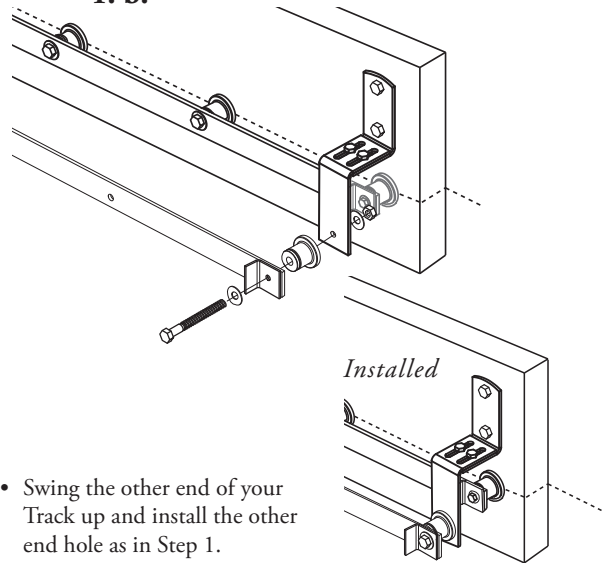
# Installation for Front Track

## 1. Installing Outside Track Holes

- Roll your Door to the side, out of the way.
- Install the Bypass Brackets, each one directly above the Track assemblies you just installed, and positioning the top two holes over your marked spots for drilling and attaching the Hanger to the Header, see 1. a.
- The outside holes will be installed with a Door Stop. Install the first outside hole in this order: Spacer, Track, Door Stop, Washer, and Lag Bolt.
- Using a ratchet with a 9/16" socket, tighten the Lag Bolt most of the way, enough to hold the Track in place, but allowing the Track to move.



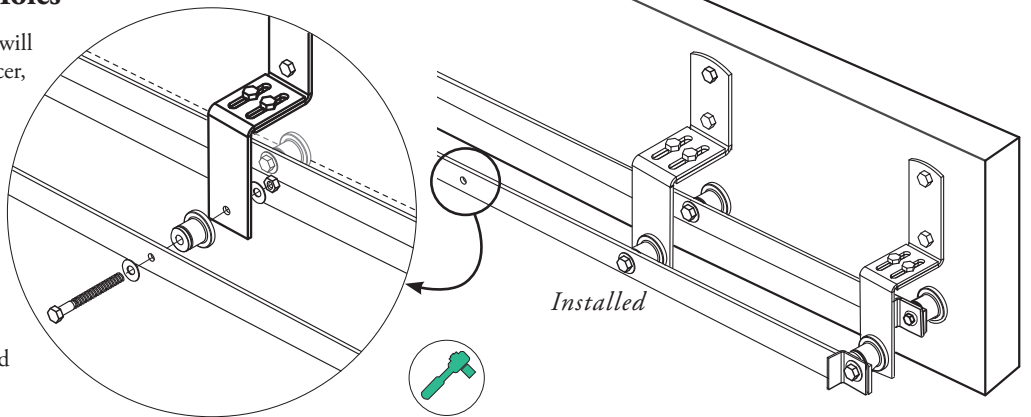
## 1. b.



- Swing the other end of your Track up and install the other end hole as in Step 1.

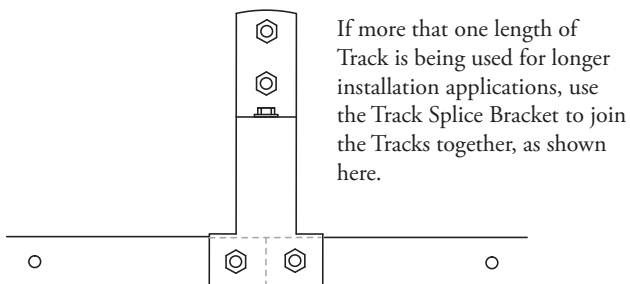
## 2. Installing Inside Track Holes

- The hardware for the inside holes will be installed in this order: Spacer, Track, Washer and Lag Bolt.
- Using a ratchet with a 9/16" socket, tighten the Lag Bolt most of the way.
- Install remaining inside holes in the same order.
- When all holes are installed, go back with a ratchet with a 9/16" socket and fully tighten, being careful not to over-tighten to avoid stripping the wall studs.

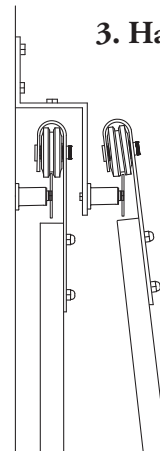


## 3. Hanging Your Front Door

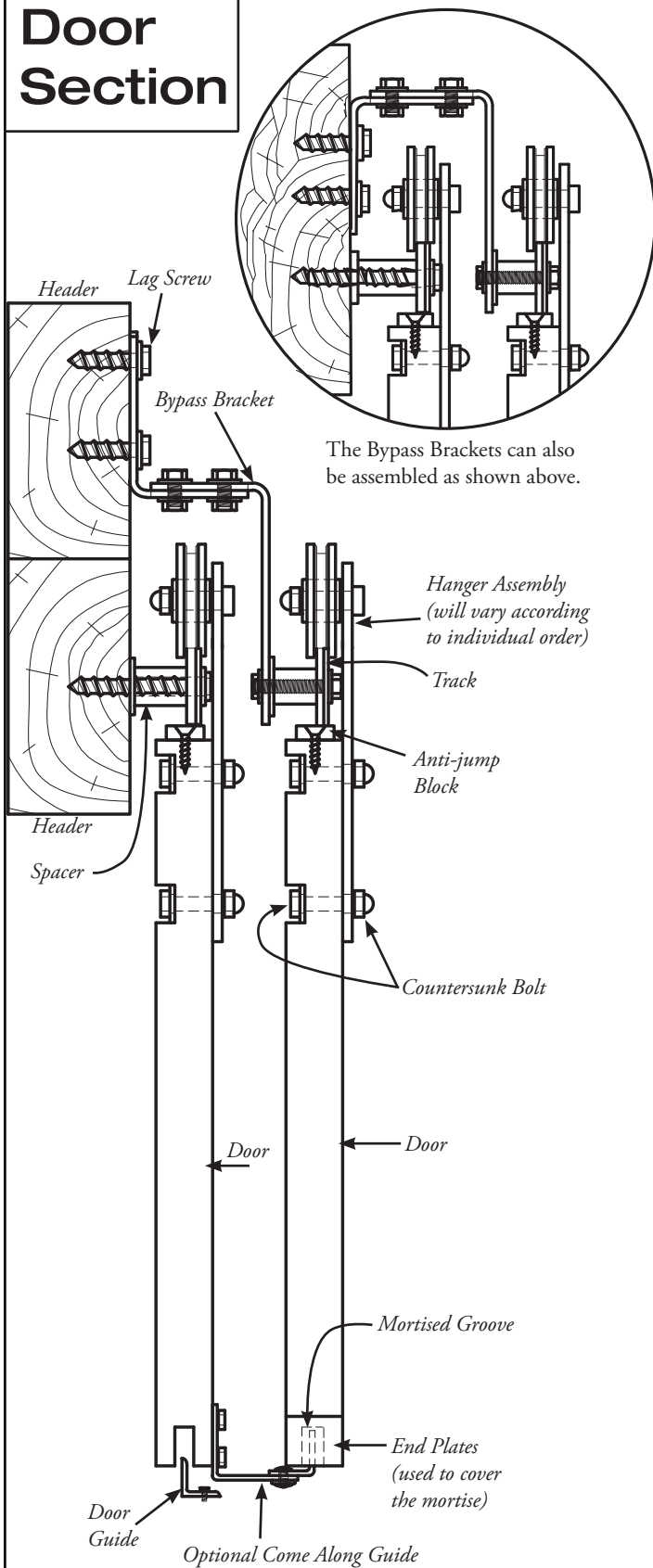
- Hang your front Door onto the front Track before installing the Door Guide.



If more than one length of Track is being used for longer installation applications, use the Track Splice Bracket to join the Tracks together, as shown here.



# Door Section



The Bypass Brackets can also be assembled as shown above.

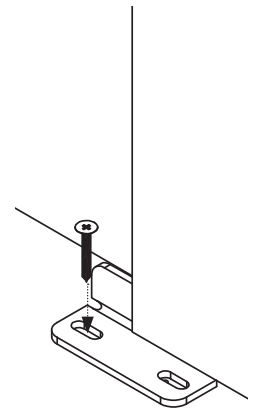
# Door Guide Installation

## 1. Installing Your Door Guide

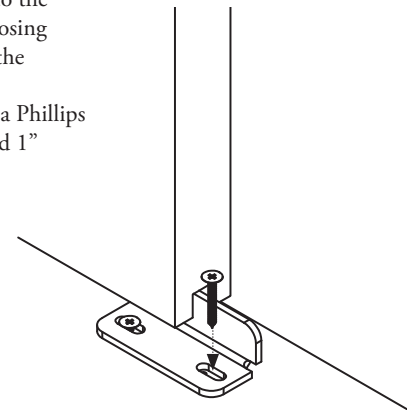
With a Bypass Track System, either a Wall-Mount or a Floor-Mount Door Guide can be installed on the back Door (the one that is closest to the wall). An additional Wall-Mount Door Guide can be installed onto the front of the back door, connecting to the front Door and acting as a Come Along Guide, see page 9.

- Use your level to plumb\* your Door.
- With the Door in the closed position, place the Door Guide half way into the Door mortise (the groove that runs along the bottom of a wood Door).
- Double check that your Door is plumb.\*
- Hold the Door Guide firmly in position. Using a drill with a Phillips bit, install a 1" Grabber Screw to secure your Door Guide to the floor.

\*Plumb - perfectly vertical.



- Slide the Door into the open position exposing the other edge of the Door Guide.
- Using a drill with a Phillips bit, install a second 1" Grabber Screw.





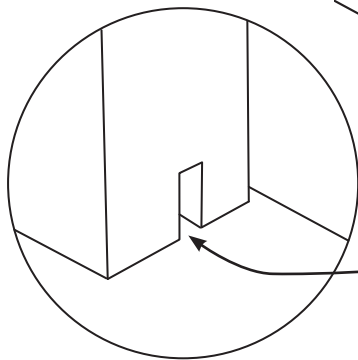
# Come Along Door Guide Installation

## Installing Come Along Door Guide (optional)

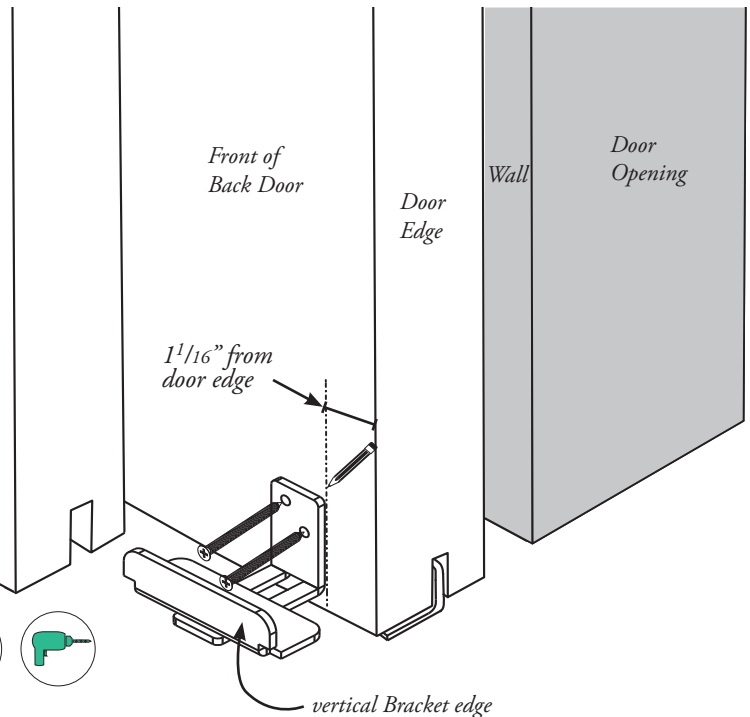
Installing a Wall-Mount Door Guide as a Come Along will allow you to open and close both Doors with one easy pull.

### 1.

- Slide both doors to the open position. Slide the back door (closest to the wall) out several inches to gain access to the Door. This is where you will install the Guide.
- On the back Door, Pencil a line  $1\text{-}1/16\text{'}$  parallel to the edge of the door that is closest to your Door opening.
- With the edge of the Bracket **back** lined up with the line you just penciled, shift the Bracket up slightly so the vertical Bracket edge is inside the mortised groove, yet the top of the Bracket edge doesn't make contact with the top of the groove.
- With a Phillips drill bit, drill a Grabber Screw into each hole in the Bracket back plate.

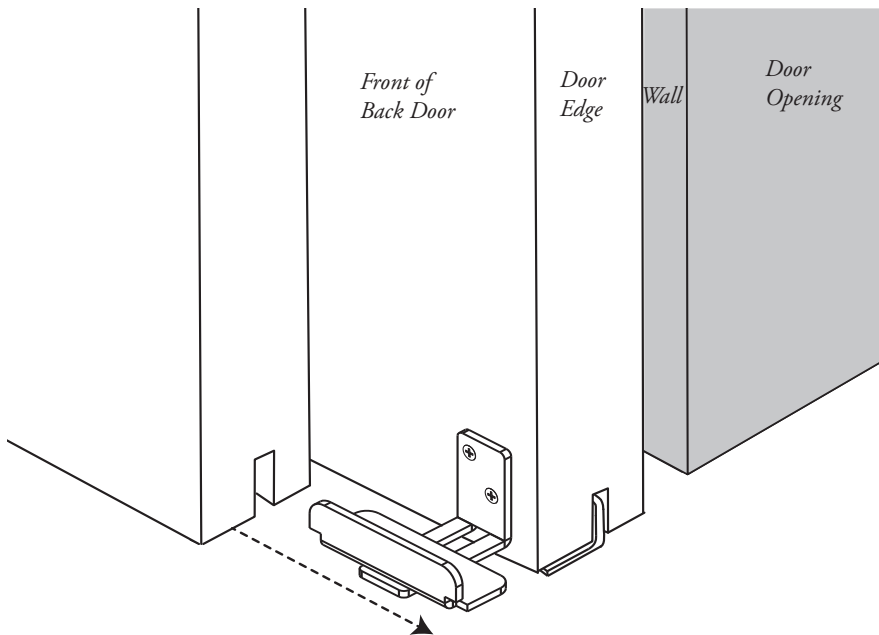
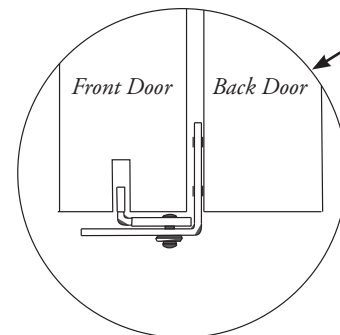


A mortise is the channel that runs along the bottom of a wood Door.



### 2.

- Slide front Door so the mortise along the bottom of the Door slides over the vertical Bracket edge.

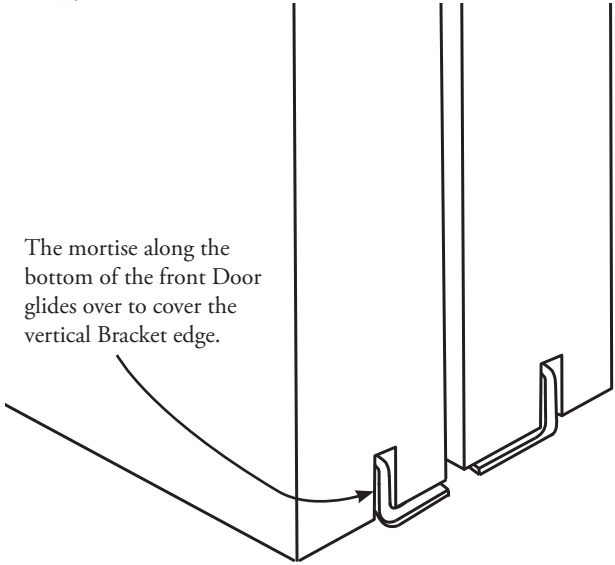


# Come Along Door Guide Installation

## Installing End Plates

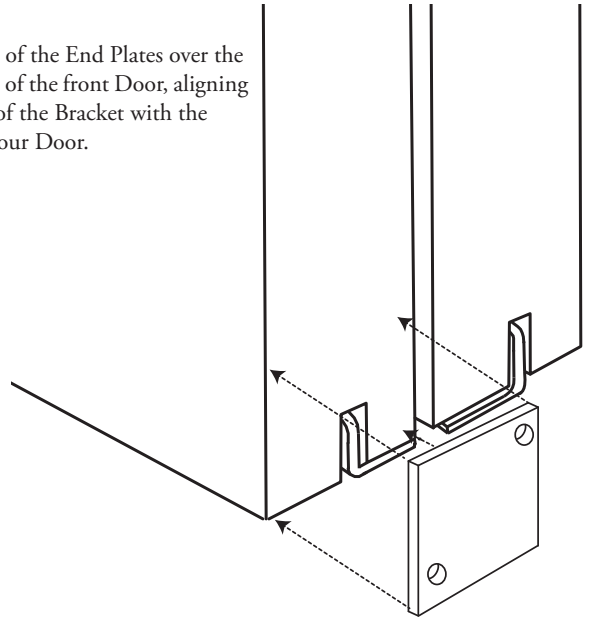
1.

The mortise along the bottom of the front Door glides over to cover the vertical Bracket edge.



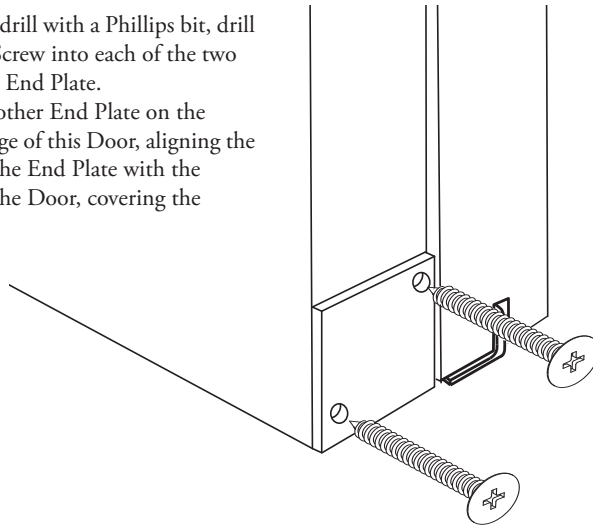
2.

- Position one of the End Plates over the bottom edge of the front Door, aligning the bottom of the Bracket with the Bottom of your Door.



3.

- Using your drill with a Phillips bit, drill a Grabber Screw into each of the two holes in the End Plate.
- Attach the other End Plate on the opposite edge of this Door, aligning the bottom of the End Plate with the bottom of the Door, covering the mortise.



Thank you for your purchase from Rustica Hardware. We hope that your purchasing and installation experience was exceptional. If you need installation assistance or have any feedback, we would love to hear from you.

[www.rusticahardware.com](http://www.rusticahardware.com)  
1-800-891-8312

Rustica

Hardware  
Installation  
Instructions

1-800-891-8312  
[www.Rustica.com](http://www.Rustica.com)

Page 10