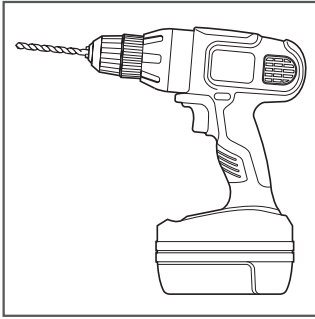


# **GARRICK HANGER**

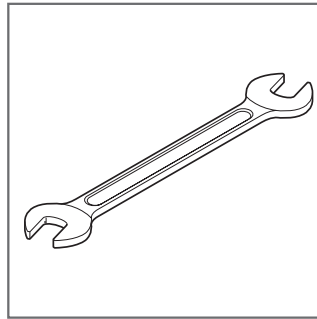
## **ASSEMBLY INSTRUCTIONS**



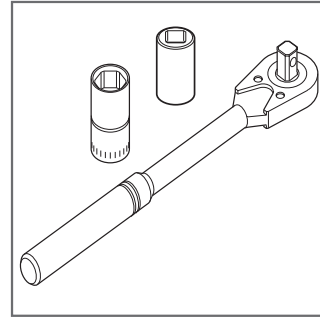
## GARRICK HANGER Recommended Tools



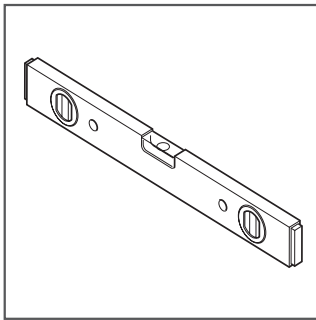
Drill with 1/8" and 1/4" Drill Bits, 1-1/8" Forstner Bit or 1-1/8" Spade Bit, and Phillips Bit



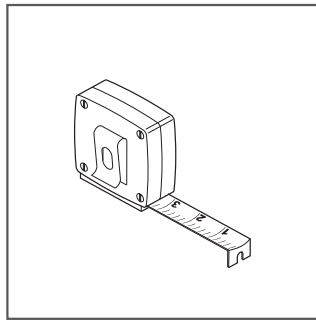
9/16" and 5/8" Combination Wrench



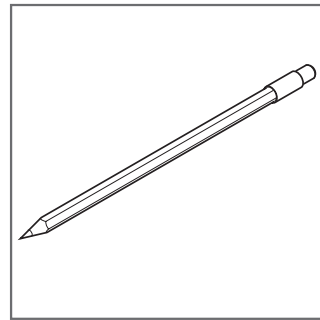
Socket Wrench with 9/16" and 5/8" Sockets



Level

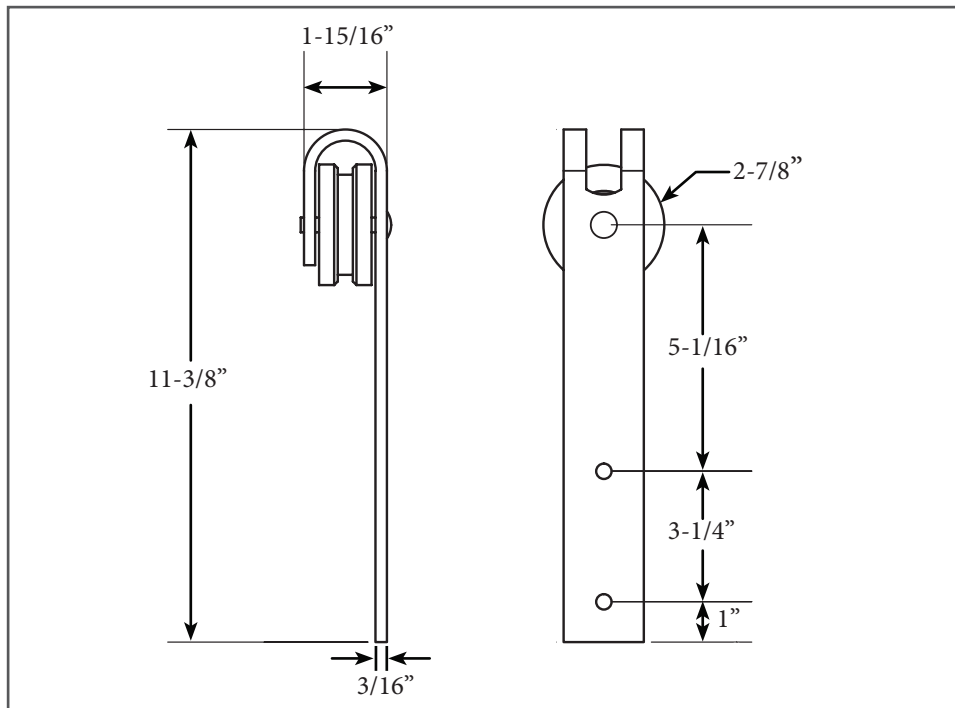


Tape Measure

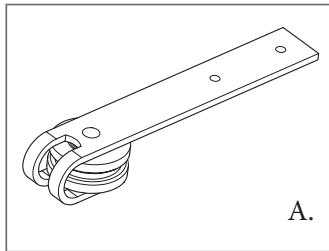


Pencil

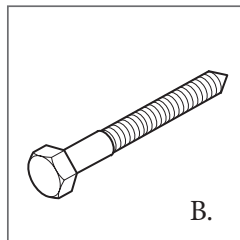
## GARRICK HANGER Specifications



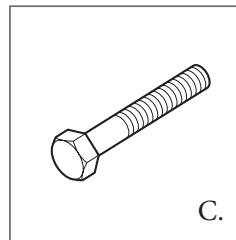
**NOTE:**  
**THE FOLLOWING INSTRUCTIONS ARE FOR FLAT TRACK SYSTEMS ONLY. DO NOT ATTEMPT TO USE ON TUBE, BOX, BYPASS, J TRACKS, OR CEILING MOUNT TRACK SYSTEMS.**



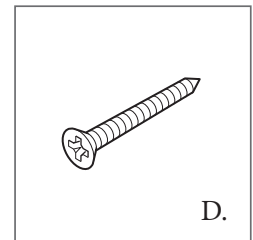
A.



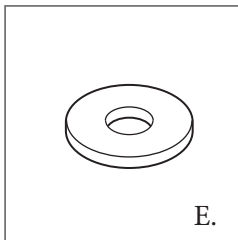
B.



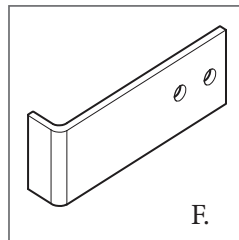
C.



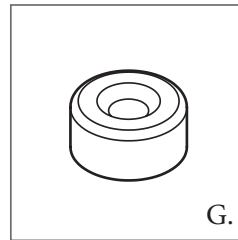
D.



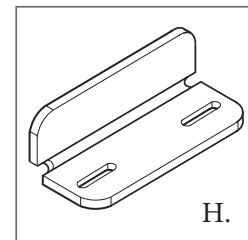
E.



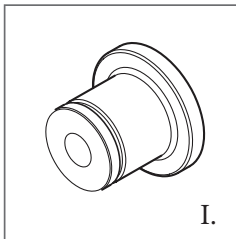
F.



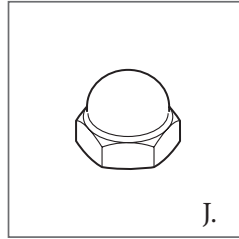
G.



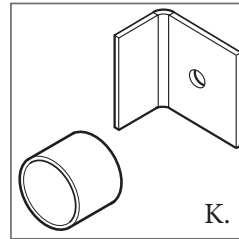
H.



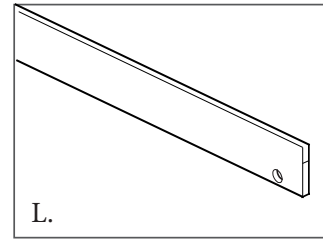
I.



J.



K.



L.

**PARTS**

- A. Hanger Assembly
- B. Lag Screw
- C. Fastener Screw
- D. Phillips Screw
- E. 1" Washer
- F. Anti-jump Bracket
- G. Anti-jump Block\*
- H. Door Guide
- I. Adjustable Spacers
- J. Acorn Nut
- K. Hard Stop & Rubber Bumper
- L. Track

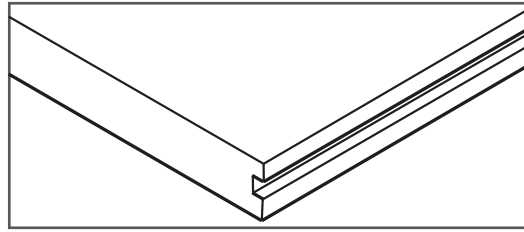
\*For use on bi-parting door systems.

**USE TEAMWORK - WE RECOMMEND  
TWO PEOPLE FOR THIS BUILD.**

# GARRICK HANGER Assembly Instructions

## NOTE:

Doors using Floor Mount Door Guides will have a groove on the bottom. Ensure this groove is on the opposite end of the Door Hanger Installation.



## HANGER INSTALLATION

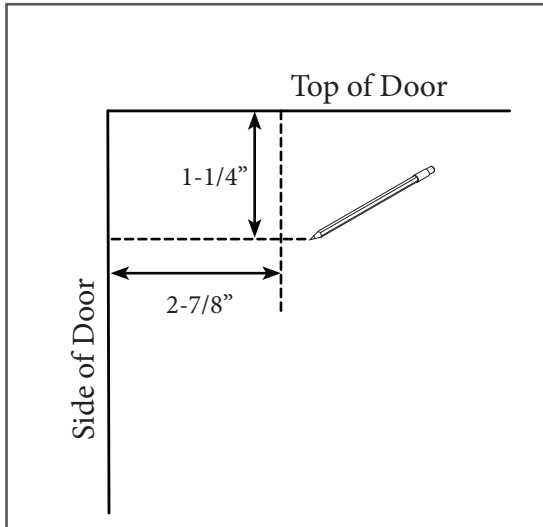


Figure 1

1. Lay the door face up on a smooth, level surface. Measure and mark  $2\text{-}7/8\text{'}$  from the side edge of the door. Measure and mark  $1\text{-}1/4\text{'}$  from the top edge of the door ensuring lines from both measurements intersect (Figure 1).

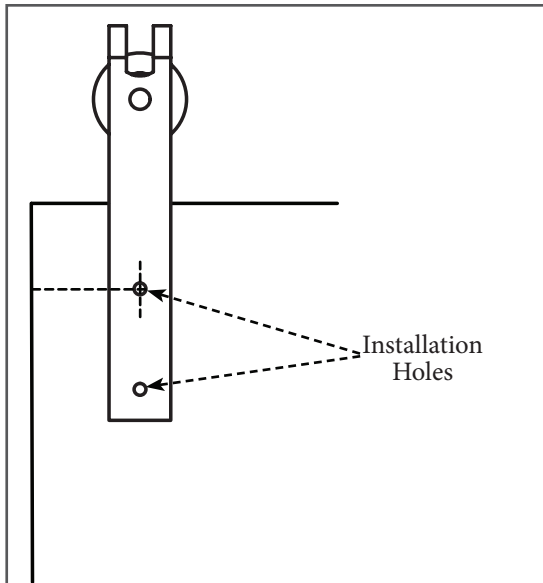


Figure 2

2. Place the hanger on the front of the door facing up with the upper installation hole over the intersecting mark. Mark the upper and lower installation holes on the door with a pencil (Figure 2).
3. Repeat steps 1 and 2 for the opposite end of the door. Set the hangers aside.

# GARRICK HANGER Track & Door Installation Instructions

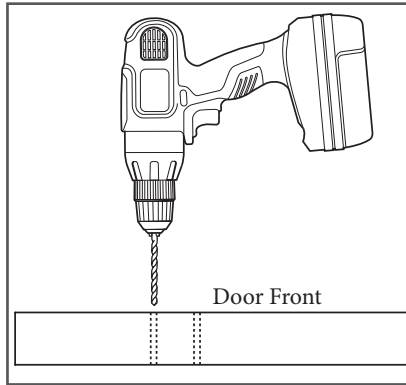


Figure 3

4. Drill two pilot holes all the way through the door for each hanger using a drill with an 1/8" drill bit (Figure 3).

5. Turn the door over. Using a 1-1/8" Forstner bit\*, drill a 7/16" deep hole into each pilot hole (Figure 4).

\*A 1-1/8" Spade bit may be used in place of a Forstner bit.

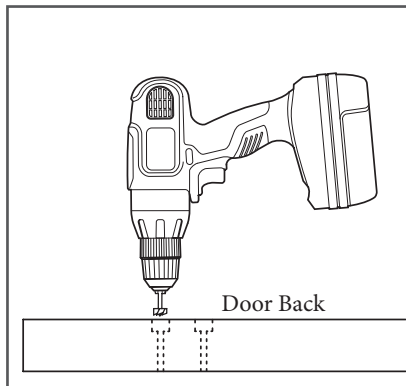


Figure 4

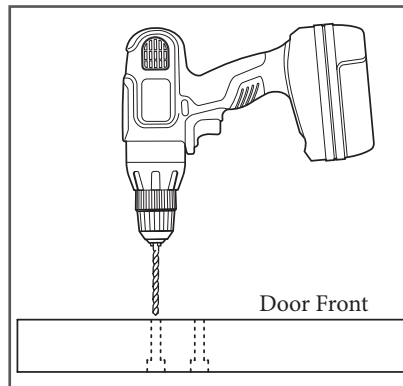


Figure 5

6. Turn the door over, returning it to the face-up position. Drill all the way through the pilot holes using a drill with a 3/8" drill bit (Figure 5).

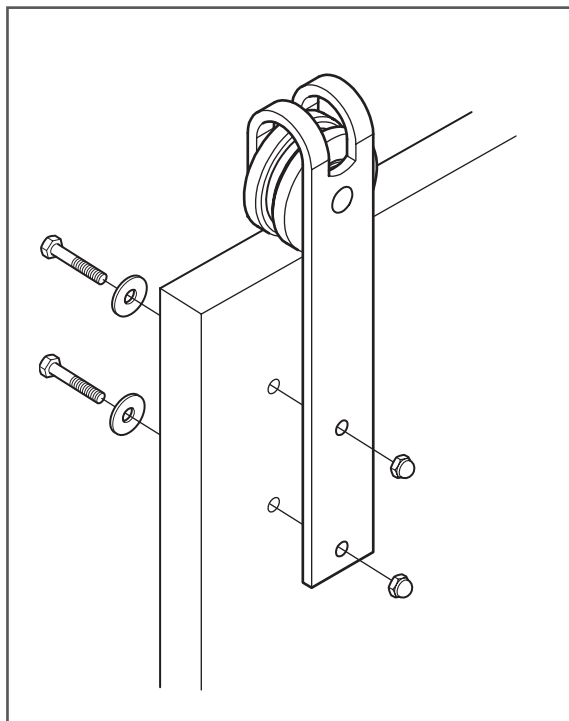


Figure 6

7. Install the hangers to the front of the door using hex bolts, washers, and acorn nuts (provided) (figure 6).

## FIRST THINGS FIRST

Check to see if the floor below the track area is level. If the floor rises more than 1/2" the door may rub or not slide open completely. If the floor is not level, measure from the highest point of the floor surface to the recommended track placement and adjust track placement accordingly.

Ensure the track will be installed onto wall studs. If wall studs are not lining up with the installation a header will be required to provide the necessary strength and stability for the track and door.

## TRACK & DOOR INSTALLATION

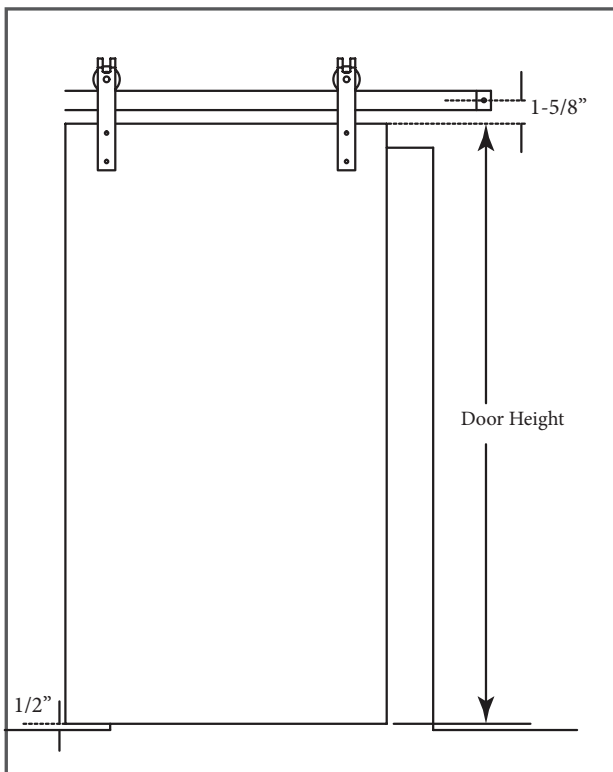


Figure 1

1. To determine where the track should be installed, first measure the height of the door, then add 2-1/4" to the door height. 1/2" of this total will be for the clearance between the bottom edge of the door and the floor. 1-5/8" will be from the top edge of the door to the center of the track. (Figure 1).

2. Using a level and a pencil, make a line above the doorway the same length as the track.

3. Hold the track up to where the pencil line is visible through the holes in the track (Figure 2).

**SUGGESTION:**  
Use pieces of double stick tape on the back of the track to help hold the track in place while completing steps 2 and 3.

4. Mark an intersecting line in the center of each track hole (Figure 2).

5. Take the track down, remove double stick tape (if used) and set the track aside.

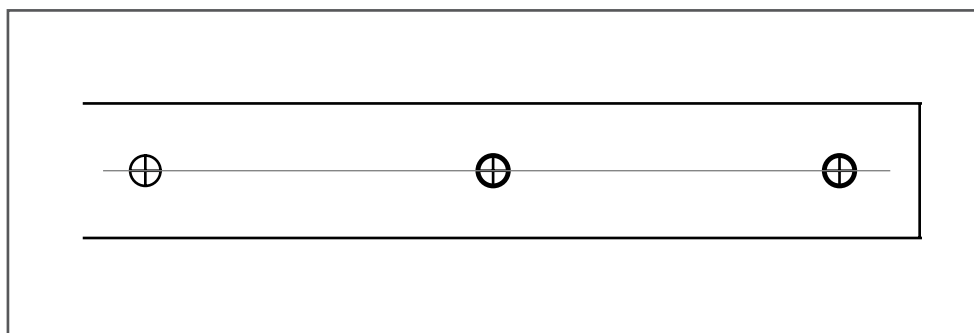


Figure 2

# GARRICK HANGER Track & Door Installation Instructions

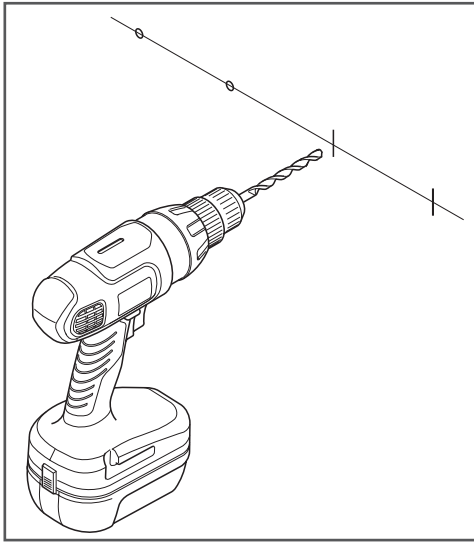


Figure 3

6. Drill out the marked holes using a drill with a 1/4" drill bit (Figure 3).

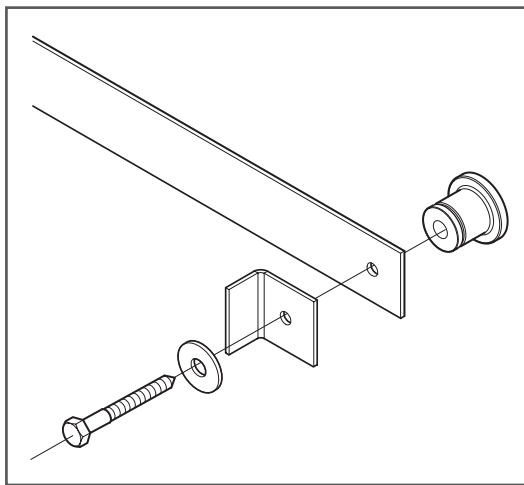


Figure 4

7. Attach one end of the track to the wall with one hard or soft stop, one lag screw, and one washer (provided) using a socket wrench with 9/16" socket (Figure 4). Do not tighten.

8. Repeat step 7 for the other end of the track.

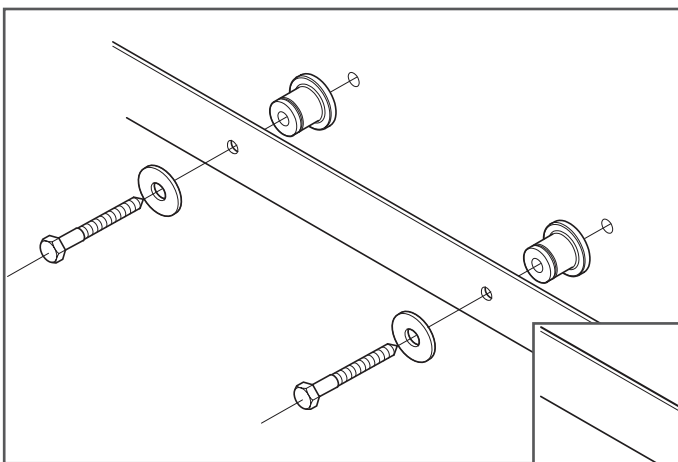


Figure 5

9. Install remaining spacers with lag screws and washers (provided) using a 9/16" socket wrench (Figure 5). Tighten all lag screws.

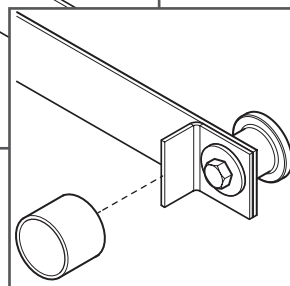


Figure 5A

10. Stretch rubber bumper (provided) over hard stop. Repeat for the hard stop on the other end of the track (Figure 5A).

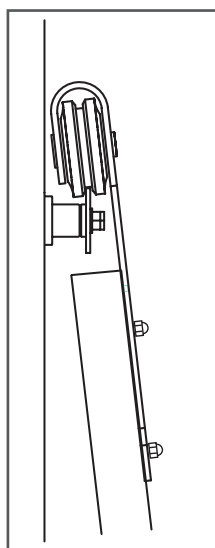


Figure 6

11. Hang the door (Figure 6).

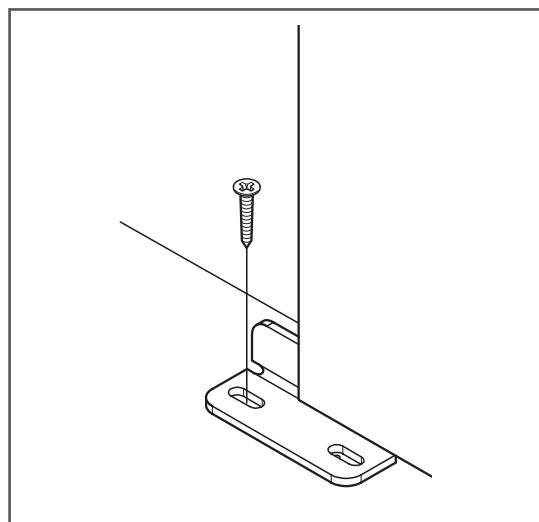


Figure 7

## DOOR GUIDE INSTALLATION

12. With the door in the closed position, ensure the door is hanging straight using a bubble level.

13. Position the Door Guide part way into the groove in the bottom of the door (Figure 7).

### SUGGESTION:

Use double stick tape on the bottom of the door guide to hold the guide in place.

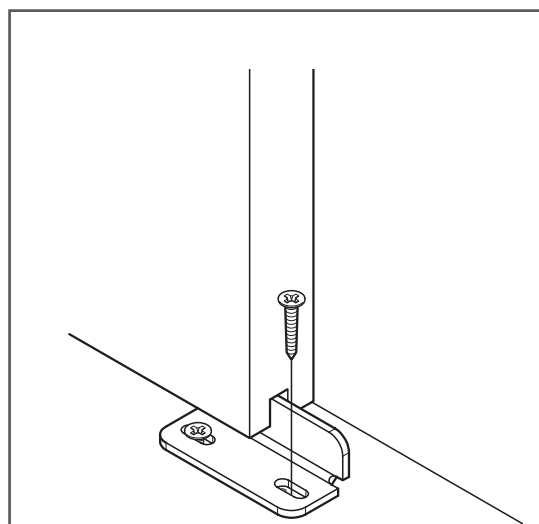


Figure 8

14. Install the Door Guide using a 1" phillips screw (provided) and a drill with a phillips bit.

15. Slide the door toward the open position until the other side of the Door Guide is exposed.

16. Install the second 1" phillips screw (provided) using a drill with a phillips bit (Figure 8).



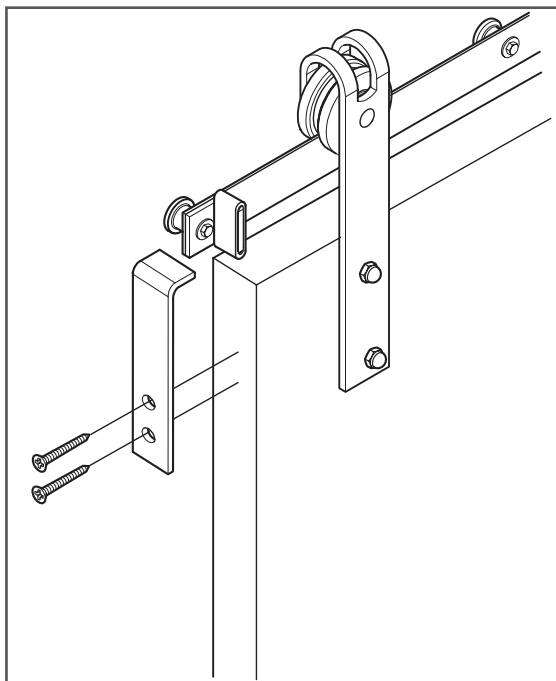


Figure 9

### ANTI-JUMP GUIDE INSTALLATION

17. Place the Anti-Jump bracket on the door side, moving the bracket up until it is between 1/8" and 1/16" from the bottom edge of the rail. Mark the placement with a pencil.

**SUGGESTION:**

Use double stick tape on the back of the anti-jump bracket to hold it in place on the door.

18. Install the bracket to the door edge with 2 phillips screws (provided) using a drill with a phillips bit (Figure 9).

19. Repeat steps 17 and 18 for the opposite end of the door.

### ANTI-JUMP BLOCK INSTALLATION FOR BI-PARTING DOORS

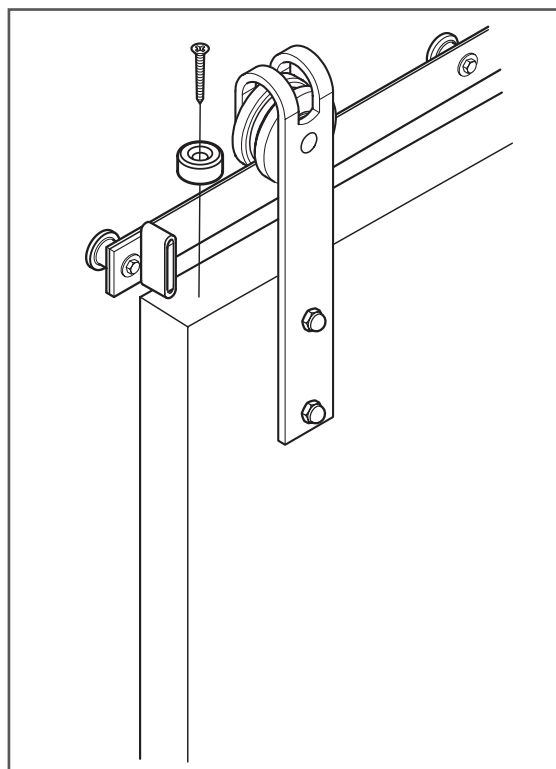


Figure 10

20. Place the Anti-Jump block on the top of the door (Figure 10). Using a drill with a phillips bit, install the the block with the 1" phillips screw (provided).

**SUGGESTION:**

Use double stick tape on the back of the anti-jump block to hold it in place on the door.

21. Repeat step 20 for the opposite end of the door.

# WE LOVE WHAT YOU ARE DOING WITH THE PLACE

CONGRATULATIONS ON YOUR DECISION TO BRING HOME  
AN AMERICAN MADE PRODUCT OF THE HIGHEST QUALITY.  
WE HOPE YOUR GARRICK HANGER BRINGS ART AND FUNCTION INTO  
YOUR LIFE.

DESIGNED AND CRAFTED  
ENTIRELY IN THE

# U.S.A.



DON'T BE A STRANGER. FOLLOW US  
ON SOCIAL MEDIA.



[support@rusticahardware.com](mailto:support@rusticahardware.com)