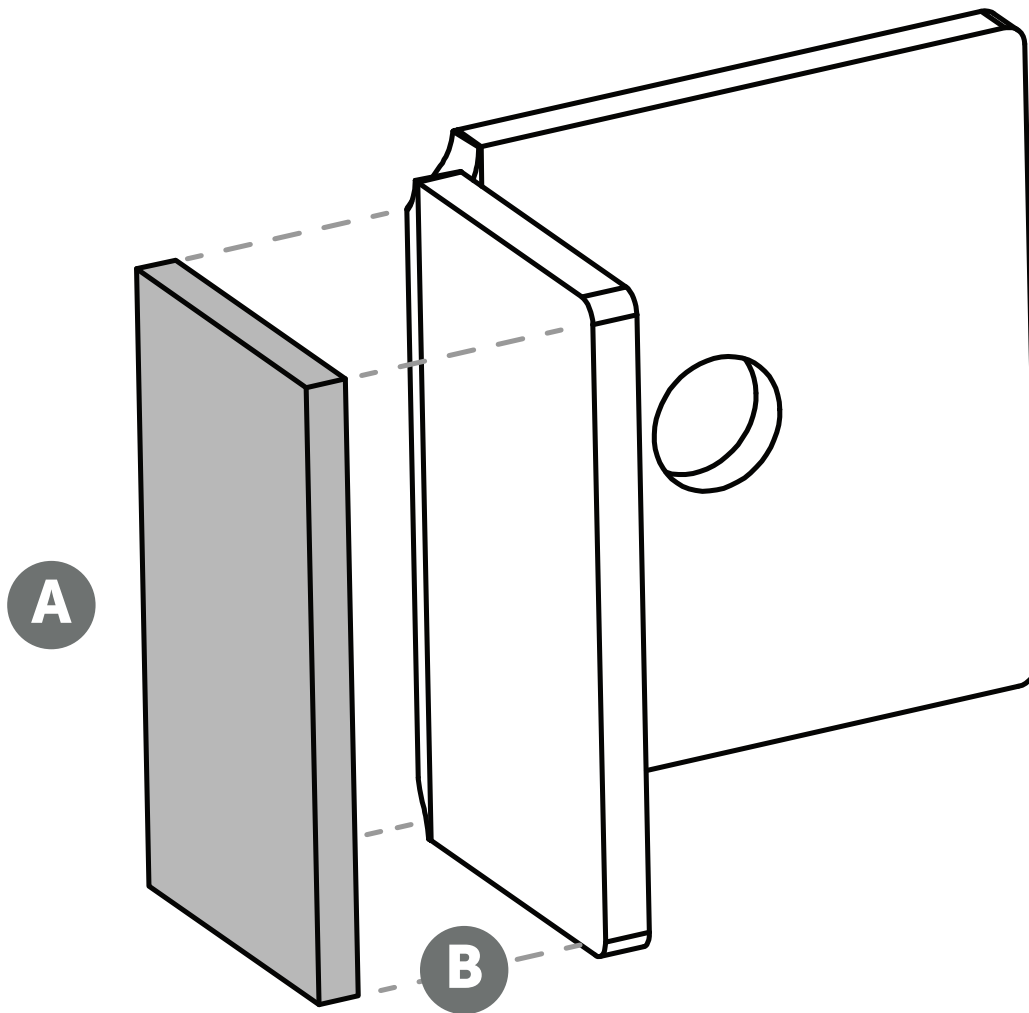


DOOR STOP BUMPER INSTALLATION



- A** Remove adhesive strip backing from rubber pad.
- B** Firmly apply the the pad to the stops, as shown.