



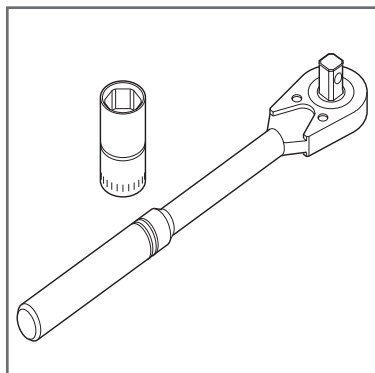
**ARTISAN HARDWARE<sup>®</sup>**



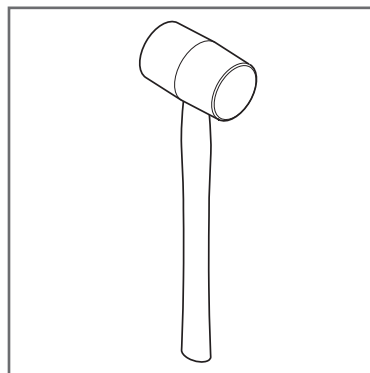
# **CRAFTSMAN HORIZONTAL**

## **ASSEMBLY INSTRUCTIONS**

## CRAFTSMAN HORIZONTAL Recommended Tools

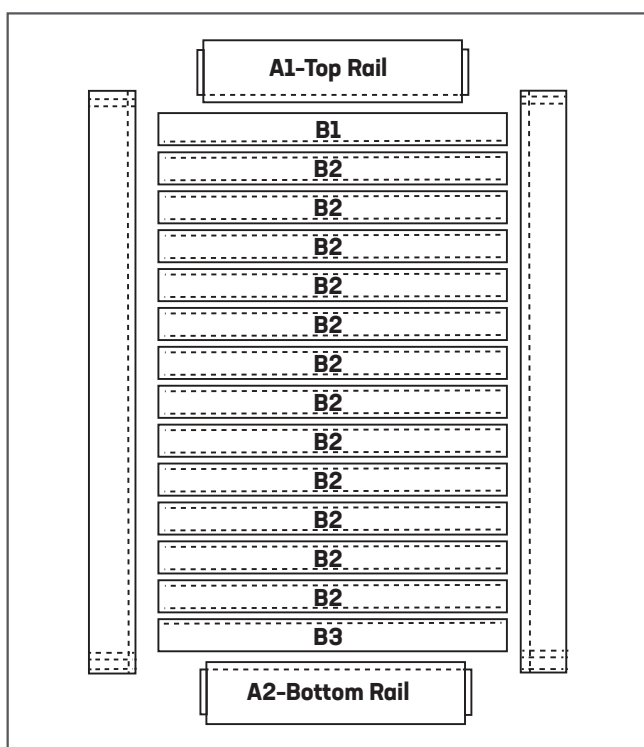


**Socket Wrench with  
7/16" Socket**

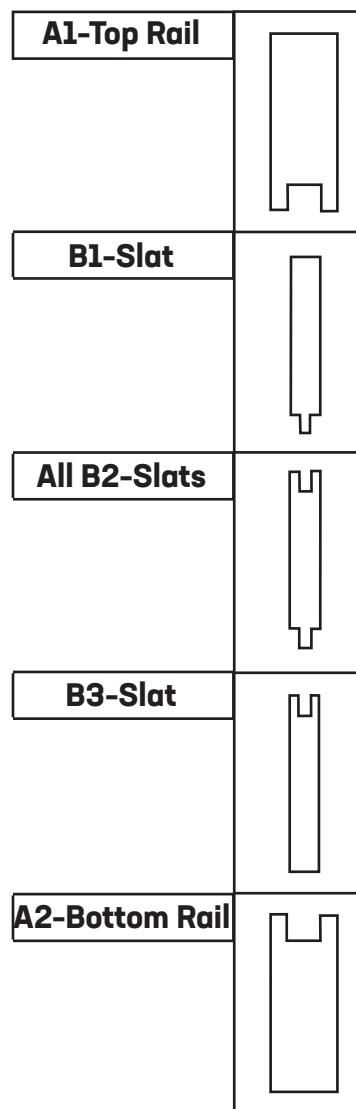


**Rubber Mallet**

## CRAFTSMAN HORIZONTAL Parts

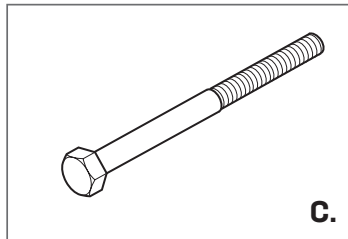


**Door Parts**



**Slat and Rail End Views**

## CRAFTSMAN HORIZONTAL Parts



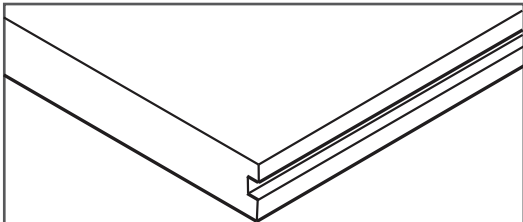
PARTS		
QTY		
A1 L	Side Stile Left	1
A1 R	Side Stile Right	1
A2	Bottom Rail	1
A3	Top Rail	1
B1	Left Side Slat	1
B2	Middle Slats	5*
B3	Right Side Slat	1
C	6" Lag Bolts	4*

\*Quantities will vary depending on door size.

### FIRST THINGS FIRST

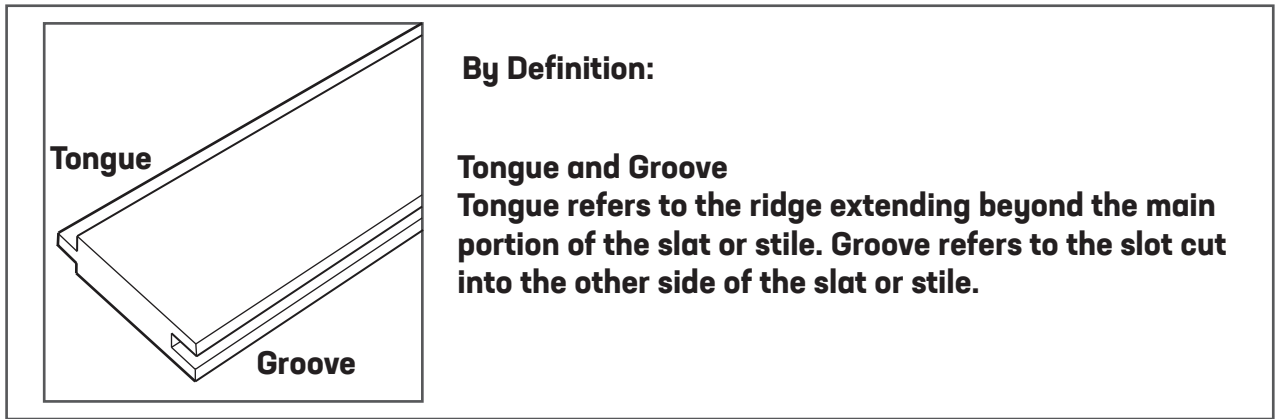
Lay out all wood parts before beginning assembly to ensure parts have not been damaged in shipping. If damage has occurred, call 801-698-2641 and Artisan Hardware will expedite a replacement.

This door model comes in various sizes. The instructions have been written for the average single door size; but larger doors may have more wood and fastener parts.

<p><b>NOTE:</b> Doors using Floor Mount Door Guides will have a groove on the bottom edge. Ensure this groove is on the bottom when hanging the door.</p>	
---	--

**Use teamwork—We recommend two people for this build.**

# CRAFTSMAN HORIZONTAL Assembly Instructions



1. On a flat, clean surface, lay out B1 with the tongue facing down. Lay all B2 slats below B1 with the tongue facing up. Lay B3 below the last B2 Slat with the groove facing up. Assemble by fitting the tongue into the groove of each piece. (Figure 1).

**NOTE:**  
The following should be a 'dry' assembly.  
Do not use adhesives in when putting this door together.

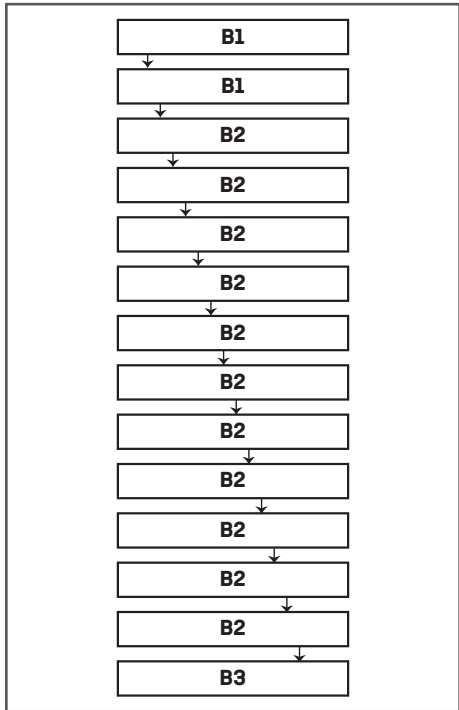


Figure 1

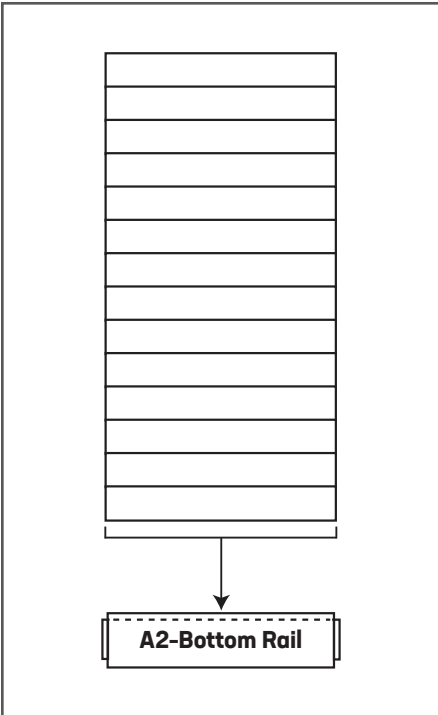
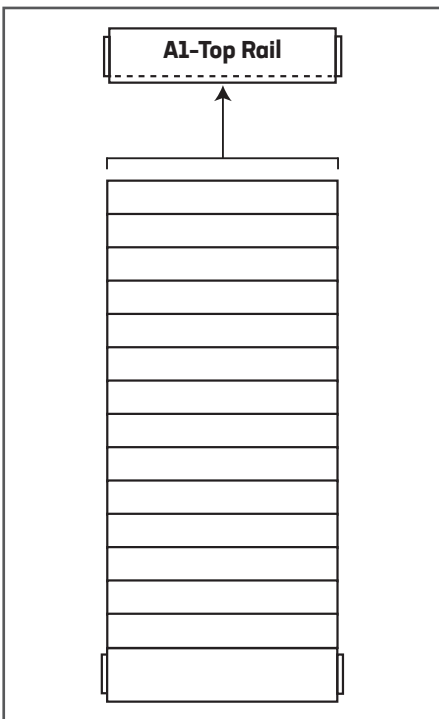


Figure 2

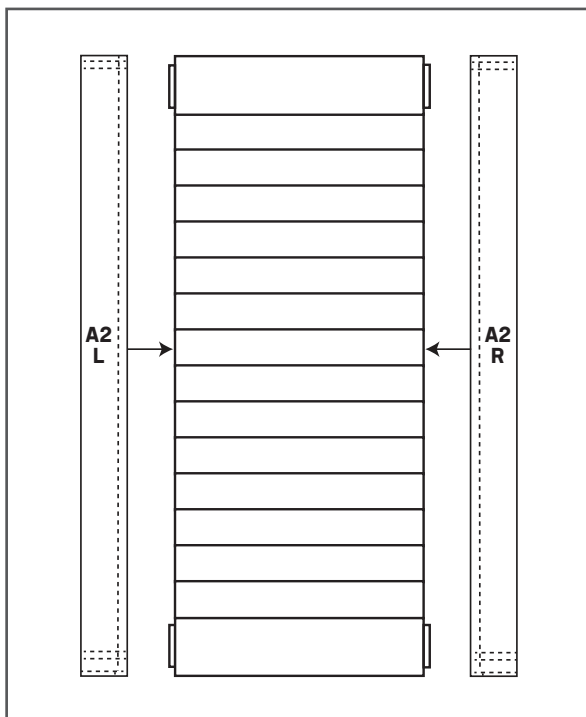
2. Place the Bottom Rail (A2) below the assembled slats. Slide upward to cover the lower edge of the slat assembly. Tap the Bottom Rail into place with a rubber mallet (Figure 2).

## CRAFTSMAN HORIZONTAL Assembly Instructions



**Figure 3**

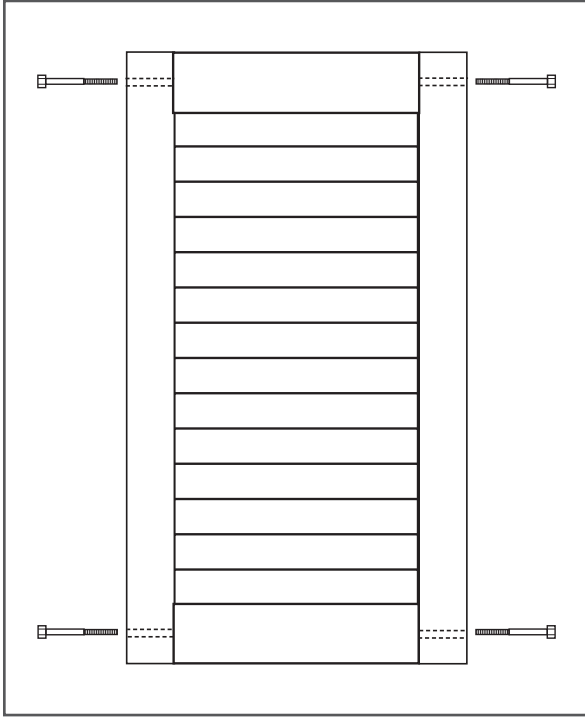
**3. Place the Top Rail (A1) above the assembled slats. Slide downward to cover the upper edge of the slat assembly. Tap the Top Rail into place with a rubber mallet. (Figure 3).**



**Figure 4**

**4. Place the left Stile (A2 L) beside the assembled slats and rails. Slide to the right to cover the rail tongues and the edge of the slat assembly. Tap the stile into place with a rubber mallet. Repeat with the right stile (A2 R). (Figure 4).**

## CRAFTSMAN HORIZONTAL Assembly Instructions



**Figure 5**

**5. Fix the door assembly with four 6" lag bolts (provided), using a socket wrench with a 7/16" socket (Figure 5).**



# ARTISAN HARDWARE<sup>®</sup>

**Sales & Customer Support**  
**Monday - Friday: 7am-6pm (MST)**  
**Saturday: 9am - 3pm (MST)**  
**1-801-698-2641**  
**[support@artisanhardware.com](mailto:support@artisanhardware.com)**

*Enjoy!*