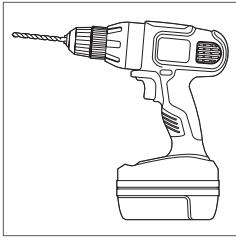


RUSTICA FOOT PULL

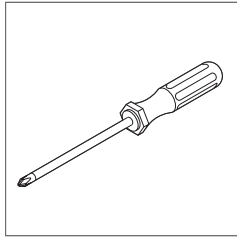
INSTALLATION INSTRUCTIONS



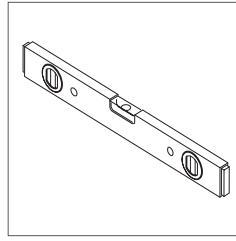
BOX TRACK Recommended Tools



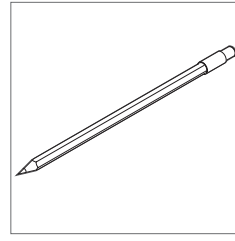
Drill



Phillips Screw
Driver (Optional)



Level



Pencil

BOX TRACK Instructions

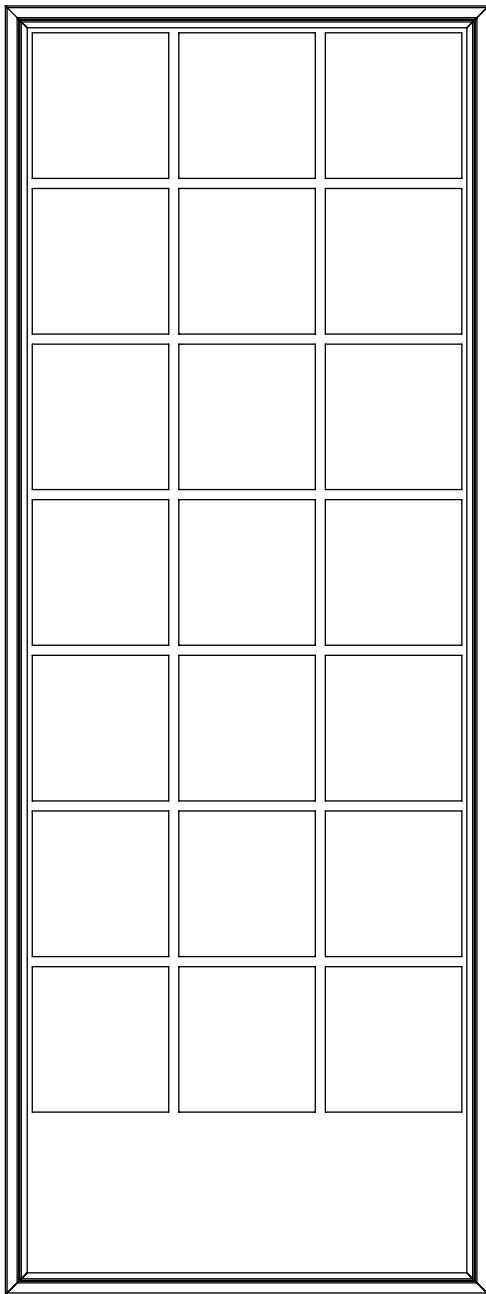


Figure 1

1. Place foot pull at desired location on door taking into account the fully closed and fully open positions of the door. (Figure 1)
2. After leveling the foot pull, use a pencil to mark the holes.
3. Use a drill to start pilot holes if needed.
4. Attach to the bottom rail of door using self tapping screws (included). (Figure 2)

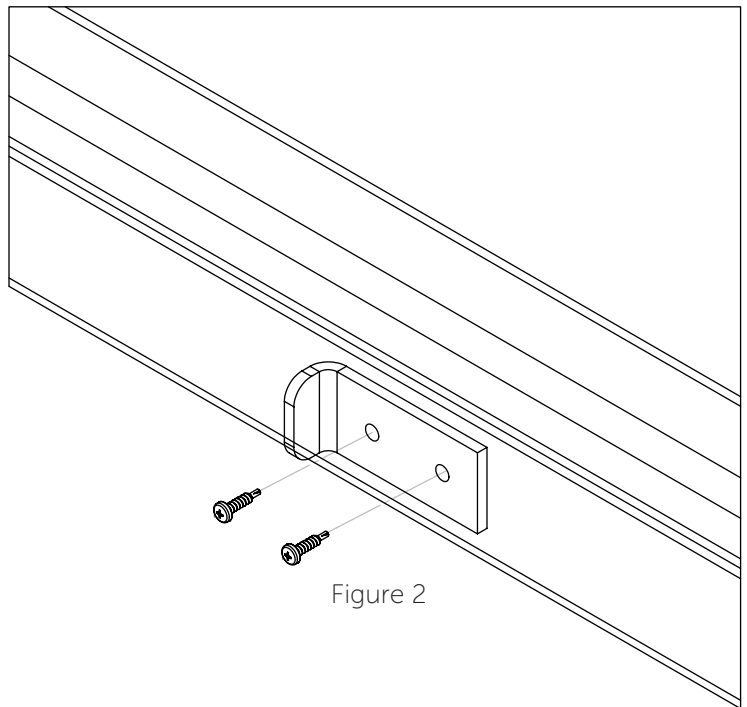


Figure 2



WE LOVE WHAT YOU'RE DOING WITH THE PLACE

CONGRATULATIONS ON YOUR DECISION TO BRING HOME
AN AMERICAN MADE PRODUCT OF THE HIGHEST QUALITY.

1-800-891-8312
support@rustica.com
www.Rustica.com

DESIGNED AND CRAFTED ENTIRELY IN THE

U.S.A.



DON'T BE A STRANGER.
FOLLOW US ON SOCIAL MEDIA.

