

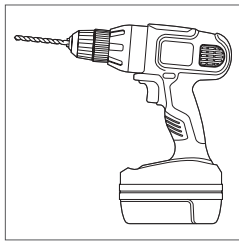


BIFOLD SYSTEM

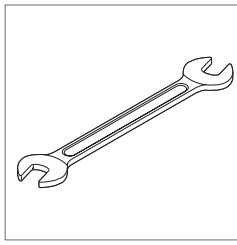
ASSEMBLY INSTRUCTIONS



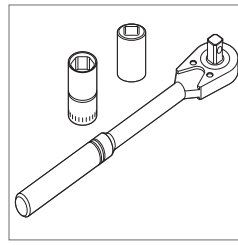
BIFOLD SYSTEM Recommended Tools



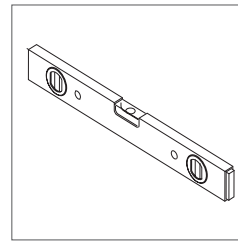
Drill with 1/8" and 1/4"
Bits, and Phillips Bit



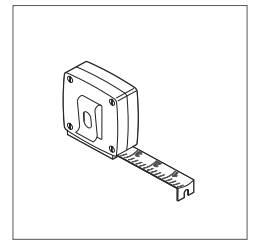
9/16" and 5/8"
Combination
Wrench



Socket Wrench with
9/16" and 5/8" Socket

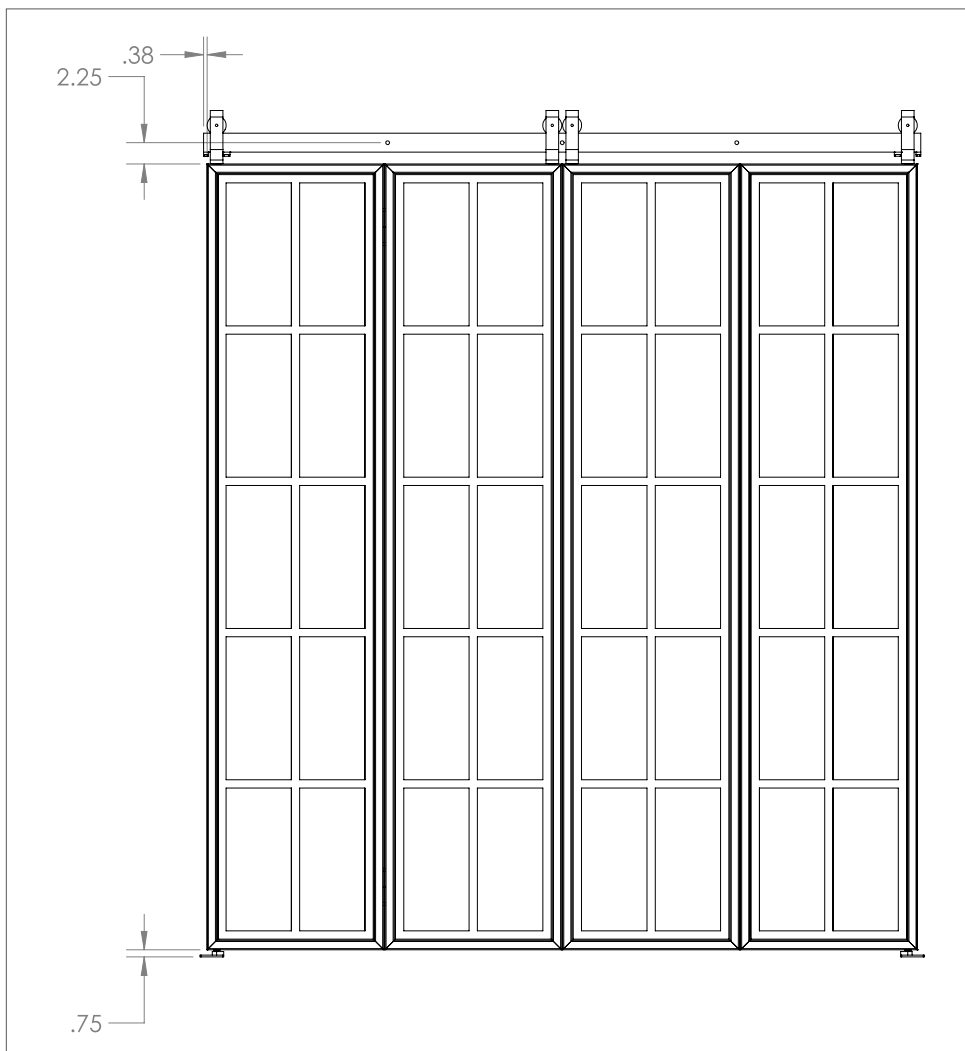


Level



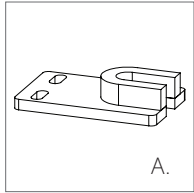
Tape Measure

BIFOLD SYSTEM Specifications

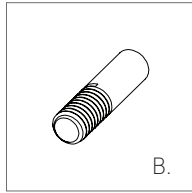


BIFOLD SYSTEM Parts

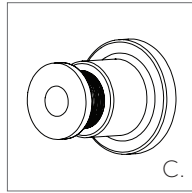
Use teamwork. We recommend two people for this build.



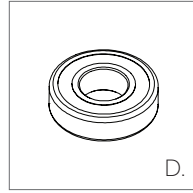
A.



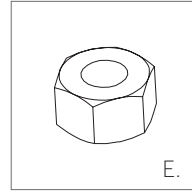
B.



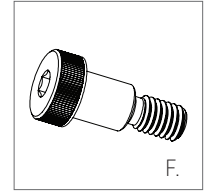
C.



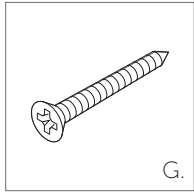
D.



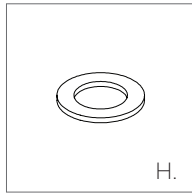
E.



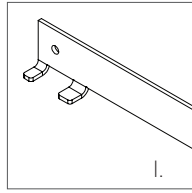
F.



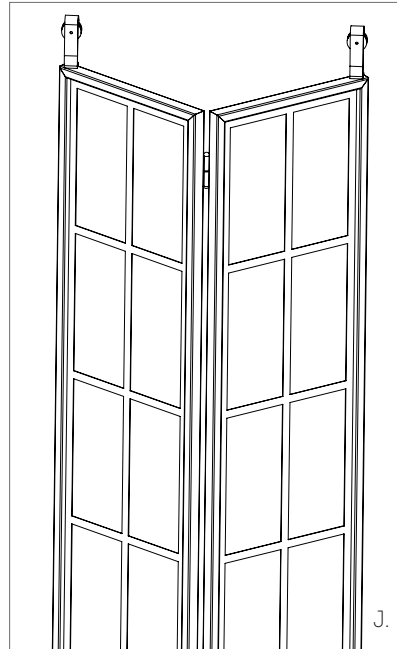
G.



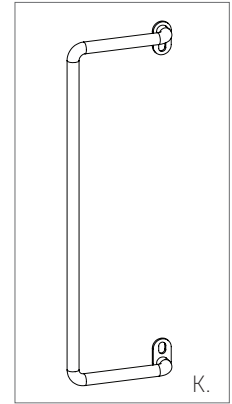
H.



I.



J.

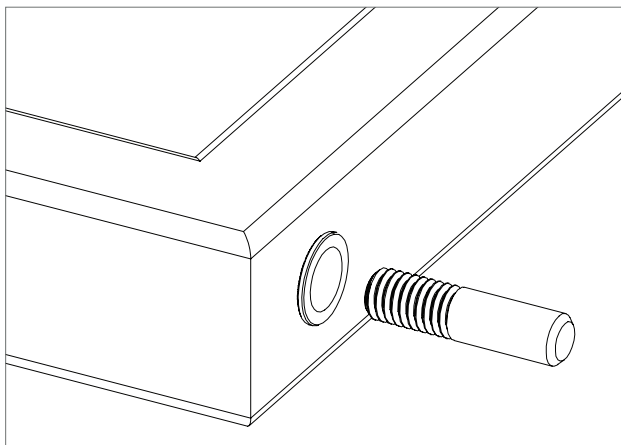


K.

PARTS

- | | |
|---|---|
| A. Floor Pivot | F. Shoulder Bolt (Qty. 4) |
| B. Threaded Stud (Qty. 2) | G. Wood Screw (Qty. 4) |
| C. Adjustable Spacer
(Qty. Based on Track
Length) | H. Washer (Qty. 4) |
| D. Bearing (Qty. 4) | I. BIFOLD Track |
| E. Hex Bolt (Qty. Based
on Track Length) | J. Folding Door-Style
Based on Order
(Qty. 2) |
| F. Shoulder Bolt (Qty. 4) | K. Pull (Qty. 2) |

BIFOLD SYSTEM Assembly Instructions



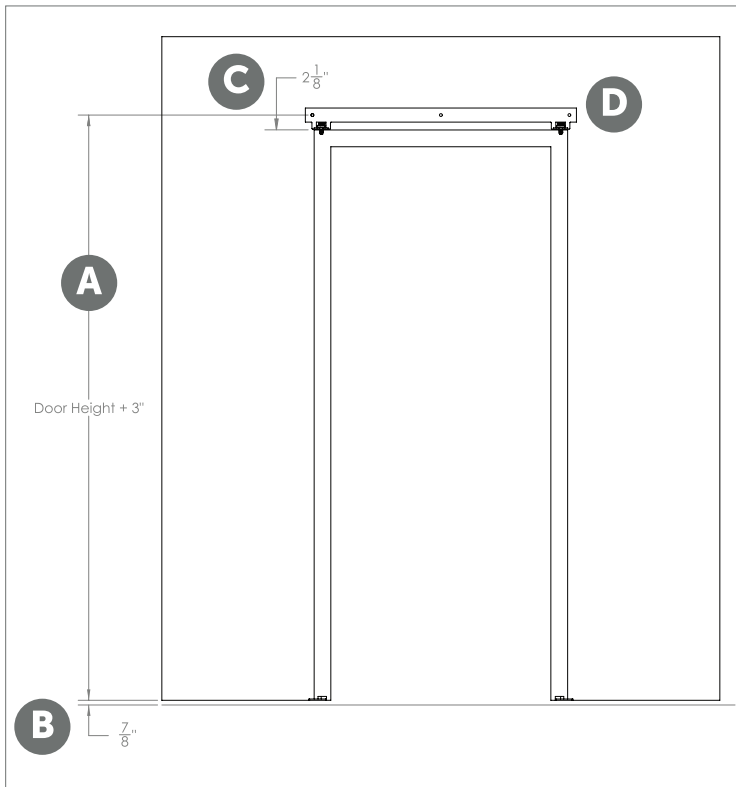
With the door laying flat, screw the threaded stud into the bottom of the door on the same side as the shoulder bolt, washer, and bearing without the hanger attached.



FIRST THINGS FIRST

Check to see if the floor below the track is level. If the floor rises more than 1/2", the door may rub or not slide open completely. If the floor is not level, measure from the highest point of the floor surface to the recommended track placement and adjust track placement accordingly.

Ensure the track will be installed onto wall studs. If wall studs are not lining up with the installation a header will be required to provide the necessary strength and stability for the track and door.



TRACK INSTALLATION

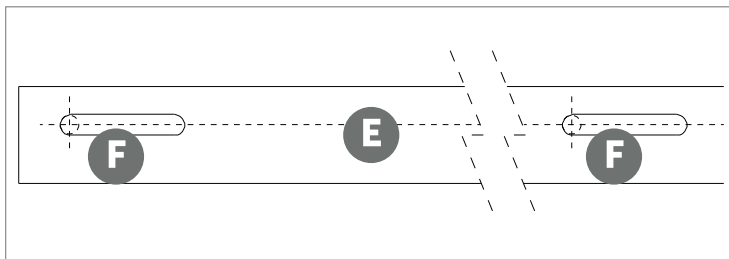
Check to see if the floor below the track area is level. If the floor rises more than 1/8", the door may rub or not slide open completely. If the floor is not level, measure from the highest point of the floor surface to the recommended track placement and adjust track placement accordingly.

Ensure the track will be installed onto wall studs. If the installation is not lining up with wall studs, a header will be required to provide the necessary strength and stability for the track and door.

A To determine where the track should be installed, first measure the height of the door, then add 3" to the door height. **B** 7/8" will be for the clearance between the bottom of the door and the floor. **C** 2-1/8" will be from the top edge of the door to the center of the track.

D Using a level and a pencil, mark a line above the doorway the same length as the track.

E Hold the track up to where the pencil line is visible through the holes in the track.



SUGGESTION:

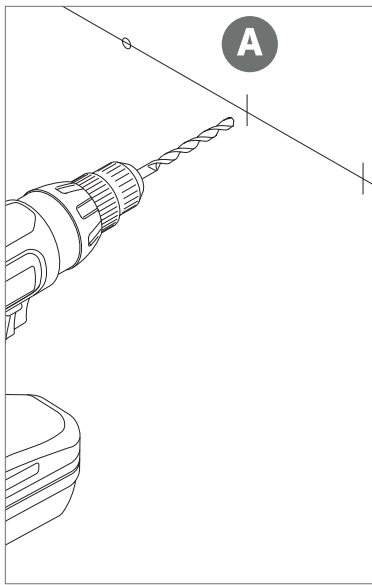
Use pieces of double stick tape on the back of the track to help hold the track in place while completing steps **D** and **E**.

F Mark an intersecting line inside each slotted hole wherever they work best for your wall (i.e. stud locations).

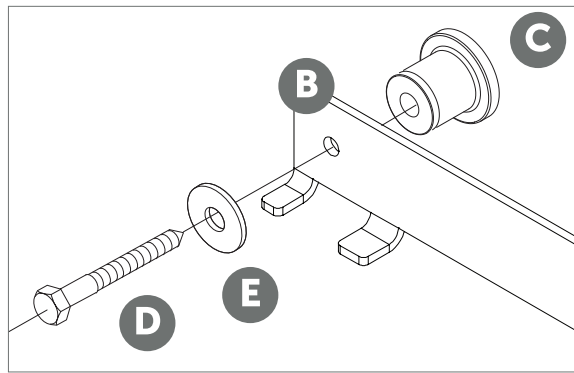
Take the track down, remove double stick tape (if used) and set the track aside.



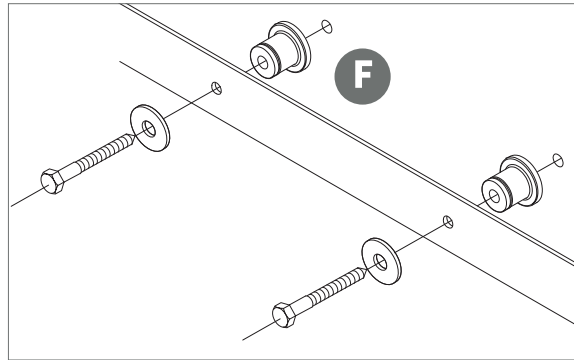
BIFOLD SYSTEM Assembly Instructions



A Drill out the marked holes using a drill with a 1/4" drill bit.

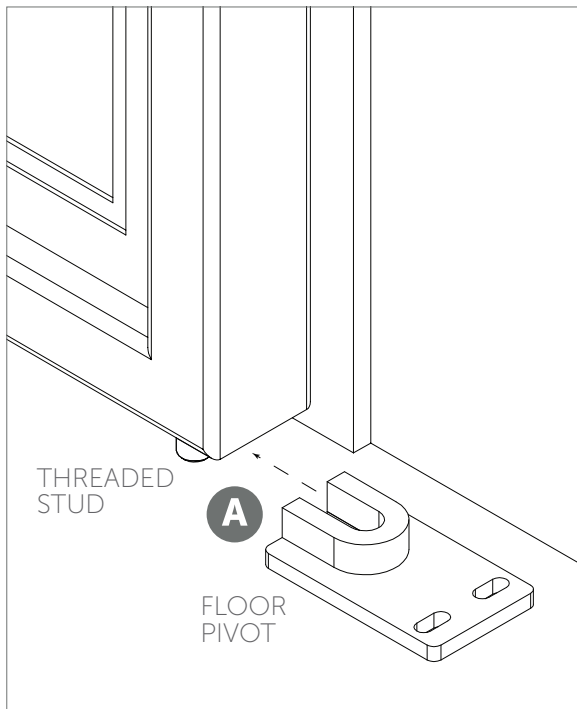


B Attach one end of the track to the wall with **C** a spacer, **D** one lag screw, and **E** one washer (provided) using a socket wrench with 9/16" socket. Do not tighten.

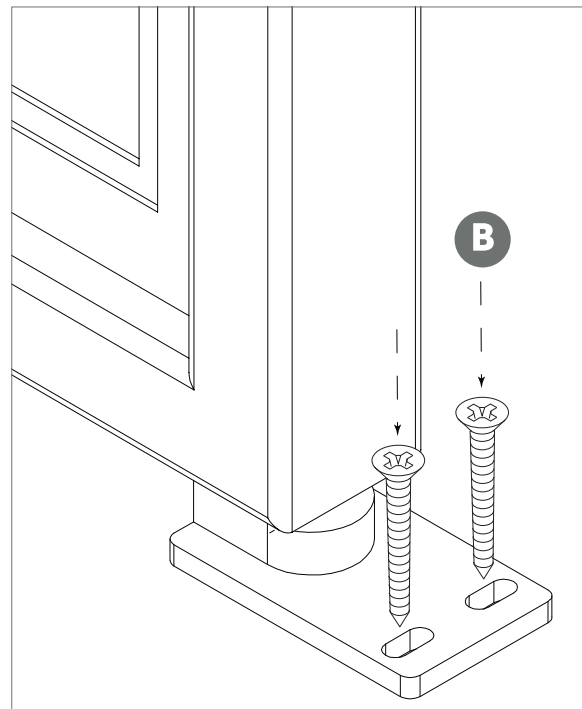


F Install remaining spacers with lag screws and washers (provided) using a 9/16" socket wrench. Tighten all lag screws.

BIFOLD SYSTEM Floor Pivot Installation



A Holding your door plumb, slide your floor pivot onto the threaded stud.



B Secure the floor pivot in place using provided #8 x 3/4" wood screws.

Test your door and adjust the floor pivot as needed.



WE LOVE WHAT YOU'RE DOING WITH THE PLACE

CONGRATULATIONS ON YOUR DECISION TO BRING HOME
AN AMERICAN MADE PRODUCT OF THE HIGHEST QUALITY.
WE HOPE YOUR BIFOLD SYSTEM BRINGS ART
AND FUNCTION INTO YOUR LIFE.

1-800-891-8312
support@rustica.com
www.Rustica.com

DESIGNED AND CRAFTED ENTIRELY IN THE
U.S.A.



DON'T BE A STRANGER.
FOLLOW US ON SOCIAL MEDIA.

