

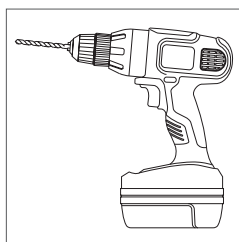


# BUNKER SHELF KIT

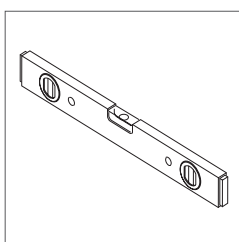
## ASSEMBLY INSTRUCTIONS



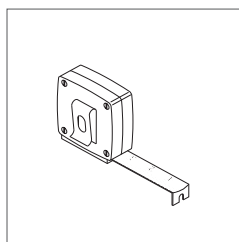
## BUNKER SHELF KIT Recommended Tools



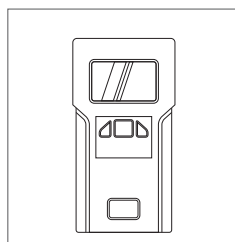
Drill with 1/8" Drill Bit  
and Phillips Screw Bit



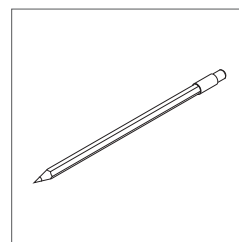
Level



Tape Measure

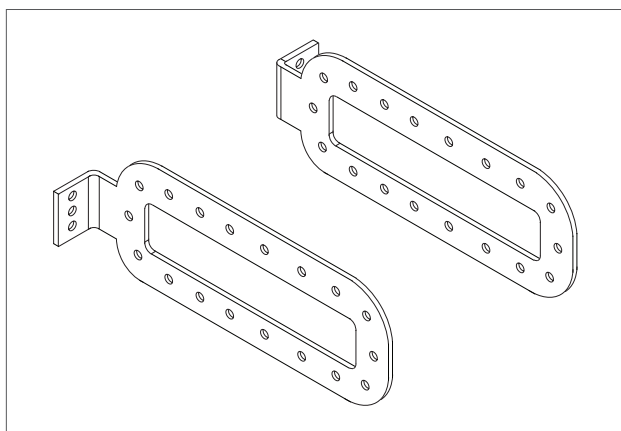


Stud Finder



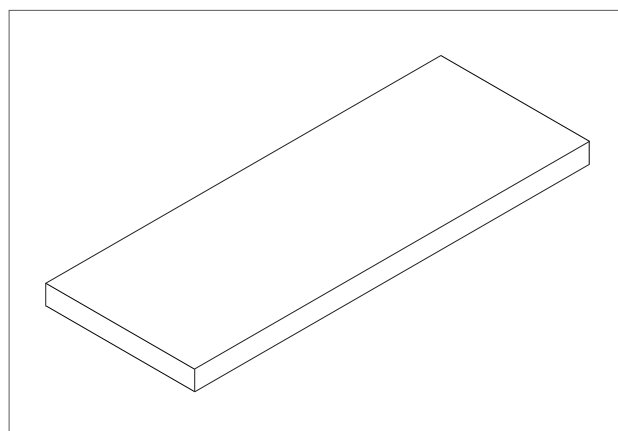
Pencil

## BUNKER SHELF KIT Parts

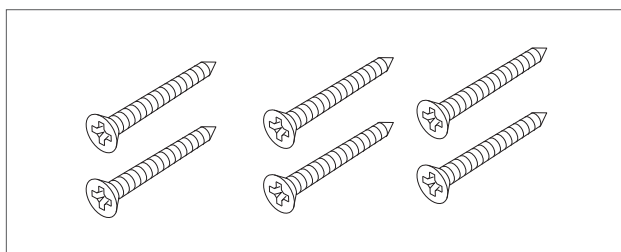


2) Brackets

## BUNKER SHELF KIT Assembly Instructions



1) Shelf



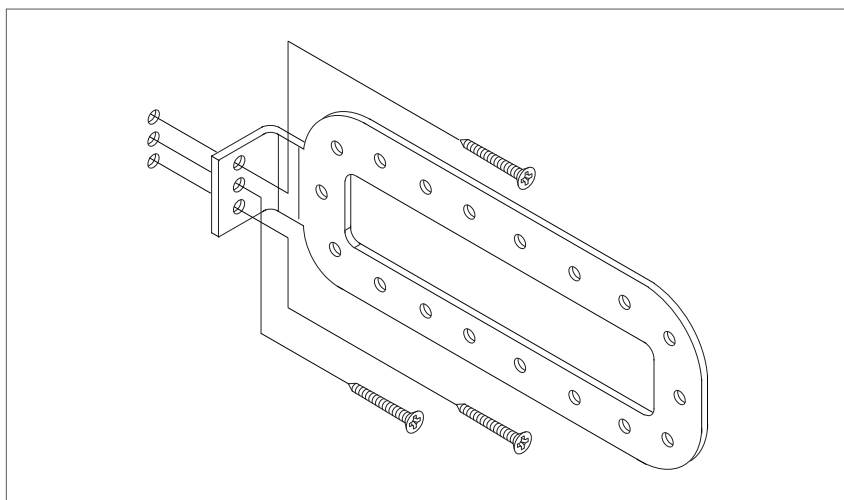
6) Screws



# BUNKER SHELF KIT Assembly Instructions

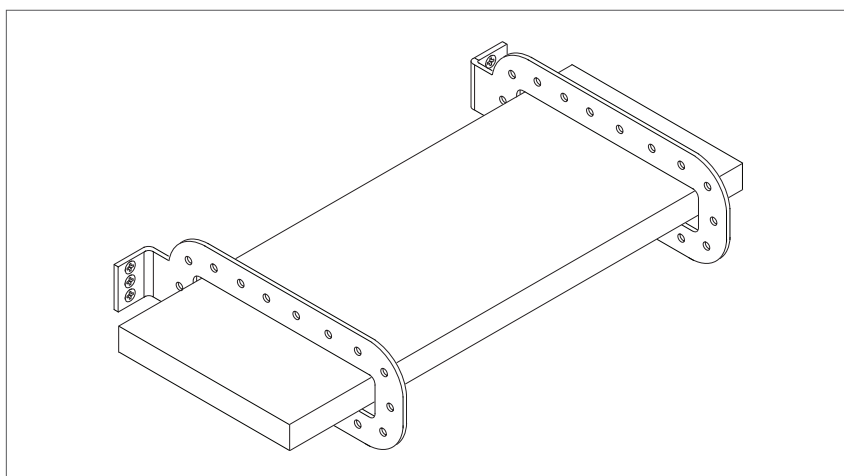
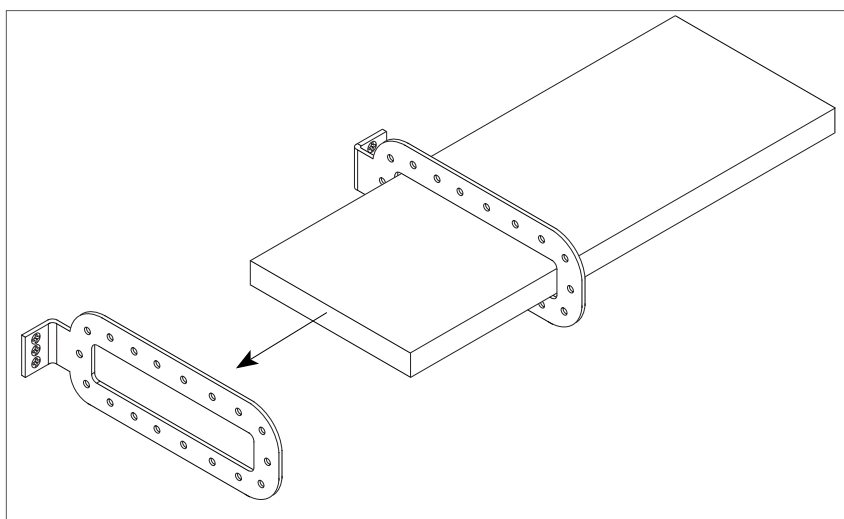
## NOTE:

For the best installation, mount Bunker Shelf Brackets into wall studs using the provided screws. If brackets cannot be mounted on studs, drywall anchors will be necessary.



## NOTE:

Do not exceed board thickness of 1-3/4" if using a shelf board other than the one provided in this kit.



## NOTE:

Do not exceed 58 inches between brackets. Do not place more than 100 pounds on the shelf.



# WE LOVE WHAT YOU'RE DOING WITH THE PLACE

CONGRATULATIONS ON YOUR DECISION TO BRING HOME  
AN AMERICAN MADE PRODUCT OF THE HIGHEST QUALITY.  
WE HOPE YOUR BUNKER SHELF KIT BRINGS ART  
AND FUNCTION INTO YOUR LIFE.

1-800-891-8312  
support@rustica.com  
www.Rustica.com

DESIGNED AND CRAFTED ENTIRELY IN THE  
**U.S.A.**



DON'T BE A STRANGER.  
FOLLOW US ON SOCIAL MEDIA.

