



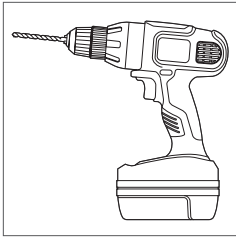
# PILLAR STANDARD HANGER

ASSEMBLY INSTRUCTIONS

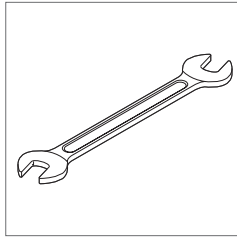


**RUSTICA**

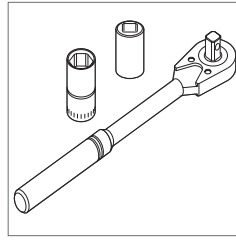
## PILLAR HANGER RECOMMENDED TOOLS



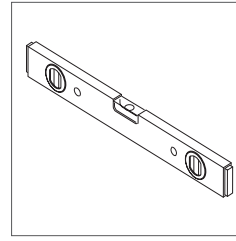
Drill with 1/8", 1/4", and 3/8" Drill Bits, 1-1/8" Forstner Bit or 1-1/8" Spade Bit, and Phillips Bit



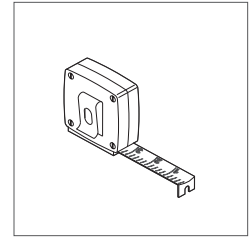
9/16" and 5/8" Combination Wrench



Socket Wrench with 9/16" and 5/8" Sockets

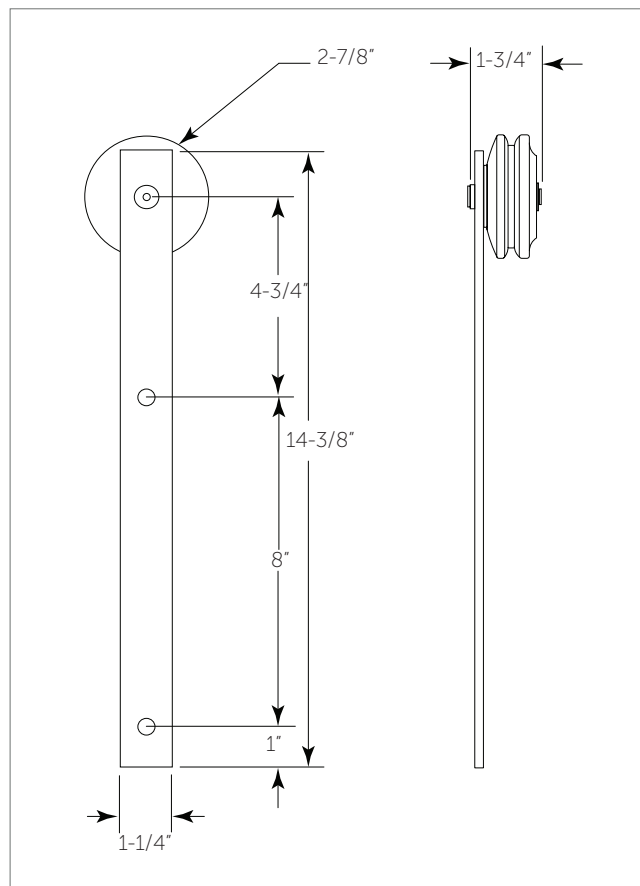


Tape Measure

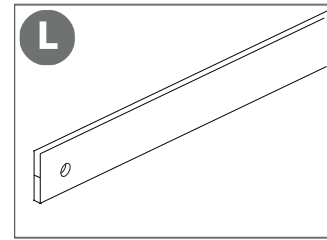
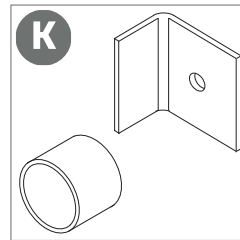
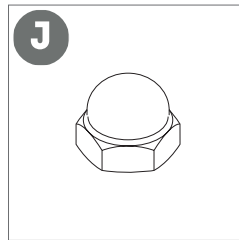
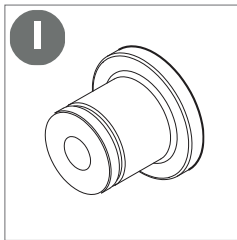
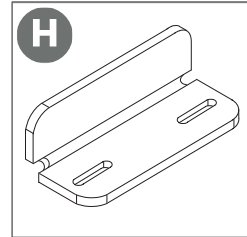
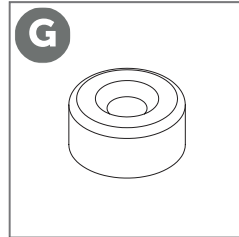
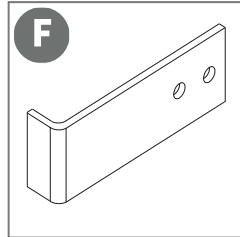
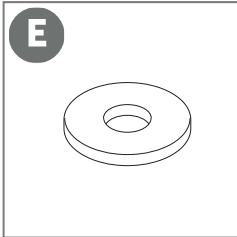
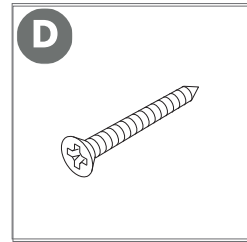
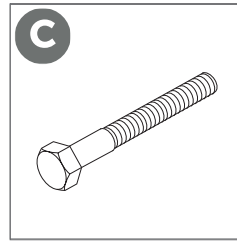
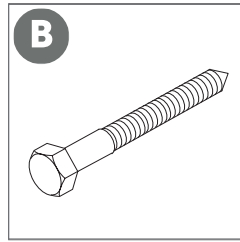
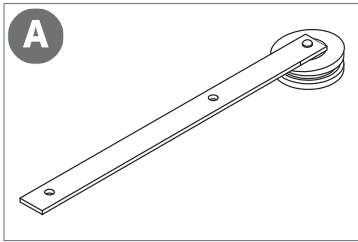


Pencil

## PILLAR HANGER SPECIFICATIONS



## PILLAR HANGER PARTS



**A** Hanger Assembly

**B** Lag Screw

**C** Fastener Screw

**D** Phillips Screw

**E** 1" Washer

**F** Anti-jump Bracket

**G** Anti-jump Block (For use on bi-parting door systems)

**H** Door Guide

**I** Adjustable Spacers

**J** Acorn Nut

**K** Hard Stop & Rubber Bumper

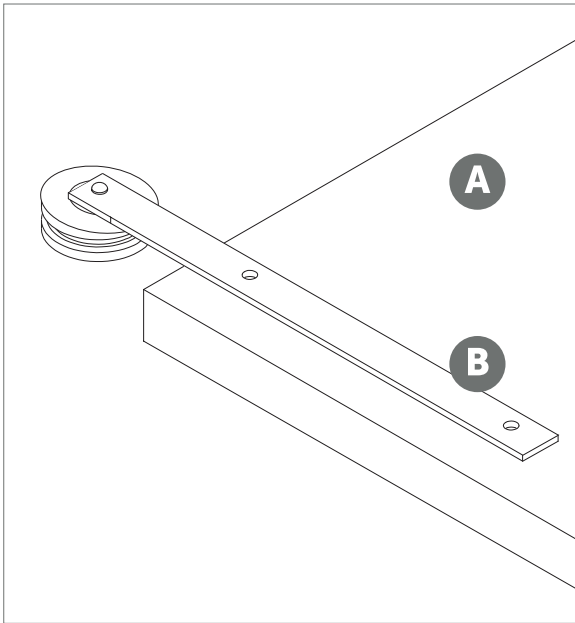
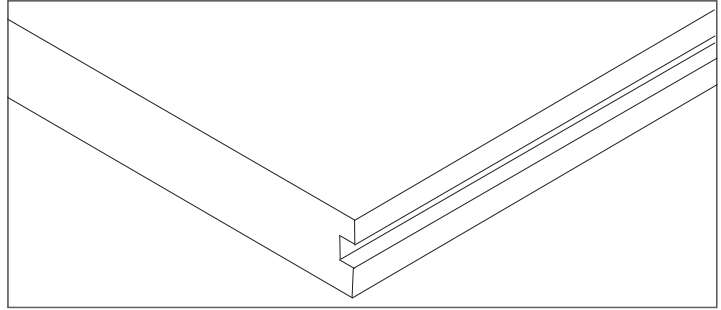
**L** Track

**DIT! (DO IT TOGETHER)**  
**WE RECOMMEND TWO**  
**PEOPLE FOR THIS BUILD**

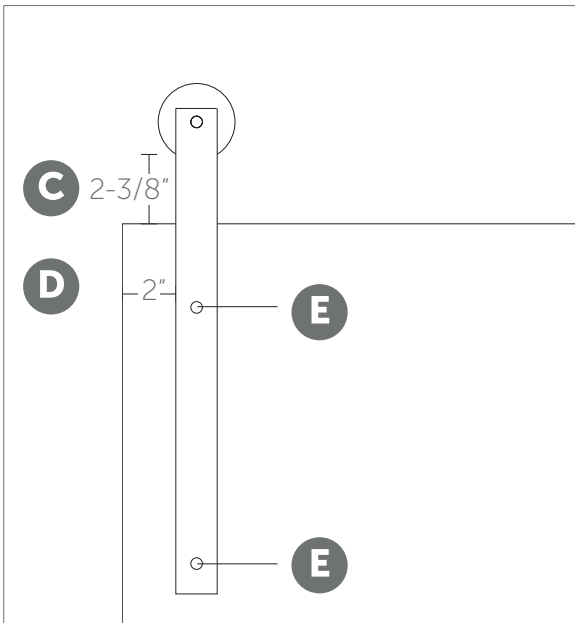


## PILLAR HANGER ASSEMBLY INSTRUCTIONS

**NOTE:** Doors using Floor Mount Door Guides will have a groove on the bottom. Ensure this groove is on the opposite end of the Door Hanger Installation.



- A** Lay the door with the front facing up on a flat, level surface.
- B** Place the hanger on the door.

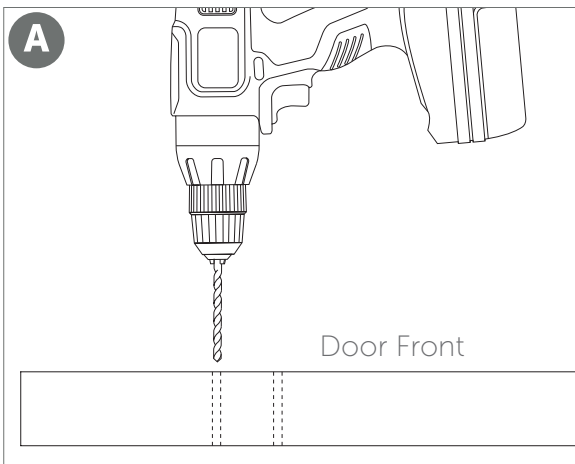


- C** Adjust the placement of the hanger for a 2-3/8" gap between the top of the door and the bottom edge of the wheel.
- D** Ensure the side of the hanger is resting 2" from the edge of the door.
- E** Mark the center of each installation hole with a pencil.

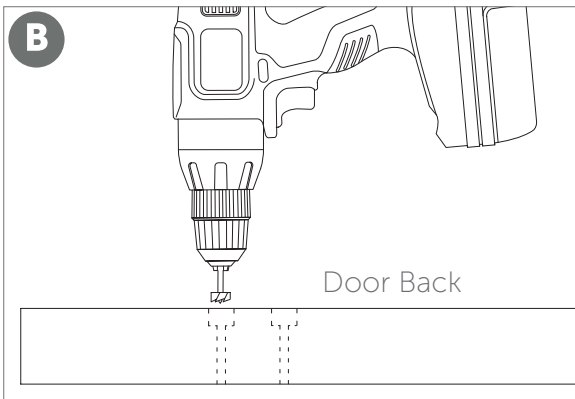
Repeat steps 2-4 for the opposite end of the door. Set the hangers aside.



## PILLAR HANGER ASSEMBLY INSTRUCTIONS

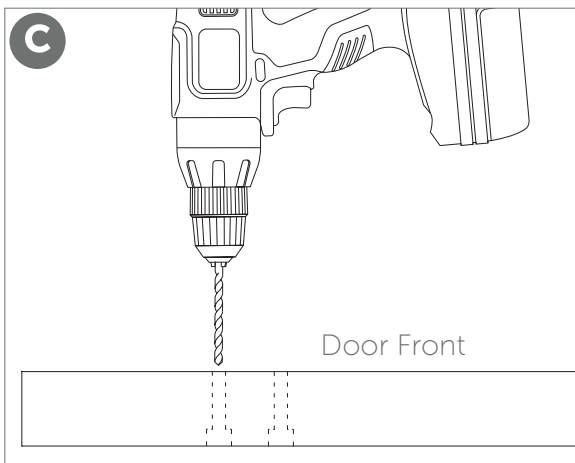


**A** Drill two pilot holes all the way through the door for each hanger using a drill with an 1/8" drill bit for each hanger using a drill with an 1/8" drill bit.



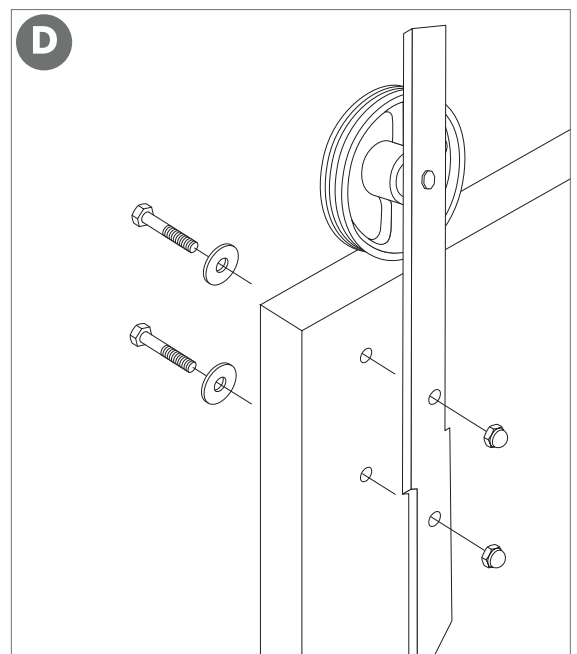
**B** Turn the door over. Using a 1-1/8" Forstner bit\*, drill a 7/16" deep hole into each pilot hole.

\*A 1-1/8" Spade bit may be used in place of a Forstner bit.



**C** Turn the door over, returning it to the face-up position. Drill all the way through the pilot holes using a drill with a 3/8" drill bit.

**D** Install the hangers to the front of the door using lag bolts, washers, and acorn nuts (provided).

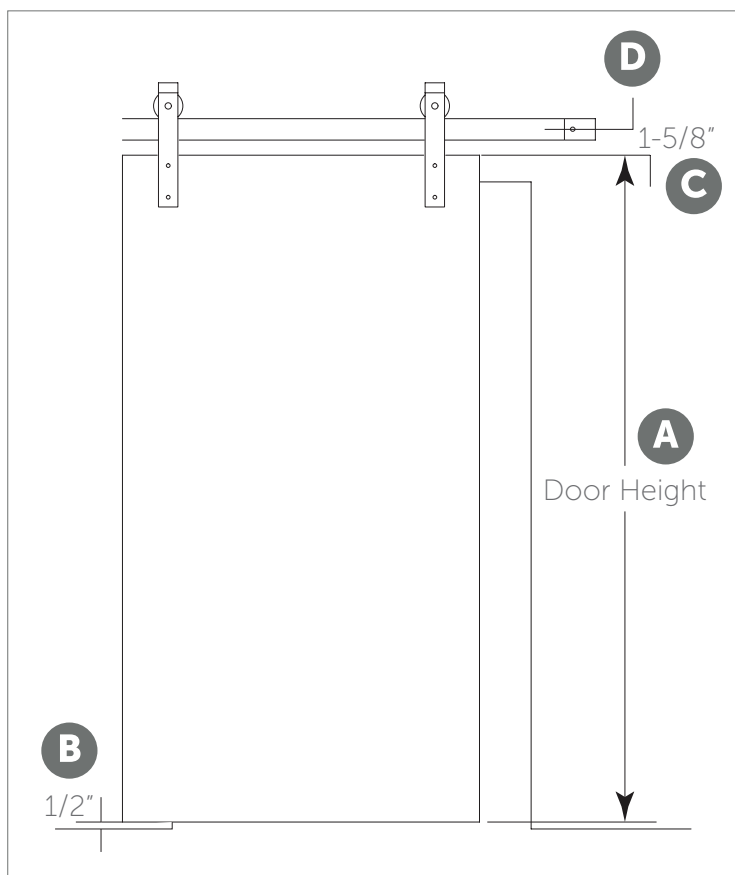


# PILLAR HANGER ASSEMBLY INSTRUCTIONS

## FIRST THINGS FIRST

Check to see if the floor below the track is level. If the floor rises more than 1/2", the door may rub or not slide open completely. If the floor is not level, measure from the highest point of the floor surface to the recommended track placement and adjust track placement accordingly.

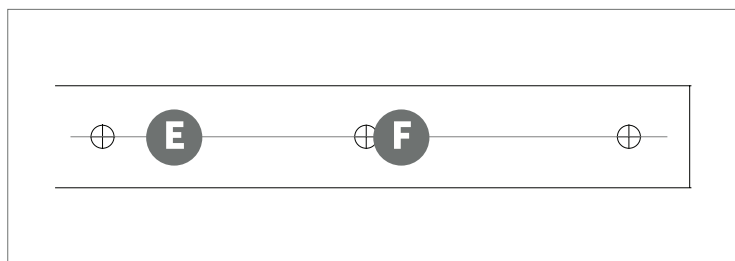
Ensure the track will be installed onto wall studs. If wall studs are not lining up with the installation a header will be required to provide the necessary strength and stability for the track and door.



## TRACK & DOOR INSTALLATION

**A** To determine where the track should be installed, first measure the height of the door, then add 2-1/8" to the door length. **B** 1/2" will be for the clearance between the bottom edge of the door and the floor. **C** 1-5/8" will be from the top edge of the door to the center of the track.

**D** Using a level and a pencil, make a line above the doorway the same length as the track.



**E** Hold the track up to where the pencil line is visible through the holes in the track.

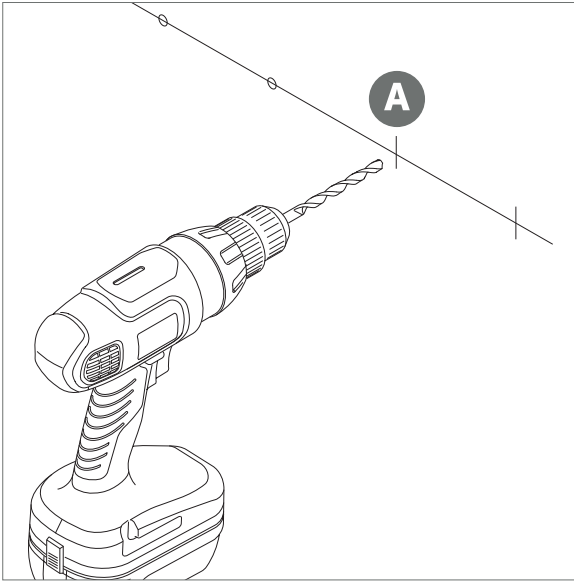
**SUGGESTION:** Use pieces of double stick tape on the back of the track to help hold the track in place while completing steps **D** and **E**.

**F** Mark an intersecting line in the center of each track hole.

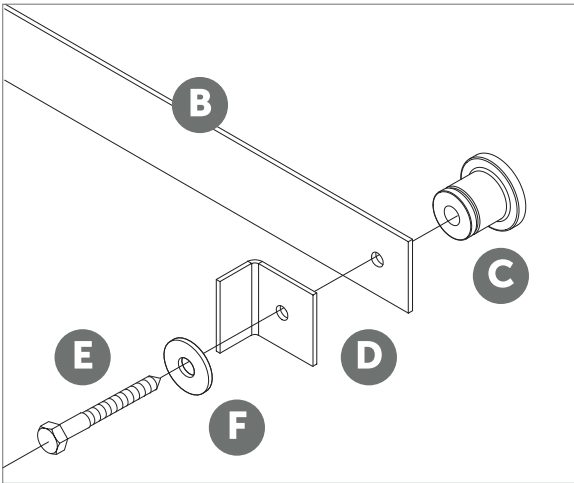
Take the track down, remove double stick tape (if used) and set the track aside.



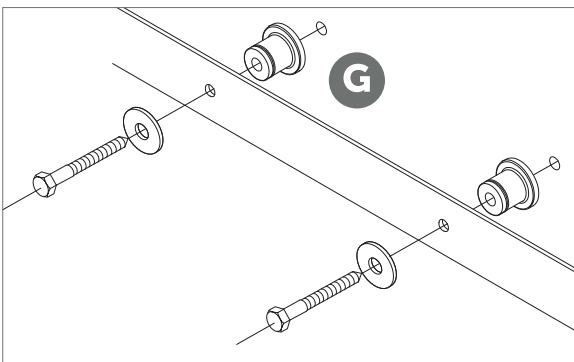
## PILLAR HANGER ASSEMBLY INSTRUCTIONS



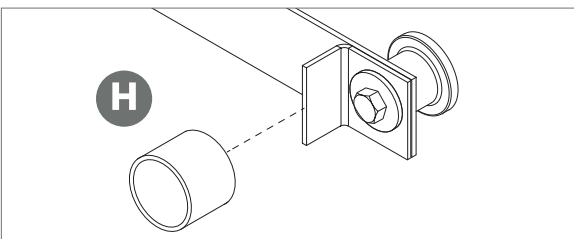
**A** Drill out the marked holes using a drill with a 1/4" drill bit.



**B** Attach one end of the track to the wall with **C** a spacer, **D** one hard stop, **E** one lag screw, and **F** one washer (provided) using a socket wrench with 9/16" socket. Do not tighten.



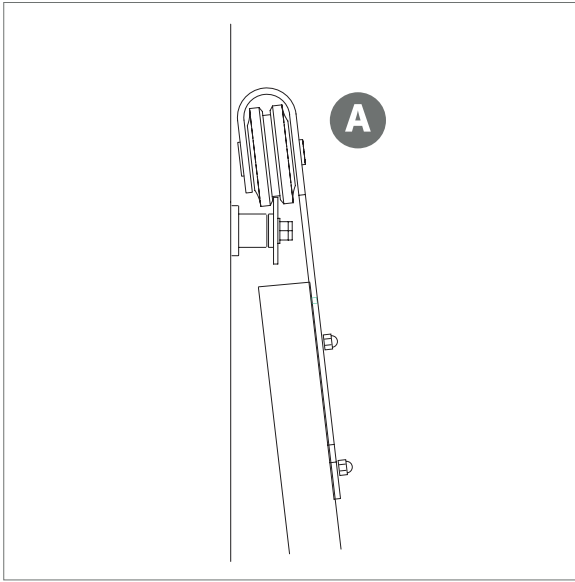
**G** Install remaining spacers with lag screws and washers (provided) using a 9/16" socket wrench. Tighten all lag screws.



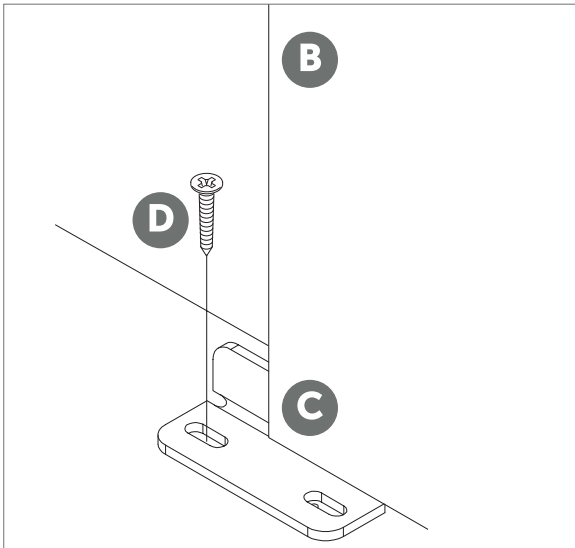
**H** Stretch rubber bumper (provided) over hard stop. Repeat for the hard stop on the other end of the track.



## PILLAR HANGER ASSEMBLY INSTRUCTIONS



**A** Hang the door.



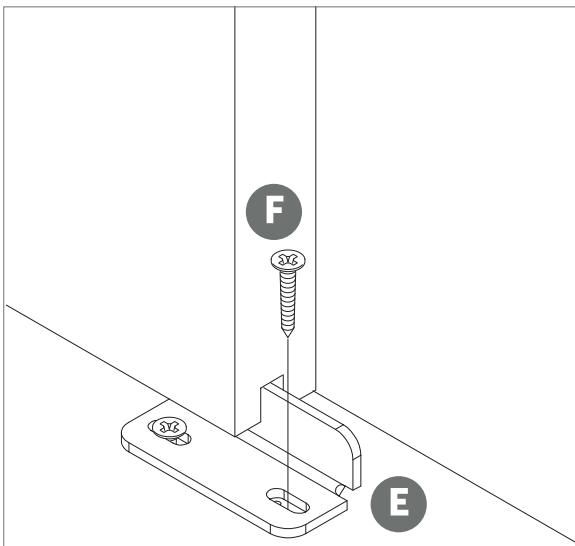
## DOOR GUIDE INSTALLATION

**B** With the door in the closed position, ensure the door is hanging straight using a bubble level.

**C** Position the Door Guide part way into the groove in the bottom of the door.

**SUGGESTION:** Use double stick tape on the bottom of the door guide to hold the guide in place.

**D** Install the Door Guide using a 1" phillips screw (provided) and a drill with a phillips bit.



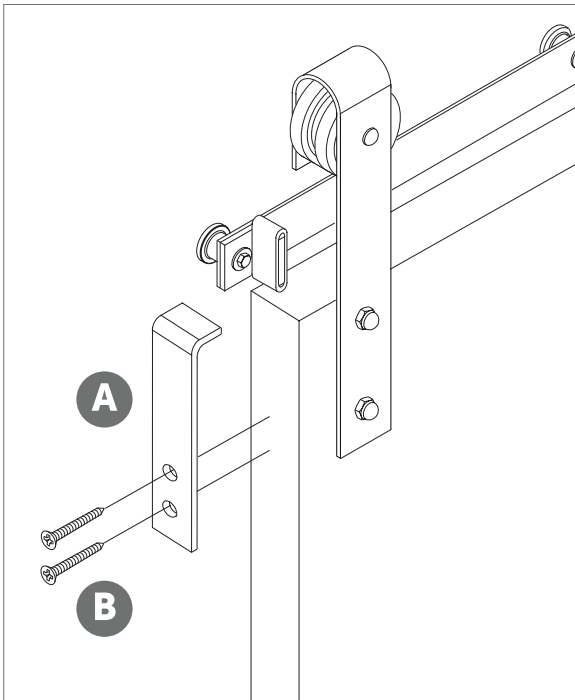
**E** Slide the door toward the open position until the other side of the Door Guide is exposed.

**F** Install the second 1" phillips screw (provided) using a drill with a phillips bit.





## PILLAR HANGER ASSEMBLY INSTRUCTIONS



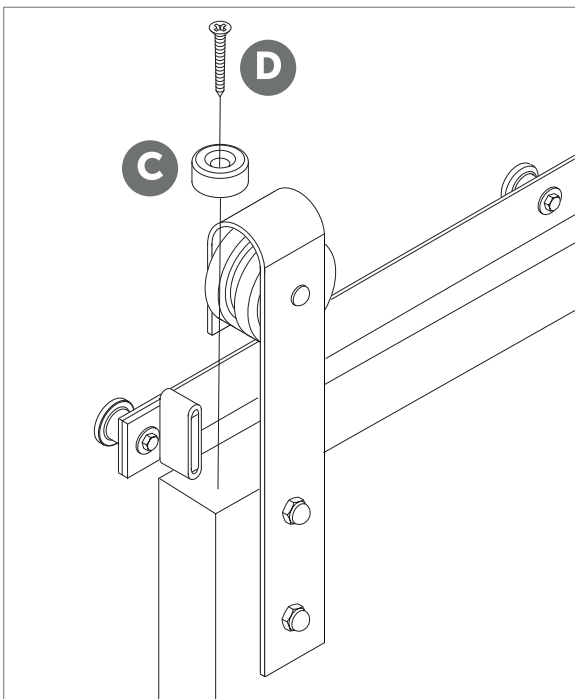
### ANTI-JUMP GUIDE INSTALLATION

**A** Place the Anti-Jump bracket on the door side, moving the bracket up until it is between 1/8" and 1/16" from the bottom edge of the rail. Mark the placement with a pencil.

**SUGGESTION:** Use double stick tape on the back of the anti-jump bracket to hold it in place on the door.

**B** Install the bracket to the door edge with 2 phillips screws (provided) using a drill with a phillips bit.

Repeat steps **A** and **B** for the opposite end of the door.



### ANTI-JUMP BLOCK INSTALLATION FOR BI-PARTING DOORS

**C** Place the Anti-Jump block on the top of the door. **D** Using a drill with a phillips bit, install the the block with the 1" phillips screw (provided).

**SUGGESTION:** Use double stick tape on the back of the anti-jump block to hold it in place on the door.

Repeat step **C** and **D** for the opposite end of the door.



# WE LOVE WHAT YOU'RE DOING WITH THE PLACE

CONGRATULATIONS ON YOUR DECISION TO BRING HOME  
AN AMERICAN MADE PRODUCT OF THE HIGHEST QUALITY. WE HOPE  
YOUR PILLAR HANGER BRINGS ART AND FUNCTION INTO YOUR LIFE.

1-800-891-8312  
support@rustica.com  
www.Rustica.com

DESIGNED AND CRAFTED ENTIRELY IN THE  
**U.S.A.**



DON'T BE A STRANGER.  
FOLLOW US ON SOCIAL MEDIA.

