



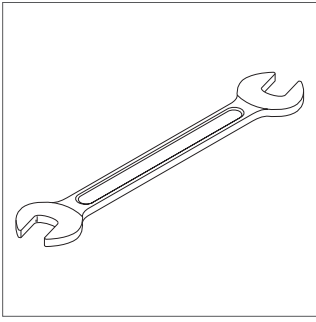
SILHOUETTE VICTORIAN TABLE

ASSEMBLY INSTRUCTIONS

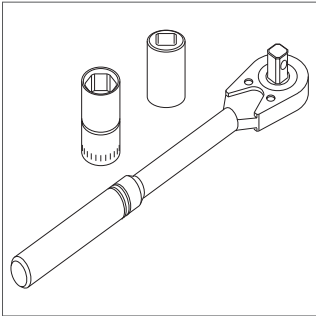


RUSTICA

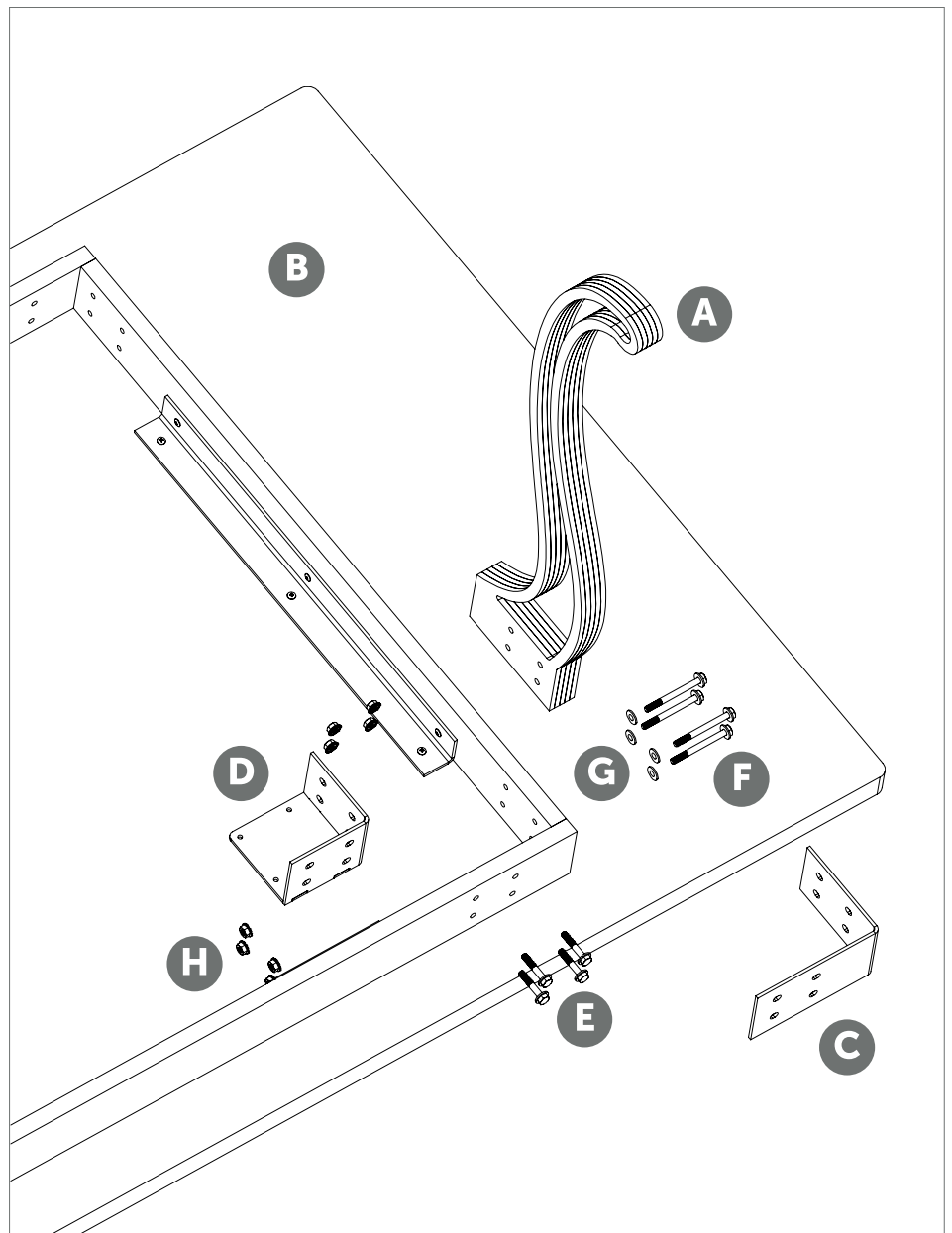
SILHOUETTE VICTORIAN TABLE RECOMMENDED TOOLS & PARTS



9/16" and 5/8"
Combination Wrench



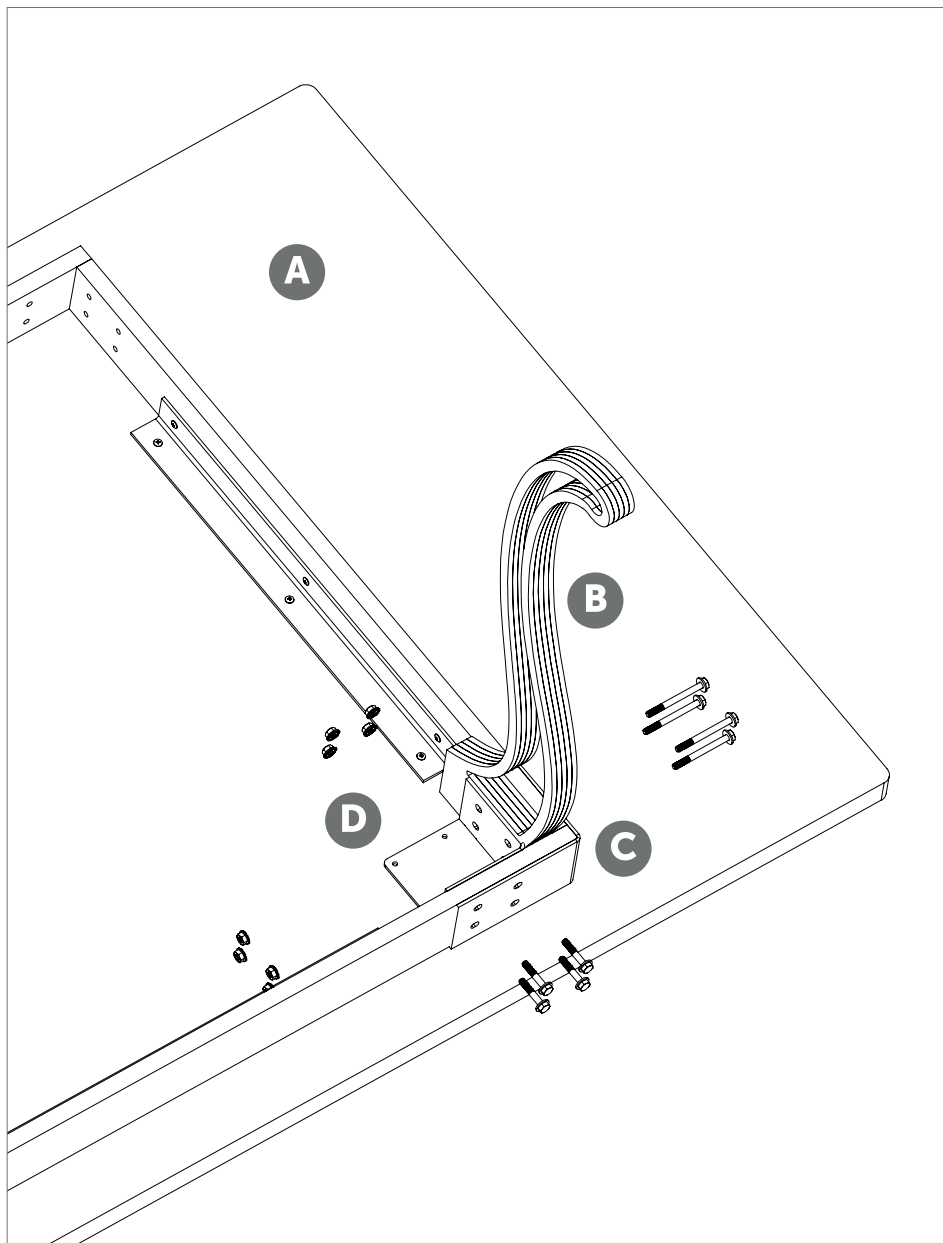
Socket Wrench with
9/16" and 5/8" Sockets



- A** 4) Silhouette Victorian Legs
 - B** 1) Table Top
 - C** 4) Outer Brackets
 - D** 4) Inner Brackets
 - E** 16) 1/4-20 x 1-1/2" Hex Bolts
 - F** 16) 1/4-20 x 2-3/4" Hex Bolts
 - G** 32) Washers
 - H** 32) 1/4-20 Lock Nuts
- 16) #8 x 3/4" Wood Screws
(not shown)



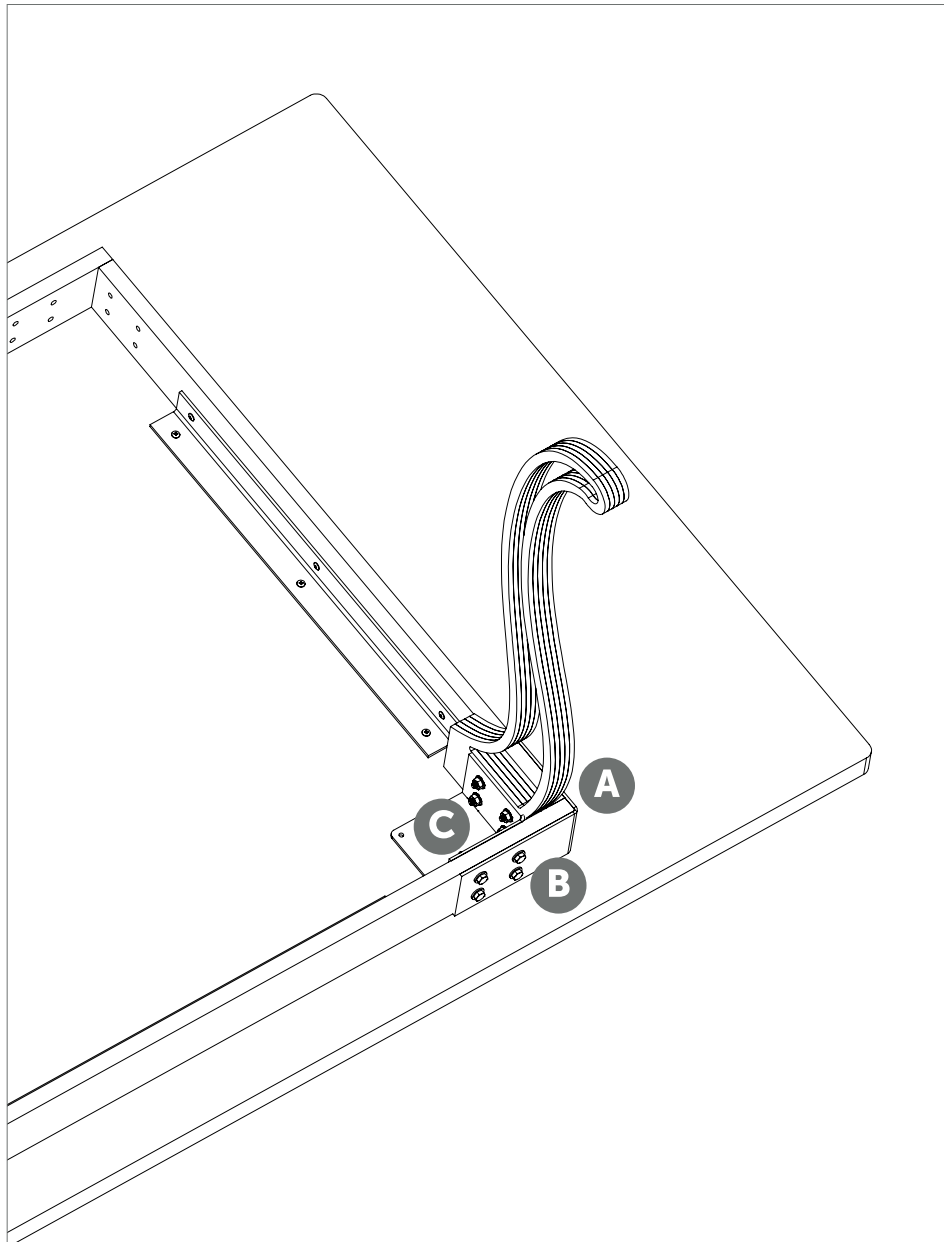
SILHOUETTE VICTORIAN TABLE STEP 1



- A** Turn the table upside down on a clean, soft surface.
- B** Place a leg in the corner, facing the short side of the table. The holes in the leg should align with the holes in the table skirt.
- C** Set the outer bracket around the corner of the skirt so the holes align. **D** Set the inner bracket in the corner where the leg touches the side wall skirt so the holes all align.



SILHOUETTE VICTORIAN TABLE STEP 2



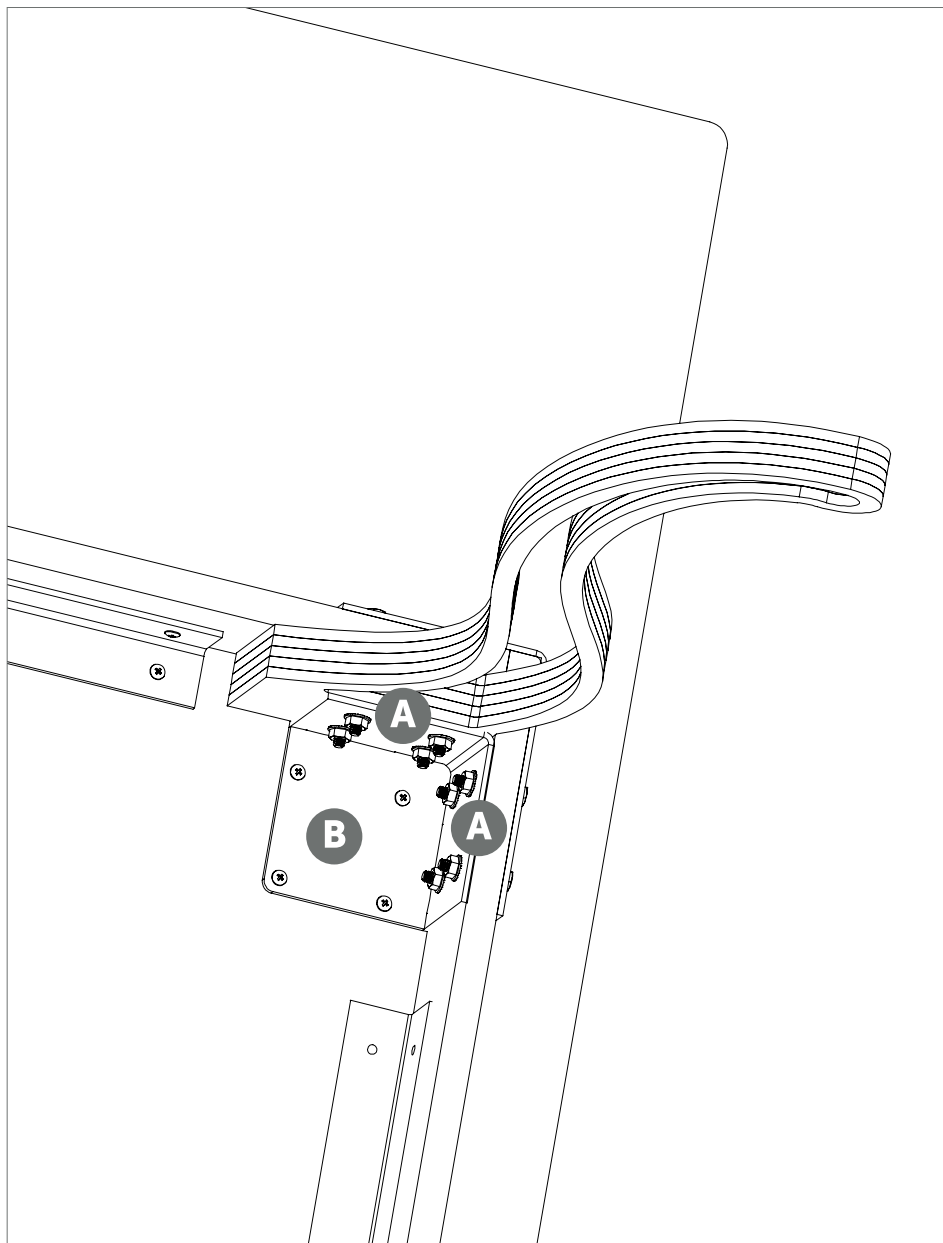
A Insert the 2-3/4" bolts through the other side of the outer bracket, the table leg and the inner bracket as shown.

B Insert the 1-1/2" bolts through the outer bracket, the side skirt and the inner bracket as shown.

C Twist the lock nuts onto the threaded ends of the bolts until all nuts are finger-tight.



SILHOUETTE VICTORIAN TABLE STEP 3



A Tighten the nuts to the bolts until they are snug.

B The final step is to connect the inner bracket to the bottom of the table with the wood screws.

After checking all the nuts and screws to ensure they're tight, turn the table back over and set it on its feet with the help of another person.

When moving the table from one spot to another, avoid dragging or pushing the table across the floor. This will help keep the legs from loosening over time and protect your floor.



WE LOVE WHAT YOU'RE DOING WITH THE PLACE

CONGRATULATIONS ON YOUR DECISION TO BRING HOME
AN AMERICAN MADE PRODUCT OF THE HIGHEST QUALITY.
WE HOPE YOUR SILHOUETTE VICTORIAN TABLE
BRINGS ART AND FUNCTION INTO YOUR LIFE.

1-800-891-8312
support@rustica.com
www.Rustica.com

DESIGNED AND CRAFTED ENTIRELY IN THE
U.S.A.



DON'T BE A STRANGER.
FOLLOW US ON SOCIAL MEDIA.

