

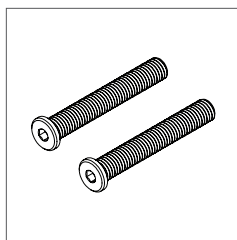


SURFACE MOUNTED FLUSH PULL

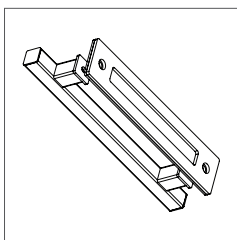
INSTALLATION INSTRUCTIONS



SURFACE MOUNTED FLUSH PULL Parts

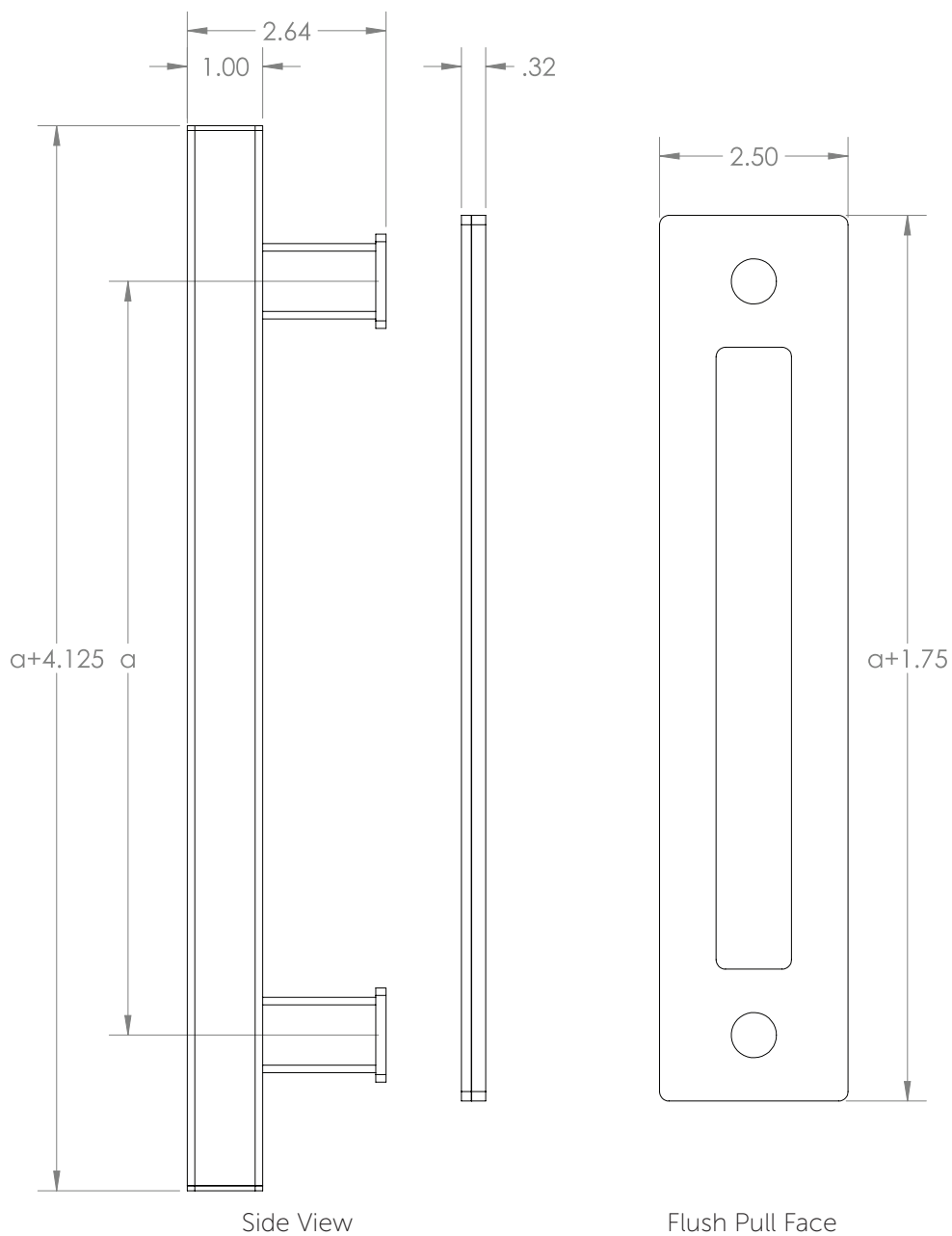


Bolts



Door Pull

SURFACE MOUNTED FLUSH PULL Specs



LENGTH	8	10	12	14	16	18	20	22	24	26	28	30
a	8	10	12	14	16	18	20	22	24	26	28	30

All measurements are shown in inches.



Surface Mounted Flush Pull Installation



- 1) Use the surface mounted flush pull to mark hole spacing on door, then drill pilot holes using a small drill bit. An 1/8" works well.



- 2) Using a 3/8" drill bit and using your pilot holes as a guide, drill through door making sure to keep the drill square with the door at all times.



- 3) Attach the two pieces of the pull with the provided bolts and a 3/16" Allen wrench making sure that the surface mounted flush pull is on the side closest to the wall.



WE LOVE WHAT YOU'RE DOING WITH THE PLACE

CONGRATULATIONS ON YOUR DECISION TO BRING HOME
AN AMERICAN MADE PRODUCT OF THE HIGHEST QUALITY. WE HOPE YOUR
SURFACE MOUNTED FLUSH PULL BRINGS ART AND FUNCTION INTO YOUR LIFE.

1-800-891-8312
support@rustica.com
www.Rustica.com

DESIGNED AND CRAFTED ENTIRELY IN THE
U.S.A.



DON'T BE A STRANGER.
FOLLOW US ON SOCIAL MEDIA.



support@rustica.com