

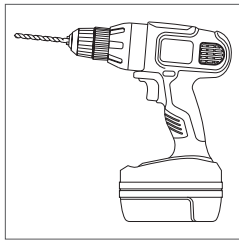


# TOP MOUNT LOW CLEARANCE

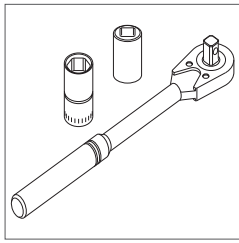
## ASSEMBLY INSTRUCTIONS



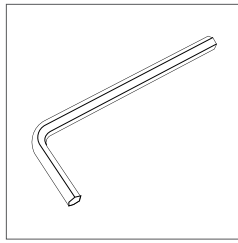
## TOP MOUNT LOW CLEARANCE SYSTEM RECOMMENDED TOOLS



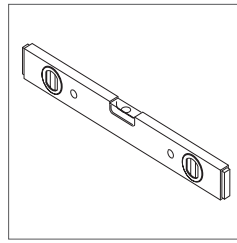
Drill with  
1/8", 1/4" and  
3/8" Bits, and  
Phillips Bit



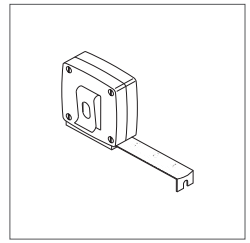
Socket Wrench  
with 9/16" Socket



7/32" Allen  
Wrench

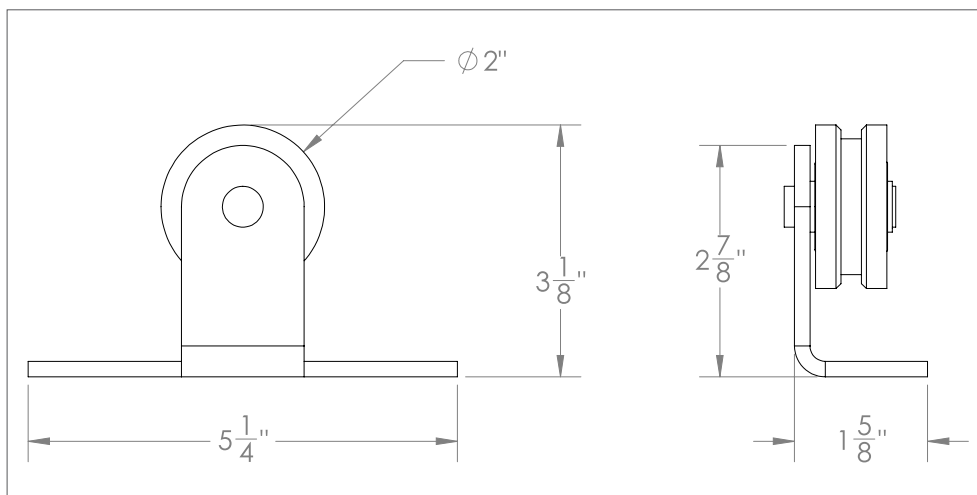


Level

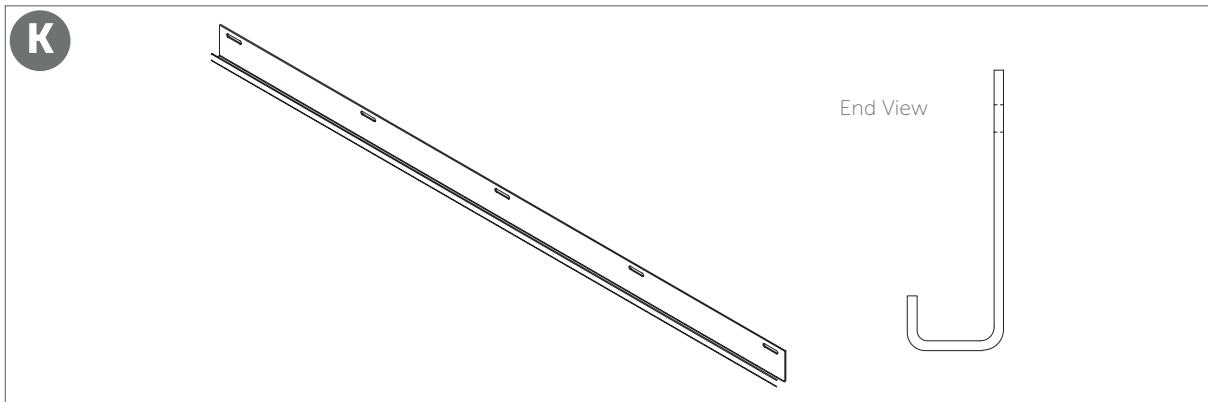
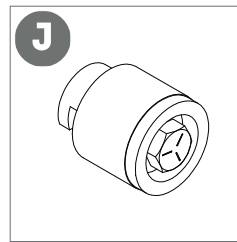
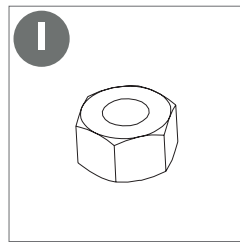
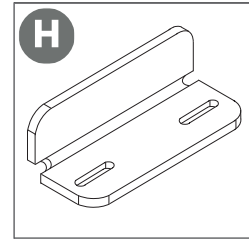
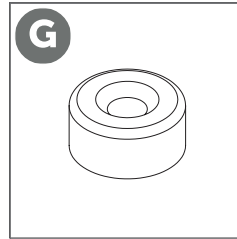
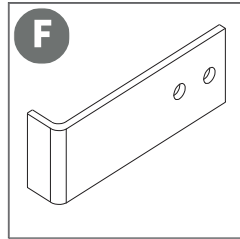
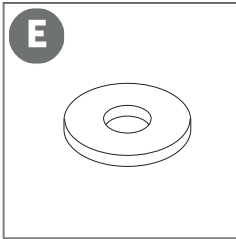
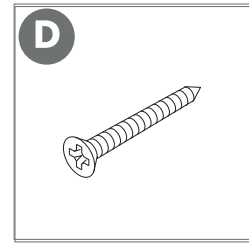
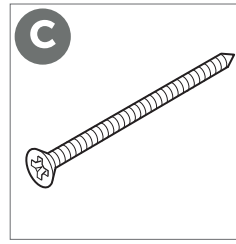
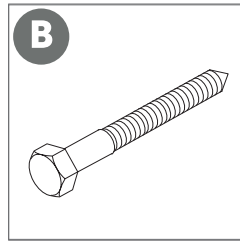
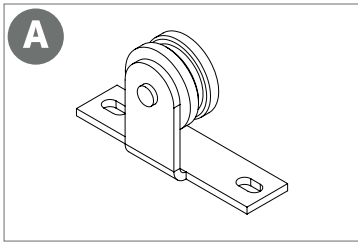


Tape Measure

## TOP MOUNT LOW CLEARANCE SYSTEM SPECIFICATIONS



## TOP MOUNT LOW CLEARANCE SYSTEM PARTS



**A** Hanger Assembly

**B** Lag Screw

**C** Fastener Screw

**D** Phillips Screw

**E** 1" Washer

**F** Anti-jump Bracket

**G** Anti-jump Block (For use on bi-parting door systems)

**H** Door Guide

**I** Hex Nut

**J** Round Adjustable Stop

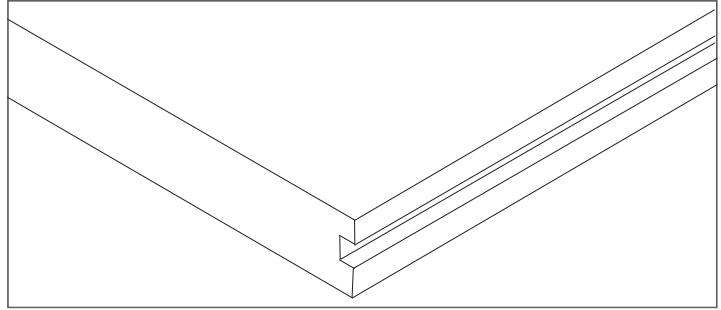
**K** Low Clearance Track

**DIT! (DO IT TOGETHER)**  
**WE RECOMMEND TWO**  
**PEOPLE FOR THIS BUILD**

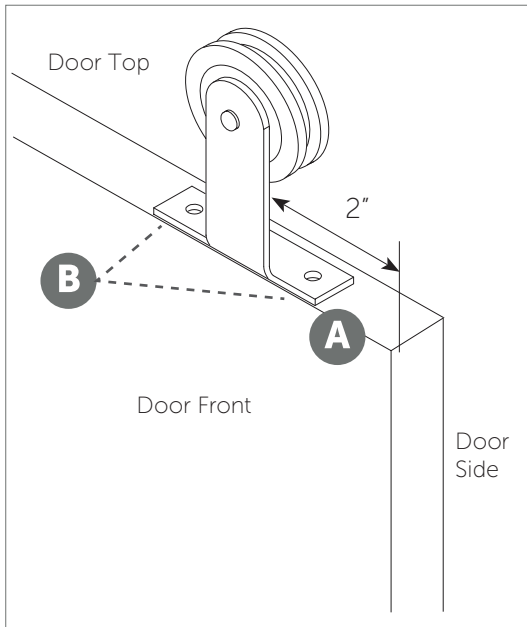


# TOP MOUNT LOW CLEARANCE SYSTEM ASSEMBLY INSTRUCTIONS

**NOTE:** Doors using Floor Mount Door Guides will have a groove on the bottom. Ensure this groove is on the opposite end of the Door Hanger Installation.



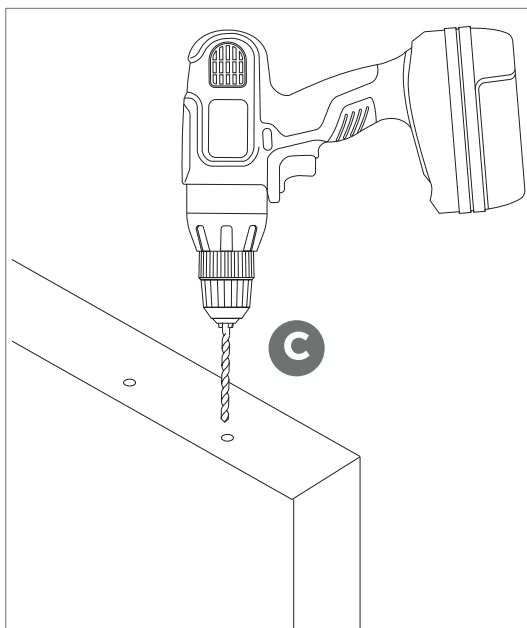
## INSTALLATION FOR SQUARE-EDGE DOORS



**A** Place the hanger on the top surface of the door, 2" from the edge of the door side and flush with the door front. Ensure the front of the hanger and the front of the door are facing the same direction.

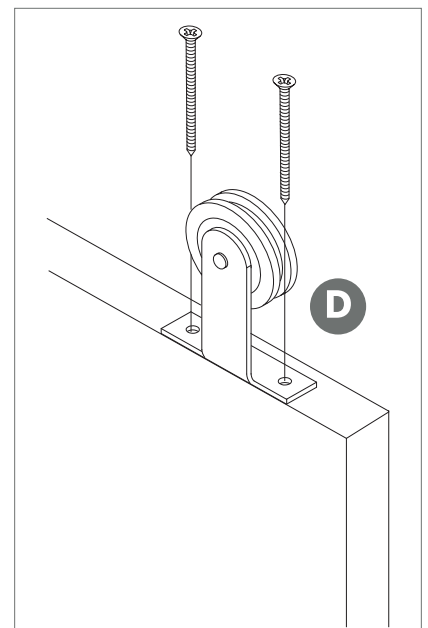
**NOTE:** If the door is 3 or more inches thick, mount the hanger in the center between the front and back of the door.

**B** Using a pencil, mark the screw hole placement on the door top. Repeat steps **A** and **B** for the opposite end of the door.



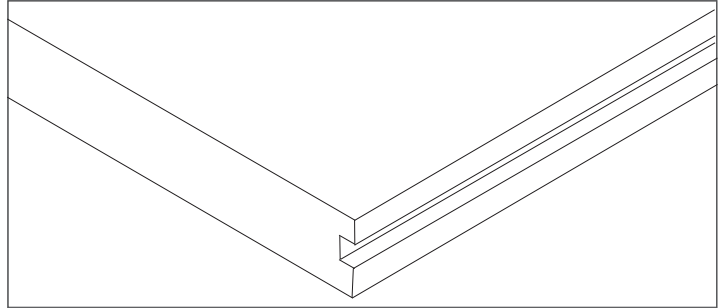
**C** Drill two pilot holes for each hanger using an 1/8" bit.

**D** Attach the hanger to the door using two fastener screws (provided). Repeat the process on the opposite end of the door.

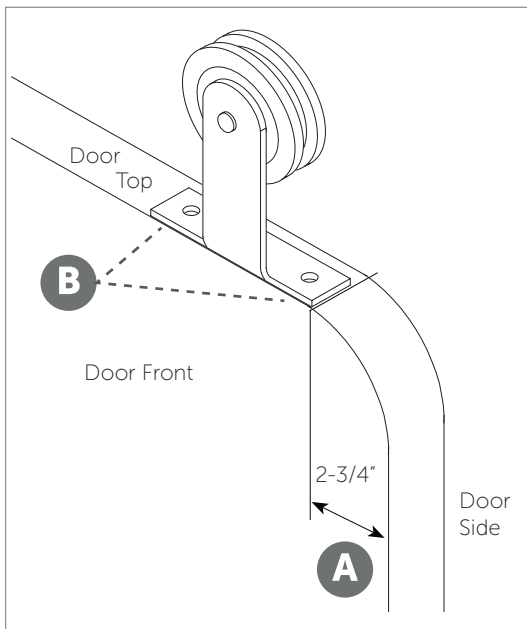


# TOP MOUNT LOW CLEARANCE SYSTEM ASSEMBLY INSTRUCTIONS

**NOTE:** Doors using Floor Mount Door Guides will have a groove on the bottom. Ensure this groove is on the opposite end of the Door Hanger Installation.



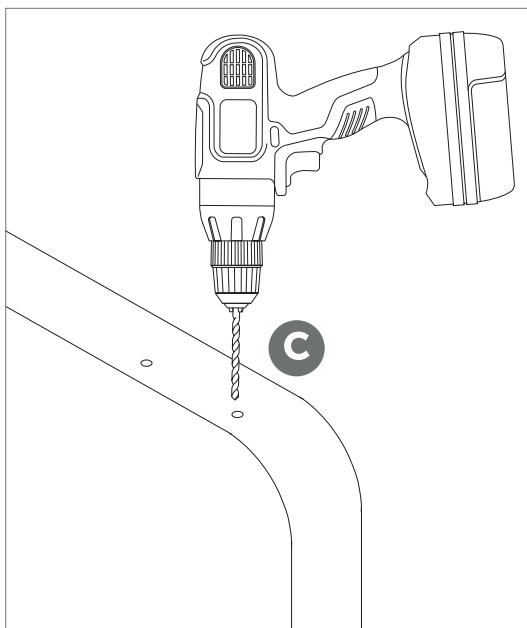
## INSTALLATION FOR CURVE-EDGE DOORS



**A** Place the hanger on the top surface of the door, 2-3/4" from the edge of the door side and flush with the door front. Ensure the front of the hanger and the front of the door are facing the same direction.

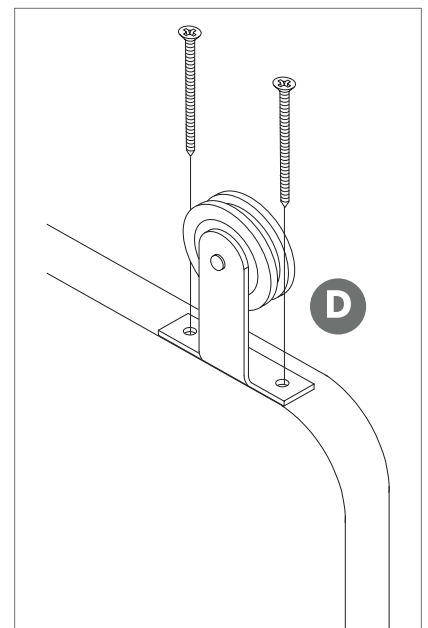
**NOTE:** If the door is 3 or more inches thick, mount the hanger in the center between the front and back of the door.

**B** Using a pencil, mark the screw hole placement on the door top. Repeat steps **A** and **B** for the opposite end of the door.



**C** Drill two pilot holes for each hanger using an 1/8" bit.

**D** Attach the hanger to the door using two fastener screws (provided). Repeat the process on the opposite end of the door.

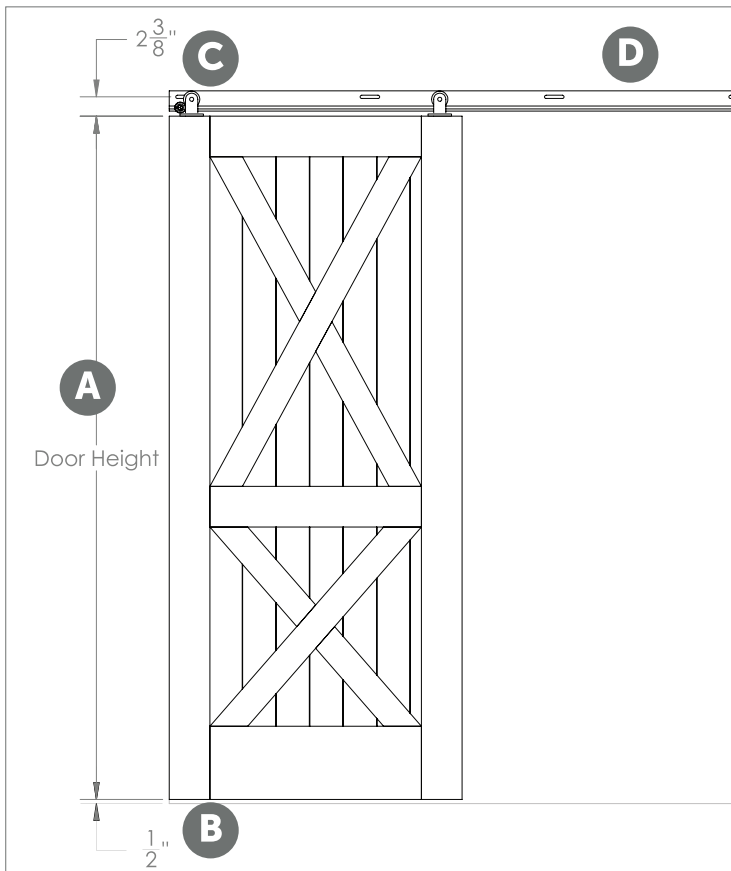


# TOP MOUNT LOW CLEARANCE SYSTEM ASSEMBLY INSTRUCTIONS

## FIRST THINGS FIRST

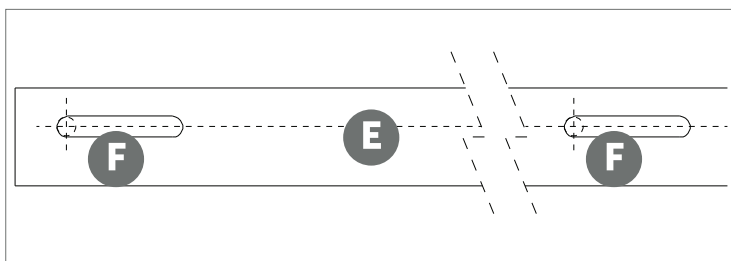
Check to see if the floor below the track is level. If the floor rises more than 1/2", the door may rub or not slide open completely. If the floor is not level, measure from the highest point of the floor surface to the recommended track placement and adjust track placement accordingly.

Ensure the track will be installed onto wall studs. If wall studs are not lining up with the installation a header will be required to provide the necessary strength and stability for the track and door.



## TRACK & DOOR INSTALLATION

- A** To determine where the track should be installed, first measure the height of the door, then add 2-7/8" to the door length. **B** 1/2" will be for the clearance between the bottom edge of the door and the floor. **C** 2-3/8" will be from the top edge of the door to the center of the hole.
- D** Using a level and a pencil, mark a line above the doorway the same length as the track.



- E** Hold the track up to where the pencil line is visible through the holes in the track.

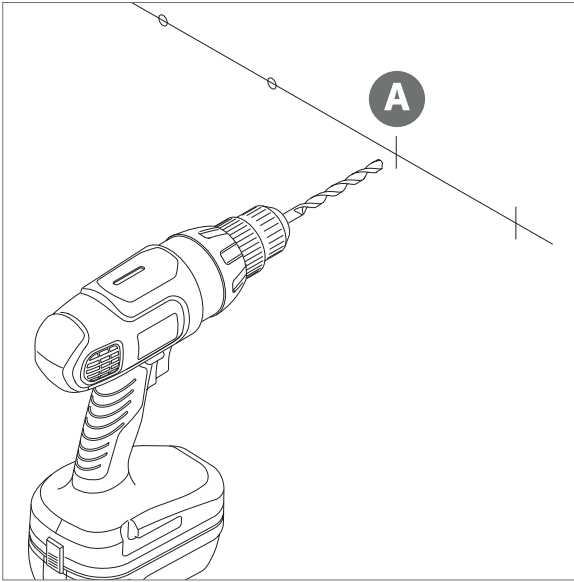
**SUGGESTION:** Use pieces of double stick tape on the back of the track to help hold the track in place while completing steps **D** and **E**.

- F** Mark an intersecting line inside each slotted hole wherever they work best for your wall (i.e. stud locations).

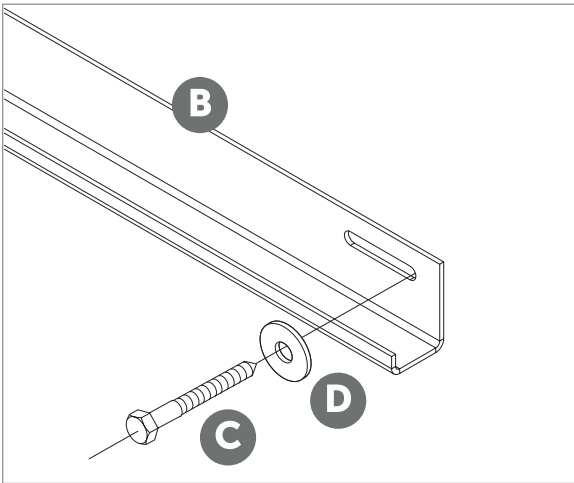
Take the track down, remove double stick tape (if used) and set the track aside.



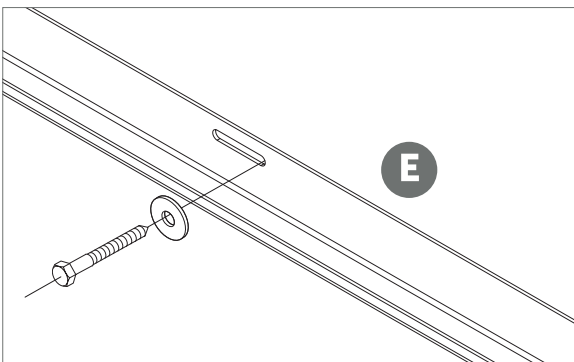
## TOP MOUNT LOW CLEARANCE SYSTEM ASSEMBLY INSTRUCTIONS



**A** Drill out the marked holes using a drill with a 1/4" drill bit.



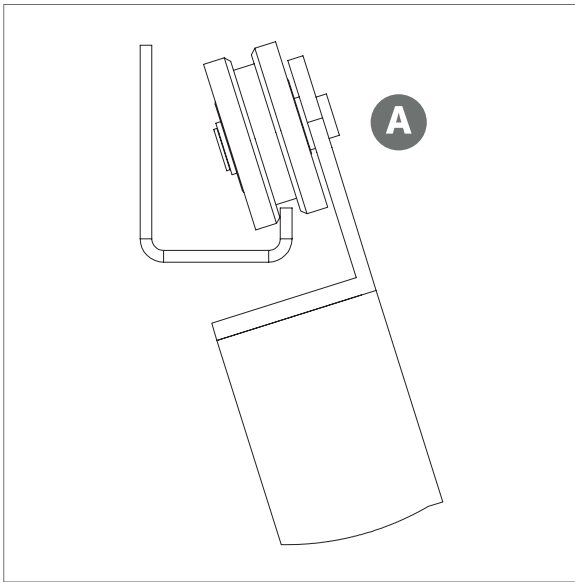
**B** Attach one end of the track to the wall with **C** one lag screw, **D** and one washer (provided) using a socket wrench with 9/16" socket. Do not tighten.



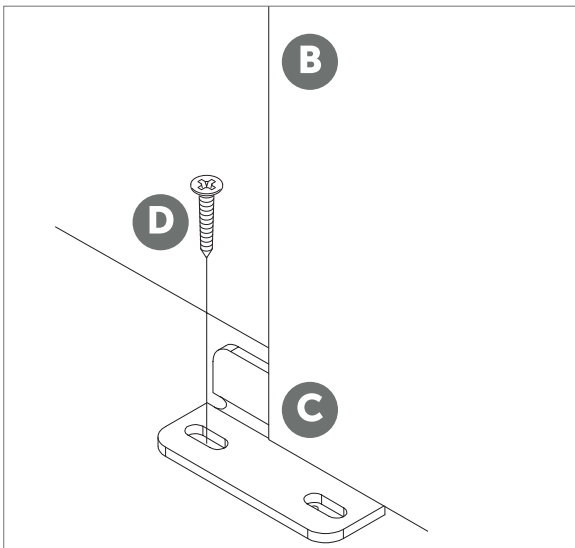
**E** Install remaining lag screws and washers (provided) using a 9/16" socket wrench. Tighten all lag screws.



# TOP MOUNT LOW CLEARANCE SYSTEM ASSEMBLY INSTRUCTIONS



**A** Hang the door.



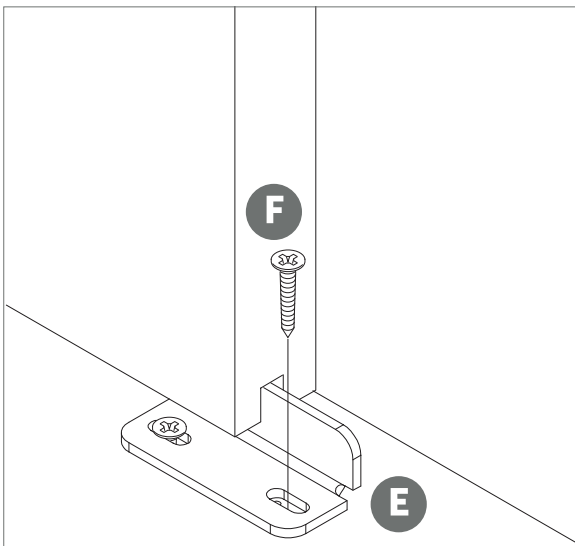
## DOOR GUIDE INSTALLATION

**B** With the door in the closed position, ensure the door is hanging straight using a bubble level.

**C** Position the Door Guide part way into the groove in the bottom of the door.

**SUGGESTION:** Use double stick tape on the bottom of the door guide to hold the guide in place.

**D** Install the Door Guide using a Phillips screw (provided) and a drill with a phillips bit.



**E** Slide the door toward the open position until the other side of the Door Guide is exposed.

**F** Install the second Phillips screw (provided) using a drill with a phillips bit.

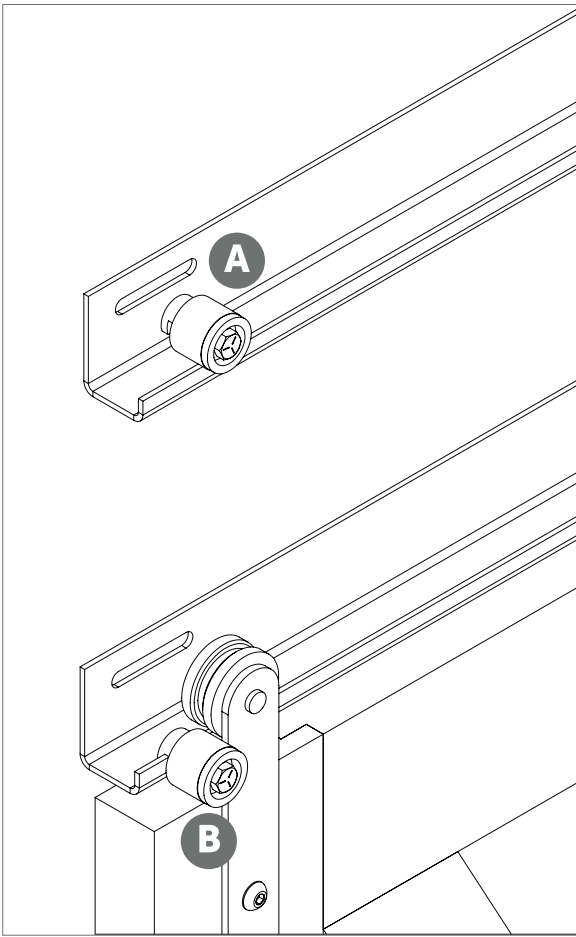




## TOP MOUNT LOW CLEARANCE SYSTEM ASSEMBLY INSTRUCTIONS

### ADJUSTABLE STOP INSTALLATION

- A** Place the adjustable stop on your track.
- B** Position along the length of your track to stop door at the desired location. Tighten bolt with a 9/16" wrench/socket.



# WE LOVE WHAT YOU'RE DOING WITH THE PLACE

CONGRATULATIONS ON YOUR DECISION TO BRING HOME  
AN AMERICAN MADE PRODUCT OF THE HIGHEST QUALITY.  
WE HOPE YOUR TOP MOUNT LOW CLEARANCE SYSTEM  
BRINGS ART AND FUNCTION INTO YOUR LIFE.

1-800-891-8312  
support@rustica.com  
www.Rustica.com

DESIGNED AND CRAFTED ENTIRELY IN THE  
**U.S.A.**



DON'T BE A STRANGER.  
FOLLOW US ON SOCIAL MEDIA.

