



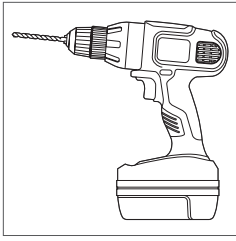
ROYAL HANGER

ASSEMBLY INSTRUCTIONS

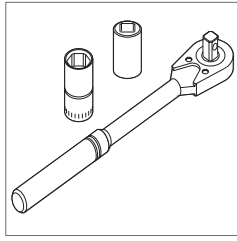


RUSTICA

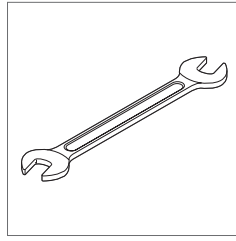
ROYAL HANGER Recommended Tools



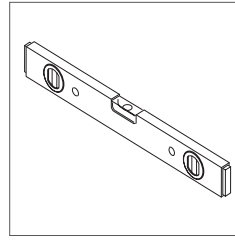
Drill with 1/8", 1/4", and 3/8" Drill Bits, 1-1/8" Forstner Bit or 1-1/8" Spade Bit, and Phillips Bit



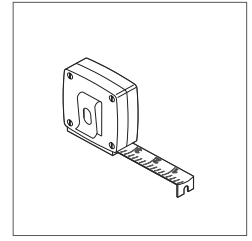
Socket Wrench with 9/16" and 5/8" Sockets



9/16" and 5/8" Combination Wrench

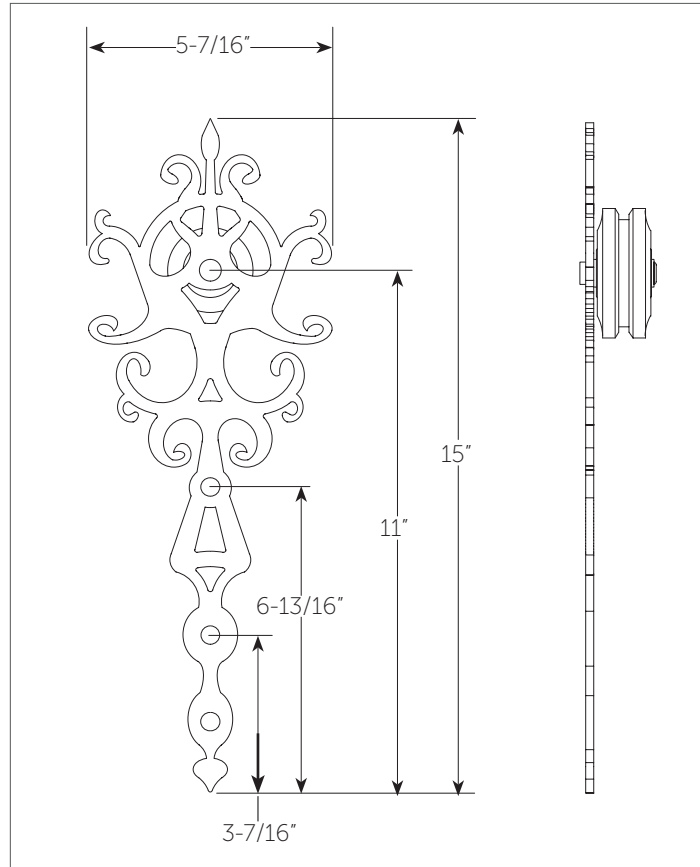


Level

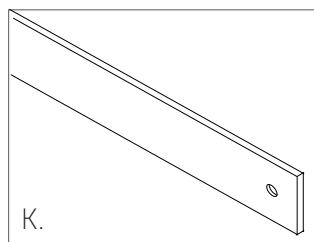
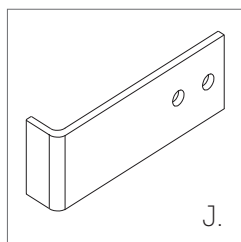
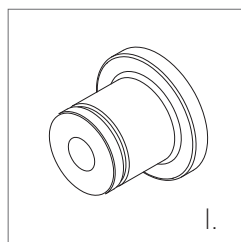
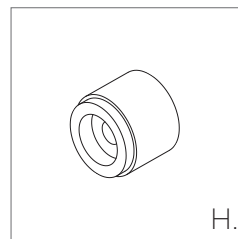
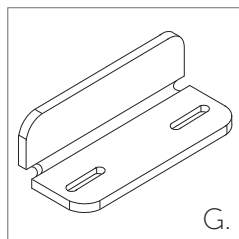
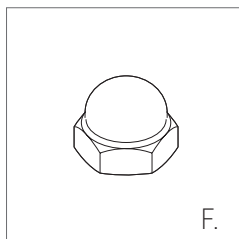
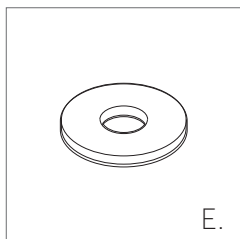
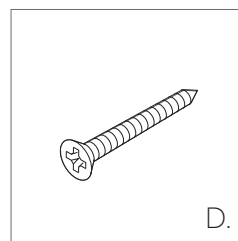
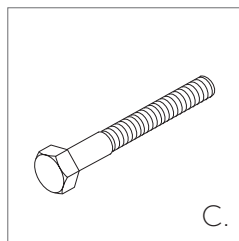
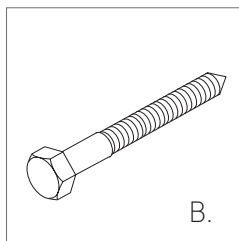
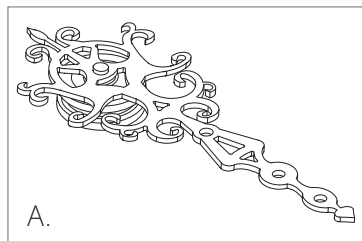


Tape Measure

ROYAL HANGER Specifications



ROYAL HANGER Parts



PARTS

- | | |
|------------------------|----------------------|
| A. Hanger Assembly | F. Acorn Nut |
| B. Lag Screw | G. Door Guide |
| C. Lag Bolt | H. Soft Stop |
| D. Phillips Head Screw | I. Spacer |
| E. 1" Washer | J. Anti-Jump Bracket |
| | K. Track |

Use teamwork. We recommend two people for this build.



ROYAL HANGER Assembly Instructions

NOTE:

Doors using Floor Mount Door Guides will have a groove on the bottom edge. Ensure this groove is on the bottom when hanging the door.

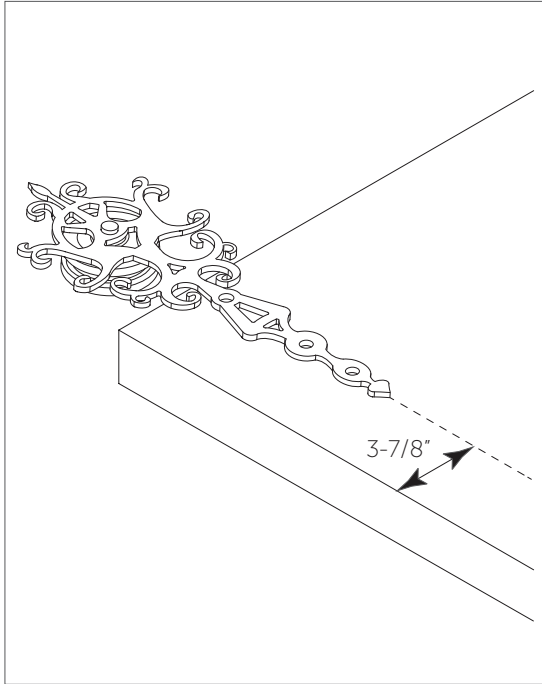
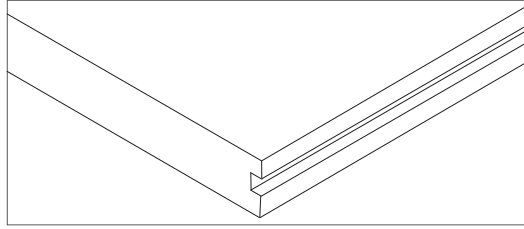


Figure 1

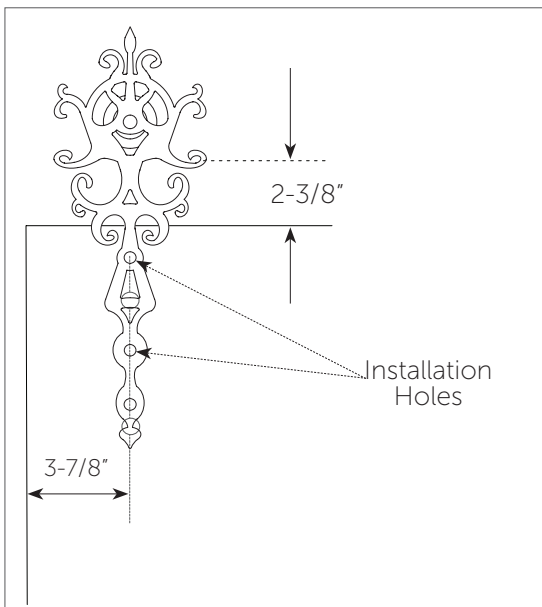


Figure 2

1. Lay the door with the front facing up on a flat, level surface.
2. Using a pencil and measuring tape, draw a line 3-7/8" from the edge of the door.
3. Place the hanger on the door. (Figure 1).
4. Adjust the placement of the hanger for a 2-3/8" gap between the top of the door and the bottom edge of the wheel. Ensure the widest portion of the hanger resting on the door is 2" from the edge of the door. (Figure 2).
5. Mark the center of each installation hole with a pencil. (Figure 2).
6. Repeat steps 2-4 for the opposite end of the door. Set the hangers aside.



ROYAL HANGER Assembly Instructions

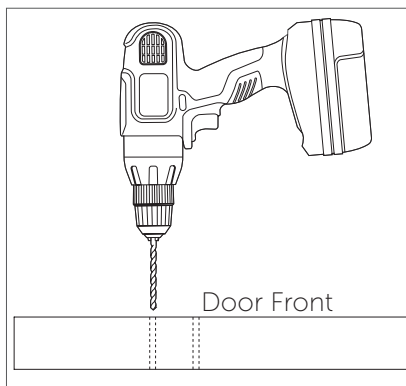


Figure 3

6. Drill two pilot holes all the way through the door for each hanger using a drill with an 1/8" drill bit. (Figure 3).

7. Turn the door over. Using a 1-1/8" Forstner bit*, drill a 7/16" deep hole into each pilot hole. (Figure 4).

*A 1-1/8" Spade bit may be used in place of a Forstner bit.

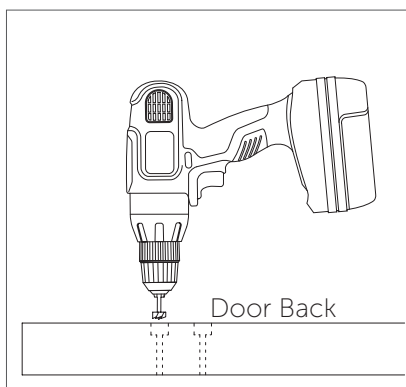


Figure 4

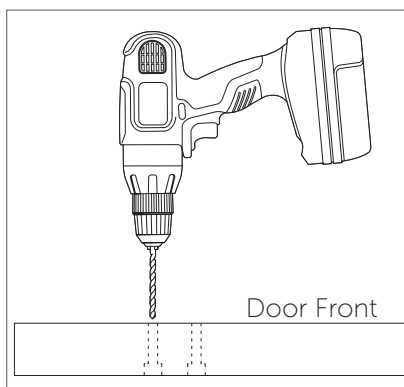


Figure 5

8. Turn the door over, returning it to the face-up position. Drill all the way through the pilot holes using a drill with a 3/8" drill bit (Figure 5).

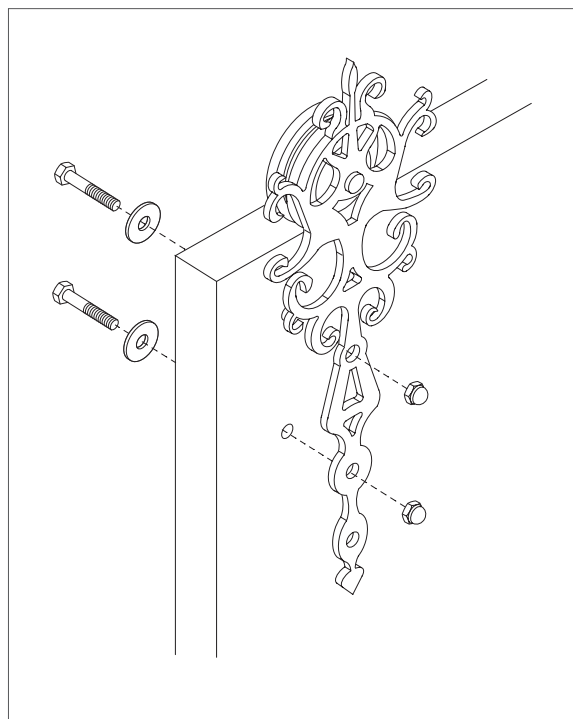


Figure 6

9. Install the hangers to the front of the door using lag bolts, washers, and acorn nuts (provided). (Figure 6).



FIRST THINGS FIRST

Check to see if the floor below the track area is level. If the floor rises more than 1/2" the door may rub or not slide open completely. If the floor is not level, measure from the highest point of the floor surface to the recommended track placement and adjust track placement accordingly.

Ensure the track will be installed onto wall studs. If wall studs are not lining up with the installation a header will be required to provide the necessary strength and stability for the track and door.

TRACK & DOOR INSTALLATION

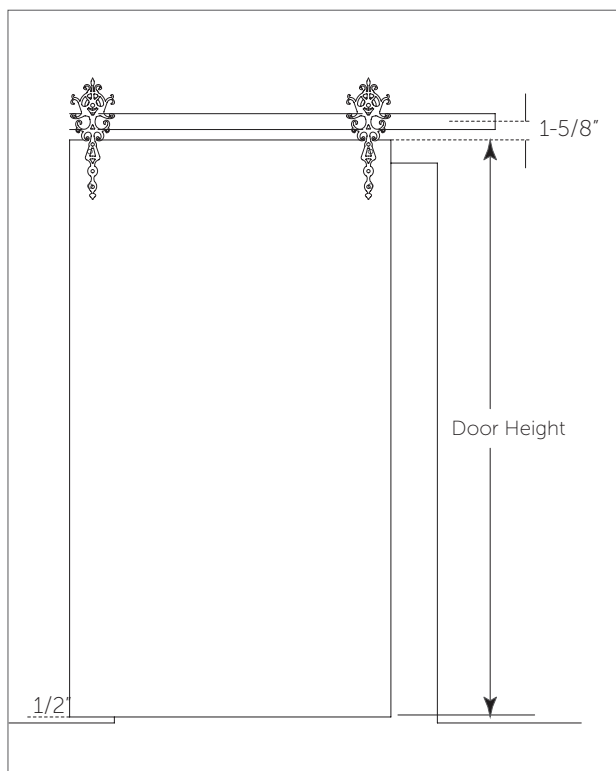


Figure 1

1. To determine where the track should be installed, first measure the height of the door, then add 2-1/8" to the door length. 1/2" will be for the clearance between the bottom edge of the door and the floor. 1-5/8" will be from the top edge of the door to the center of the track. (Figure 1).
2. Using a level and a pencil, make a line above the doorway the same length as the track.
3. Hold the track up to where the pencil line is visible through the holes in the track. (Figure 2).

SUGGESTION:

Use pieces of double stick tape on the back of the track to help hold the track in place while completing steps 2 and 3.

4. Mark an intersecting line in the center of each track hole. (Figure 2).
5. Take the track down, remove double stick tape (if used) and set the track aside.

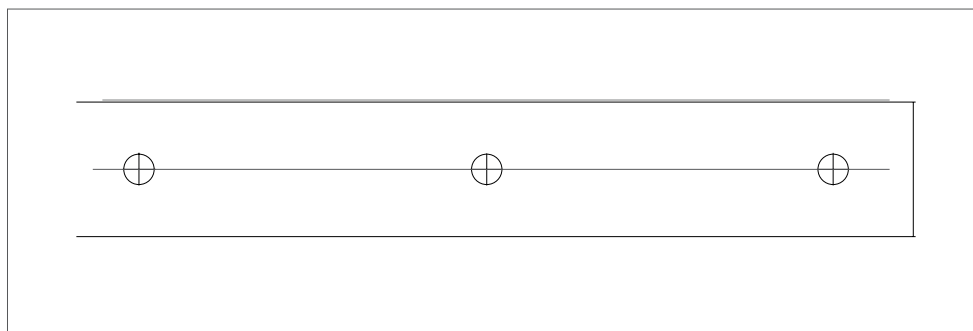


Figure 2



ROYAL HANGER Track & Door Installation Instructions

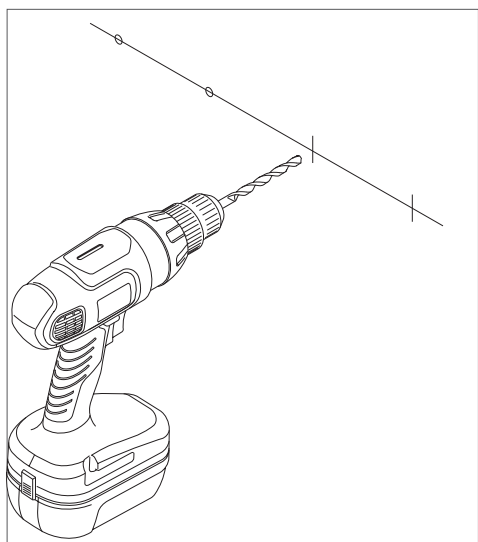


Figure 3

6. Drill out the marked holes using a drill with a 1/4" drill bit. (Figure 3).
7. Attach one end of the track to the wall with one soft stop, one lag screw, and one washer (provided) using a socket wrench with 9/16" socket. (Figure 4). Do not tighten.
8. Repeat step 7 for the other end of the track.
9. Install remaining spacers with lag screws and washers (provided) using a 9/16" socket wrench. (Figure 5). Tighten all lag screws.

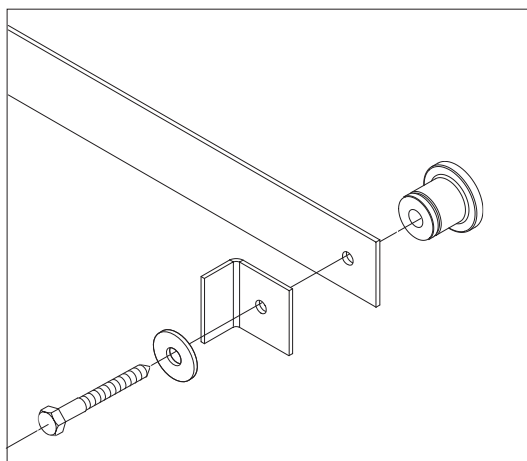


Figure 4

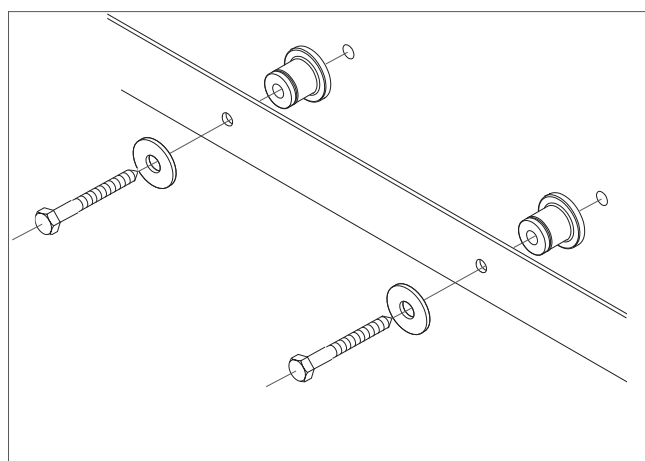


Figure 5



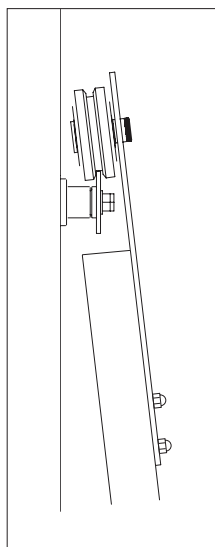


Figure 6

10. Hang the door. (Figure 6).

DOOR GUIDE INSTALLATION

11. With the door in the closed position, ensure the door is hanging straight using a bubble level.
12. Position the Door Guide part way into the groove in the bottom of the door. (Figure 7).

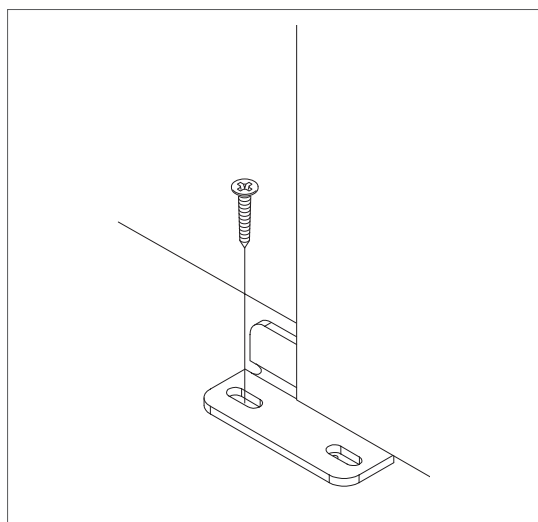


Figure 7

SUGGESTION:

Use double stick tape on the bottom of the door guide to hold the guide in place.

13. Install the door guide using a 1" phillips screw (provided) and a drill with a phillips bit.
14. Slide the door toward the open position until the other side of the door guide is exposed.
15. Install the second 1" phillips screw (provided) using a drill with a phillips bit. (Figure 8).

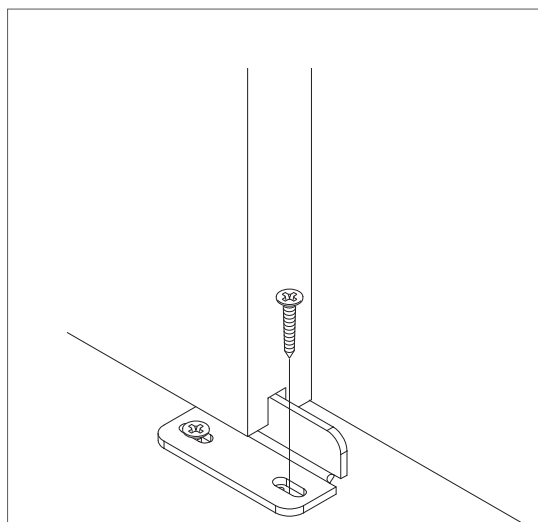


Figure 8



ANTI-JUMP GUIDE INSTALLATION

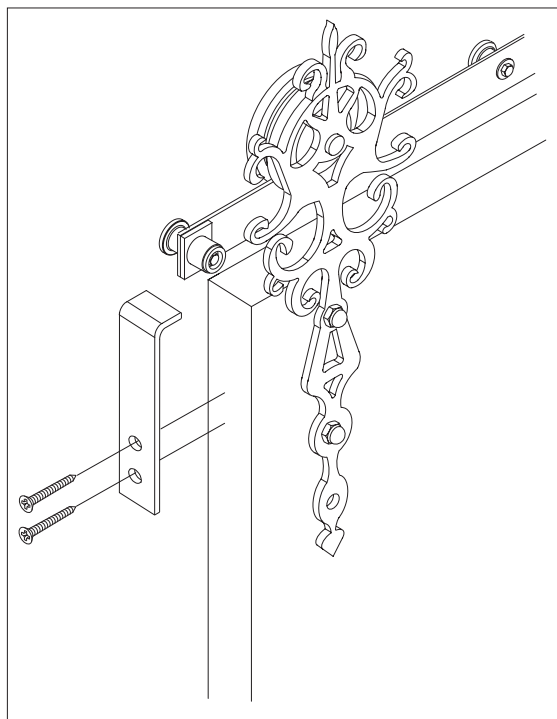


Figure 9

16. Place the anti-jump bracket on the door side, moving the bracket up until it is between $\frac{1}{8}$ " and $\frac{1}{16}$ " from the bottom edge of the rail. Mark the placement with a pencil.

SUGGESTION:

Use double stick tape on the back of the anti-jump bracket to hold it in place on the door.

17. Install the bracket to the door edge with 2 phillips screws (provided) using a drill with a phillips bit. (Figure 9).
18. Repeat steps 16 and 17 for the opposite end of the door.



WE LOVE WHAT YOU'RE DOING WITH THE PLACE

CONGRATULATIONS ON YOUR DECISION TO BRING HOME
AN AMERICAN MADE PRODUCT OF THE HIGHEST QUALITY. WE HOPE
YOUR ROYAL HANGER BRINGS ART AND FUNCTION INTO YOUR LIFE.

1-800-891-8312
support@rustica.com
www.Rustica.com

DESIGNED AND CRAFTED ENTIRELY IN THE
U.S.A.



DON'T BE A STRANGER.
FOLLOW US ON SOCIAL MEDIA.

