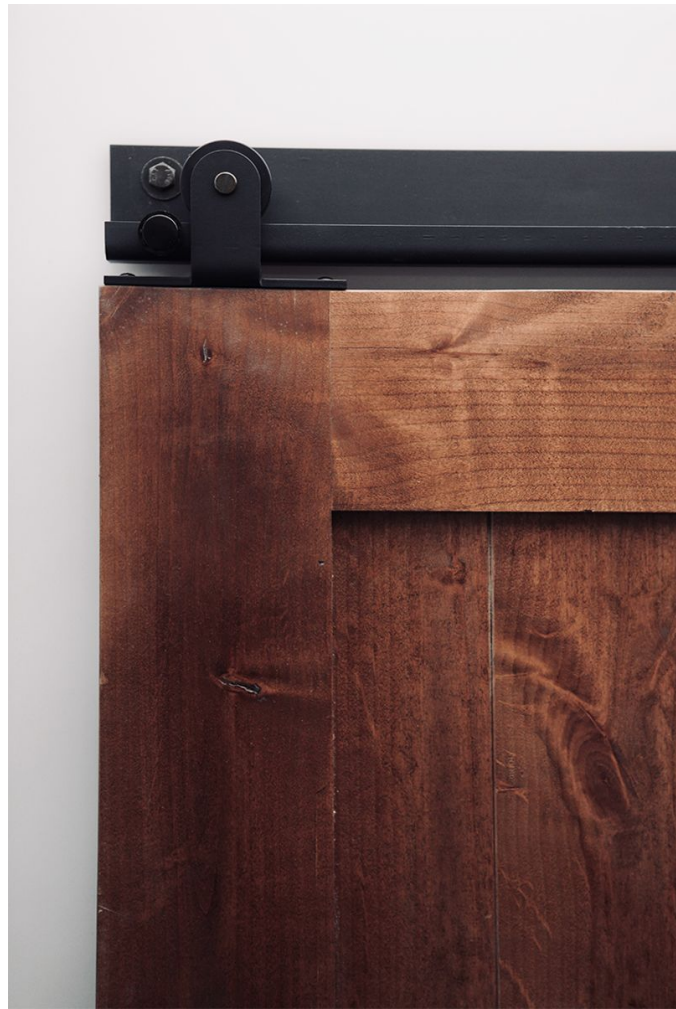


RUSTICA

INSTALLATION
INSTRUCTIONS

TOP MOUNT
LOW
CLEARANCE
SYSTEM

FACE MOUNT
HANGERS



CONGRATULATIONS ON YOUR DECISION TO BRING HOME
AN AMERICAN MADE PRODUCT OF THE HIGHEST QUALITY

1-800-891-8312
support@rustica.com
www.Rustica.com

DESIGNED AND CRAFTED ENTIRELY IN THE

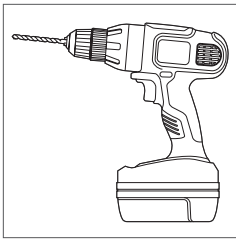
U.S.A.



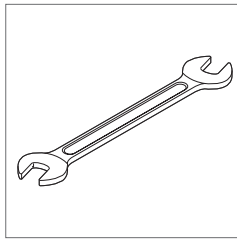
DON'T BE A STRANGER
FOLLOW US ON SOCIAL MEDIA



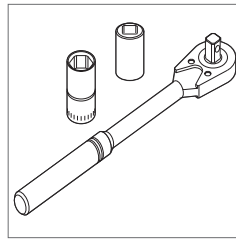
HANGER Parts and Recommended Tools



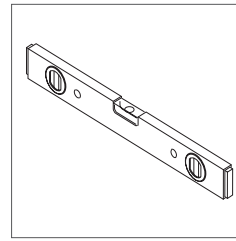
Drill with, 1/4" Drill Bit and Phillips Bit



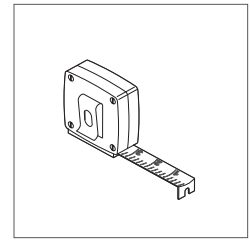
9/16" and 5/8" Combination Wrench



Socket Wrench with 9/16" and 5/8" Sockets



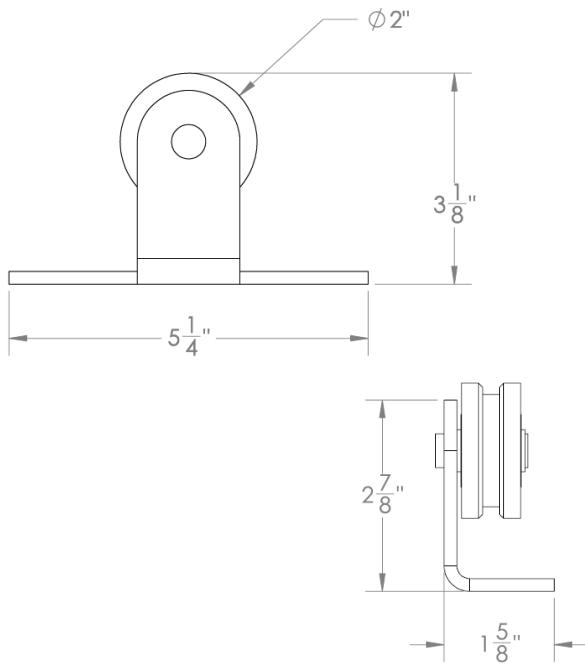
Level



Tape Measure

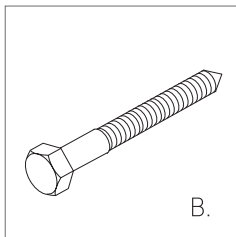
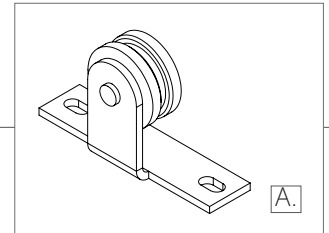
NOTE:

The following instructions are for **LOW CLEARANCE** systems only. Do not attempt to use on flat, tube, bypass, or ceiling mount track systems.

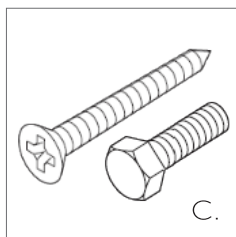


PARTS

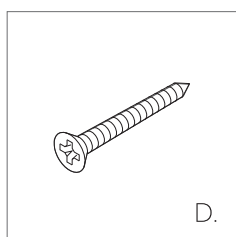
- A. Hanger Assembly (typically 2)
- B. Lag Screws (typically the same amount as the number of holes in the track)
- C. Hanger Fastener Screw for Wood Doors or Bolts for Metal Doors (2 per hanger)
- D. Phillips Screws (2 per guide & 2 per Anti-Jump Bracket or 1 per Anti-Jump Block)
- E. 1" Washer (1 per track hole and 2 per Hex Bolt kit)
- F. Anti-Jump Bracket (2) or
- G. Anti-Jump Blocks (4, only for biparting doors).
- H. Door Guide
- I. Adjustable Stop
- J. Track



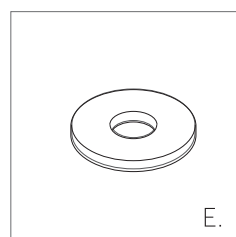
B.



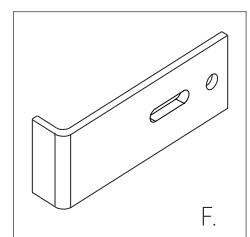
C.



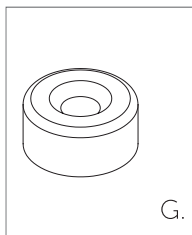
D.



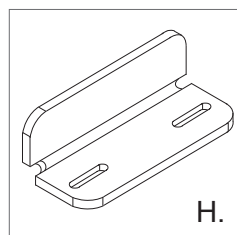
E.



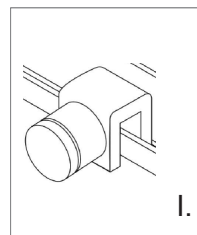
F.



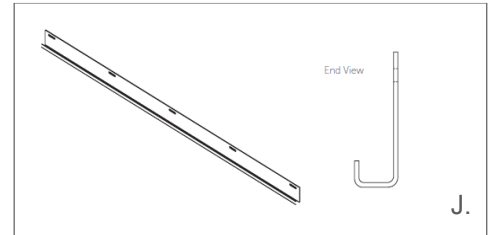
G.



H.



I.



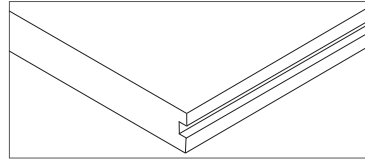
J.



HANGER Assembly Instructions

NOTE:

Doors using a Floor Mount Door Guide will have a groove on the bottom. Ensure this groove is on the opposite end of the door hanger installation



HANGER INSTALLATION FOR SQUARE-EDGE DOOR

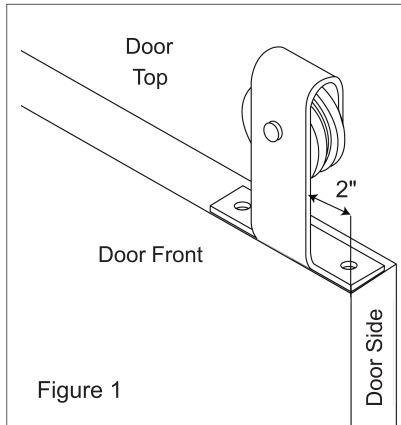


Figure 1

Actual Hanger Style Will Vary

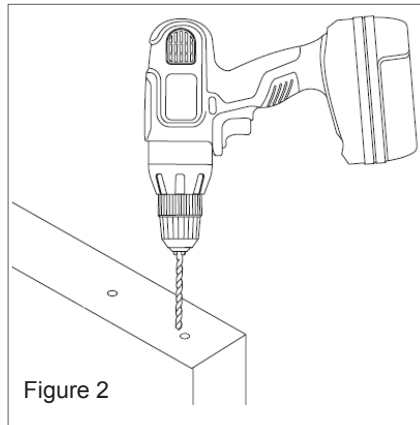


Figure 2

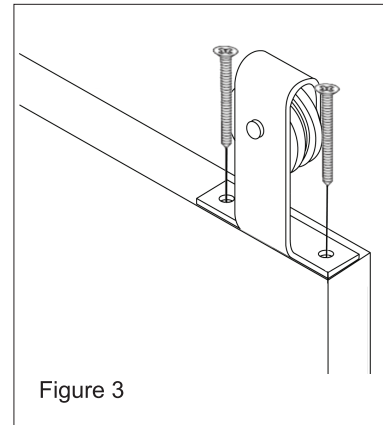


Figure 3

Actual Hanger Style Will Vary

For Wood Doors

1. Place the hanger on the top edge surface of the door, with the vertical front of the hanger 2" from the edge of the door side and flush with the door front. Ensure the front of the hanger and the front of the door are facing the same direction (Figure 1).
2. Mark the center of each installation hole with a pencil.
3. Repeat steps 2-3 for the opposite end of the door and set the hangers aside.
4. Drill two pilot holes for each hanger using an 1/8" bit (Figure 2).
5. Attach the hanger to the door using two hanger fastener screws (provided). Repeat the process on the opposite end of the door (Figure 3).

For Metal Doors

1. Using the 1" bolts provided attach the hanger to the door in the prepared riv-nuts. Repeat the process of the opposite end of the door.

NOTE:

- If the door is 3 or more inches thick, mount the hanger in the center between the front and back of the door.
- If the door has a curved corner set the hanger flat on the top (Figure 4).

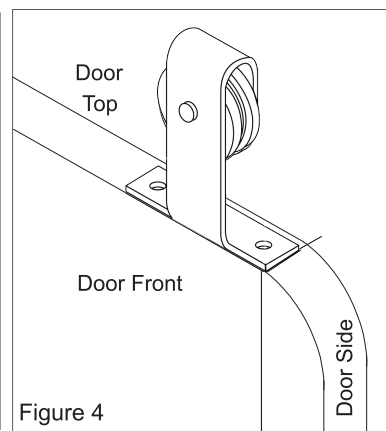


Figure 4

Actual Hanger Style Will Vary

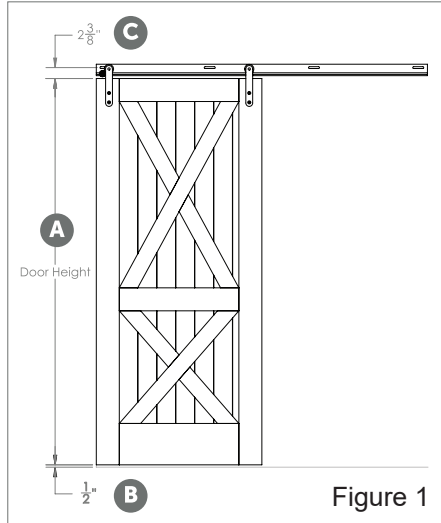


FLAT TRACK Assembly Instructions

Use teamwork. We recommend two people for this build.

FIRST THINGS FIRST

Check to see if the floor below the track area is level. If the floor is not level and rises more than 1/2" the door may rub or not slide properly. If the floor is not level, measure from the highest point of the floor surface to the recommended track placement and adjust track placement accordingly. Ensure the track will be installed into wall studs, wood backing in the wall or a header board that is installed into wall studs.



TRACK INSTALLATION

1. To determine where the track should be installed (Figure 1), first measure the height of the door (A), then add 2-7/8" to the door length. 1/2" will be for the clearance between the bottom edge of the door and the floor (B). 2-3/8" will be from the top edge of the door to the center of the hole (C)
2. Using a level and a pencil, mark a line above the doorway the same length as the track.
3. Hold the track up to where the pencil line is visible through the holes in the track.
4. SUGGESTION: Use pieces of double stick tape on the back of the track to help hold the track in place while completing steps and .
5. Mark an intersecting line inside each slotted hole wherever they work best for your wall considering stud locations (Figure 2).
6. Take the track down, remove double stick tape (if used) and set the track aside.
7. Drill out the marked holes using a drill with a 1/4" drill bit (Figure 3).
8. Attach one end of the track to the wall with one lag screw, and one washer (provided) using a socket wrench with 9/16" socket. Do not tighten (Figure 4)
9. Install remaining lag screws and washers (provided) using a 9/16" socket wrench. Tighten all lag screws.
10. Carefully, and at a slight angle, life the door slightly over the track and then down onto it (Figure 5).
11. Slip the Adjustable Door Stop over the track and tighten (Figure 6).

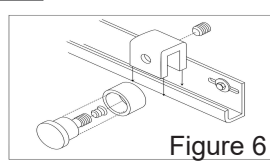
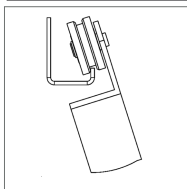
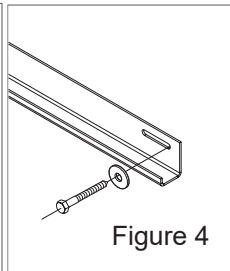
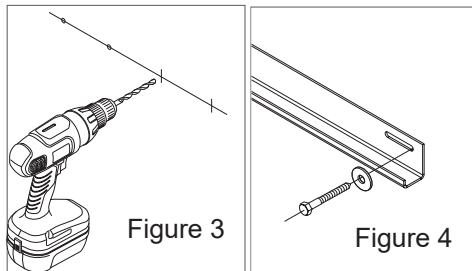
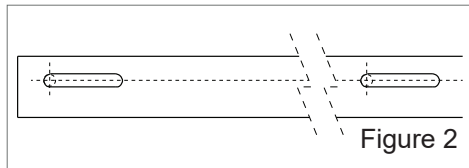


Figure 5

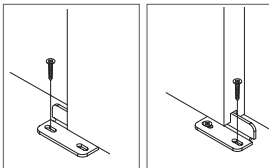


Figure 7

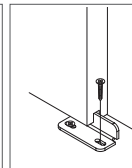


Figure 8

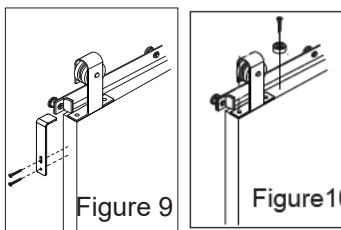


Figure 9

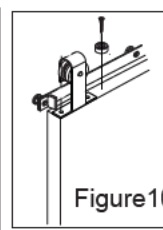


Figure 10

DOOR GUIDE INSTALLATION

12. With the door in the closed position, ensure the door is hanging straight using a bubble level.
13. Position the Door Guide part way into the groove in the bottom of the door (Figure 7).
14. Install the Door Guide using a 1" Phillips screw (provided) and a drill with a Phillips bit.
15. Slide the door toward the open position until the other side of the Door Guide is exposed.
16. Install the second 1" Phillips screw (provided) using a drill with a Phillips bit (Figure 8).

ANTI-JUMP GUIDE INSTALLATION

1. Place the Anti-Jump bracket on the door side, moving the bracket up until it is between 1/8" and 1/16" from the bottom edge of the rail. Mark the placement with a pencil. *
2. Install the bracket to the door edge with 2 Phillips screws(provided) using a drill with a Phillips bit (Figure 9).
3. Repeat steps 1 and 2 for the opposite end of the door.
OR
4. Place the Anti-Jump block on the top of the door (Figure 10). Using a drill with a Phillips bit, install the block with the 1" Phillips screw (provided).
5. Repeat step 4 for the opposite end of the door.

