

RUSTICA

INSTALLATION INSTRUCTIONS

J-TRACK SYSTEM

FACE & TOP MOUNT HANGERS



CONGRATULATIONS ON YOUR DECISION TO BRING HOME
AN AMERICAN MADE PRODUCT OF THE HIGHEST QUALITY

1-800-891-8312
support@rustica.com
www.Rustica.com

DESIGNED AND CRAFTED ENTIRELY IN THE

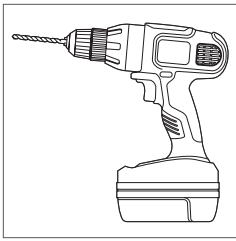
U.S.A.



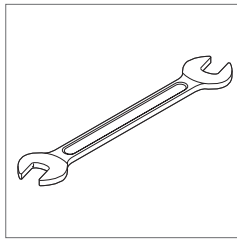
DON'T BE A STRANGER
FOLLOW US ON SOCIAL MEDIA



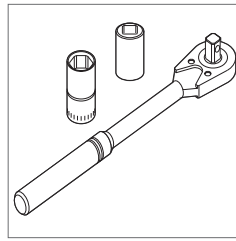
HANGER Parts and Recommended Tools



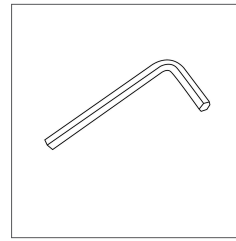
Drill with 1/8", 1/4", and 3/8"
Drill Bits, 1-1/8" Forstner Bit or
1-1/8" Spade Bit and Phillips Bit



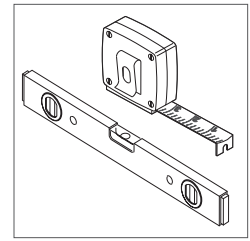
9/16" and 5/8"
Combination Wrench



Socket Wrench with
9/16" and 5/8" Sockets



7/32" Allen Wrench



Tape Measure & Level

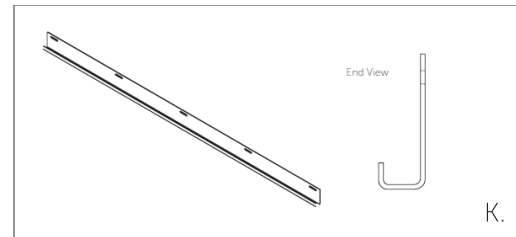
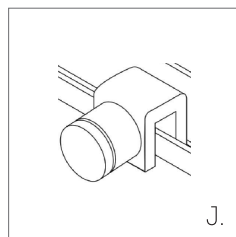
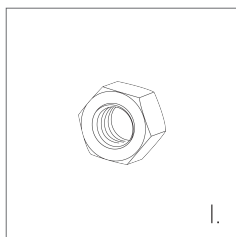
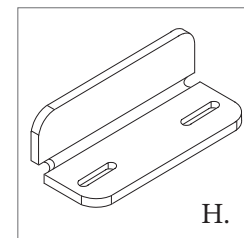
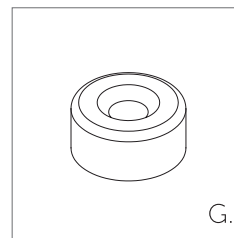
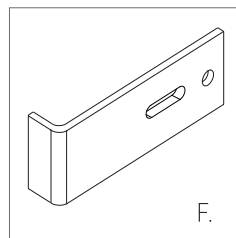
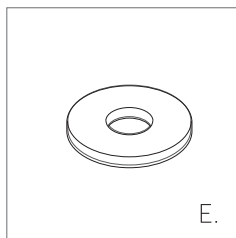
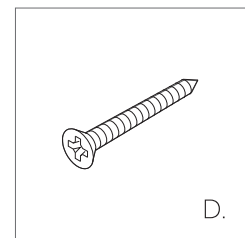
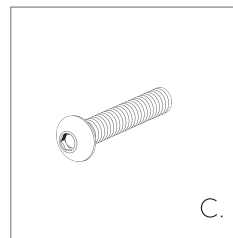
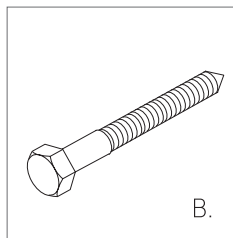
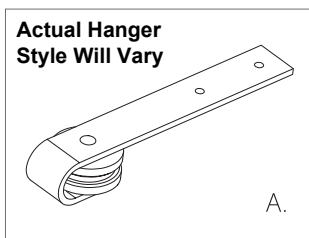
IMPORTANT:

The following instructions are for J-TRACK systems with only.
Do not attempt to use on flat, tube, bypass or ceiling mount track systems.

See page
5 for top
mount
hangers

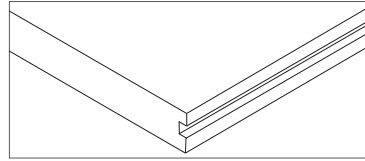
PARTS

- A. Hanger Assembly (typically 2)
- B. Lag Screws (typically the same amount as the number of holes in the track)
- C. Allen Wrench Button Bolts (2 per hanger)
- D. Phillips Screws (2 per guide & 2 per Anti-Jump Bracket or 1 per Anti-Jump Block)
- E. 1" Washer (1 per track hole and 2 per Hex Bolt kit)
- F. Anti-Jump Bracket (2) or
- G. Anti-Jump Blocks (4, only for bi parting and metal doors)
- H. DoorGuide(1)
- I. Hex Nuts (2 per hanger)
- J. Adjustable Stops (2)
- K. Track



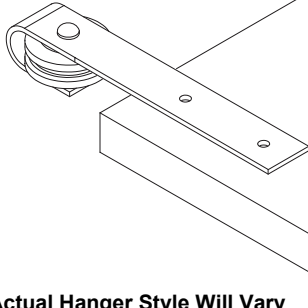
HANGER Assembly Instructions

IMPORTANT:
Doors using a Floor Mount Door Guide will have a groove on the bottom. Ensure this groove is on the opposite end of the door hanger installation



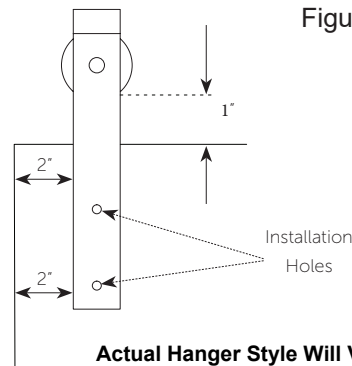
FACE MOUNT HANGER INSTALLATION

Figure 1



Actual Hanger Style Will Vary

Figure 2



Actual Hanger Style Will Vary

NOTE:
Hanger position, as indicated, is standard. If needed, you can install the hangers in a different position and use the adjustable stops to modify where the door will stop on the track.

1. Lay the door with the front facing up on a flat level surface.
 2. Place the hanger on the door (Figure 1).
 3. Adjust the placement of the hanger for a 1" gap between the top of the door and the bottom of the wheel. Ensure the side of the hanger at the top of the door is resting 2" from the edge of the door (Figure 2).
 4. Mark the center of each installation hole with a pencil (Figure 2).
 5. Repeat steps 2-4 for the opposite end of the door and set the hangers aside.
 6. Drill two pilot holes all the way through the door for each hanger using a drill with an 1/8" drill bit (Figure 3).
 7. Turn the door over and using a 1-1/8" Forstner bit*, drill a 3/8" deep hole into each pilot hole (Figure 4).
 8. Turn the door over, returning it to the face-up position. Drill all the way through the pilot holes using a drill with a 3/8" drill bit (Figure 5).
 9. Install the hangers to the front of the door using the button head bolts, washers and nuts provided (Figure 6).
Note: If you system shipped with acorn style nuts the bolt inserts from the back with the acorn on the front.
- * A 1-1/8" spade bit may be used in place of a Forstner bit.

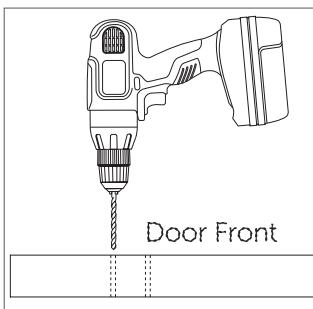


Figure 3

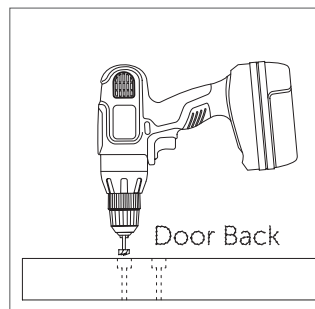


Figure 4

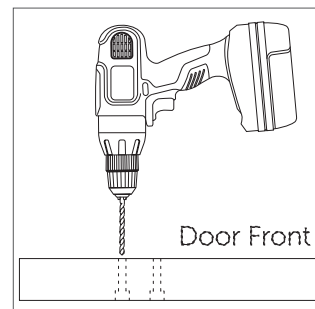


Figure 5

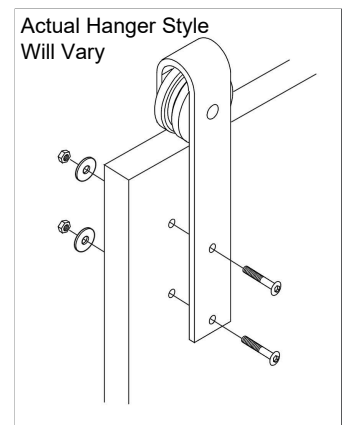


Figure 6



FLAT TRACK Assembly Instructions

Use teamwork. We recommend two people for this build.

FIRST THINGS FIRST

Check to see if the floor below the track area is level. If the floor is not level and rises more than 1/2" the door may rub or not slide properly. If the floor is not level, measure from the highest point of the floor surface to the recommended track placement and adjust track placement accordingly. Ensure the track will be installed into wall studs, wood backing in the wall or a header board that is installed into wall studs.

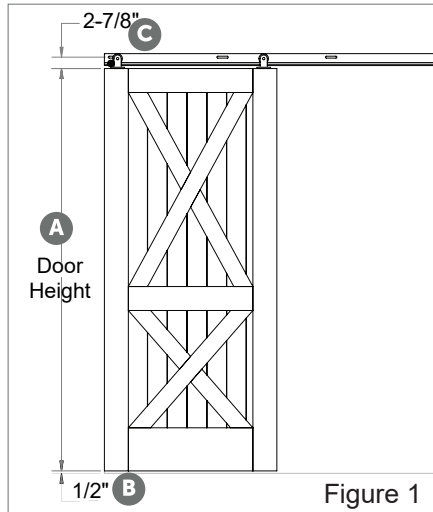


Figure 1

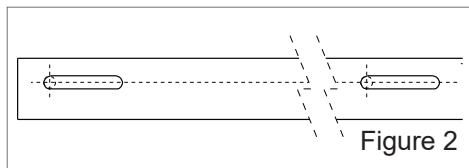


Figure 2

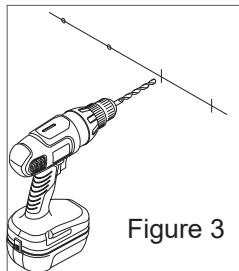


Figure 3

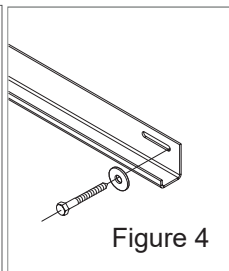


Figure 4

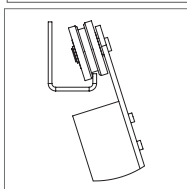


Figure 5

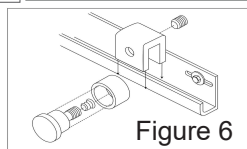


Figure 6

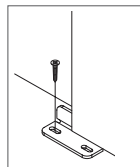


Figure 7

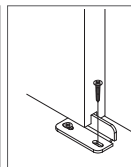


Figure 8

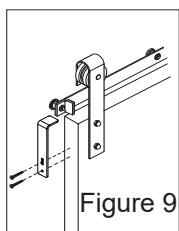


Figure 9

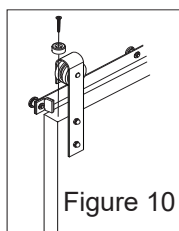


Figure 10

TRACK INSTALLATION

1. Determine where the track should be installed (Figure 1)
2. **For Face Mount Hangers** first measure the height of the door (A), then add 2-7/8" to the door length. 1/2" will be for the clearance between the bottom edge of the door and the floor (B). 2-3/8" will be from the top edge of the door to the center of the hole (C).
3. Using a level and a pencil, mark a line above the doorway at the height calculate and the same length as the track.
4. Hold the track up to where the pencil line is visible through the holes in the track.
5. SUGGESTION: Use pieces of double stick tape on the back of the track to help hold the track in place while completing steps and .
6. Mark an intersecting line inside each slotted hole wherever they work best for your wall considering stud locations (Figure 2).
7. Take the track down, remove double stick tape (if used) and set the track aside.
8. Drill out the marked holes using a drill with a 1/4" drill bit (Figure 3).
9. Attach one end of the track to the wall with one lag screw, and one washer (provided) using a socket wrench with 9/16" socket. Do not tighten (Figure 4)
10. Install remaining lag screws and washers (provided) using a 9/16" socket wrench. Tighten all lag screws.
11. Carefully, and at a slight angle, lift the door slightly over the track and then down onto it (Figure 5).
12. Slip the Adjustable Door Stop over the track and tighten (Figure 6).

DOOR GUIDE INSTALLATION

1. With the door in the closed position, ensure the door is hanging straight using a bubble level.
2. Position the Door Guide part way into the groove in the bottom of the door (Figure 7).
3. Install the Door Guide using a 1" Phillips screw (provided) and a drill with a Phillips bit.
4. Slide the door toward the open position until the other side of the Door Guide is exposed. Install the second 1" Phillips screw (provided) using a drill with a Phillips bit

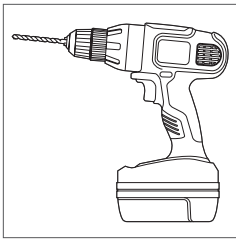
ANTI-JUMP GUIDE INSTALLATION

1. Place the Anti-Jump bracket on the door side, moving the bracket up until it is between 1/8" and 1/16" from the bottom edge of the rail. Mark the placement with a pencil. *
2. Install the bracket to the door edge with 2 Phillips screws(provided) using a drill with a Phillips bit (Figure 9).
3. Repeat steps 1 and 2 for the opposite end of the door OR
4. Place the Anti-Jump block on the top of the door (Figure 10). Using a drill with a Phillips bit, install the block with the 1" Phillips screw (provided).
5. Repeat step 4 for the opposite end of the door.

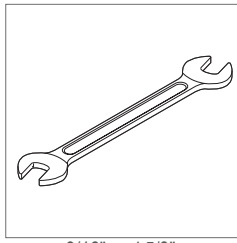


Actual Hanger Style Will Vary

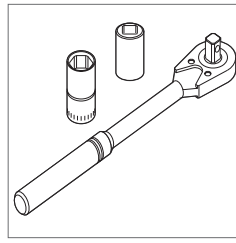
HANGER Parts and Recommended Tools



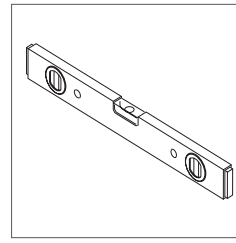
Drill with, 1/4" Drill Bit and Phillips Bit



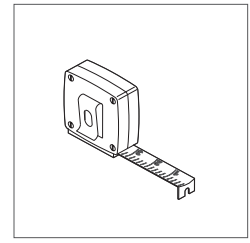
9/16" and 5/8" Combination Wrench



Socket Wrench with 9/16" and 5/8" Sockets



Level



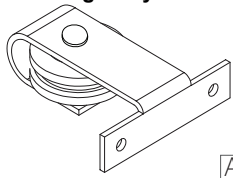
Tape Measure

NOTE:

The following instructions are for J-TRACK systems only.
Do not attempt to use on flat, tube, bypass, or ceiling mount track systems.

See page
2 for face
mount
hangers

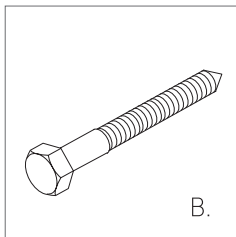
Actual Hanger Style Will Vary



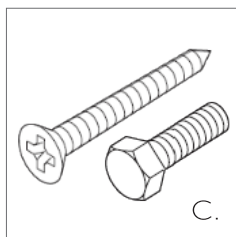
PARTS

- | | |
|---|--|
| A. Hanger Assembly (typically 2) | F. Anti-Jump Bracket (2) |
| B. Lag Screws (typically the same amount as the number of holes in the track) | G. or Anti-Jump Blocks (4, only for biparting and metal doors) |
| C. Hanger Fastener Screw for Wood Doors or Bolts for Metal Doors (2 per hanger) | H. Door Guide |
| D. Phillips Screws (2 per guide & 2 per Anti-Jump Bracket or 1 per Anti-Jump Block) | I. Adjustable Stop Track |
| E. 1" Washer (1 per track hole and 2 per Hex Bolt kit) | |

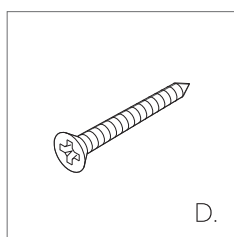
Please note that most top mount hangers are designed for use with Flat Track and when using them with a J-Track will result in a space of 1-7/8" from the top of the door to the bottom of the J-Track.



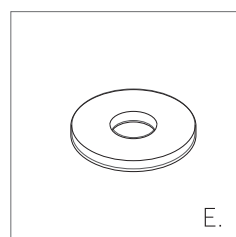
B.



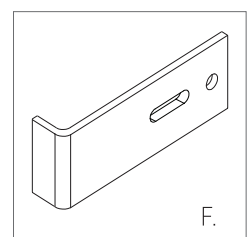
C.



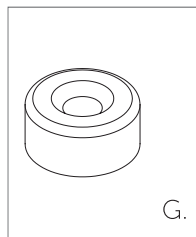
D.



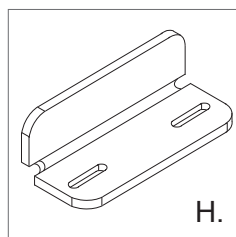
E.



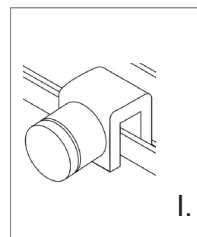
F.



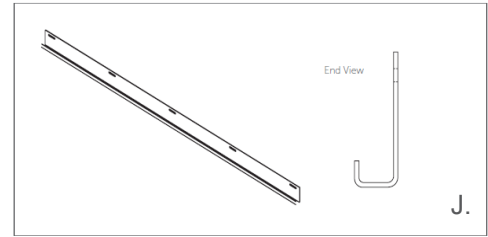
G.



H.



I.



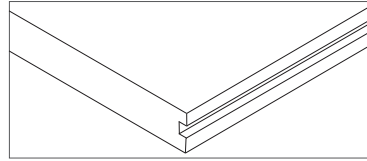
J.



HANGER Assembly Instructions

NOTE:

Doors using a Floor Mount Door Guide will have a groove on the bottom. Ensure this groove is on the opposite end of the door hanger installation



HANGER INSTALLATION FOR SQUARE-EDGE DOOR

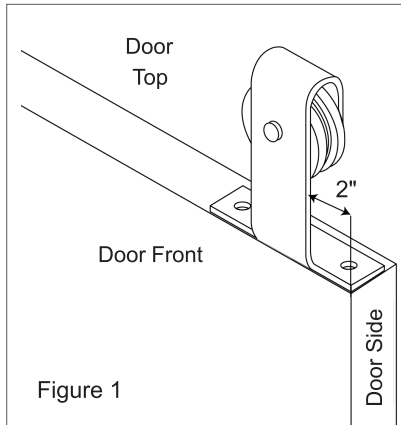


Figure 1

Actual Hanger Style Will Vary

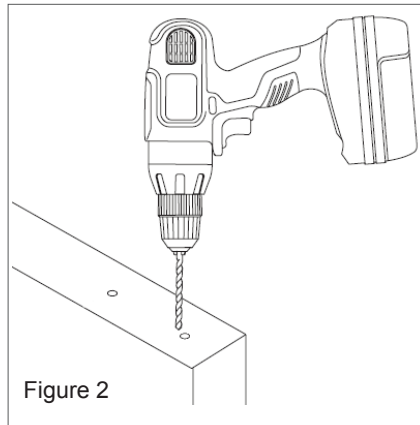


Figure 2

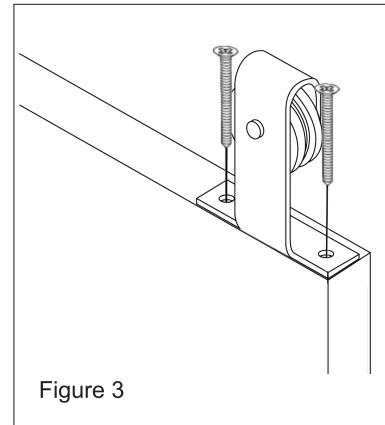


Figure 3

Actual Hanger Style Will Vary

For Wood Doors

1. Place the hanger on the top edge surface of the door, with the vertical front of the hanger 2" from the edge of the door side and flush with the door front. Ensure the front of the hanger and the front of the door are facing the same direction (Figure 1).
2. Mark the center of each installation hole with a pencil.
3. Repeat steps 2-3 for the opposite end of the door and set the hangers aside.
4. Drill two pilot holes for each hanger using an 1/8" bit (Figure 2).
5. Attach the hanger to the door using two hanger fastener screws (provided). Repeat the process on the opposite end of the door (Figure 3).

For Metal Doors

1. Using the 1" bolts provided attach the hanger to the door in the prepared riv-nuts. Repeat the process of the opposite end of the door.

NOTE:

- If the door is 3 or more inches thick, mount the hanger in the center between the front and back of the door.
- If the door has a curved corner set the hanger flat on the top (Figure 4).

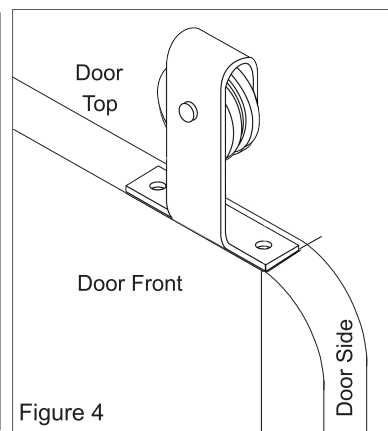


Figure 4

Actual Hanger Style Will Vary



FLAT TRACK Assembly Instructions

Use teamwork. We recommend two people for this build.

FIRST THINGS FIRST

Check to see if the floor below the track area is level. If the floor is not level and rises more than 1/2" the door may rub or not slide properly. If the floor is not level, measure from the highest point of the floor surface to the recommended track placement and adjust track placement accordingly. Ensure the track will be installed into wall studs, wood backing in the wall or a header board that is installed into wall studs.

TRACK INSTALLATION

1. Determine where the track should be installed (Figure 1)
2. **For Top Mount Hangers** first measure the height of the door (A), then add 5-3/8" to the door length. 1/2" will be for the clearance between the bottom edge of the door and the floor (B). 4-7/8" will be from the top edge of the door to the center of the hole (C).
3. Using a level and a pencil, mark a line above the doorway at the height calculate and the same length as the track.
4. Hold the track up to where the pencil line is visible through the holes in the track.
5. SUGGESTION: Use pieces of double stick tape on the back of the track to help hold the track in place while completing steps and .
6. Mark an intersecting line inside each slotted hole wherever they work best for your wall considering stud locations (Figure 2).
7. Take the track down, remove double stick tape (if used) and set the track aside.
8. Drill out the marked holes using a drill with a 1/4" drill bit (Figure 3).
9. Attach one end of the track to the wall with one lag screw, and one washer (provided) using a socket wrench with 9/16" socket. Do not tighten (Figure 4)
10. Install remaining lag screws and washers (provided) using a 9/16" socket wrench. Tighten all lag screws.
11. Carefully, and at a slight angle, lift the door slightly over the track and then down onto it (Figure 5).
12. Slip the Adjustable Door Stop over the track and tighten (Figure 6).

DOOR GUIDE INSTALLATION

1. With the door in the closed position, ensure the door is hanging straight using a bubble level.
2. Position the Door Guide part way into the groove in the bottom of the door (Figure 7).
3. Install the Door Guide using a 1" Phillips screw (provided) and a drill with a Phillips bit.
4. Slide the door toward the open position until the other side of the Door Guide is exposed. Install the second 1" Phillips screw (provided) using a drill with a Phillips bit

ANTI-JUMP GUIDE INSTALLATION

1. Place the Anti-Jump bracket on the door side, moving the bracket up until it is between 1/8" and 1/16" from the bottom edge of the rail. Mark the placement with a pencil. *
2. Install the bracket to the door edge with 2 Phillips screws(provided) using a drill with a Phillips bit (Figure 9).
3. Repeat steps 1 and 2 for the opposite end of the door OR
4. Place the Anti-Jump block on the top of the door (Figure 10). Using a drill with a Phillips bit, install the block with the 1" Phillips screw (provided).
5. Repeat step 4 for the opposite end of the door.

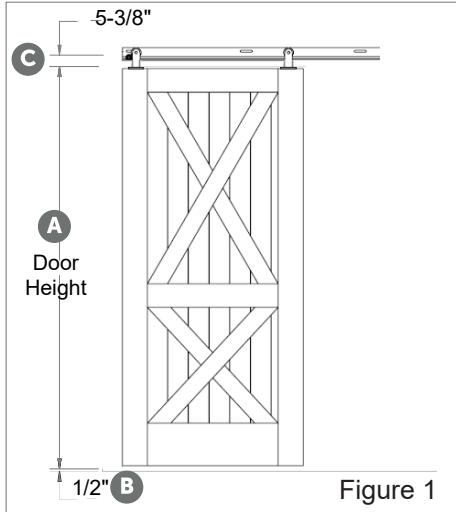


Figure 1

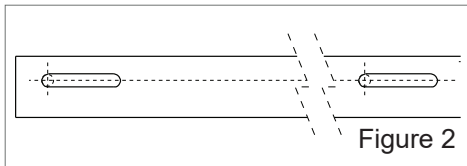


Figure 2

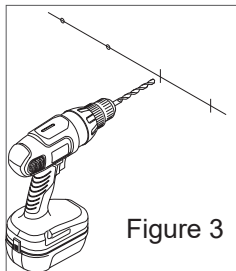


Figure 3

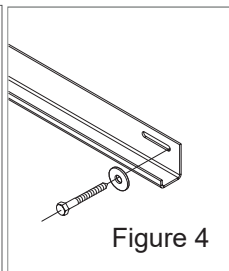


Figure 4

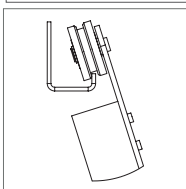


Figure 5

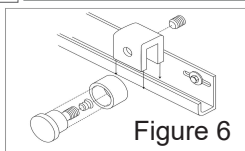


Figure 6

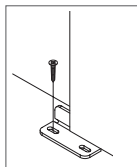


Figure 7

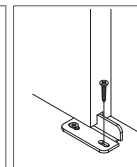


Figure 8

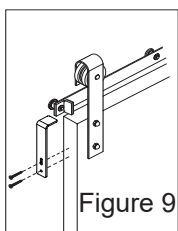


Figure 9

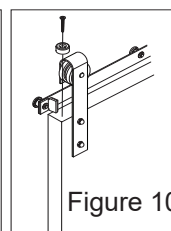


Figure 10

Actual Hanger Style Will Vary

