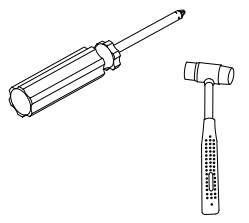



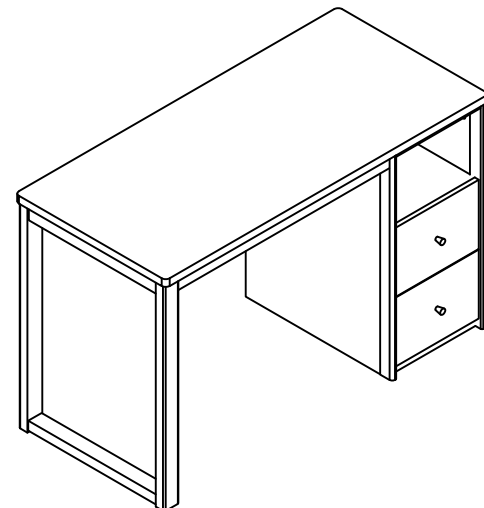
LINSY 林氏家居

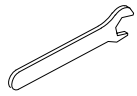
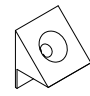

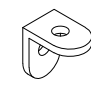
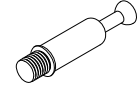
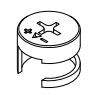
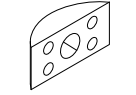

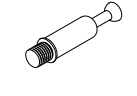
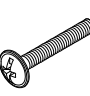

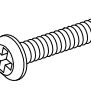
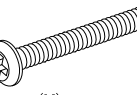
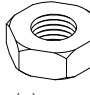

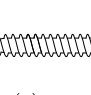
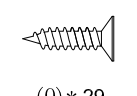
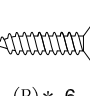
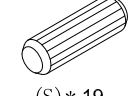
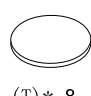
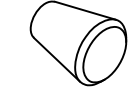
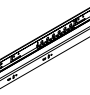
五金表/Hardware list

部件表/Parts List

安装示意图/Assembly Instruction

产品名称 Model NO.	JU3V-A
产品规格 Specification	1200*560*753 mm
安装工具 Tool	安装人数 Installer
	

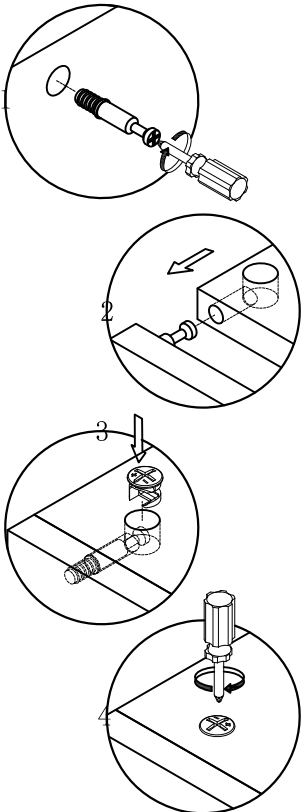


 (A)* 1 开口扳手14mm Wrench- Open End Wrench	 (B)* 6 背板扣 Back Plate Buckle-White	 (C)* 2 五合一孔盖-棕色 5-in-1 plastic cover	 (D)* 2 角码 Corner code
 (E)* 25 二合一螺杆 2-in-1-screw	 (F)* 25 大三合一锁饼 Three-in-one large lock	 (G)* 2 五合一月牙 5-in-1 screw	 (H)* 8 小三合一锁饼 small three-in-one lock
 (I)* 8 小二合一杆 small two-in-one rod	 (J)* 2 拉手螺丝-M4x20mm pulling screw	 (K)* 2 全牙螺杆-M8x80mm screw- color zinc	 (L)* 4 斜边十字螺杆-M8x30 bevel cross screw
 (M)* 6 斜边十字螺杆-M8x50 bevel cross screw	 (N)* 2 外六角螺母M8 Hexagon Nut colored zinc	 (O)* 8 塑料螺母 Plastic Nut	 (P)* 8 自攻螺丝M4x40mm Self-tapping screw
 (Q)* 29 自攻螺丝M3.5x12mm Self-tapping screw	 (R)* 6 自攻螺丝M3.5x16mm Self-tapping screw	 (S)* 19 木榫Ø8x30mm wood tenon	 (T)* 8 脚垫-灰色 Footrest - Grey
 (U)* 2 土豪金亮光圆拉手 Handle	 (V)* 2 三节滚珠导轨-12" three-section ball rail		

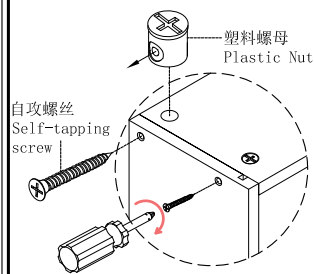
编号NO.	名称Name	规格 (mm) Specification	数量QTY	材质Material
①	面板 Top panel	1200*560*25	1	三胺板Melamine
②	左侧框 Side frame(L)	725*540*55	1	实木Wood
③	前后立水 Front and back apron	786*45*26	2	实木Wood
④	左侧板 Side board(L)	725*500*15	1	三胺板Melamine
⑤	左前柱 Left front pillar	725*16*45	1	实木Wood
⑥	右侧板 Side board(R)	725*500*15	1	三胺板Melamine
⑦	右前柱 Right front pillar	725*16*45	1	实木Wood
⑧	后拉条 Back brace	318*78*15	2	三胺板Melamine
⑨	前拉条 Front brace	318*78*15	2	三胺板Melamine
⑩	层板 Shelf	318*500*15	1	三胺板Melamine
⑪	前脚条 Front foot strip	318*58*15	1	三胺板Melamine
⑫	抽屉面板 Drawer's top panel	312*222*15	2	三胺板Melamine
⑬	抽屉左侧板 Drawer's side board(L)	340*142*12	2	三胺板Melamine
⑭	抽屉右侧板 Drawer's side board(R)	340*142*12	2	三胺板Melamine
⑮	抽屉后板 Drawer's Back board	268*142*12	2	三胺板Melamine
⑯	抽屉底板 Drawer's Bottom board	278*336*5	2	三胺板Melamine
⑰	背板 Back board	662*328*5	1	三胺板Melamine

JU3V-A

安装方法/
Installation method

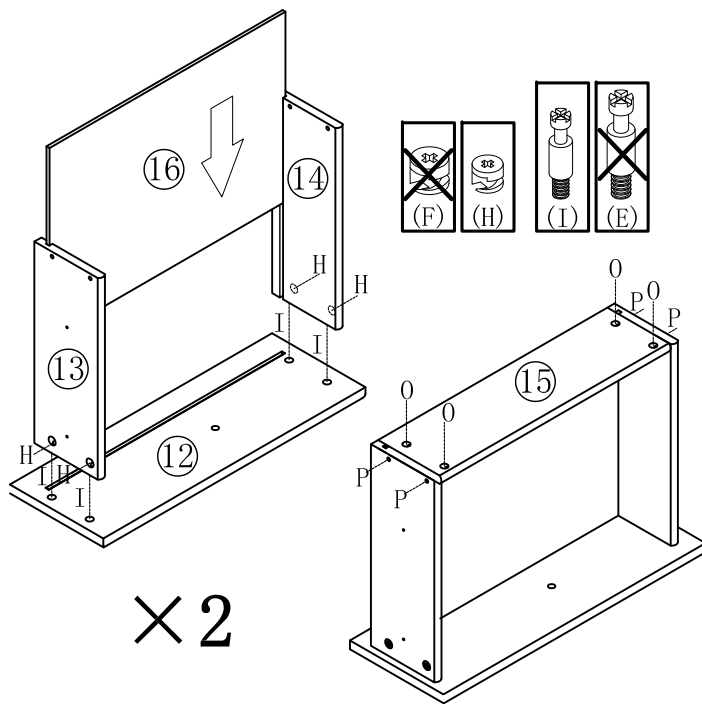


小二合一
small two-in-one



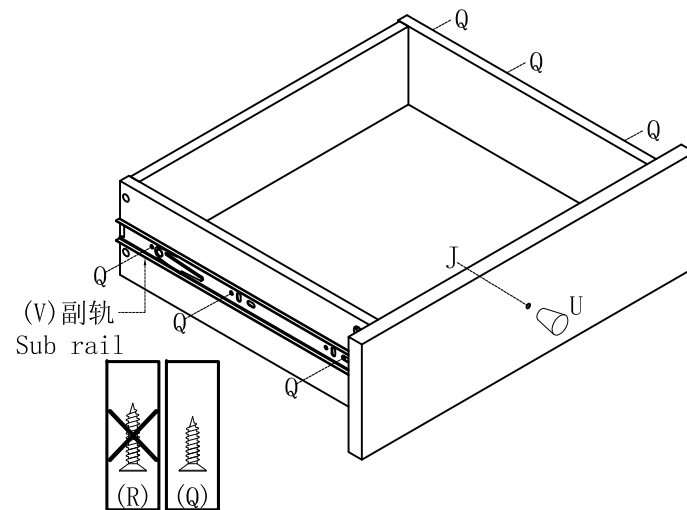
塑料螺母
Plastic Nut

- (H)*8
- (I)*8
- (O)*8
- (P)*8



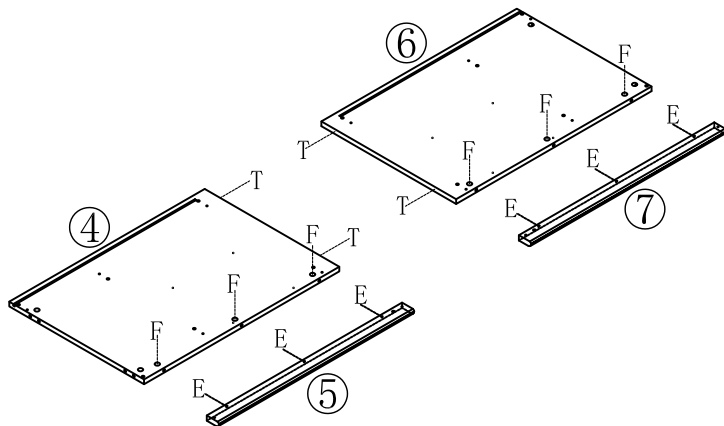
1

- (J)*2
- (U)*2
- (V)*2
- (Q)*12



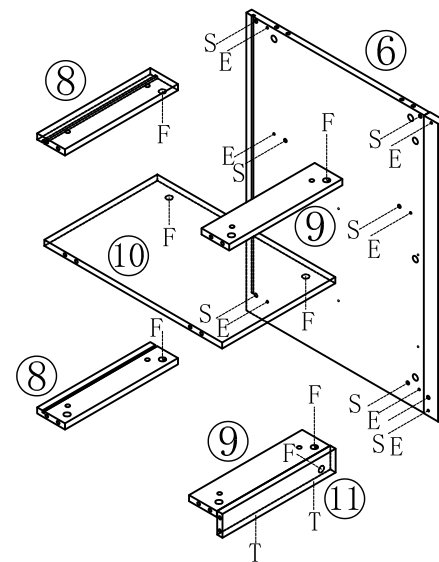
2

- (E)*6
- (F)*6
- (T)*4



3

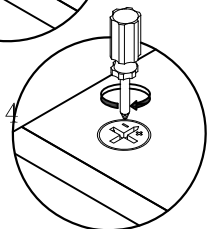
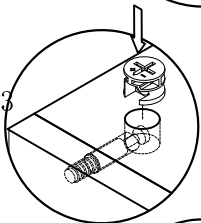
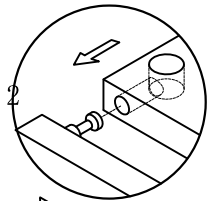
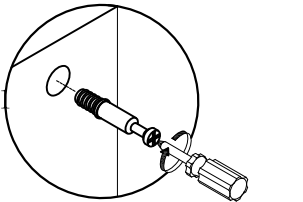
- (E)*7
- (F)*7
- (S)*7
- (T)*2



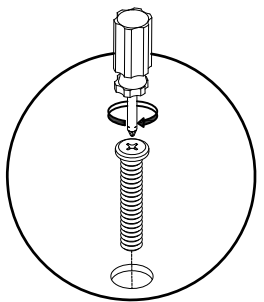
4

JU3V-A

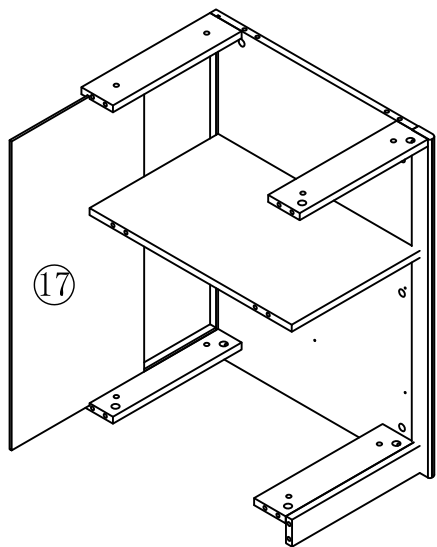
安装方法/
Installation method



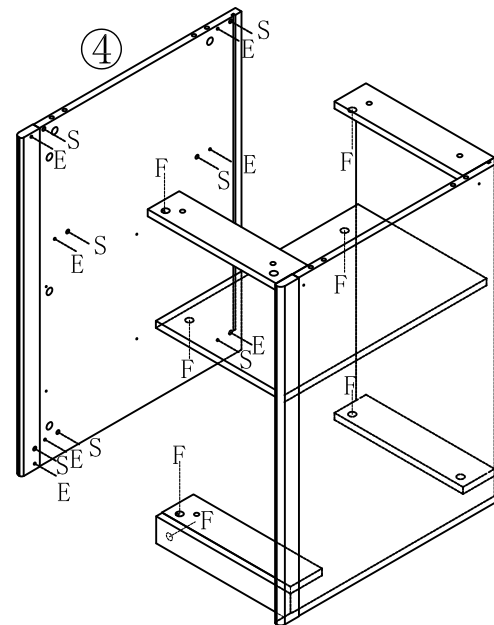
大二合一
two-in-one



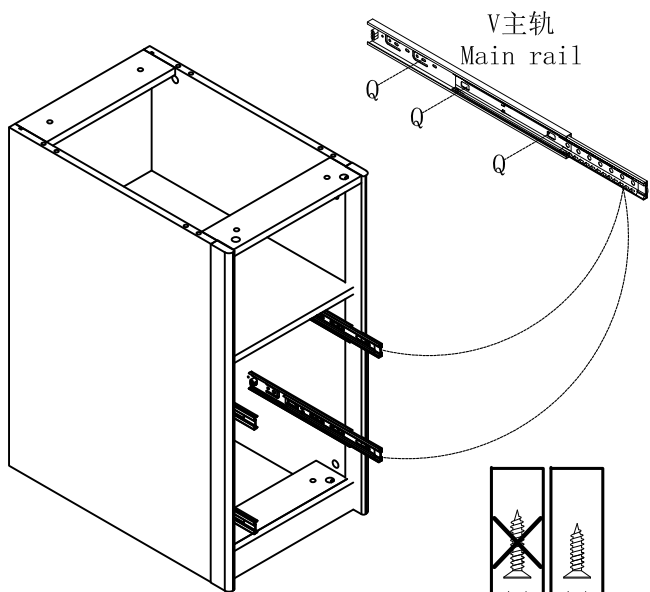
斜边十字螺杆
bevel cross screw



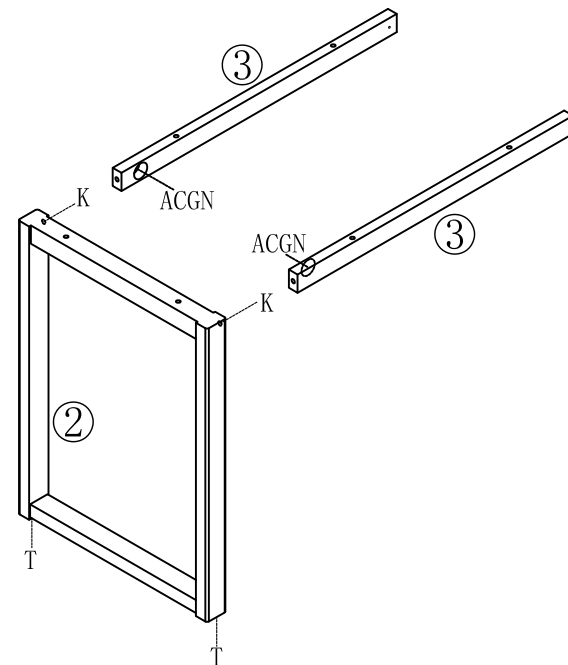
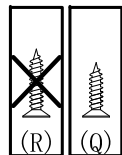
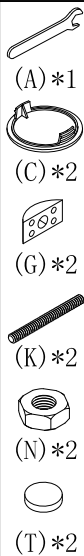
5



6



7



8

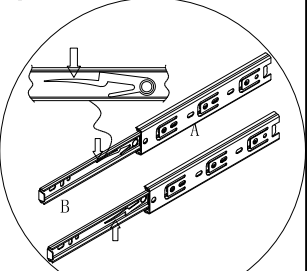
JU3V-A

安装方法/

Installation method

阀门开关(下压为开)
Valve switch
(press down to open)

1

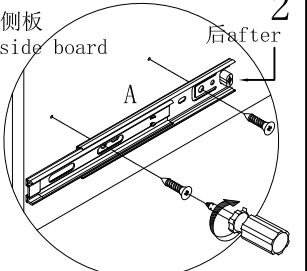


注: 先将A与B拆下来
Note: remove a and B first

侧板
side board

后after

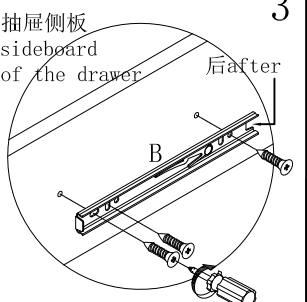
2



抽屉侧板
sideboard
of the drawer

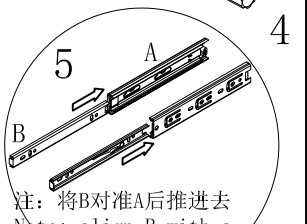
后after

3



注: 将B对准A后推进去
Note: align B with a
and push it in

5



三节滚珠导轨
three-section ball rail



(D)*2

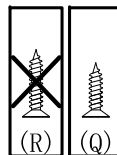
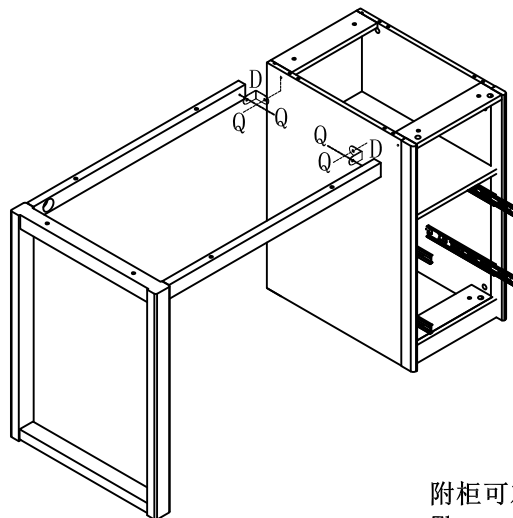
右边附柜安装

Installation of right attached cabinet

9



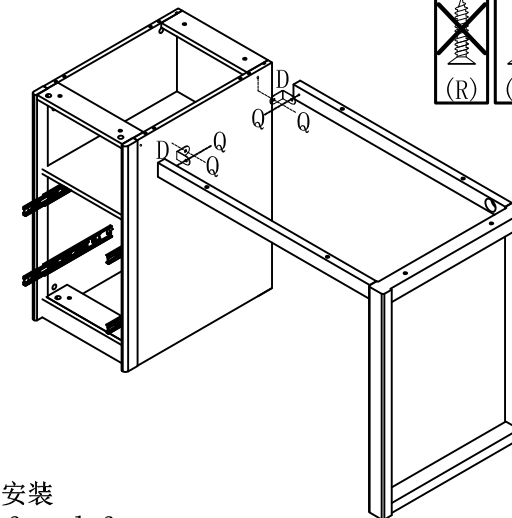
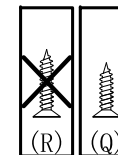
(Q)*4



左边附柜安装

Installation of left attached cabinet

10



附柜可左右调换装, 请选择其中一种然后再安装
The attached cabinet can be adjusted from left to right. Please select one of them before installing



(E)*4

右边附柜安装

Installation of right attached cabinet

11



(F)*4



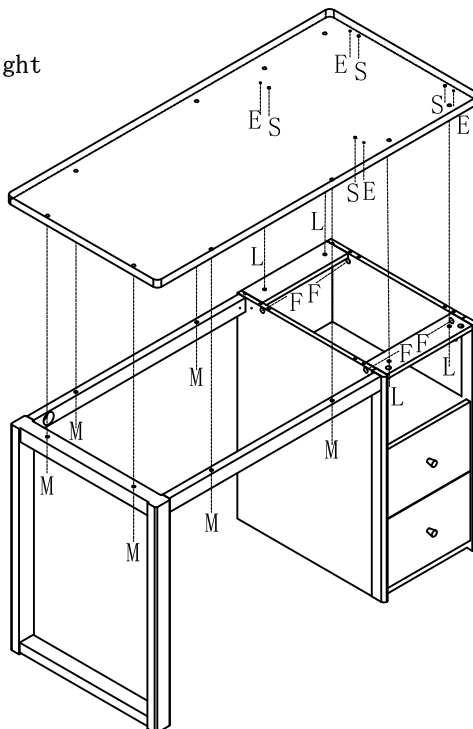
(L)*4



(M)*6



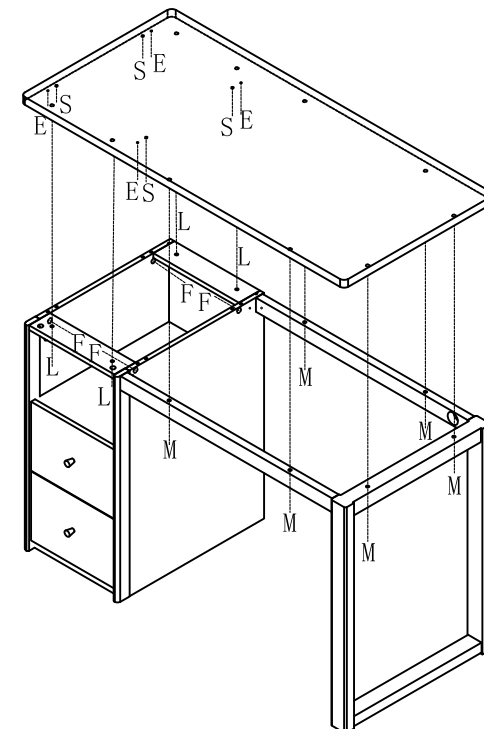
(S)*4



左边附柜安装

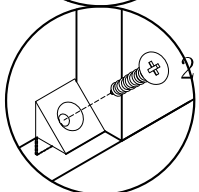
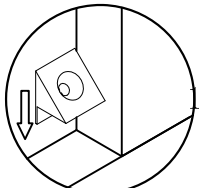
Installation of left attached cabinet

12

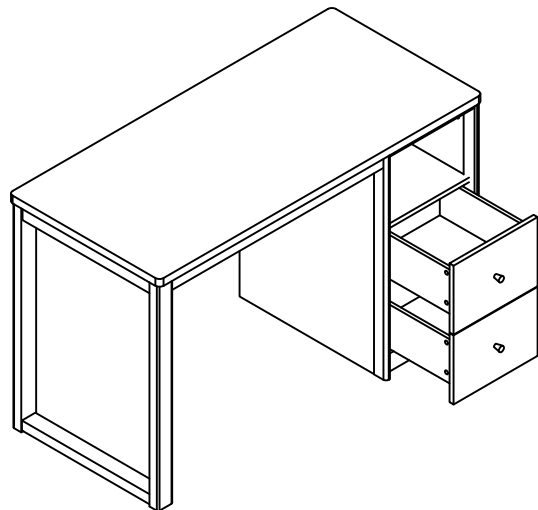


JU3V-A

安装方法/
Installation method



背板扣
Back Plate Buckle-White



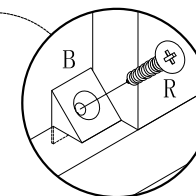
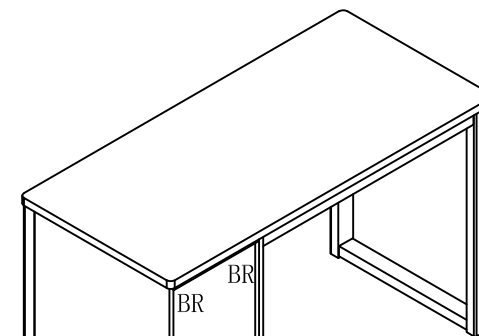
13



(B)*6

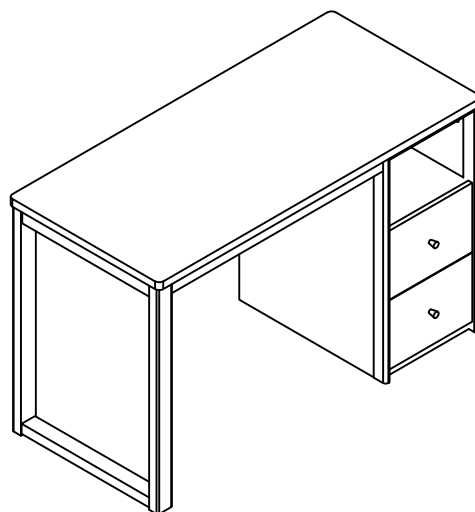


(R)*6



14

15



16