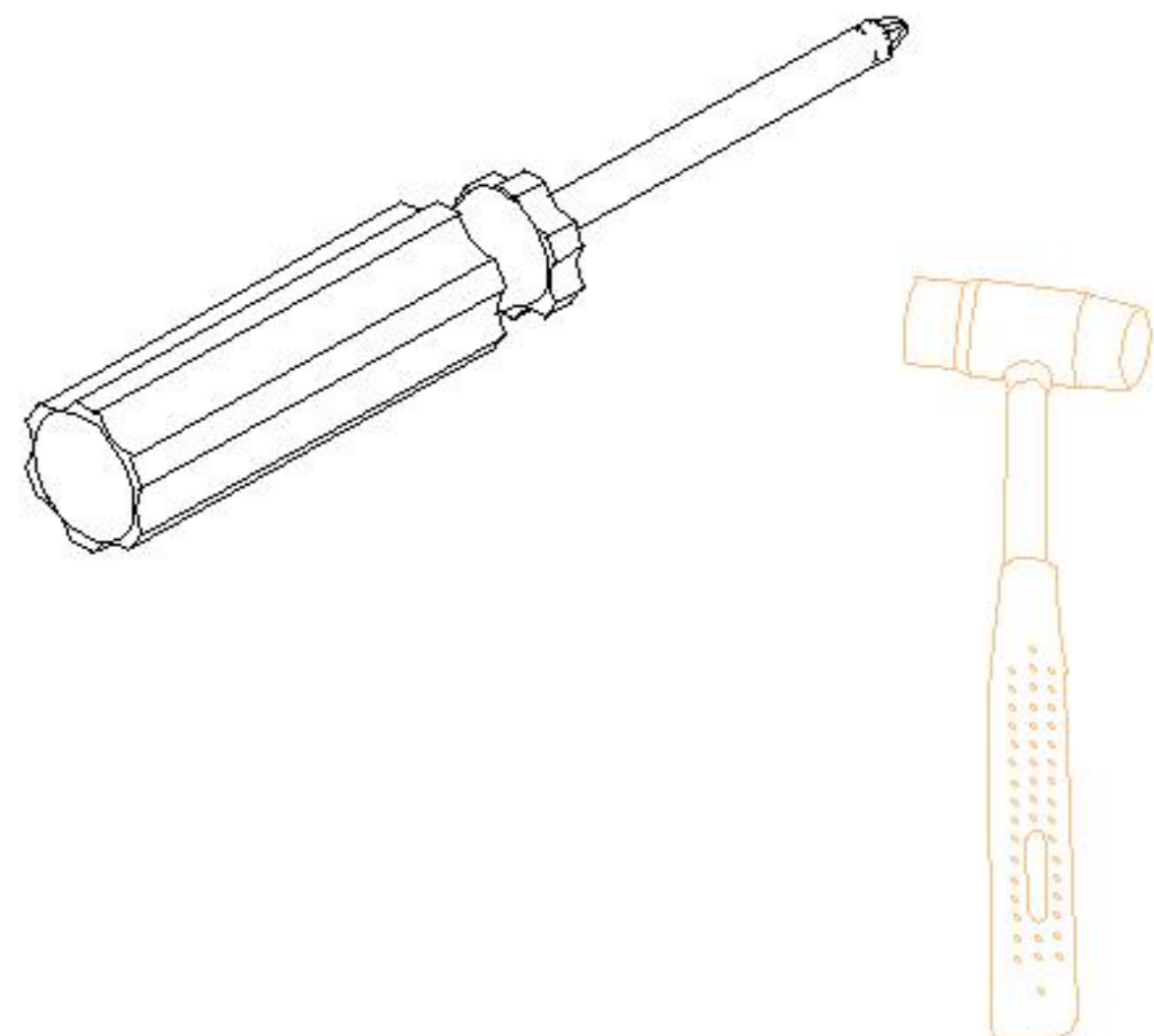
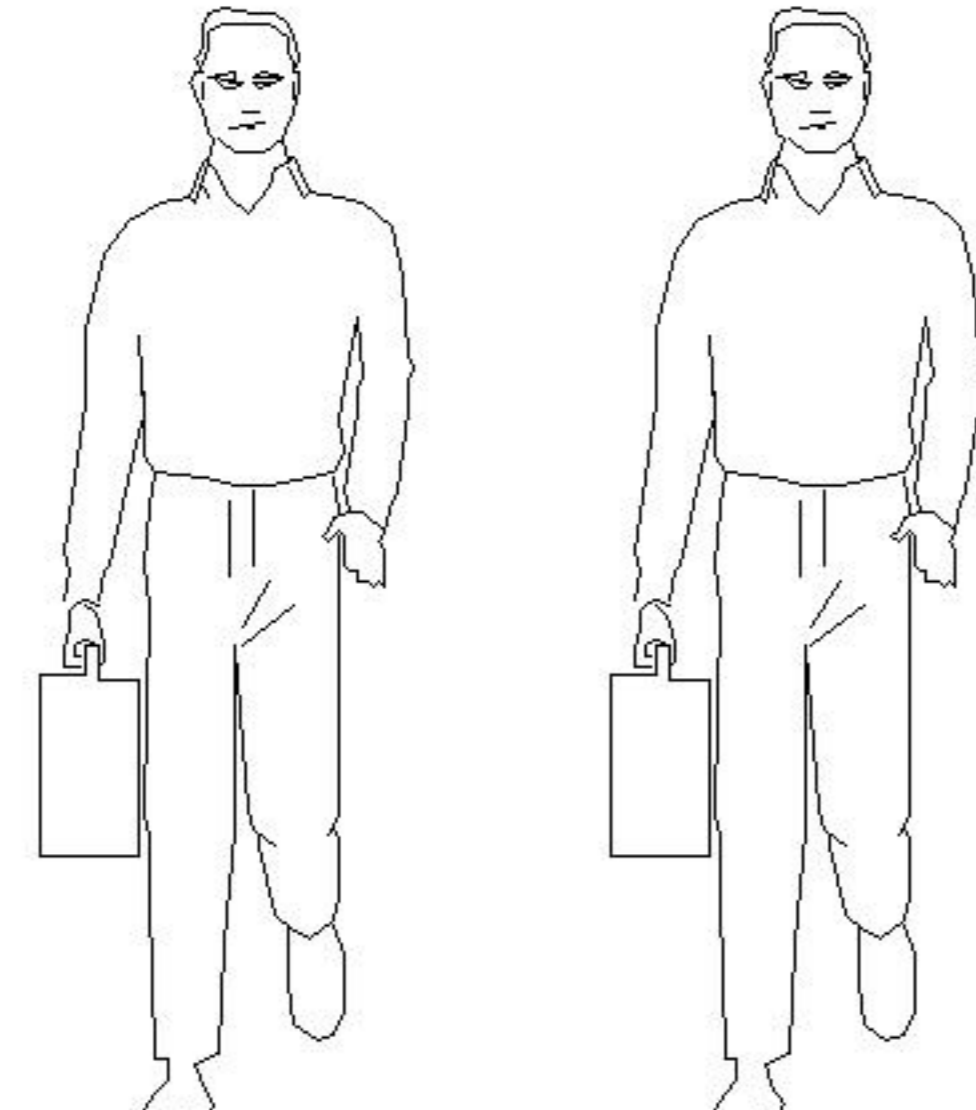
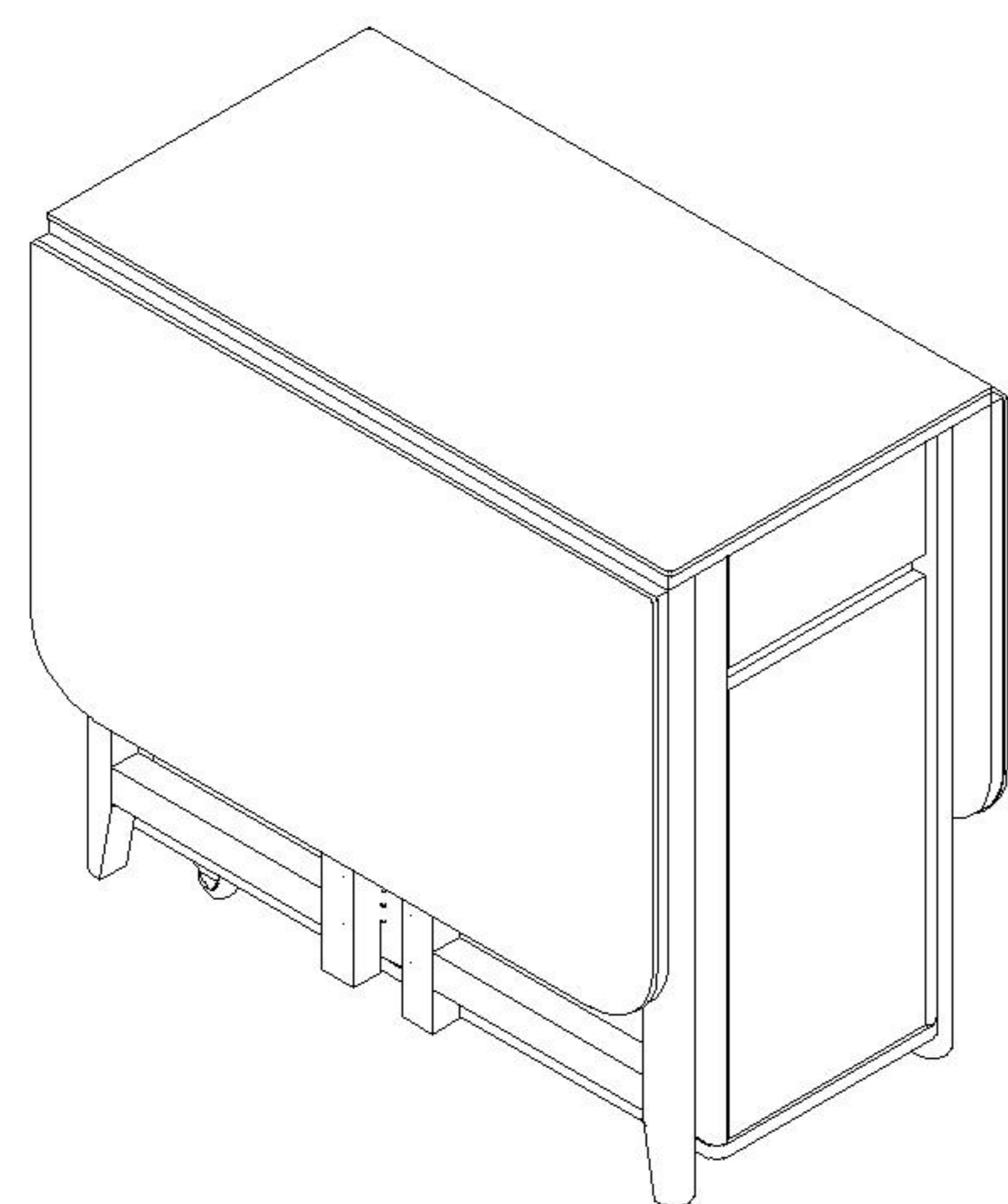
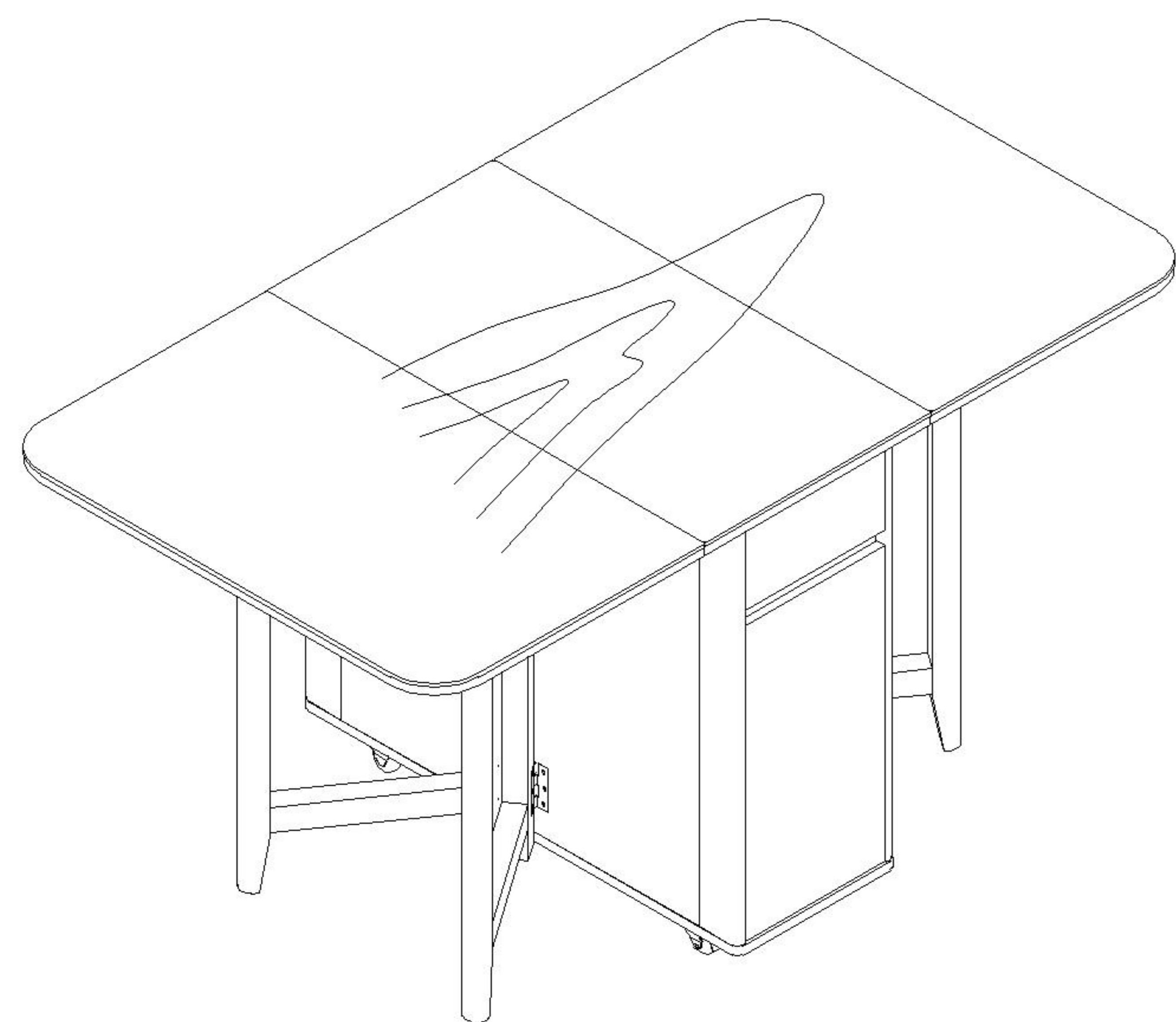


### 安装示意图/Assembly Instruction

|   |   |
|---|---|
| 产品名称 Model NO.  | OU2R-A(岩板)  |
| 产品规格 Specification  | 1400*800*750mm  |
| 安装工具 Tool   | 安装人数 Installer  |
|  |  |

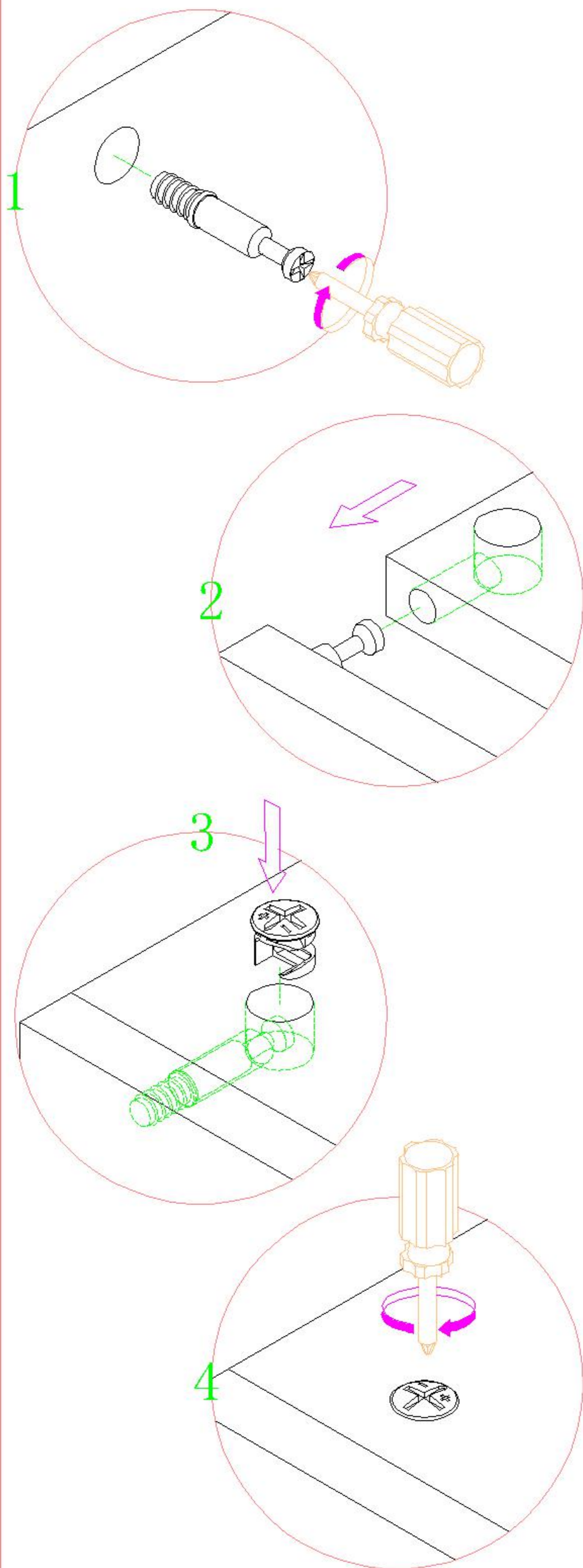


|  |   |   |  |
|--|---|---|--|
| <br>(A)* 10<br>过山丝-M7x38mm<br>Self-tapping screw<br>galvanized | <br>(B)* 13<br>自攻螺丝M3.5x12mm<br>Self-tapping screw         | <br>(C)* 4<br>调节五金脚-M8x30<br>Adjusting foot              | <br>(D)* 4<br>弹簧插销<br>Spring latch                |
| <br>(E)* 2<br>缓冲门铰大弯-Ø35<br>Hinge-big bends                    | <br>(F)* 34<br>二合一螺杆<br>2-in-1-screw                       | <br>(G)* 34<br>大三合一锁饼<br>Three-in-one large<br>lock      | <br>(H)* 42<br>木榫Ø8x30mm<br>wood tenon            |
| <br>(I)* 4<br>塑料螺母<br>Plastic Nut                             | <br>(J)* 4<br>小二合一杆<br>small two-in-one<br>rod             | <br>(K)* 4<br>小三合一锁饼<br>small three-in-one<br>lock       | <br>(L)* 8<br>半圆合页<br>Semicircular hinge          |
| <br>(M)* 8<br>合页<br>Hinge                                     | <br>(N)* 4<br>自攻螺丝M4x40mm<br>Self-tapping screw           | <br>(O)* 1<br>内六角扳手4mm<br>spanner-(4mm) hex             | <br>(P)* 4<br>脚垫-灰色<br>Footrest - Grey           |
| <br>(Q)* 4<br>透明防撞垫片<br>anti-collision<br>gasket            | <br>(R)* 122<br>自攻螺丝M3.5x14mm<br>Self-tapping screw      | <br>(S)* 2<br>万向轮<br>Universal wheel                   | <br>(T)* 4<br>活动层板托<br>Movable shelf<br>support |
| <br>(U)* 2<br>反弹器<br>Buffer                                  | <br>(V)* 17<br>自攻大扁M4*16mm<br>Self tapping flat<br>screw | <br>(W)* 1<br>三节滚珠导轨-10"<br>three-section ball<br>rail | <br>(X)* 2<br>定向轮<br>Directional wheel          |

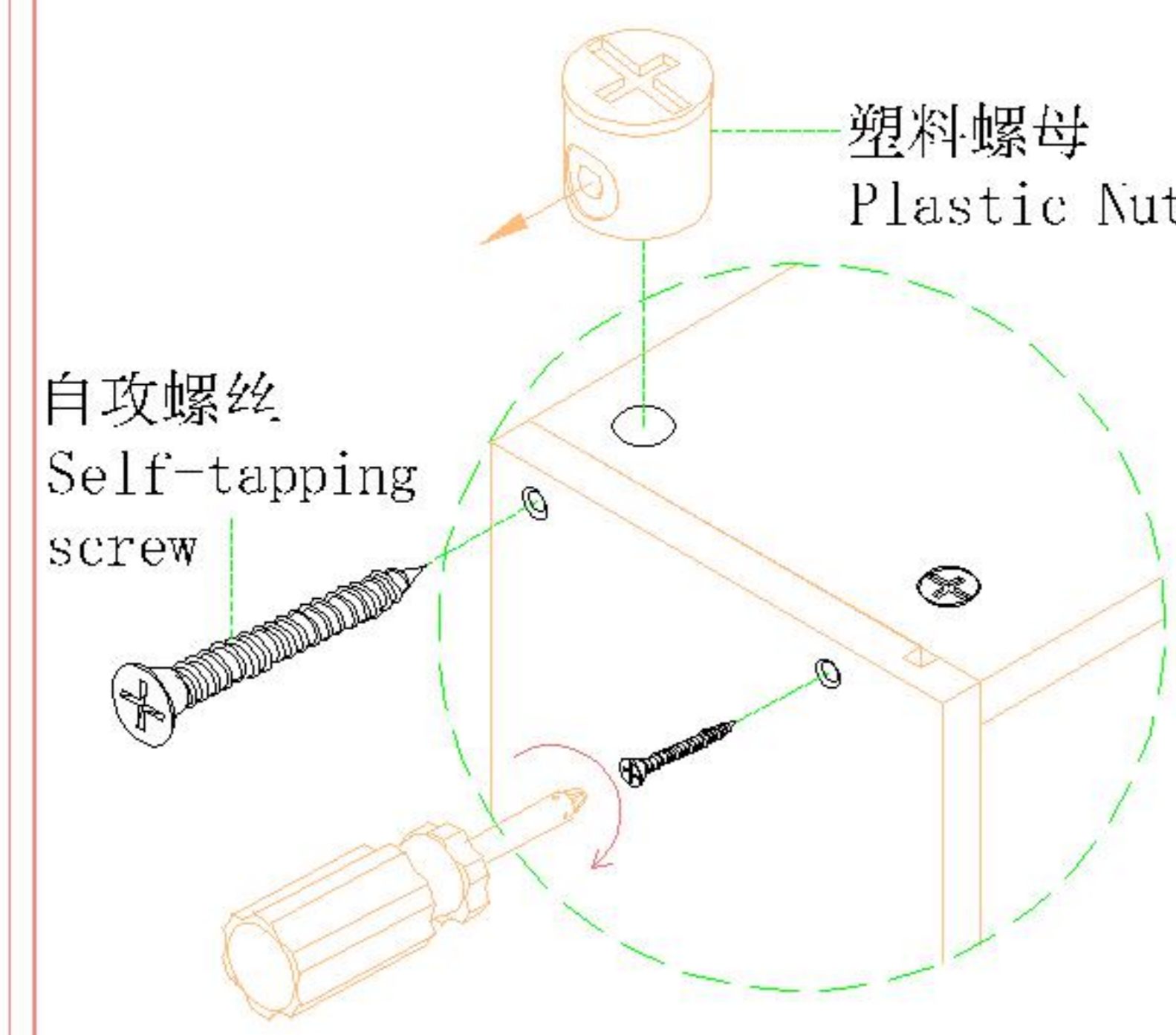
| 编号NO. | 名称Name                       | 规格 (mm)<br>Specification | 数量<br>QTY | 材质Material                        |
|-------|------------------------------|--------------------------|-----------|-----------------------------------|
| ①     | 边面板 Side panel               | 493*800*21               | 2         | 三胺板+岩板<br>Melamine+Sintered Stone |
| ②     | 面板 Top panel                 | 414*800*21               | 1         | 三胺板+岩板<br>Melamine+Sintered Stone |
| ③     | 装饰板1 Decoration board 1      | 654*70*15                | 1         | 实木Wood                            |
| ④     | 装饰板2 Decoration board 2      | 654*70*15                | 1         | 实木Wood                            |
| ⑤     | 装饰板3 Decoration board 3      | 654*70*15                | 1         | 实木Wood                            |
| ⑥     | 装饰板4 Decoration board 4      | 654*70*15                | 1         | 实木Wood                            |
| ⑦     | 侧板 Side board                | 654*654*15               | 2         | 三胺板Melamine                       |
| ⑧     | 拉条 Brace                     | 258*58*15                | 1         | 三胺板Melamine                       |
| ⑨     | 背板 Back board                | 654*258*15               | 1         | 三胺板Melamine                       |
| ⑩     | 底板 Bottom board              | 796*290*15               | 1         | 三胺板Melamine                       |
| ⑪     | 左脚框 Foot frame(L)            | 711*350*35               | 2         | 实木Wood                            |
| ⑫     | 门板 Door board                | 499*254*15               | 1         | 三胺板Melamine                       |
| ⑬     | 抽屉面板 Drawer's top panel      | 254*126*15               | 1         | 三胺板Melamine                       |
| ⑭     | 抽屉右侧板 Drawer's side board(R) | 295*78*12                | 1         | 三胺板Melamine                       |
| ⑮     | 抽屉左侧板 Drawer's side board(L) | 295*78*12                | 1         | 三胺板Melamine                       |
| ⑯     | 抽屉后板 Drawer's Back board     | 208*78*12                | 1         | 三胺板Melamine                       |
| ⑰     | 抽屉底板 Drawer's Bottom board   | 218*291*5                | 1         | 三胺板Melamine                       |
| ⑱     | 右脚框 Foot frame(R)            | 711*350*35               | 2         | 实木Wood                            |

OU2R-A(岩板)

安装方法/  
Installation method

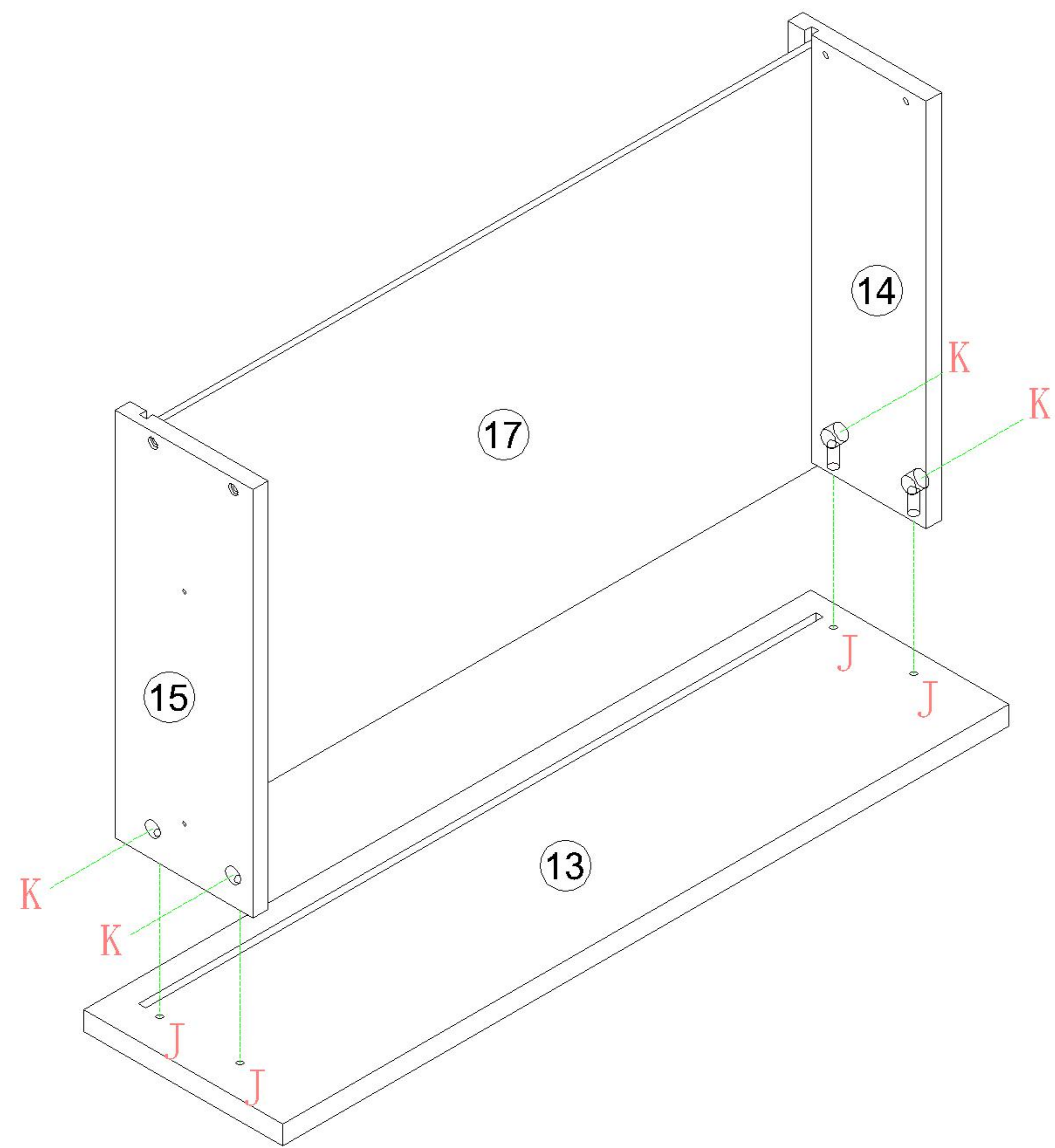


小二合一  
small two-in-one



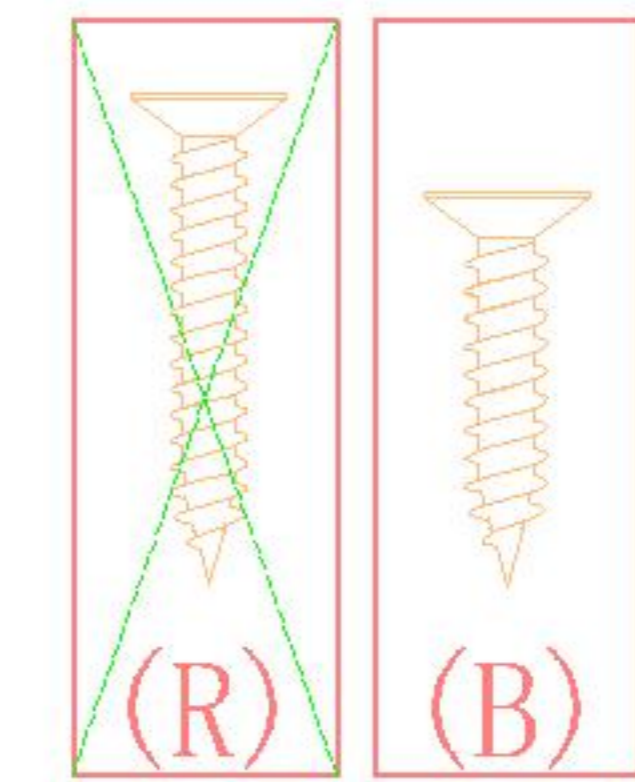
塑料螺母  
Plastic Nut

- (J)\*4
- (K)\*4

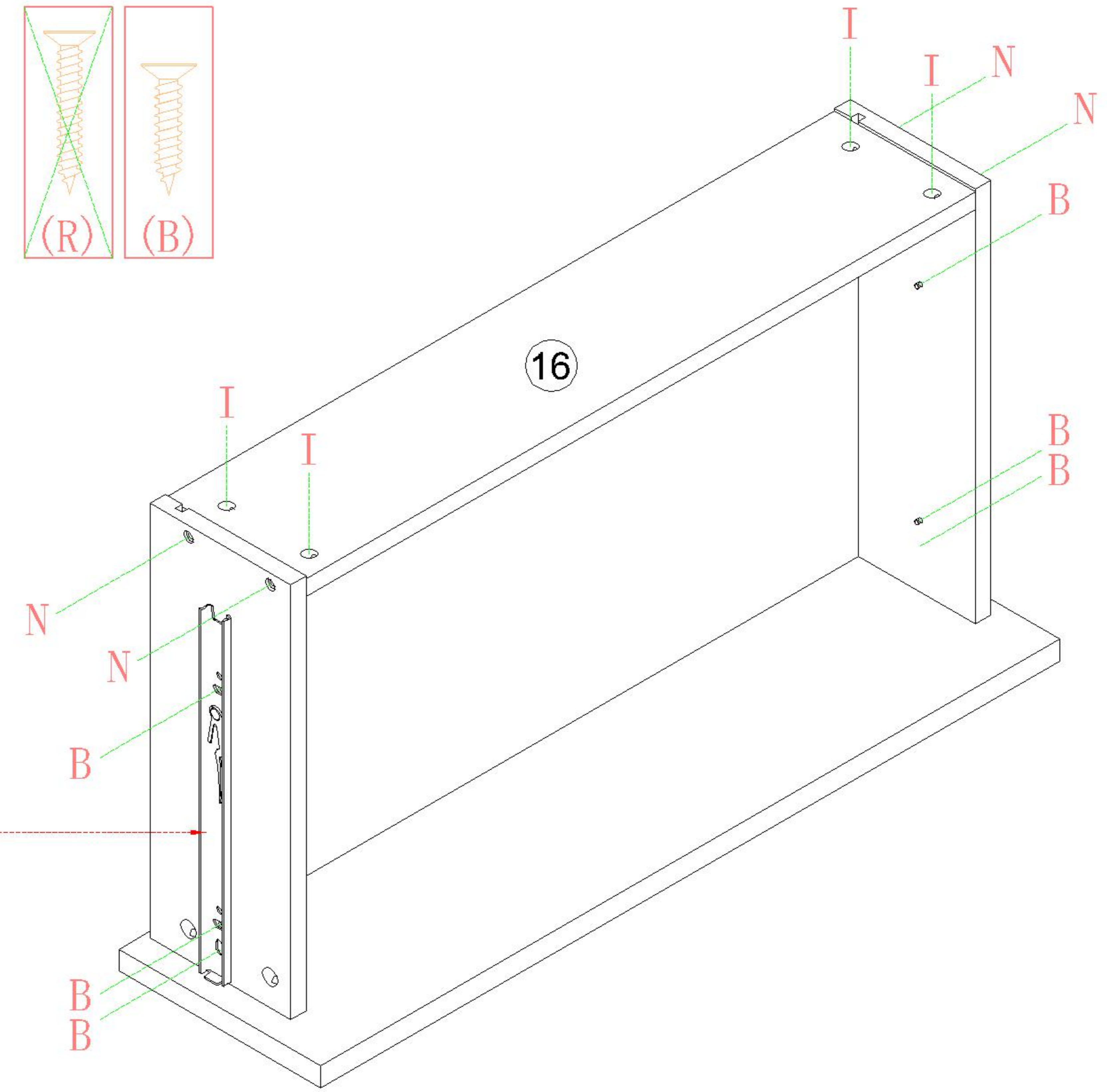


1

- (I)\*4
- (B)\*6
- (N)\*4
- (W)\*1

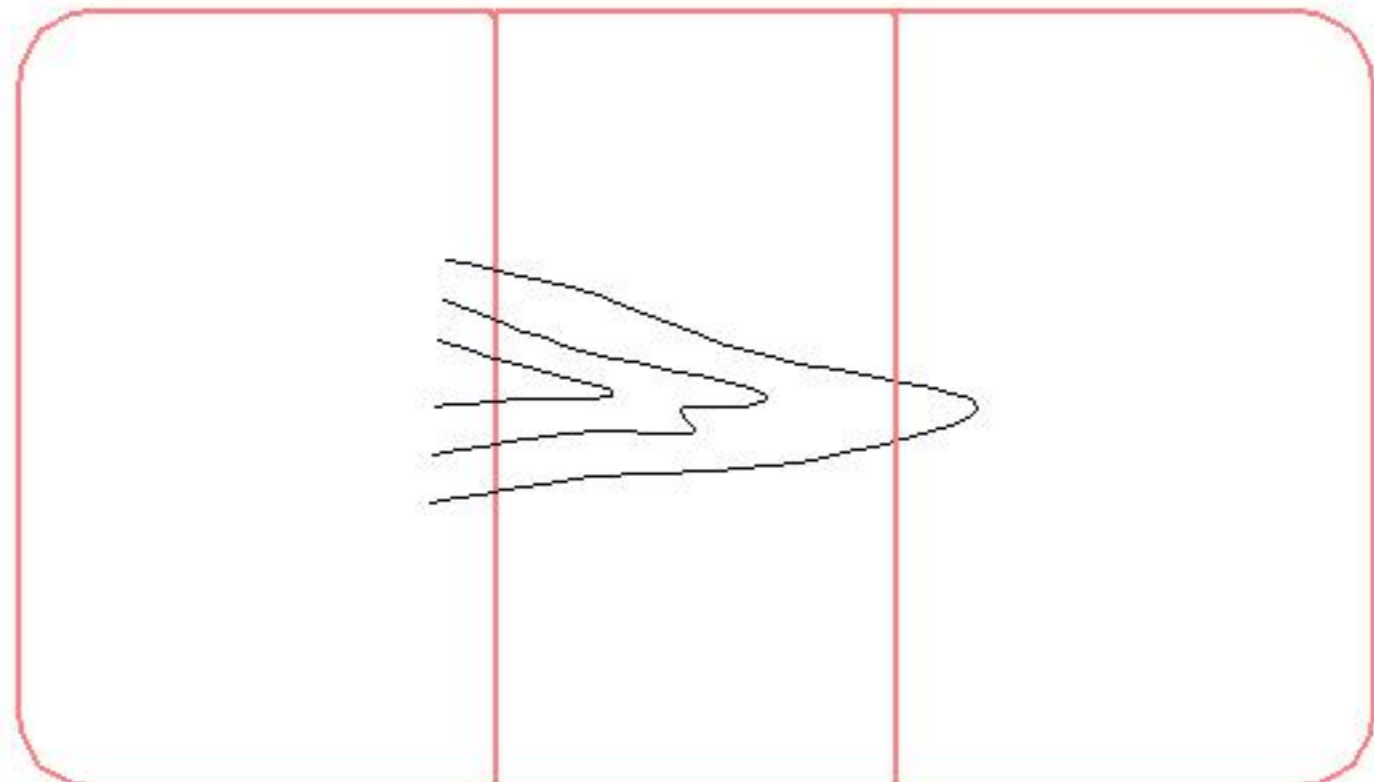


(W) 副轨  
Sub rail



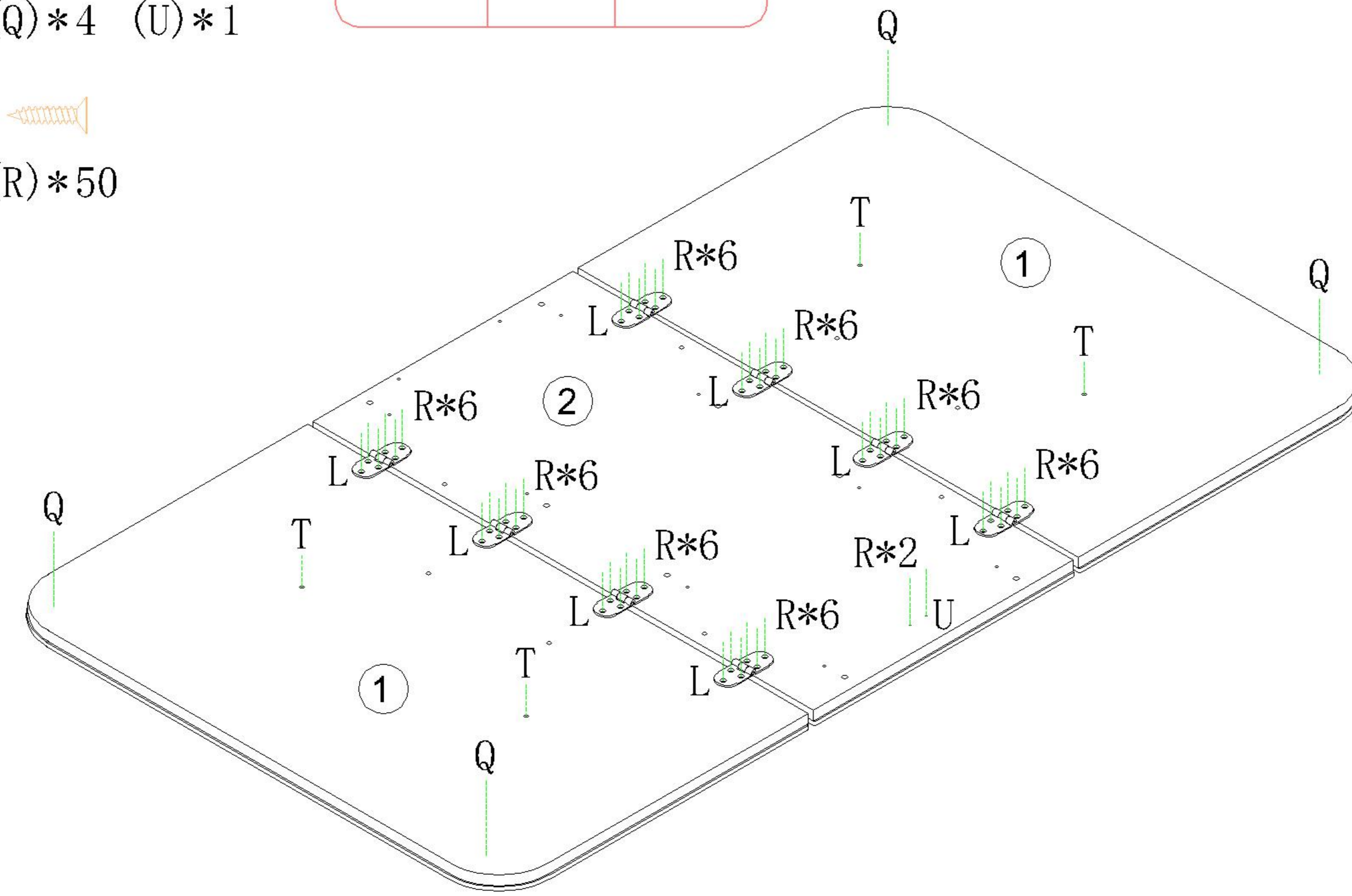
2

- (L)\*8
- (T)\*4
- (Q)\*4
- (U)\*1
- (R)\*50

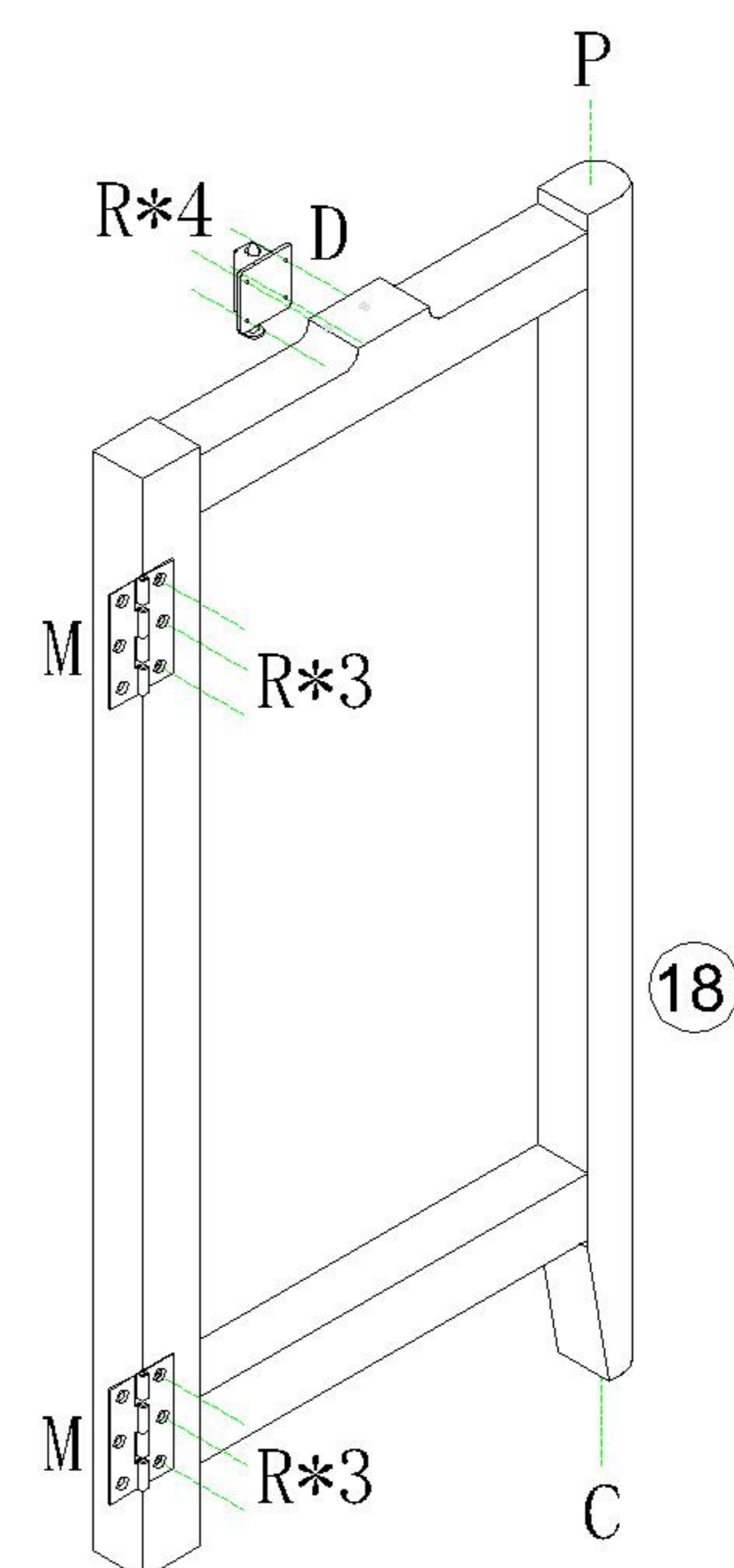


配套花色安装  
Matching decor installation

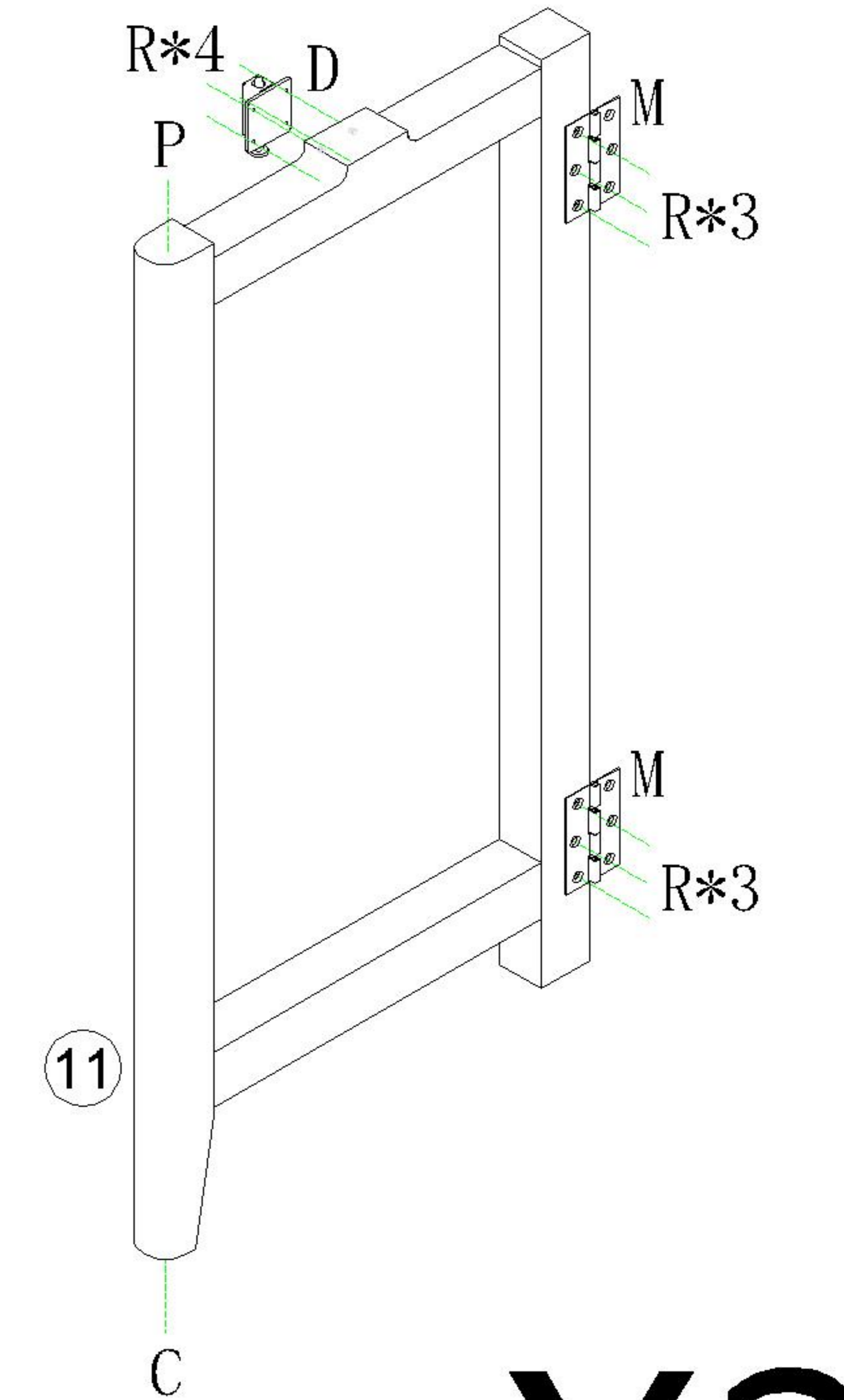
3



- (C)\*4
- (D)\*4
- (M)\*8
- (P)\*4
- (R)\*40



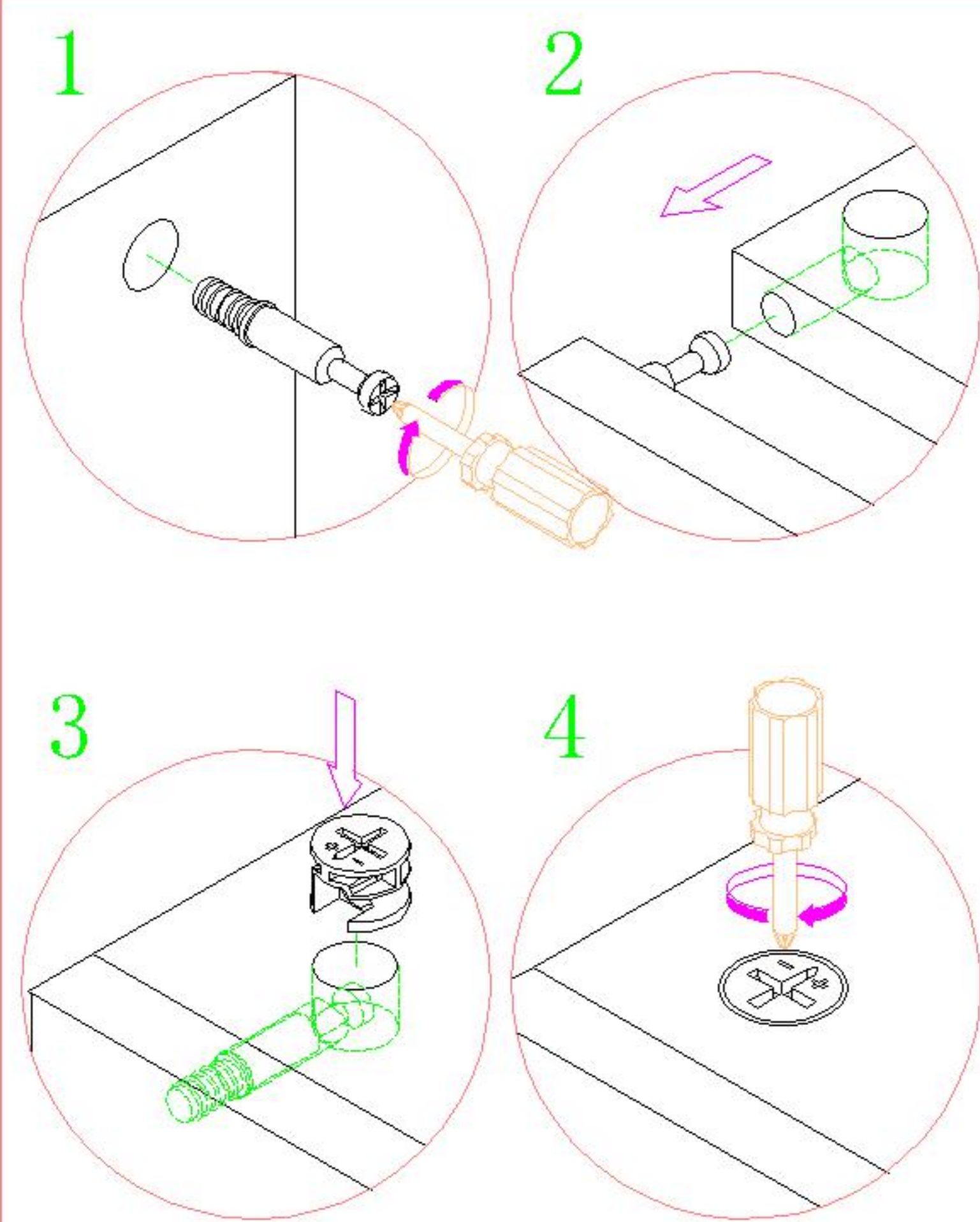
4



X2

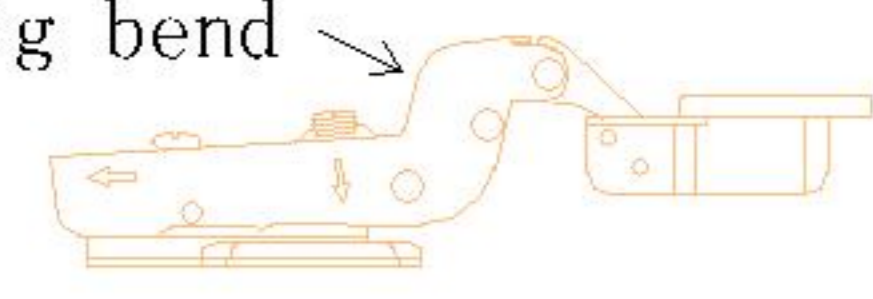
OU2R-A(岩板)

安装方法/  
Installation method

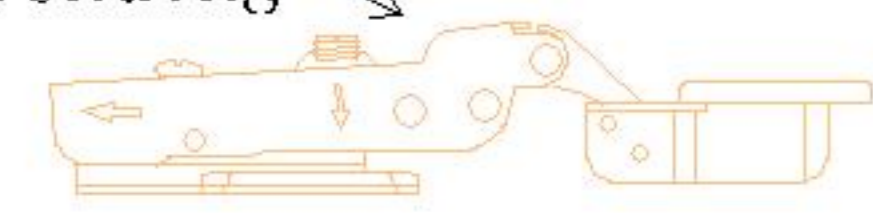


大二合一  
two-in-one

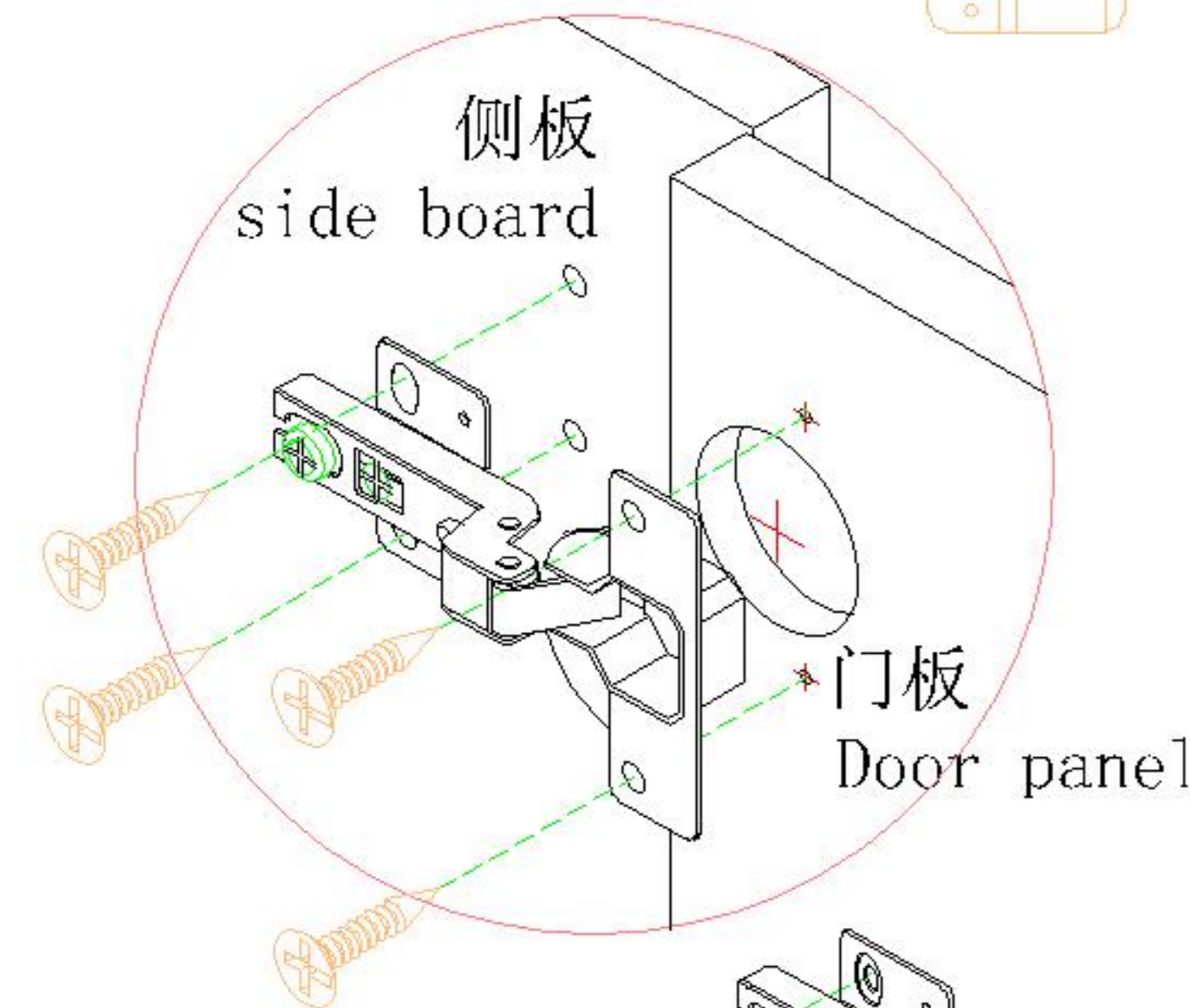
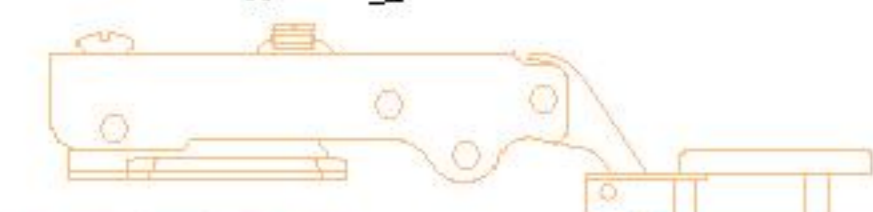
大弯big bend



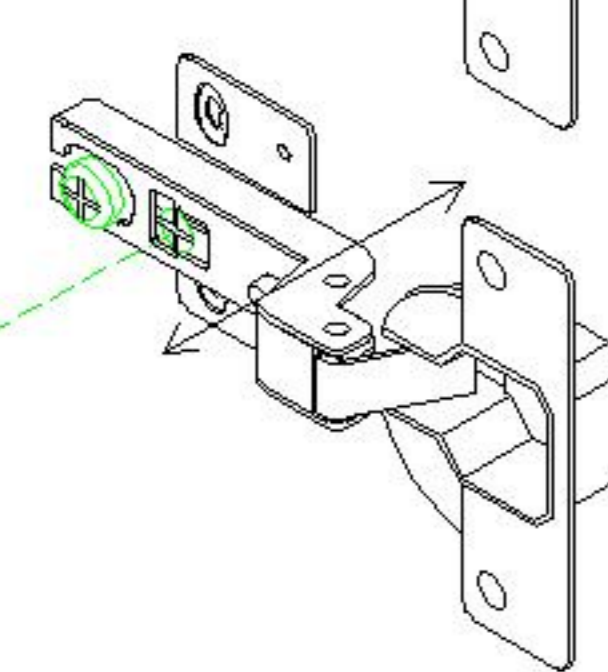
中弯middle bending



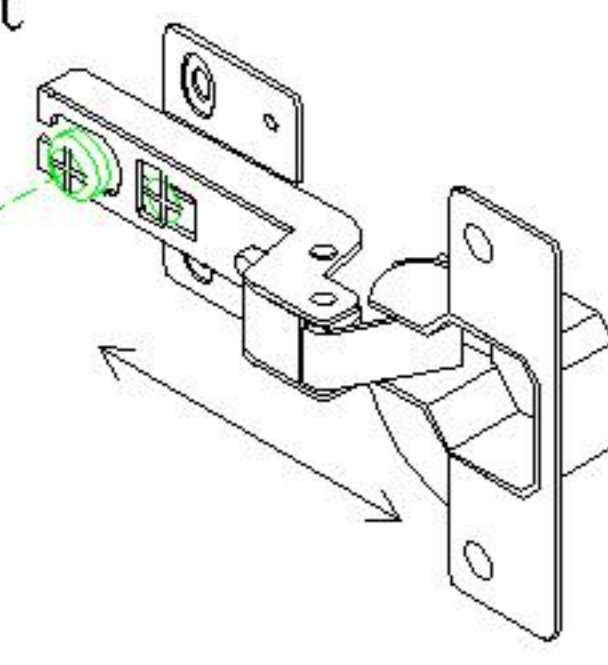
直弯straight bending



调节上下  
Adjust up and down



调节左右  
Adjust left and right



调节前后  
Before and after adjustment

门铰  
Hinge

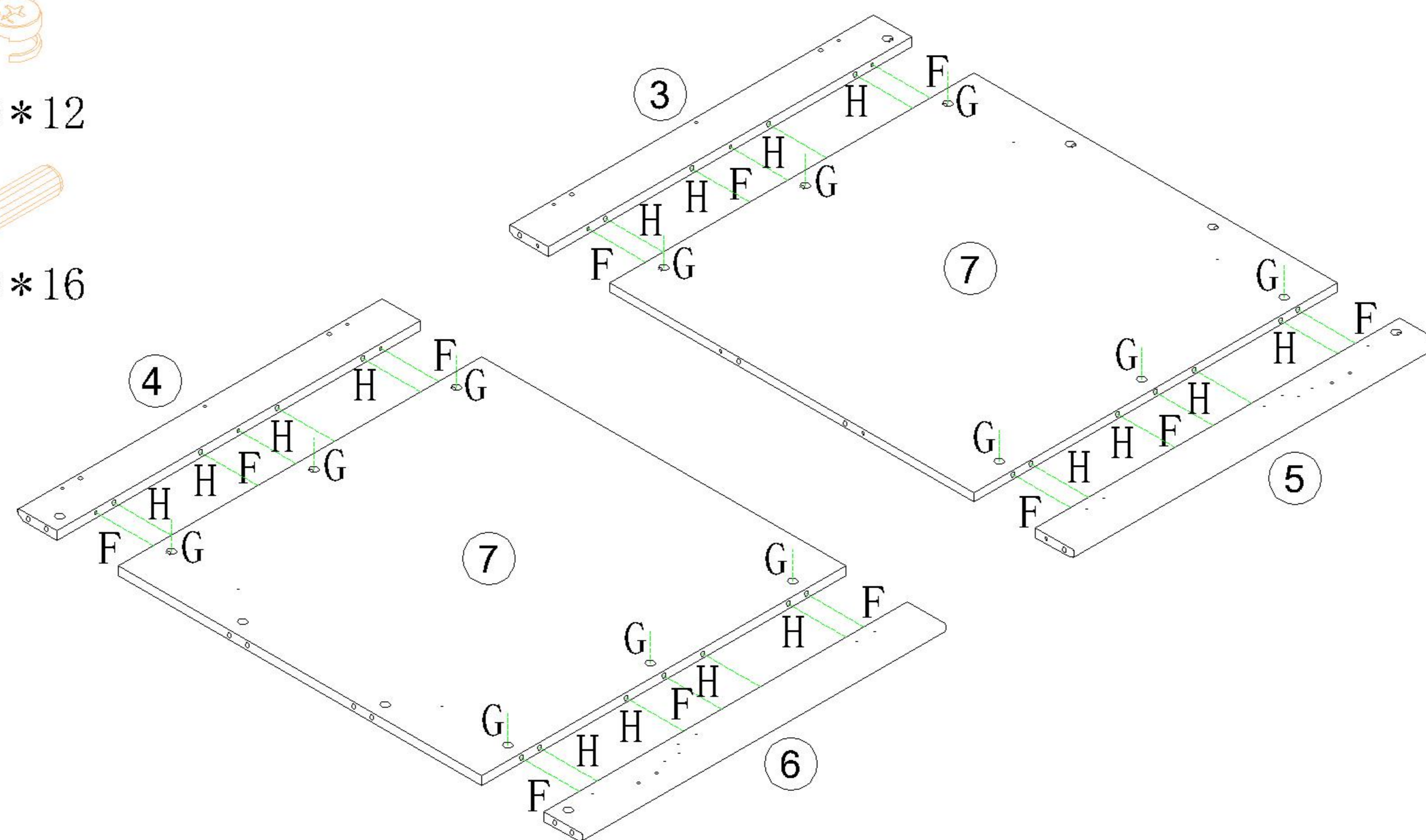
(F)\*12



(G)\*12



(H)\*16



5

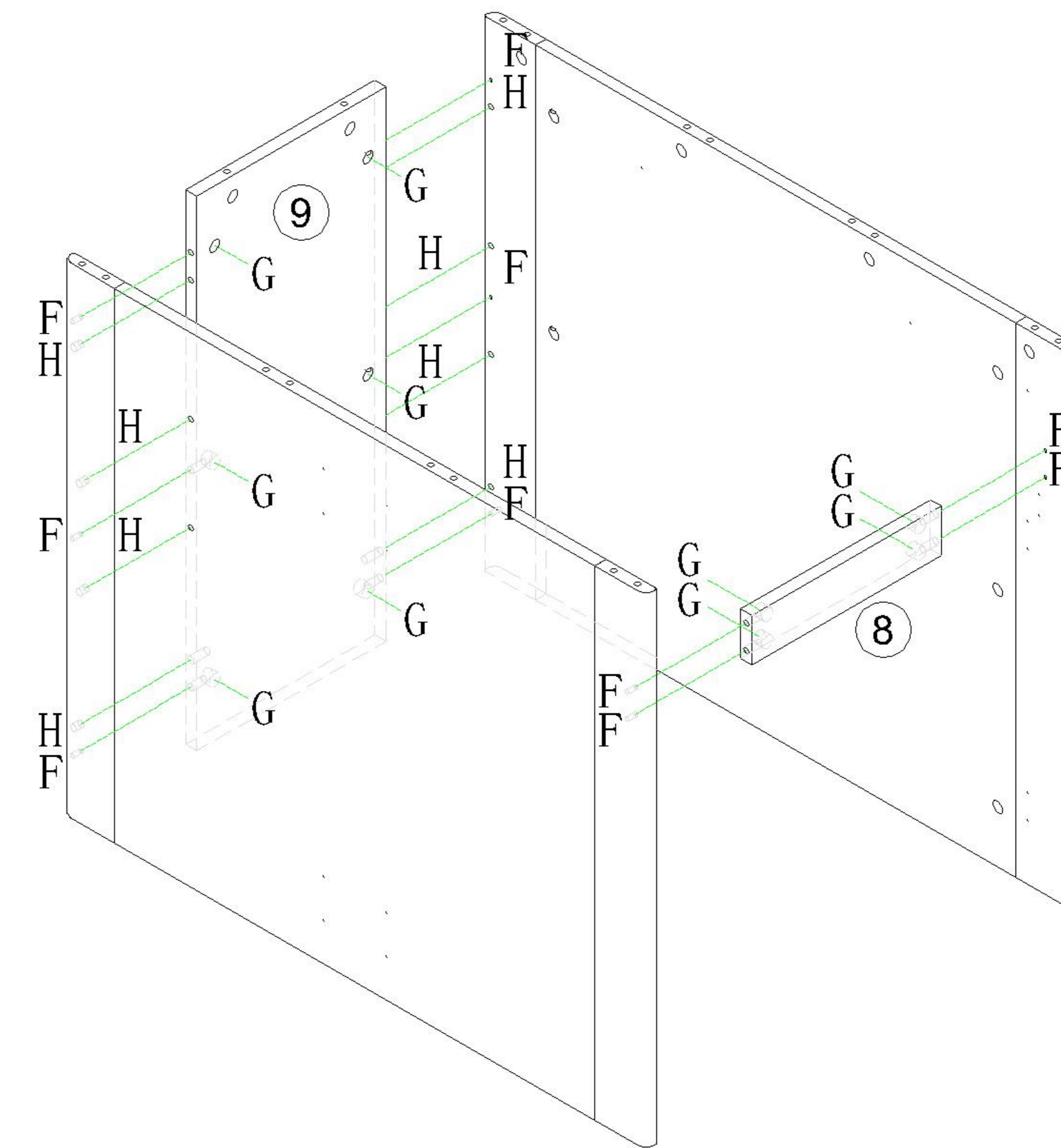
(F)\*10



(G)\*10



(H)\*8



6

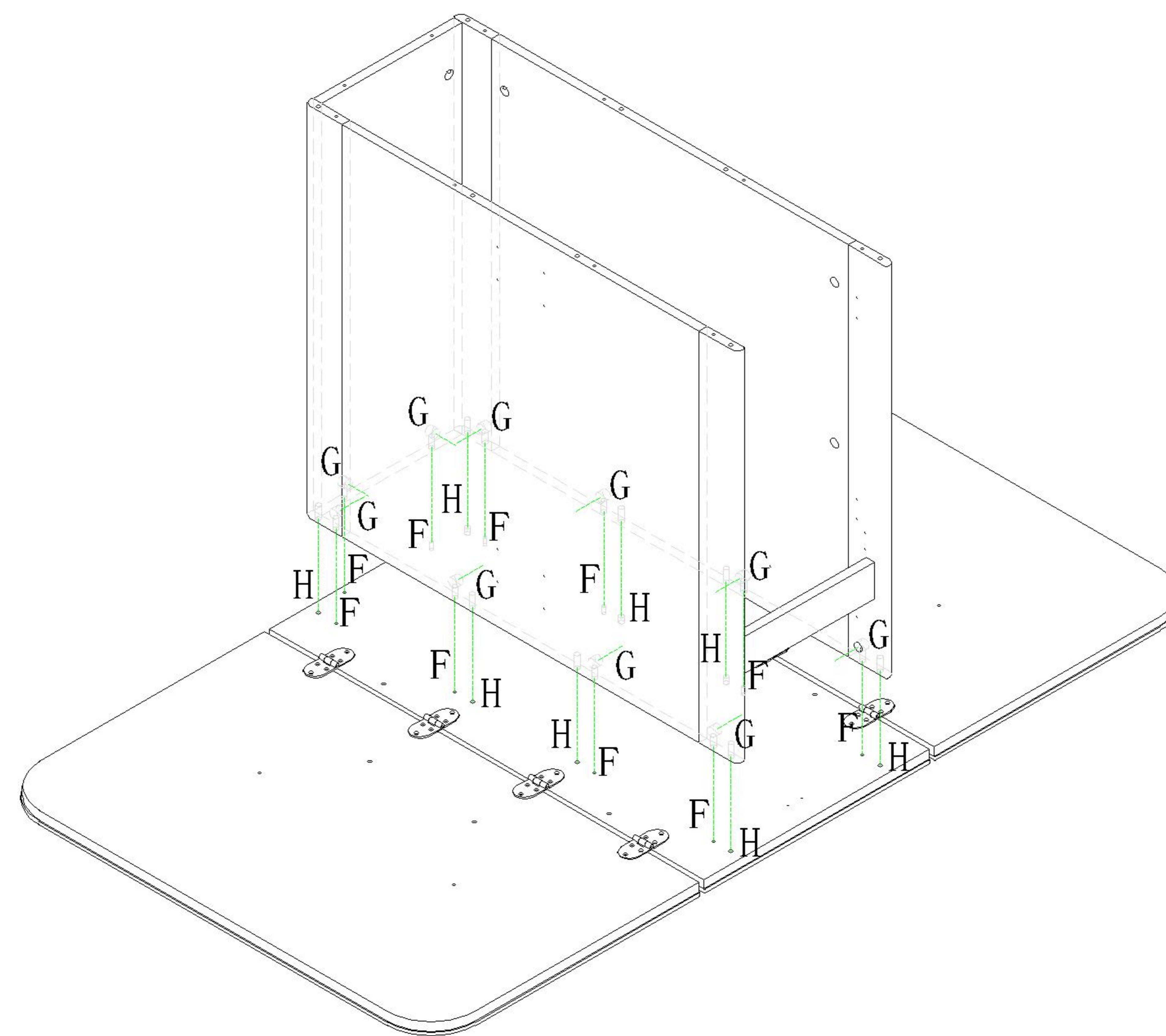
(F)\*10



(G)\*10



(H)\*8



7

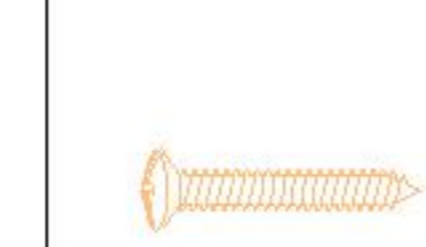
(A)\*8



(H)\*8



(O)\*1



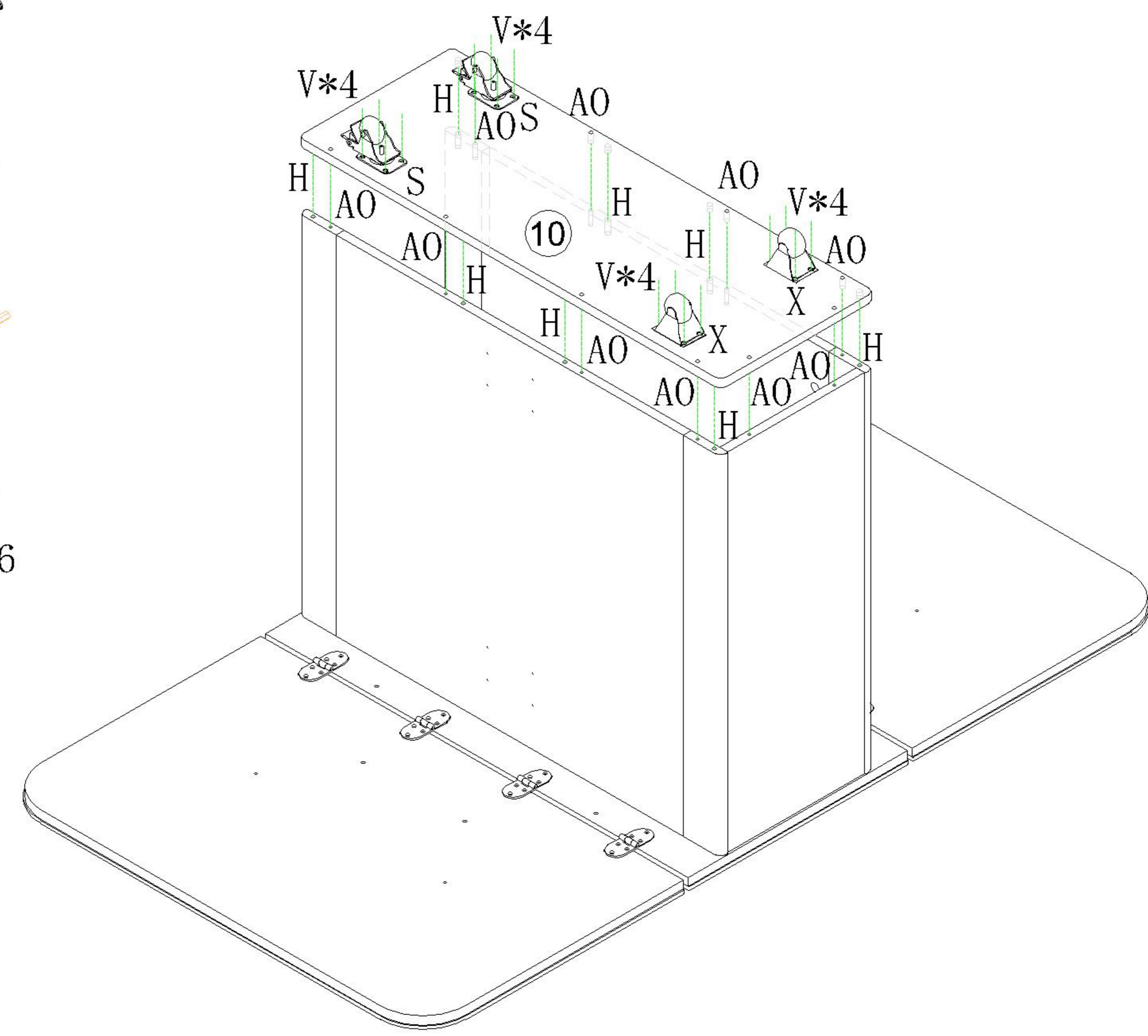
(V)\*16



(X)\*2



(S)\*2



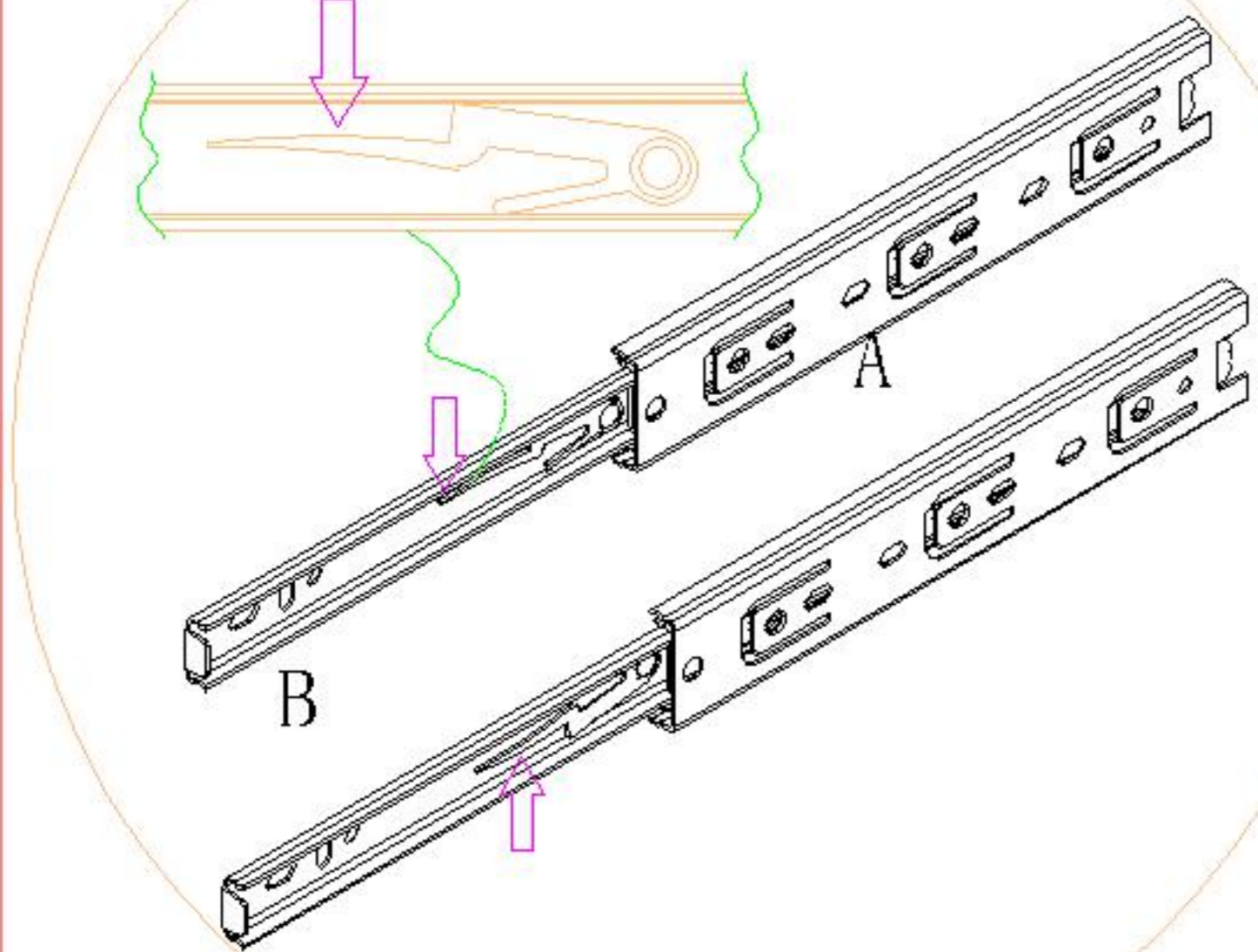
8

OU2R-A(岩板)

### 安装方法/ Installation method

阀门开关(下压为开)  
Valve switch  
(press down to open)

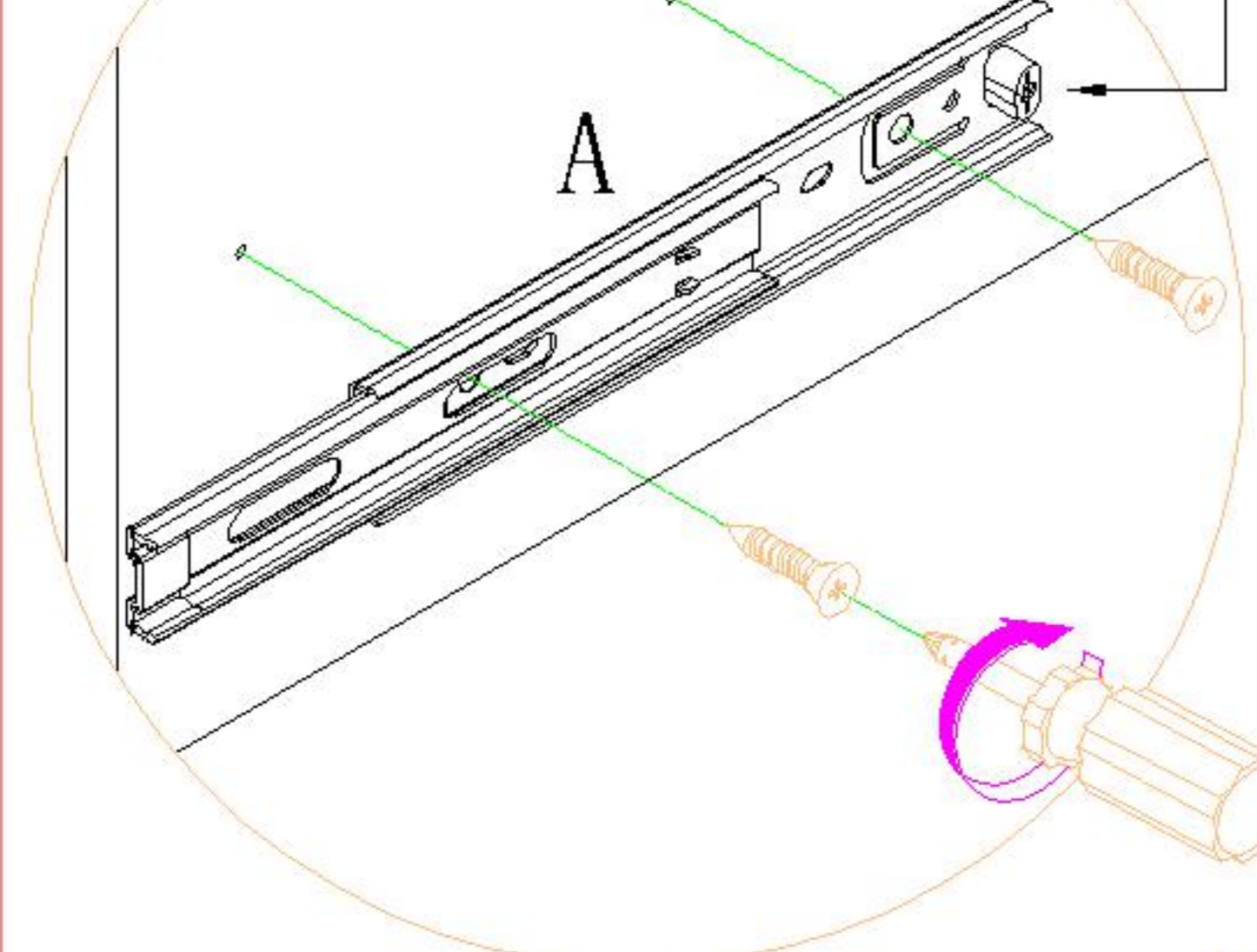
1



注: 先将A与B拆下来  
Note: remove a and B first

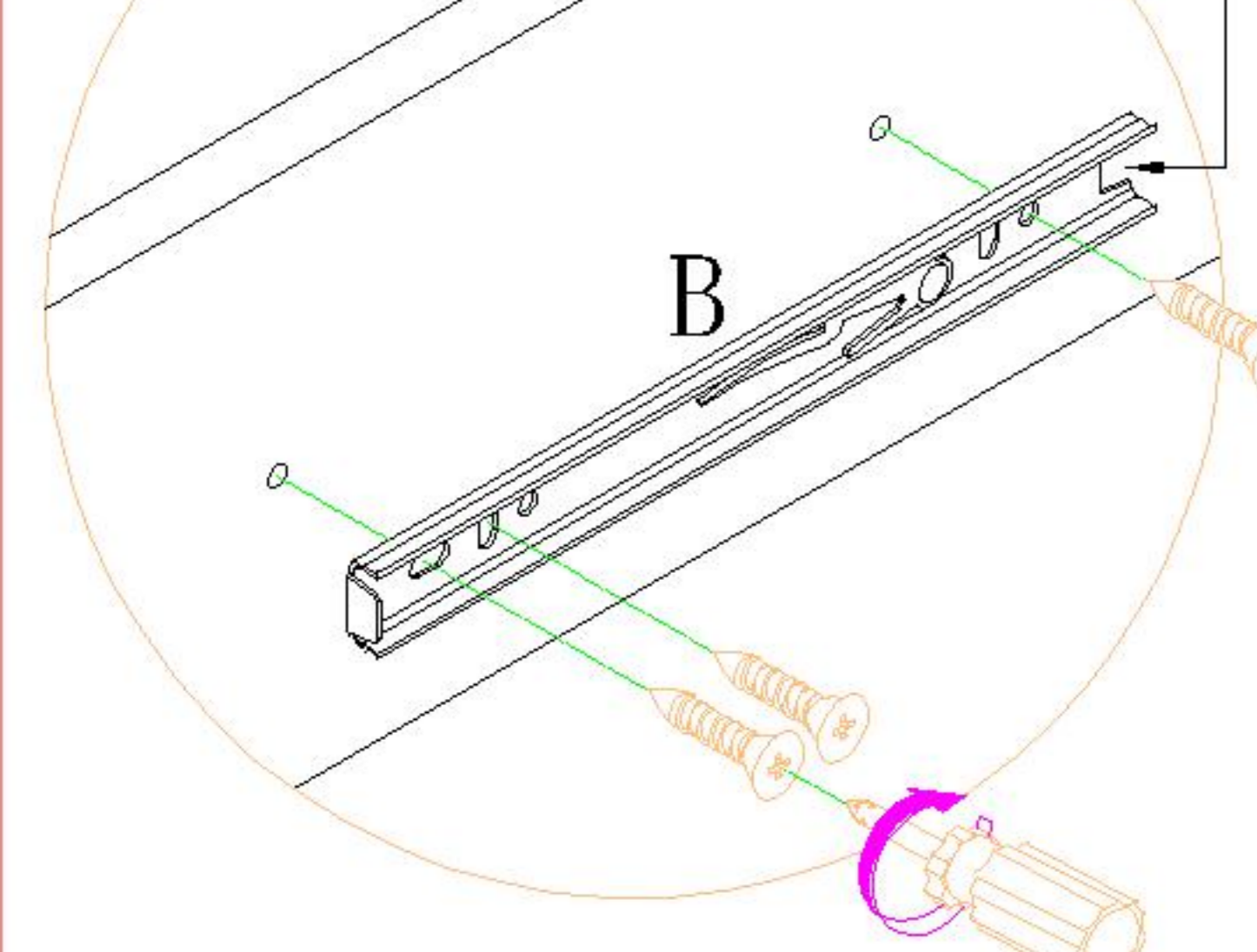
侧板  
side board

2

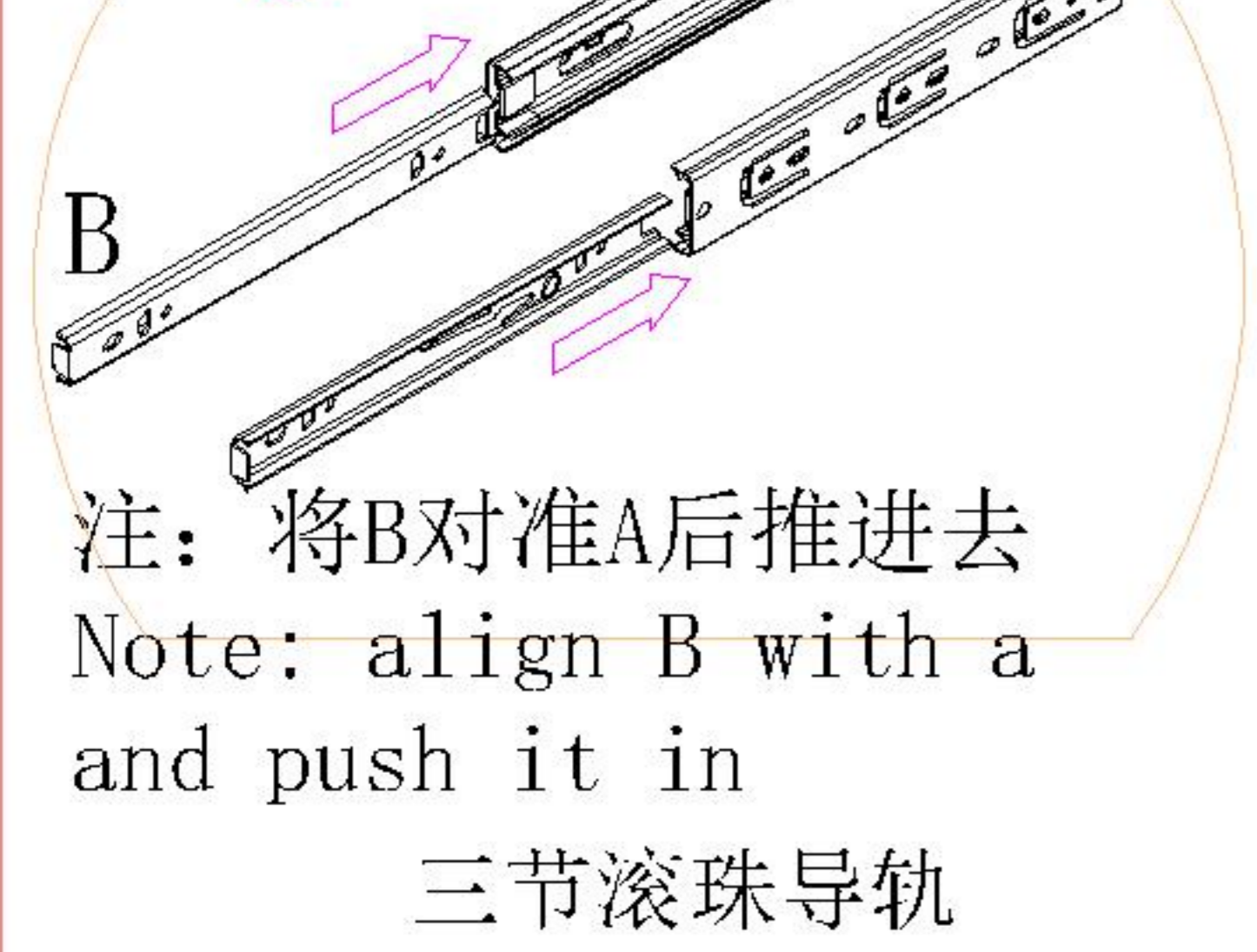


抽屉侧板  
sideboard  
of the drawer

3



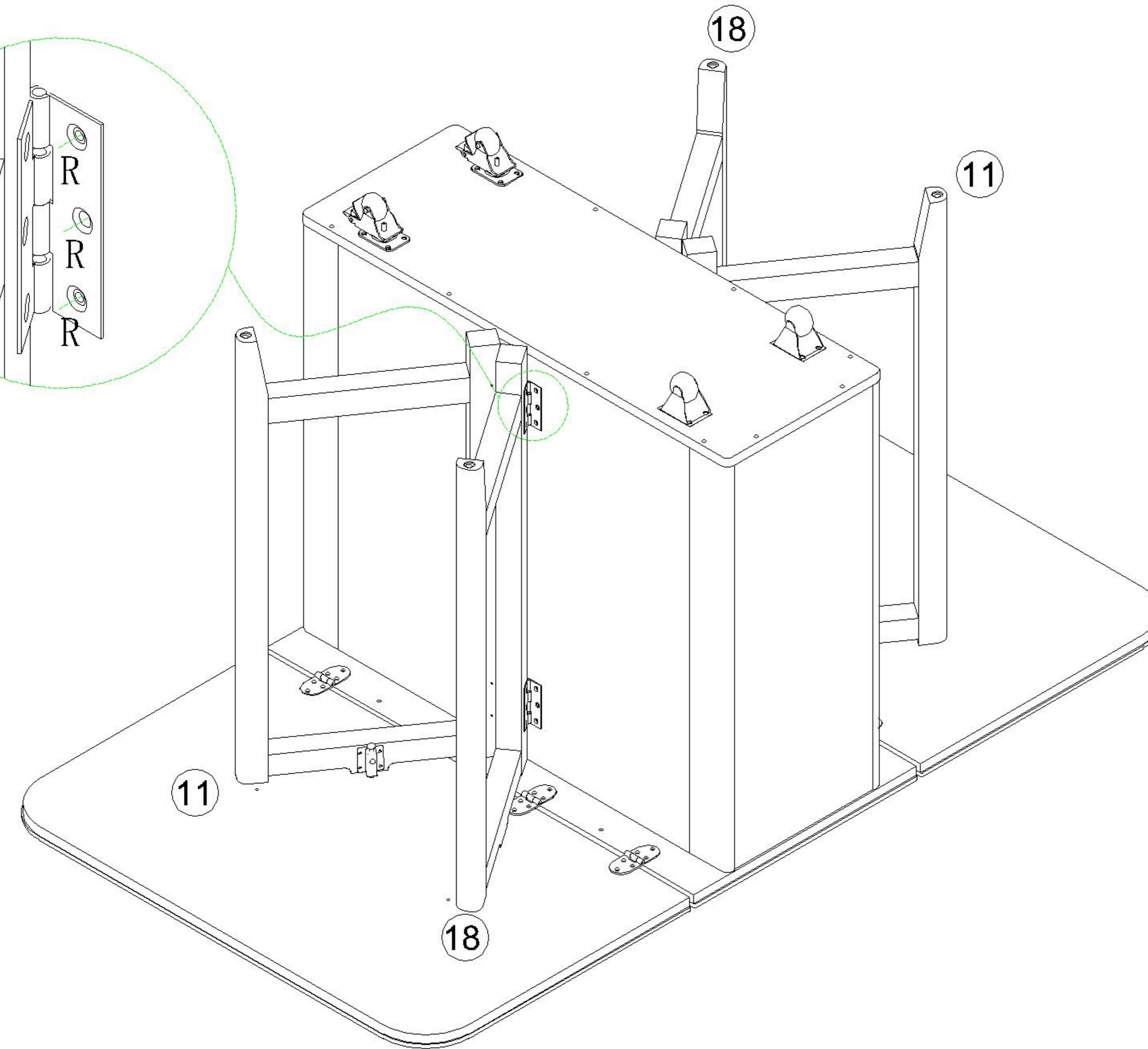
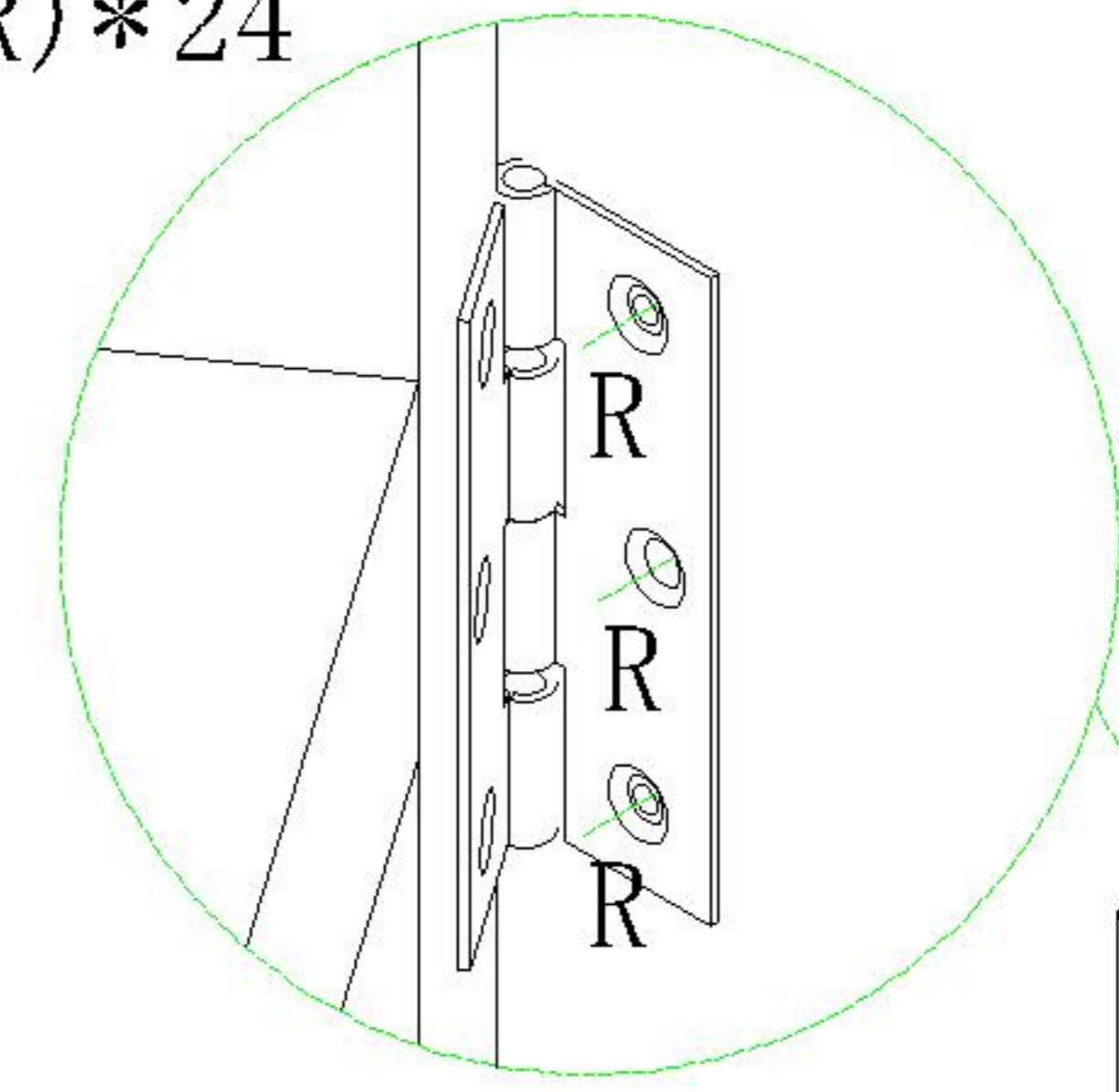
5



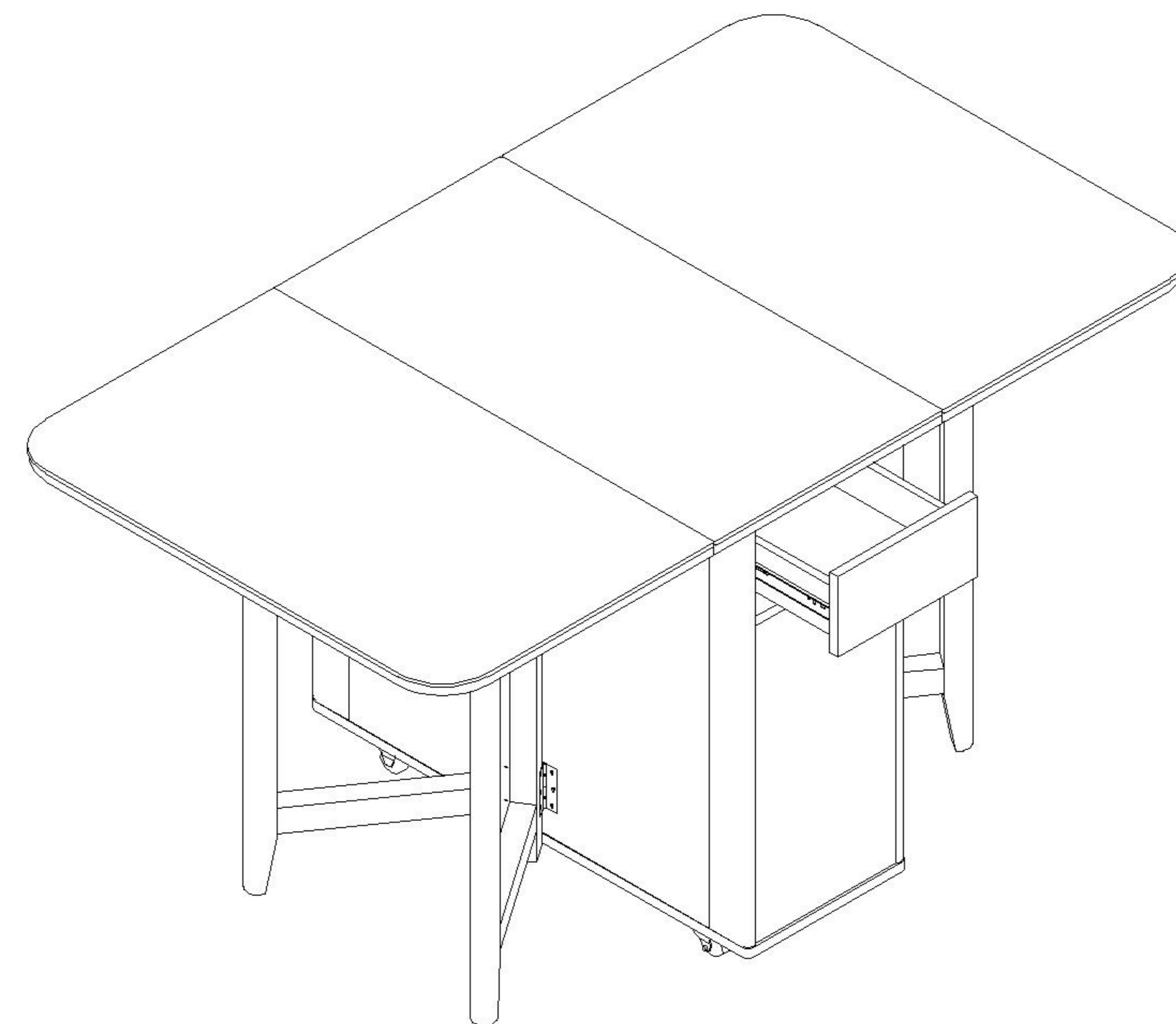
注: 将B对准A后推进去  
Note: align B with a  
and push it in

三节滚珠导轨  
three-section ball rail

(R)\*24



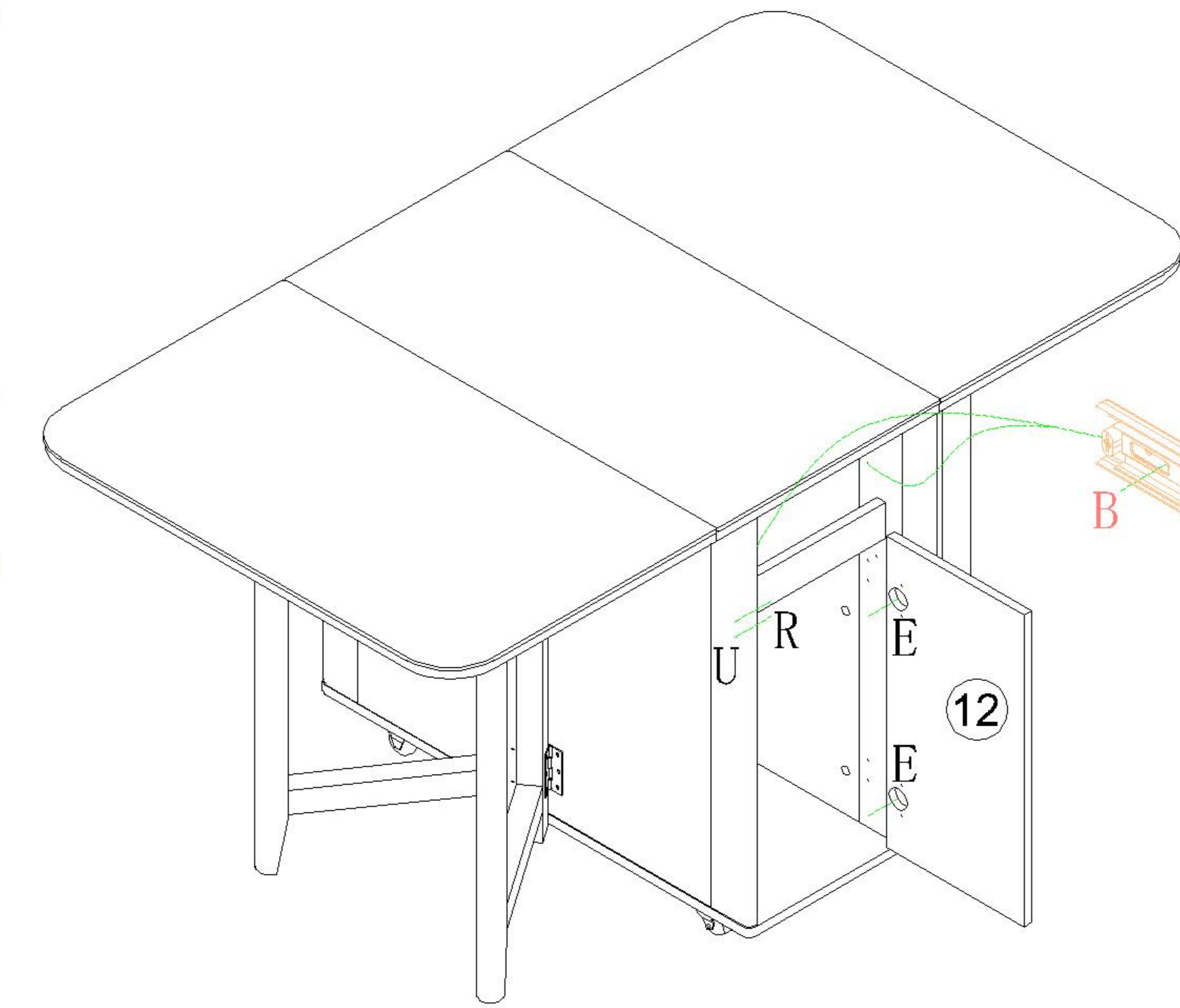
11



11

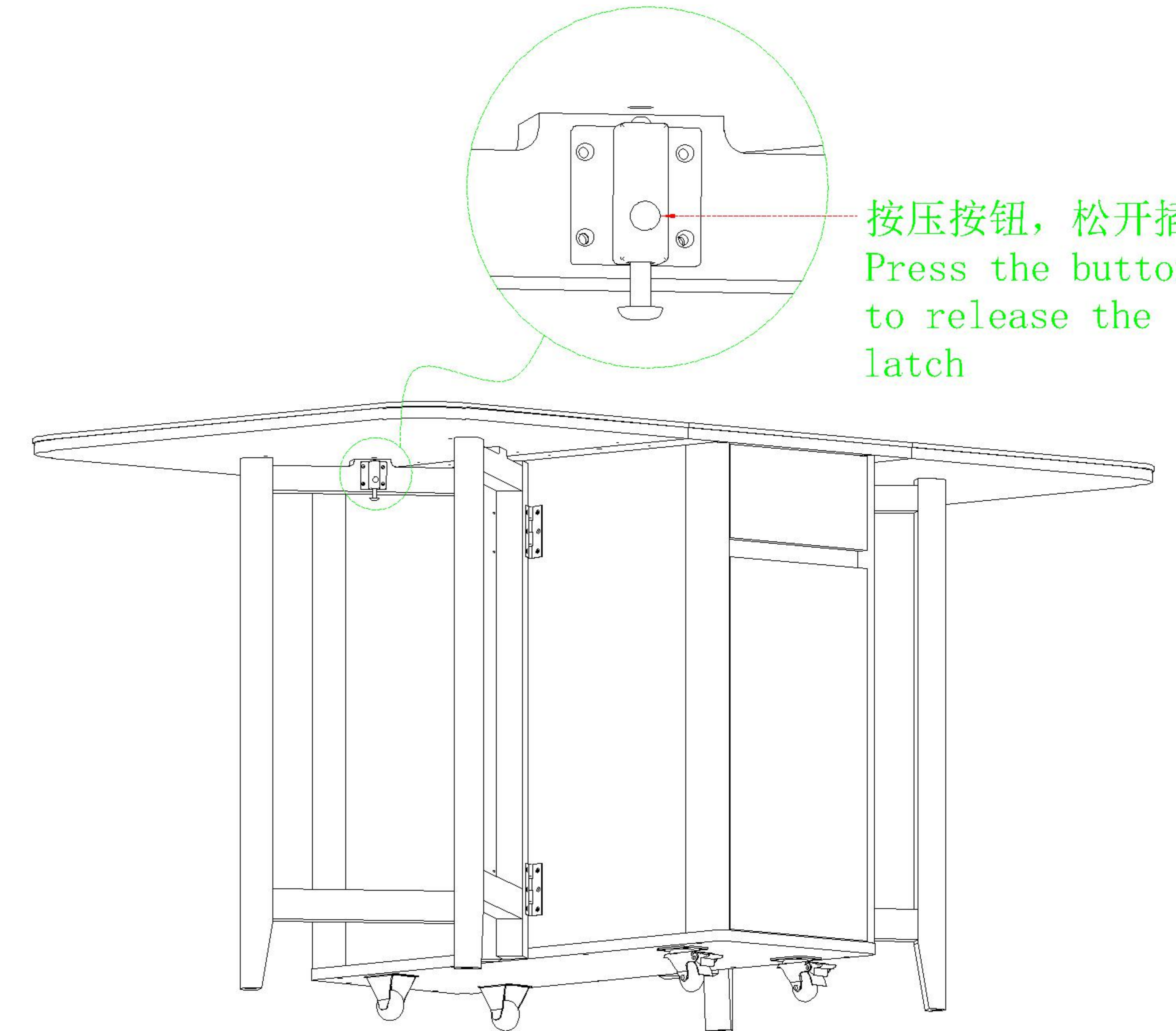
9

- (B)\*6
- (E)\*2
- (R)\*2
- (U)\*1
- (W)\*1



W 主轨  
Main rail

12



按压按钮, 松开插销  
Press the button  
to release the  
latch

12

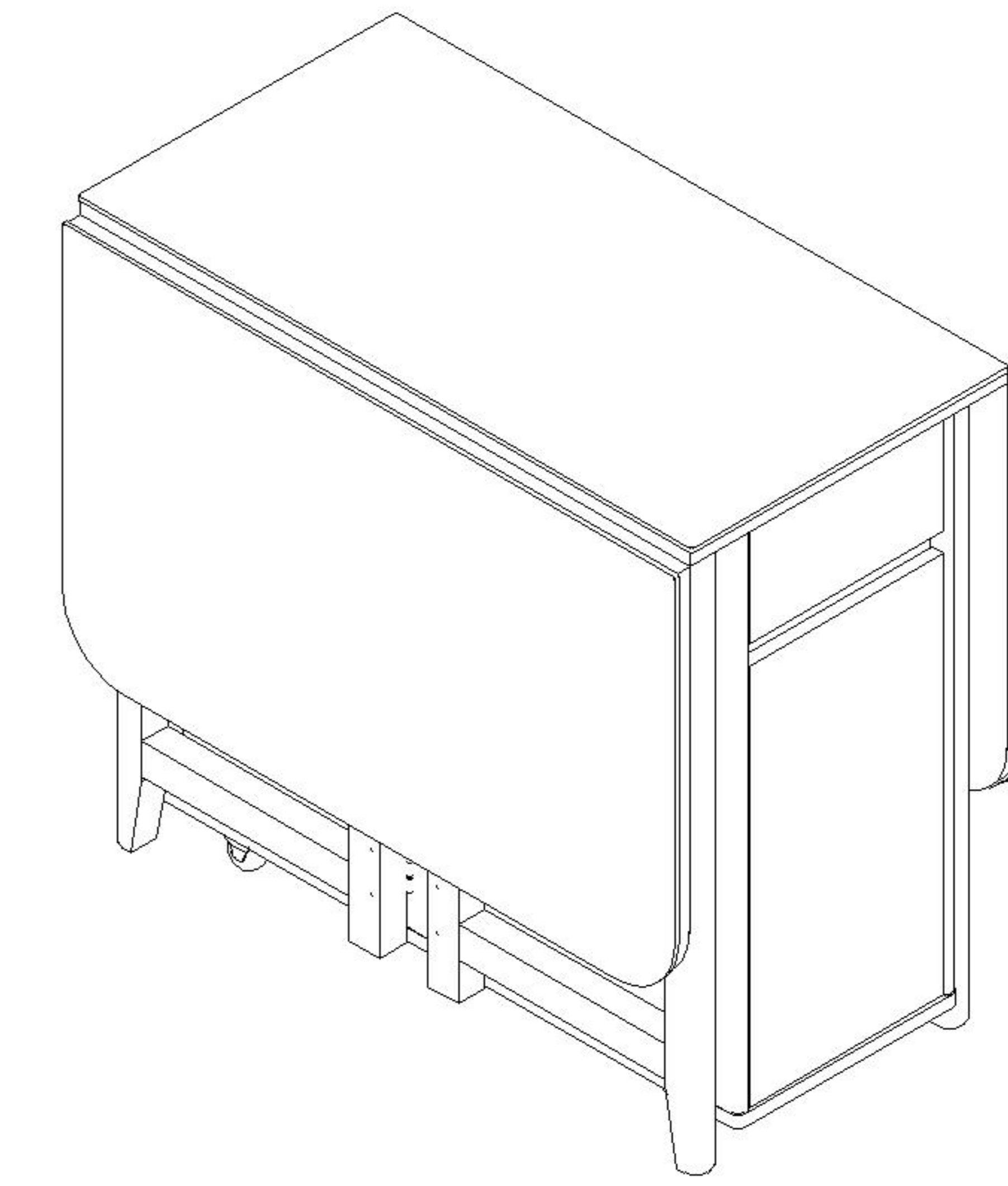
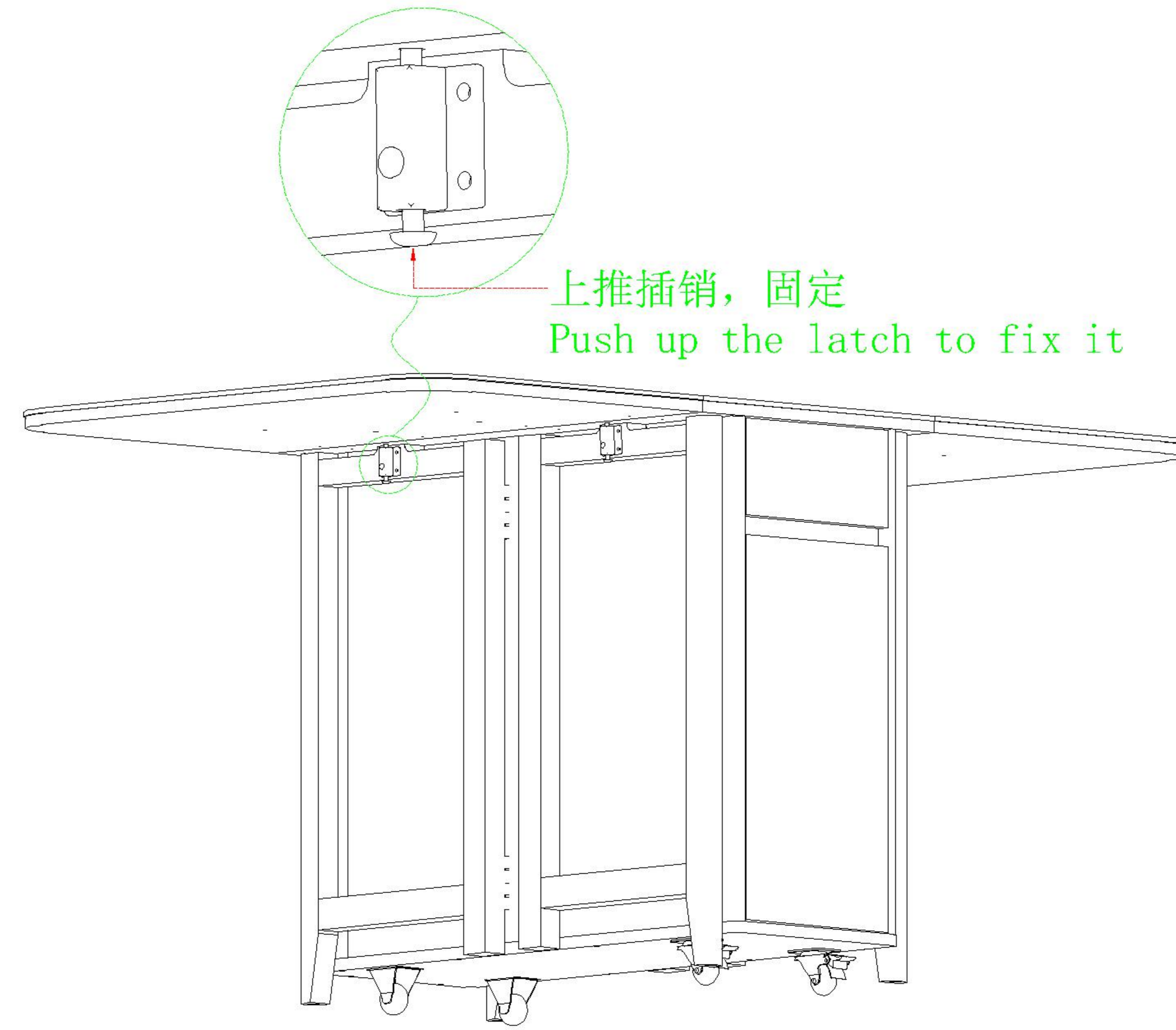
10

OU2R-A(岩板)

13

14

安装方法/  
Installation method



15

16