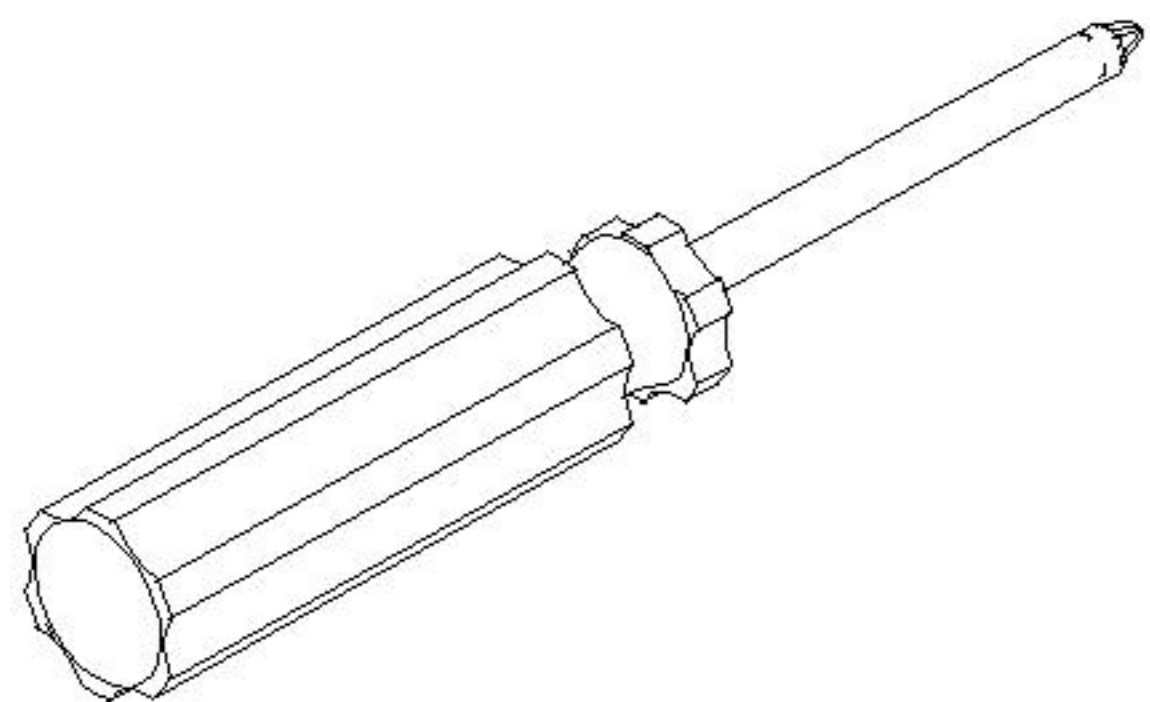
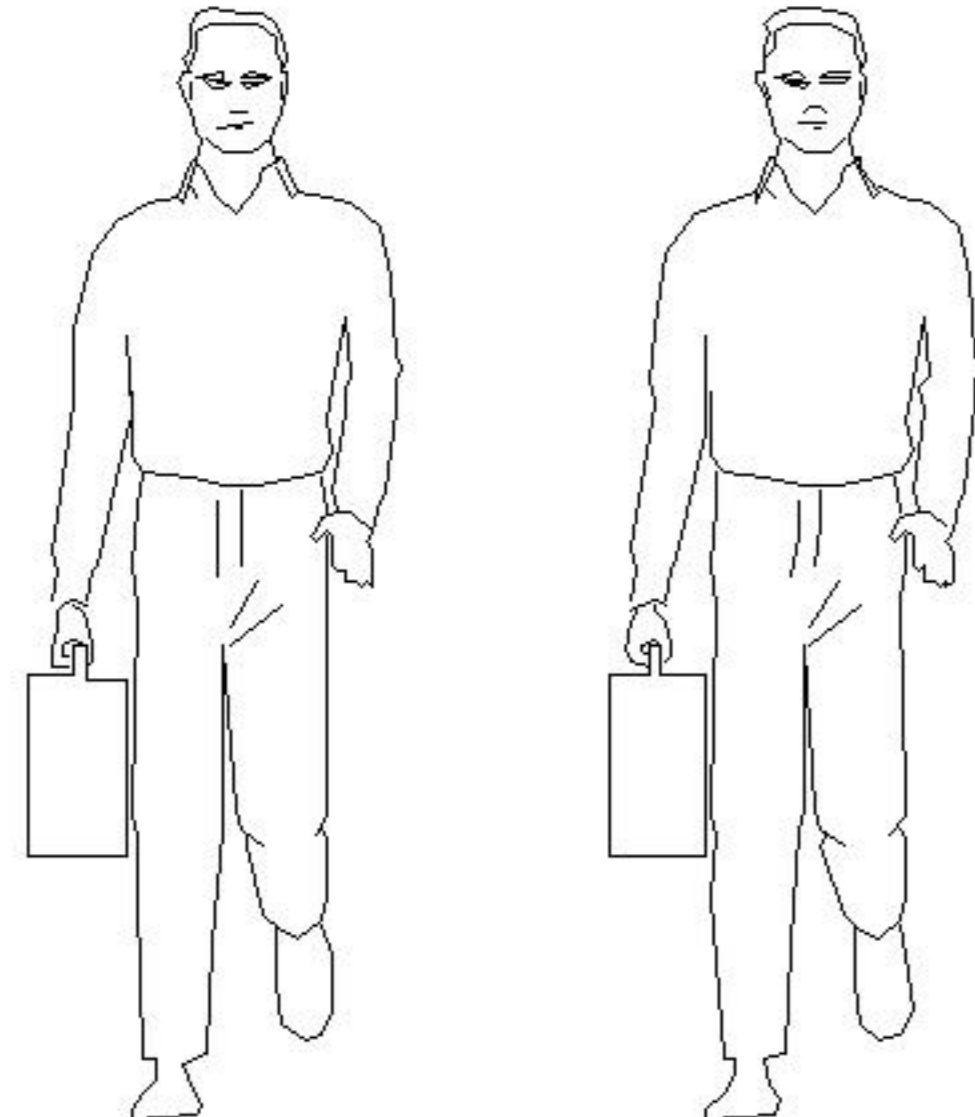


LINSY 林氏家居

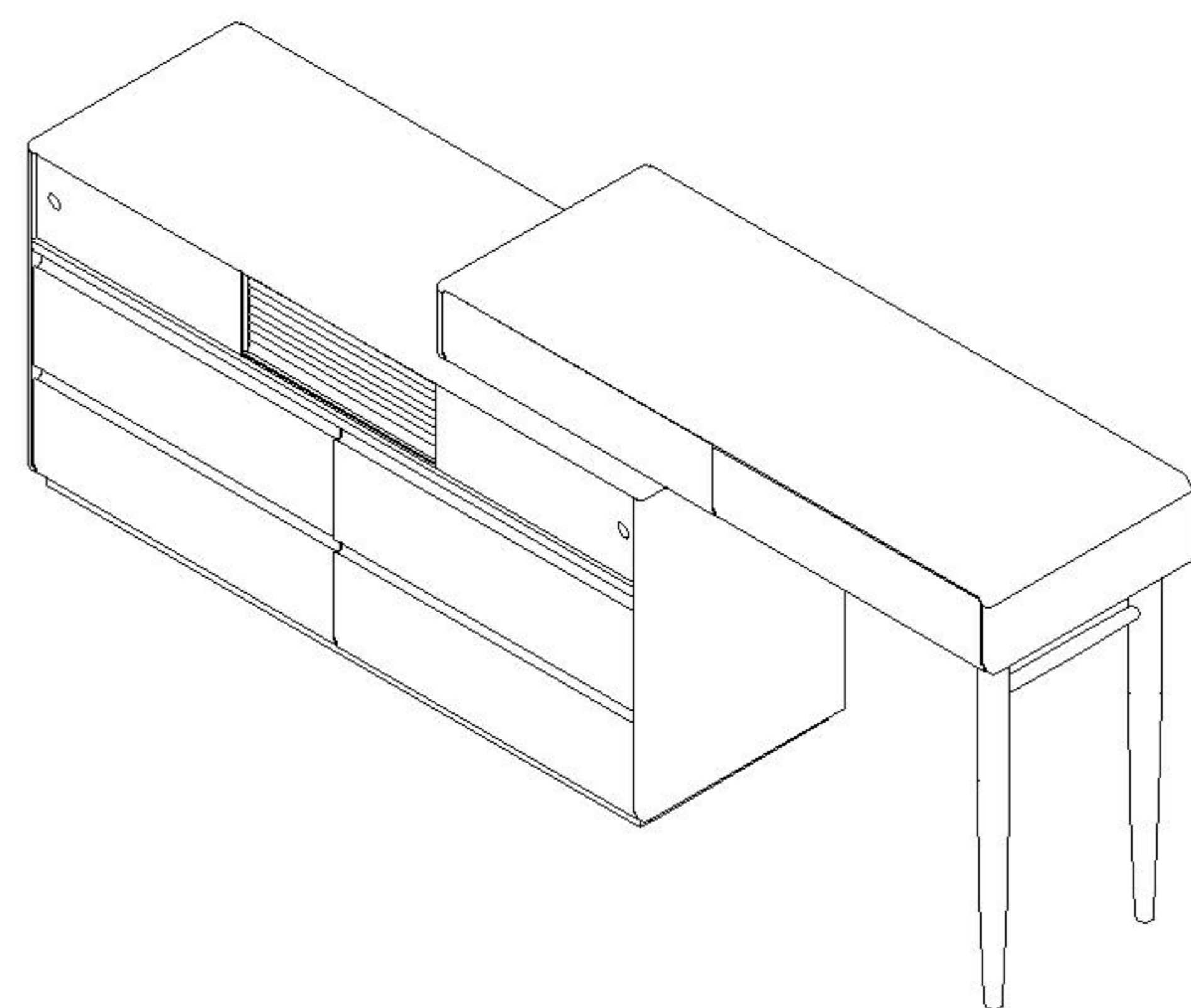
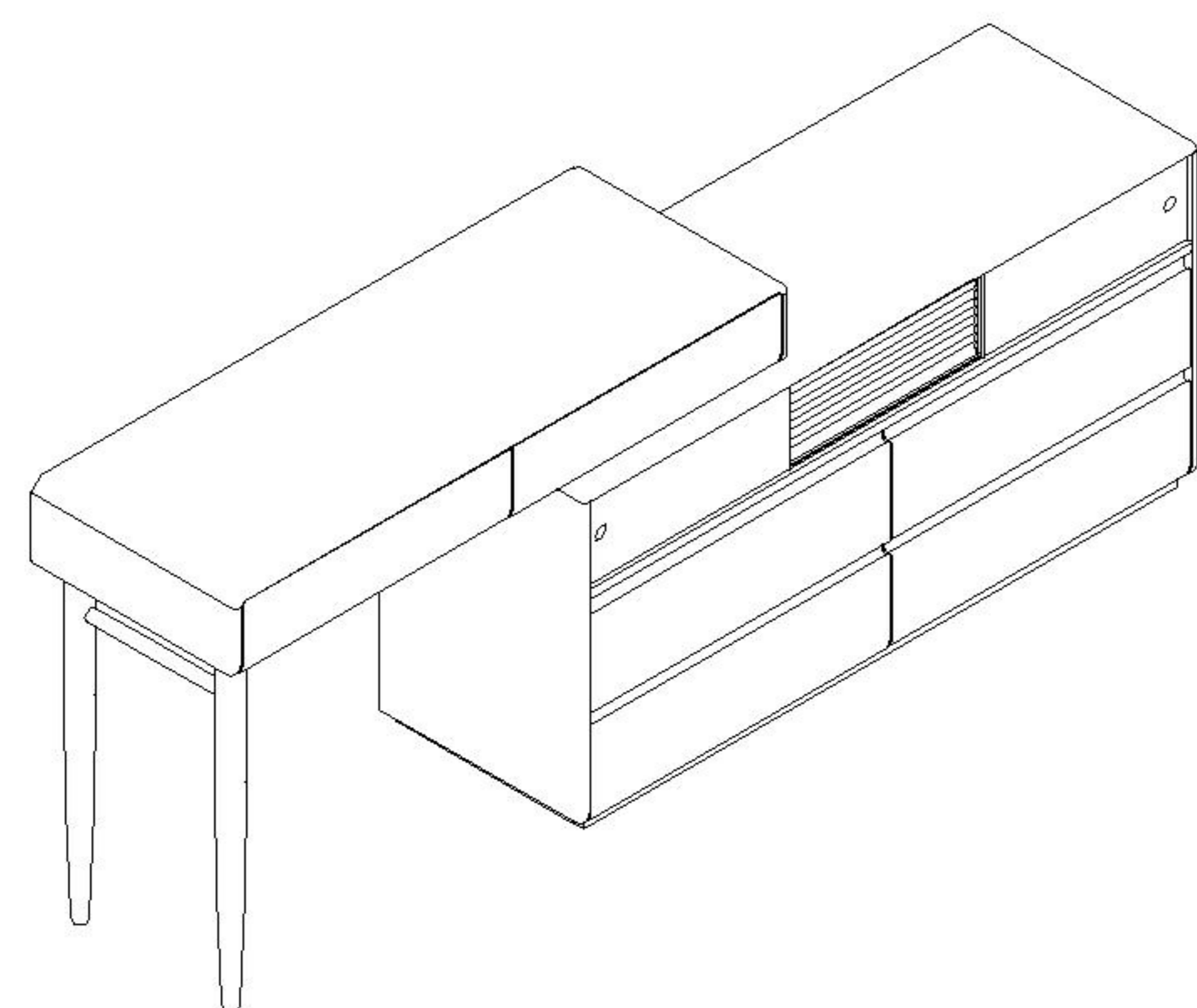
五金表/Hardware list

部件表/Parts List

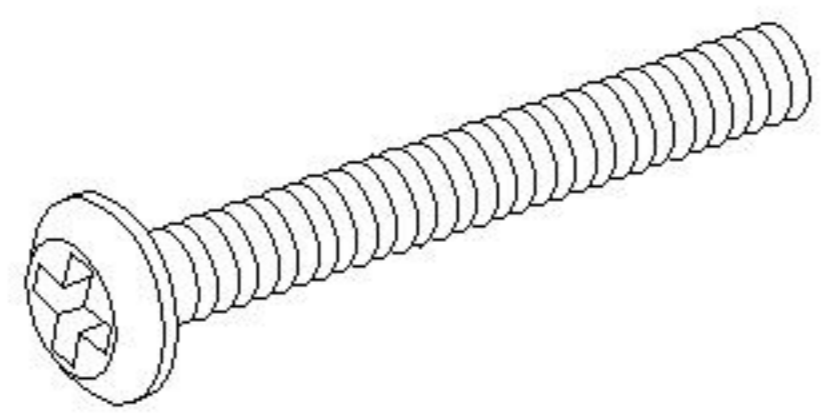
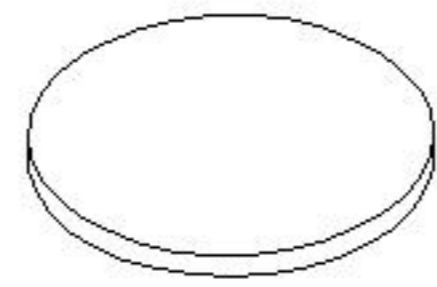
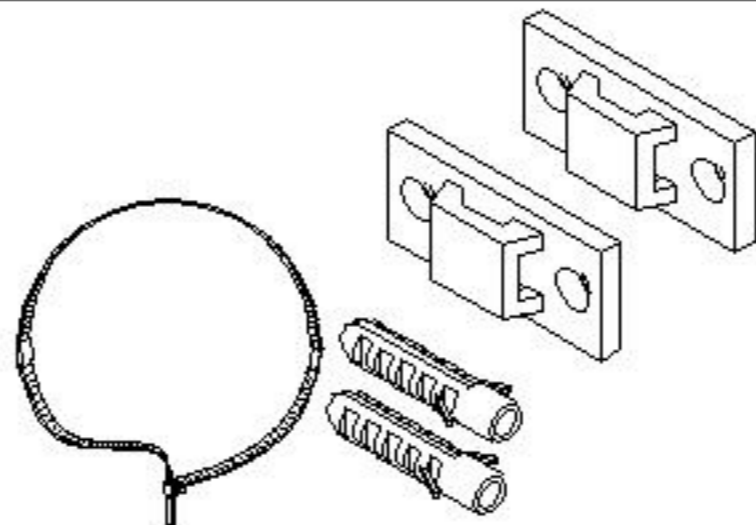
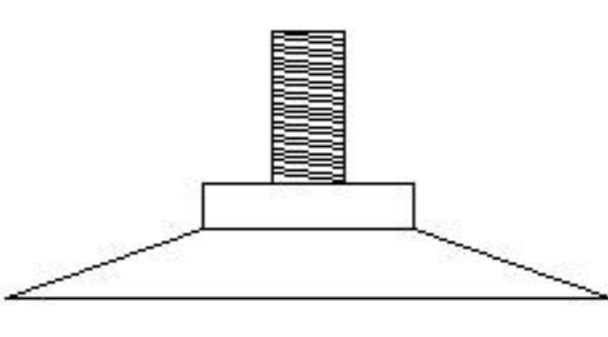
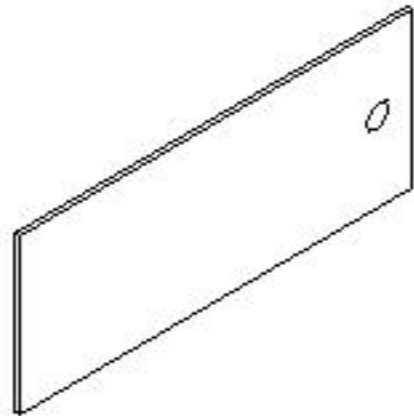

安装示意图/Assembly Instruction

产品名称 Model NO.	LH261C2-A
产品规格 Specification	2000~1295*400*751mm
安装工具 Tool	安装人数 Installer
	

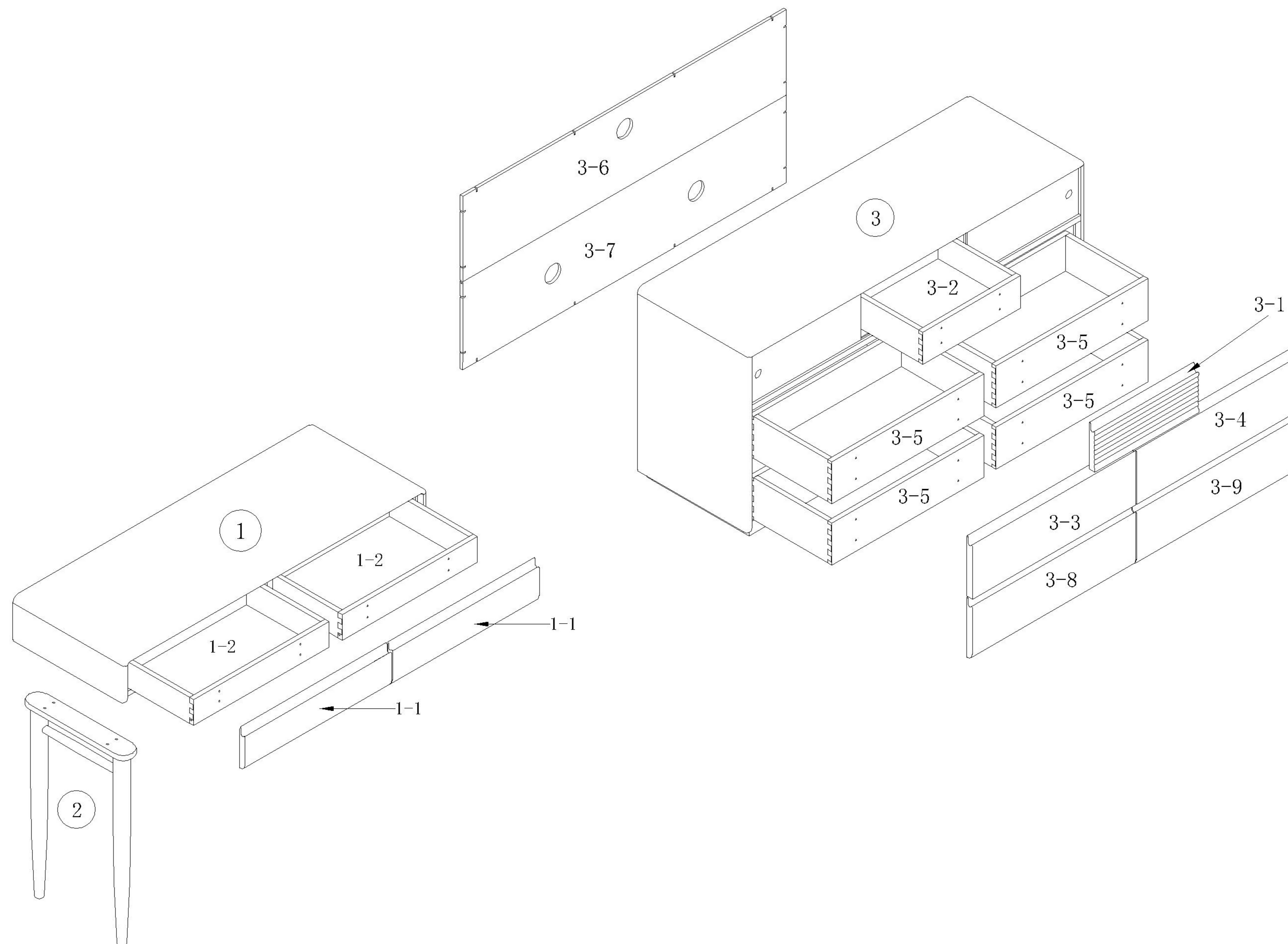
注：为保证设计效果，部分尺寸为定制尺寸，不影响使用。



可左右互换安装
Left and right interchangeable installation

 (A)* 4 斜边十字螺杆-M8x30 bevel cross screw	 (B)* 16 脚垫-灰色 Footrest - Grey	 (C)* 1 家具防倒器-白色 Anti-fall device white	 (D)* 2 吸盘 sucker
 (E)* 2 门板玻璃 Door panel glass	 (F)* 2 拉手 Handle		

编号NO.	名称Name	规格(MM) Specification	数量QTY	材质Material
①	柜体cabinet	1082*400*155	1	红橡木+桐木+松木 Red oak+paulownia+Pine wood
1-1	上抽屉面板Upper drawer's panel	525*141*20	2	红橡木 Red oak
1-2	上抽屉组立Upper drawer assembly	484*320*78	2	桐木 paulownia
②	脚框Foot frame	593*370*65	1	红橡木 Red oak
③	附柜Attached cabinet	1202*400*585	1	红橡木+桐木+松木 Red oak+paulownia+Pine wood
3-1	中抽屉面板Drawer's middle board	378*144*20	1	红橡木 Red oak
3-2	中抽屉组立Middle drawer assembly	356*320*110	1	桐木 paulownia
3-3	中下抽屉左面板Left panel of lower drawer	585*185*20	1	红橡木 Red oak
3-4	中下抽屉右面板Lower drawer right panel	585*185*20	1	红橡木 Red oak
3-5	下抽屉组立Lower drawer assembly	544*320*110	4	桐木 paulownia
3-6	上背板 Upper back panel	1158*272*9	1	桐木 paulownia
3-7	下背板 Lower back panel	1158*272*9	1	桐木 paulownia
3-8	下抽屉左面板Left panel of lower drawer	585*185*20	1	红橡木 Red oak
3-9	下抽屉右面板Lower drawer right panel	585*185*20	1	红橡木 Red oak



编号NO.	名称Name
①	柜体cabinet
1-1	上抽屉面板Upper drawer's panel
1-2	上抽屉组立Upper drawer assembly
②	脚框Foot frame
③	附柜Attached cabinet
3-1	中抽屉面板Drawer's middle board
3-2	中抽屉组立Middle drawer assembly
3-3	中下抽屉左面板Left panel of lower drawer
3-4	中下抽屉右面板Lower drawer right panel
3-5	下抽屉组立Lower drawer assembly
3-6	上背板 Upper back panel
3-7	下背板 Lower back panel
3-8	下抽屉左面板Left panel of lower drawer
3-9	下抽屉右面板Lower drawer right panel

LH261C2-A

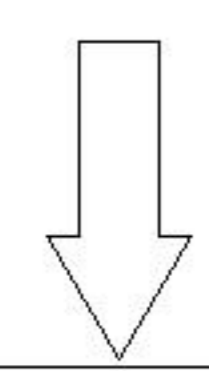
安装方法/

Installation method

阀门开关(下压为开)

Valve switch (press down to open)

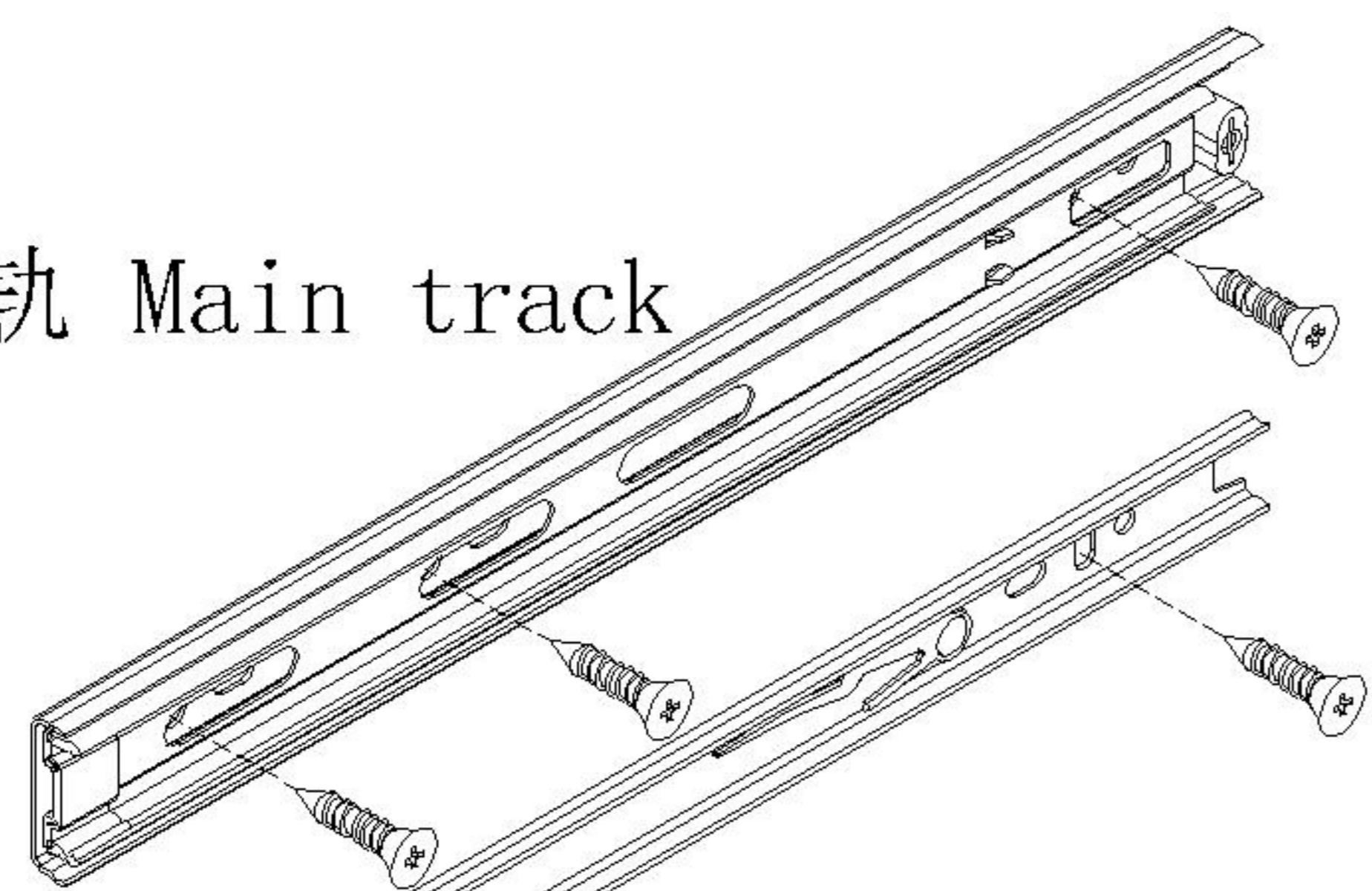
前 Forward



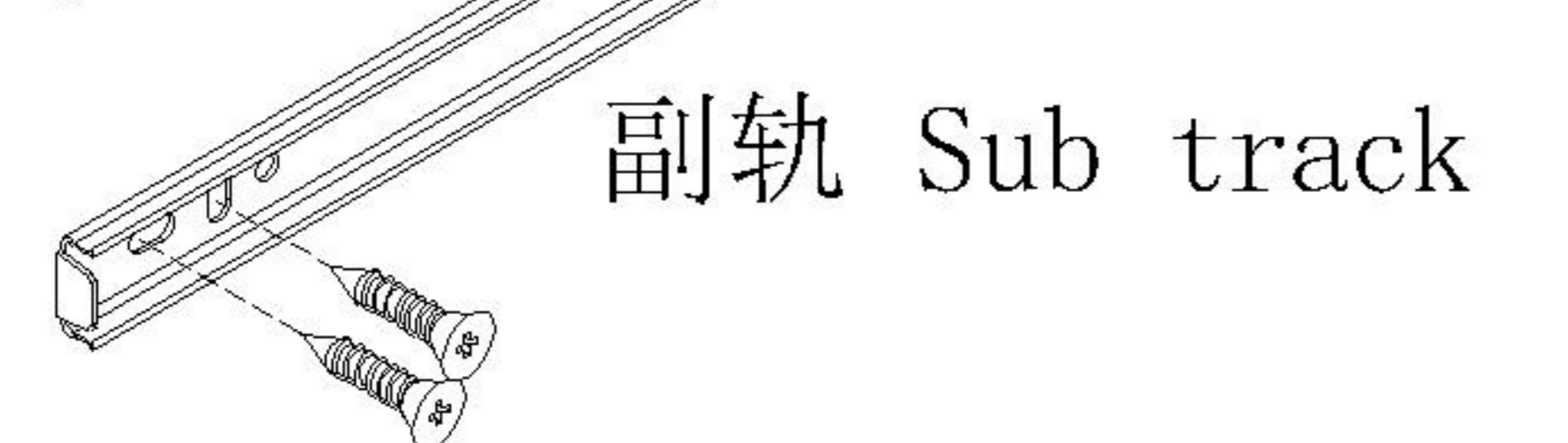
后 Back



主轨 Main track

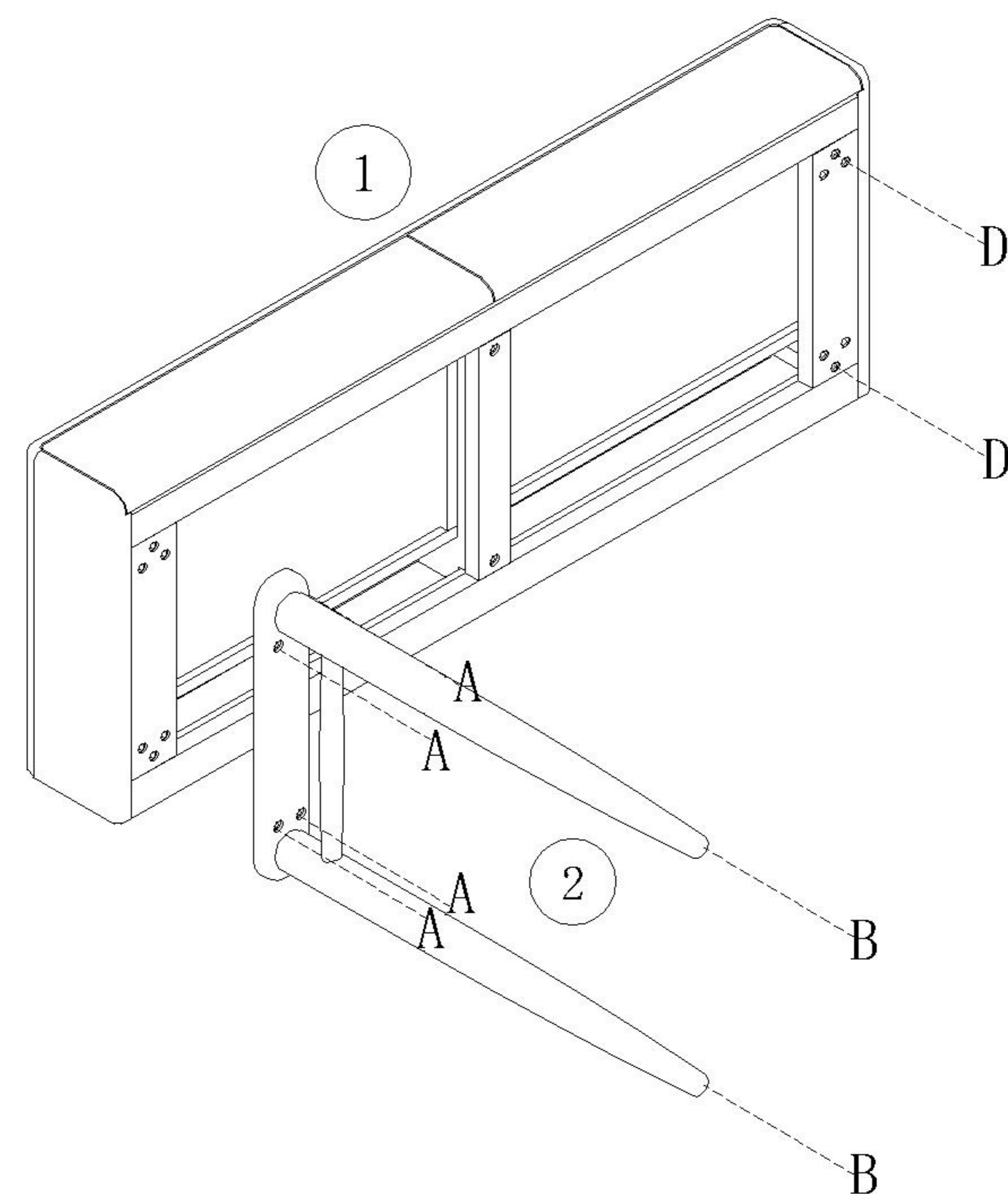


副轨 Sub track

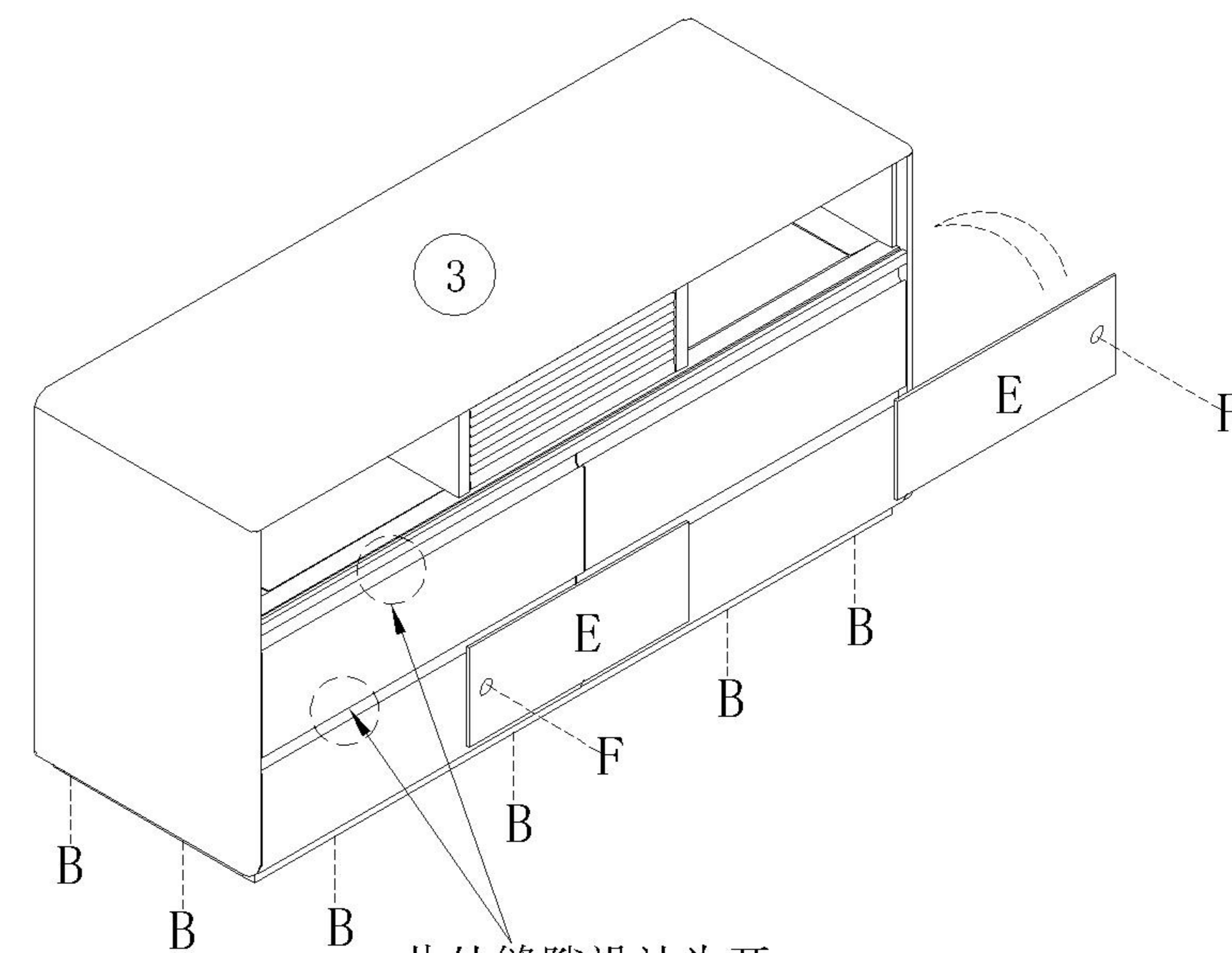


三节滚珠导轨
Three-section rail

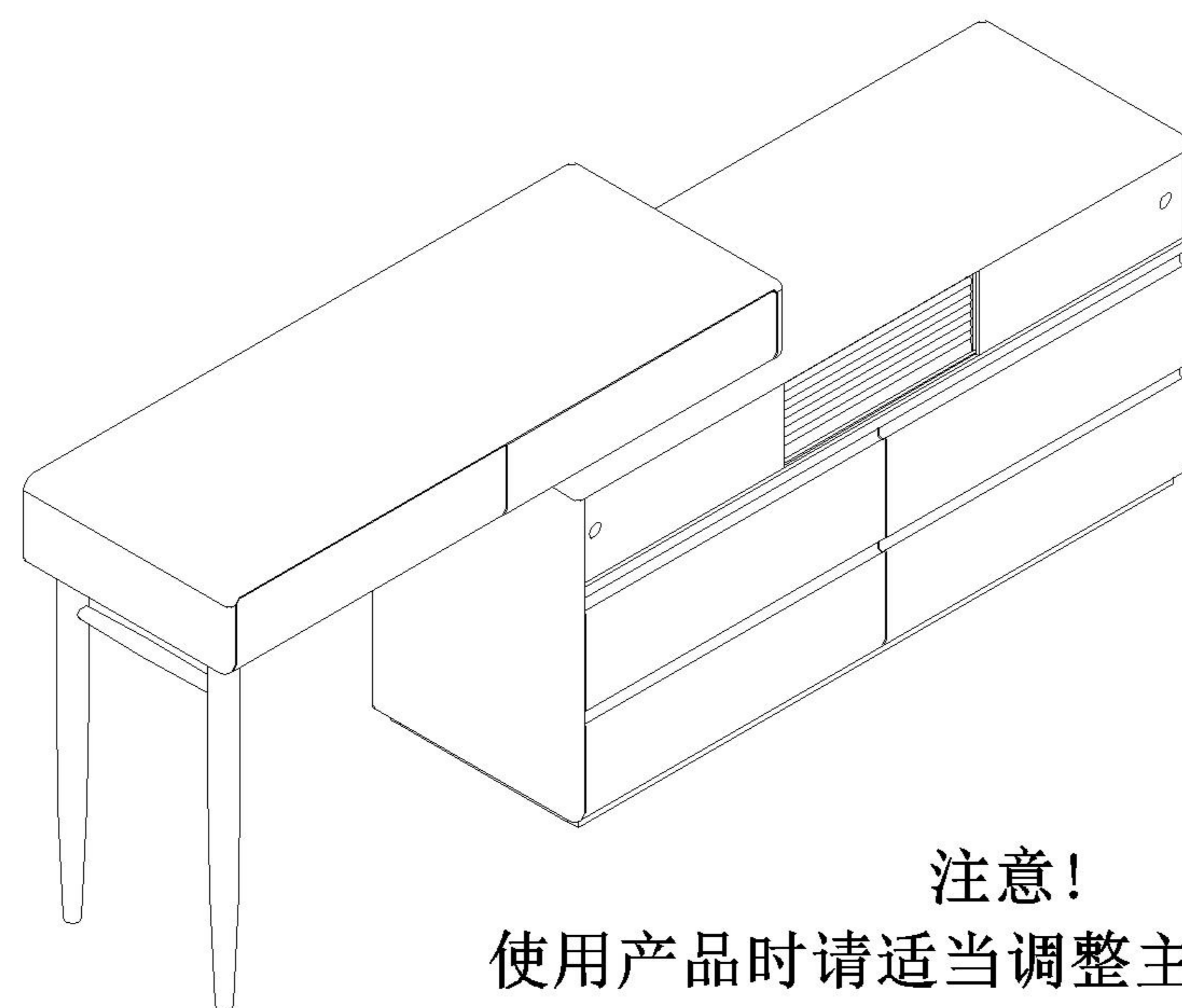
- (A)*4
- (D)*2
- (B)*2



- (E)*2
- (B)*14
- (F)*2



此处缝隙设计为开启抽屉、使用
小心夹伤
The gap here is designed as:
Open drawer and door panel for use
Beware of pinching



注意!
使用产品时请适当调整主柜与边柜组合间距离, 单独放置会有倾倒的风险。
Attention! Please adjust the distance between the main cabinet and the side cabinet when using the product, as there is a risk of tipping when placed separately

- (C)*1

