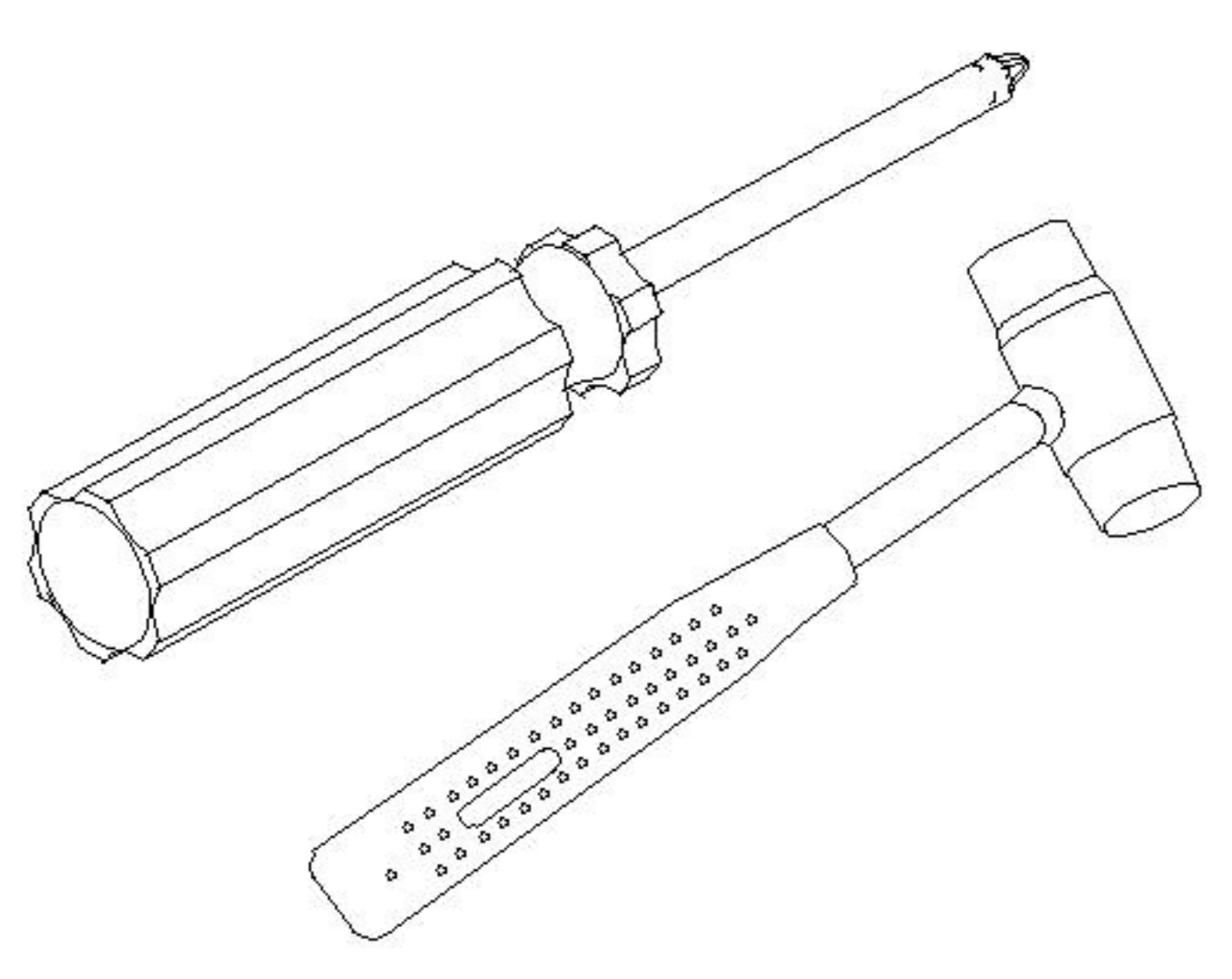
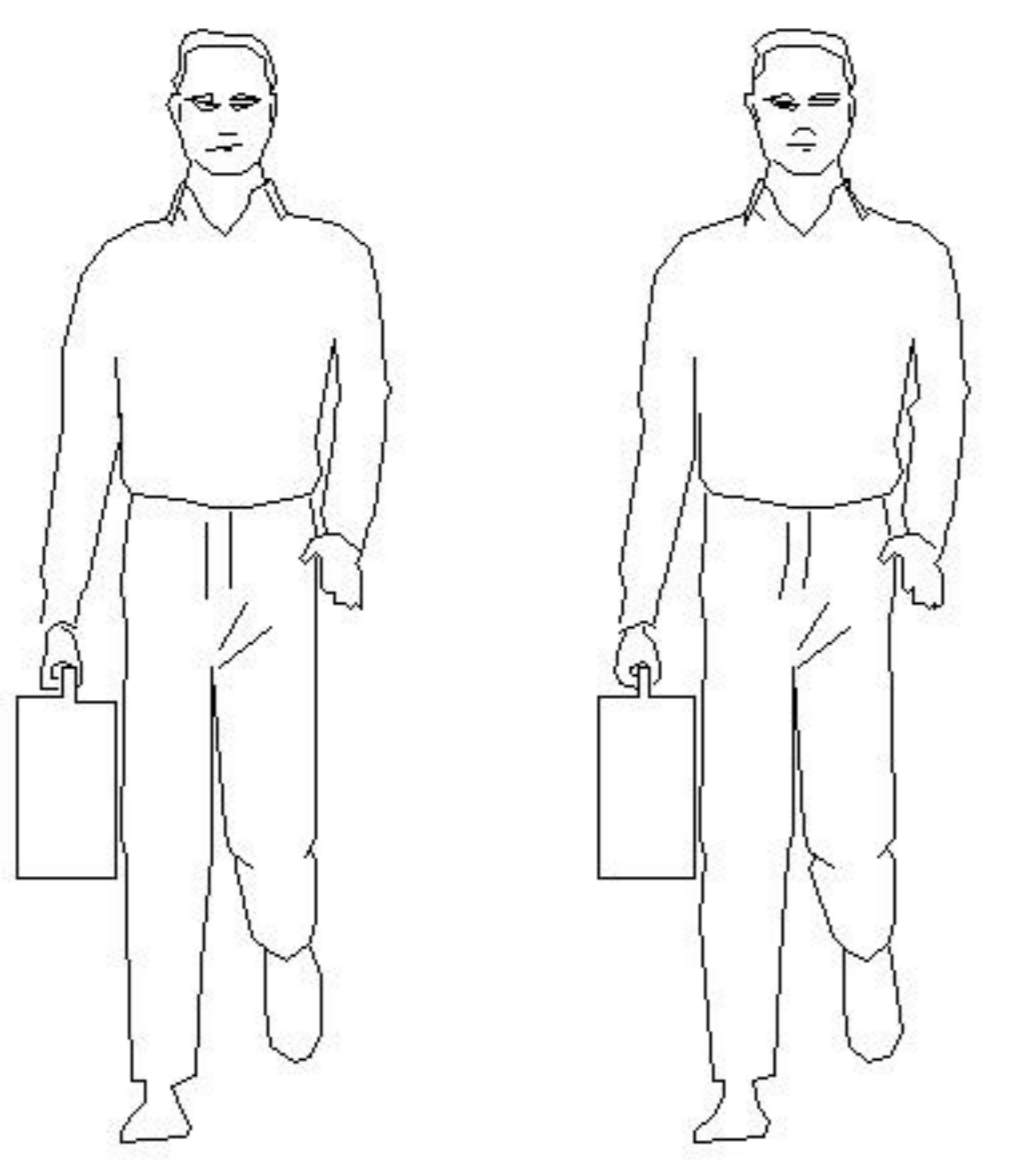


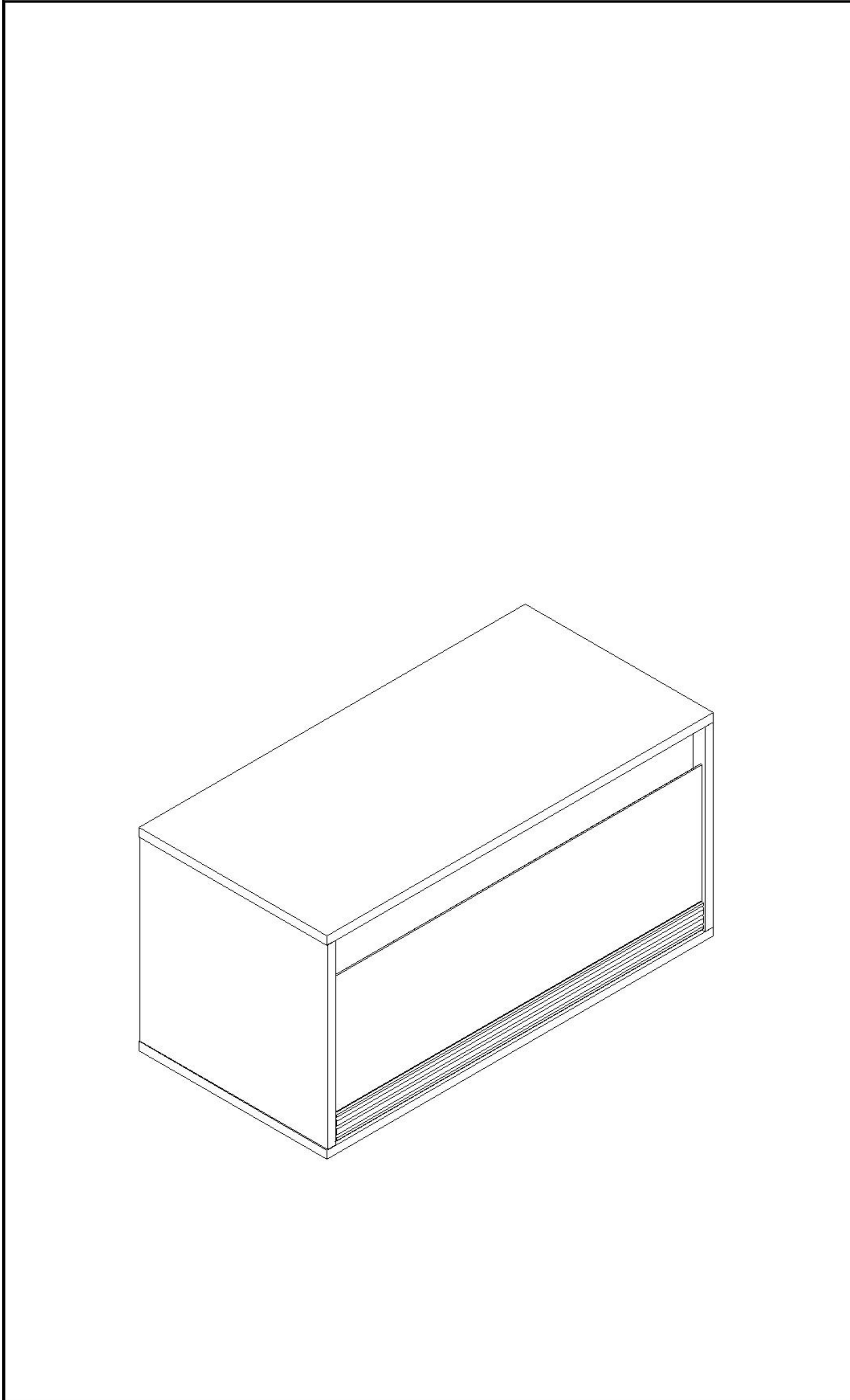
LINSY 林氏家居

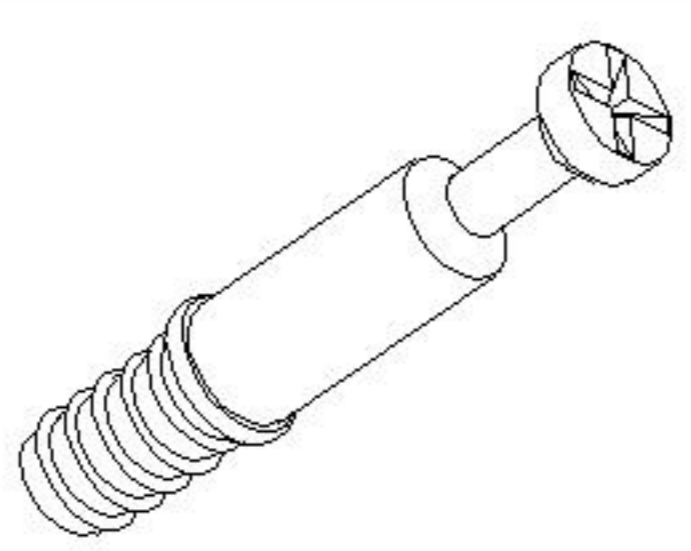
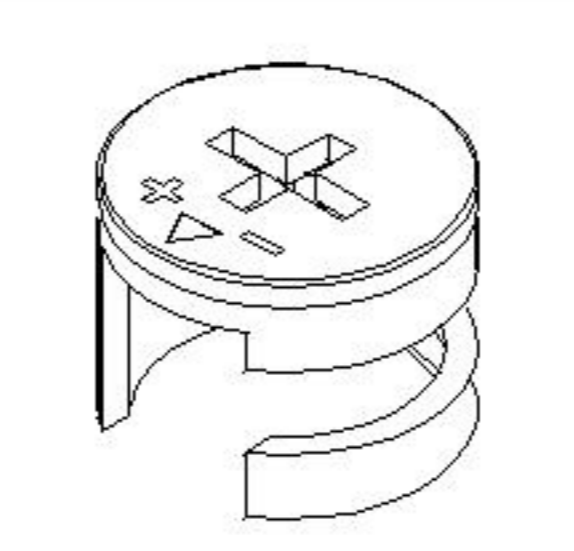
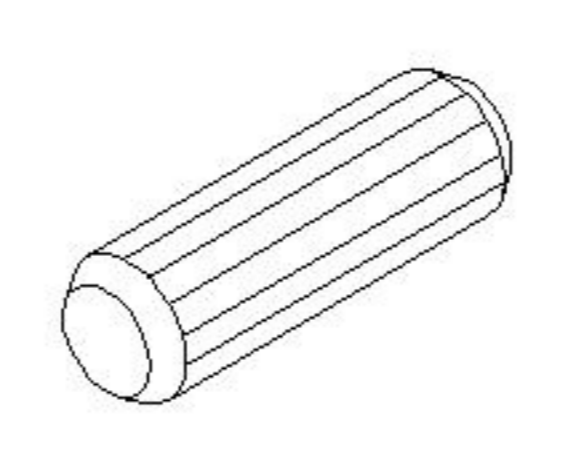
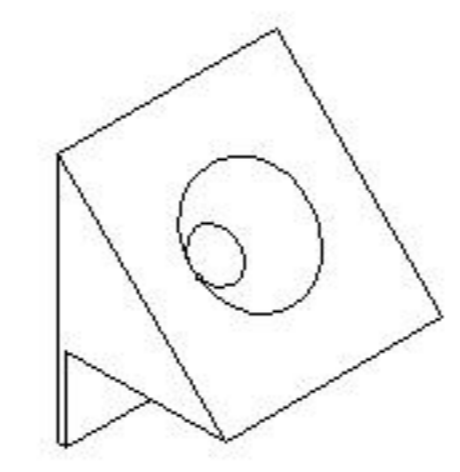
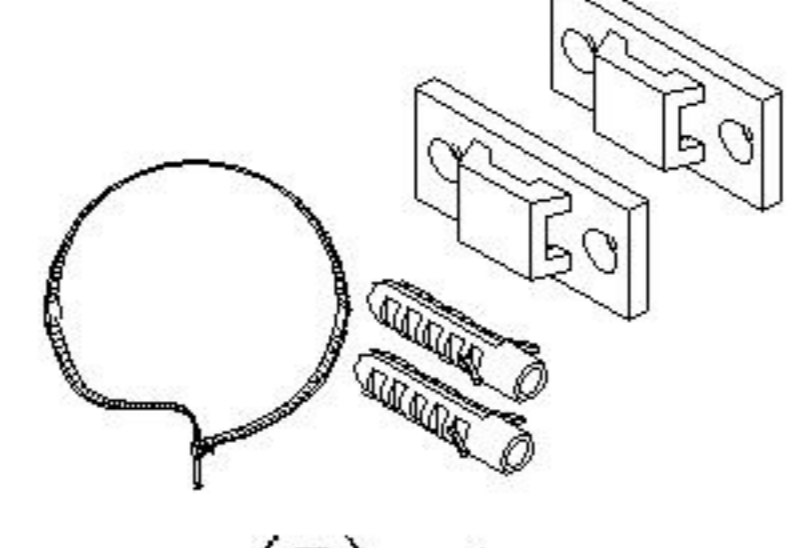
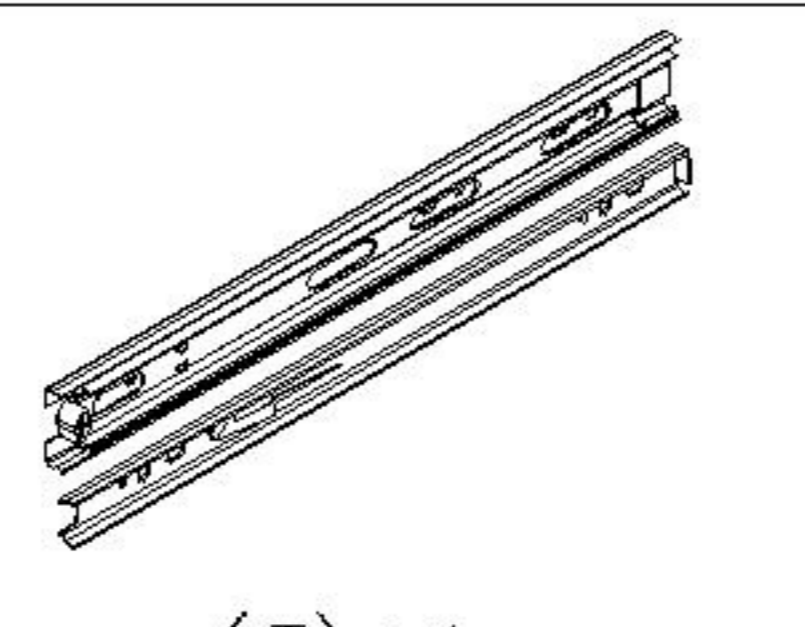
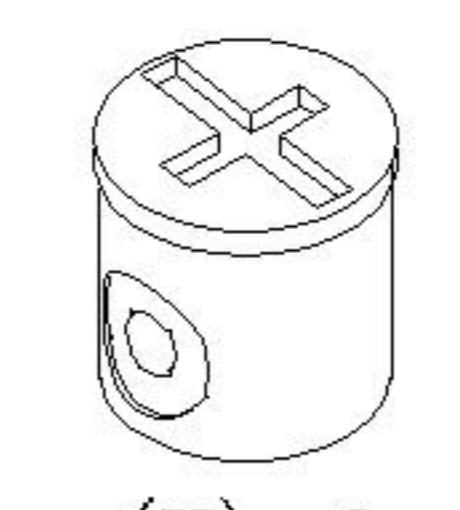
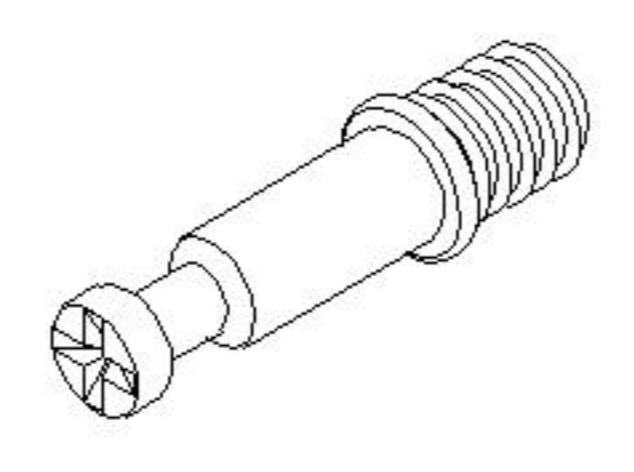
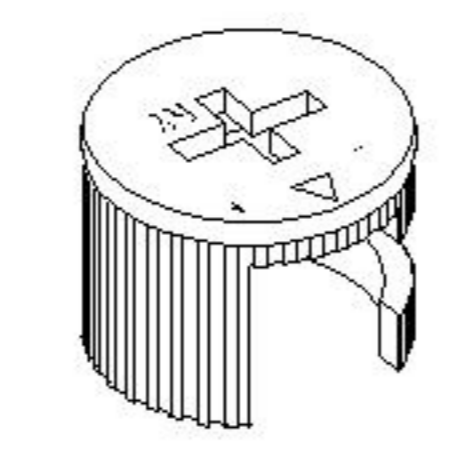
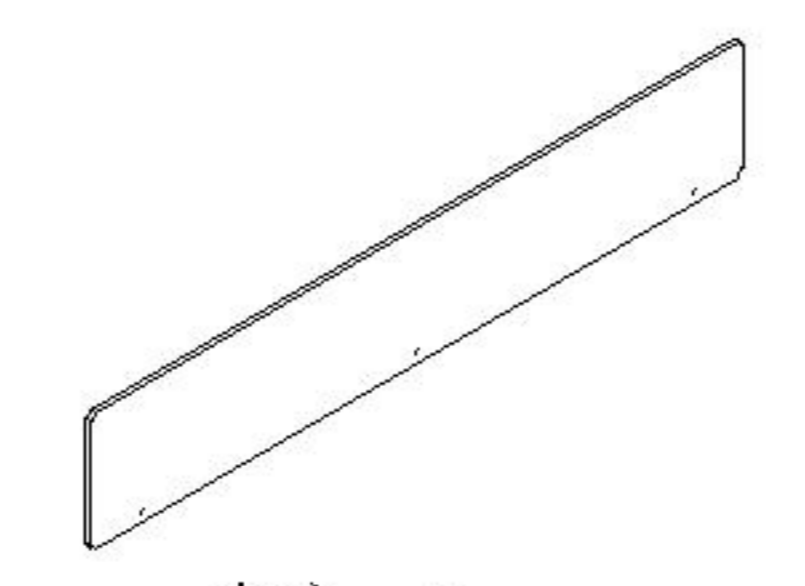
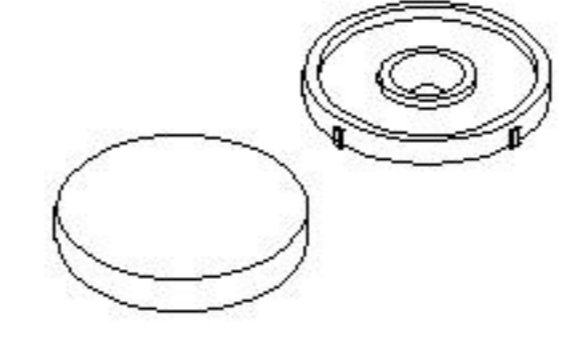
五金表/Hardware list

部件表/Parts List

安装示意图/Assembly Instruction

产品名称 Model NO.	KQ7E-A
产品规格 Specification	720*350*363mm
安装工具 Tool	安装人数 Installer
	



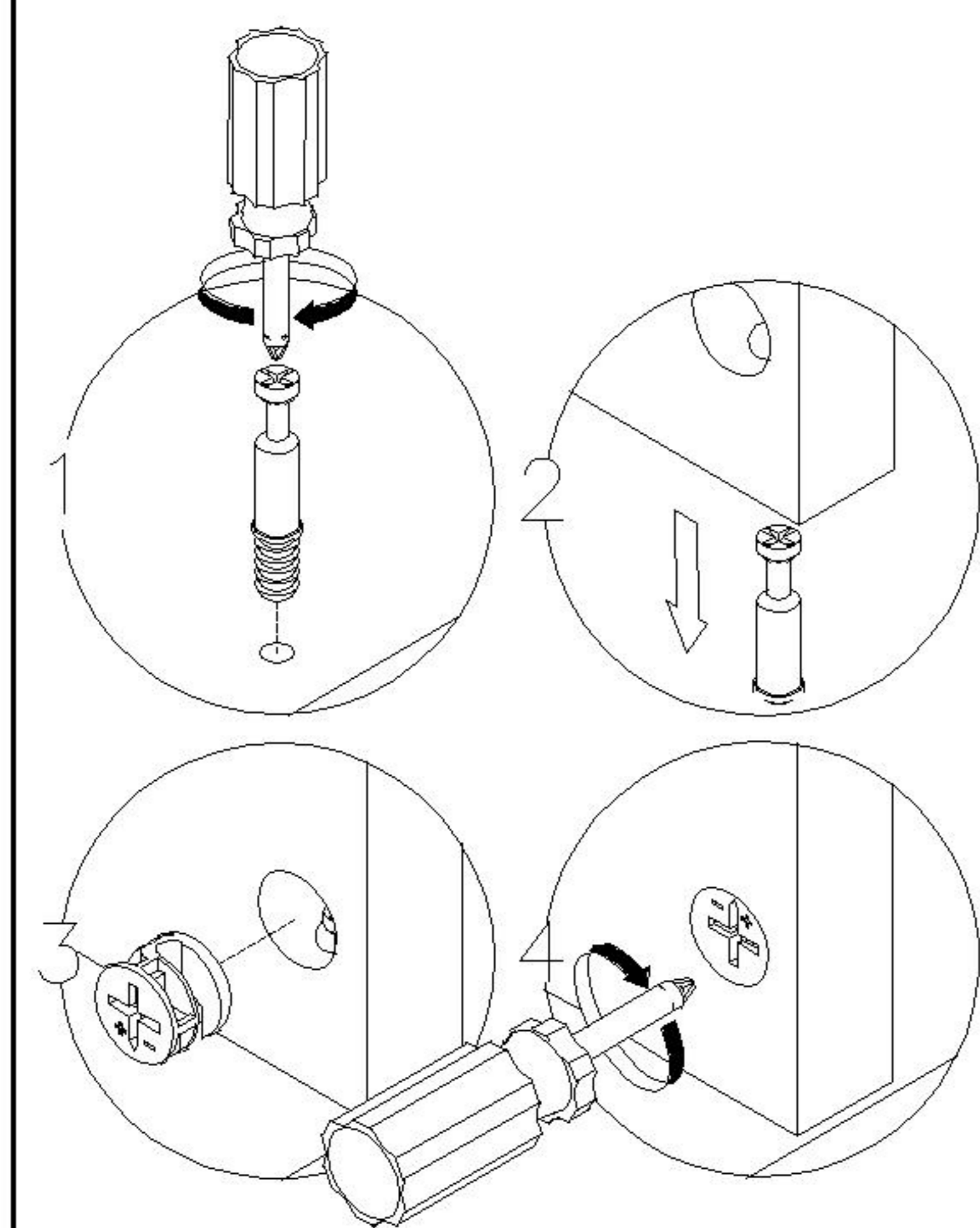
 (A)*8 二合一螺杆 2-in-1-screw	 (B)*8 大三合一锁饼 3-in-1 large lock	 (C)*8 木榫Ø8x30mm Wood tenon	 (D)*4 灰色毛毡垫 Foot pad
 (E)*17 白攻螺丝M3.5*12mm Tapping screw	 (F)*9 白攻螺丝M3.5*16mm Tapping screw	 (G)*6 背板扣 White buckle	 (H)*2 U型卡扣 U-shaped buckle
 (I)*1 家具防倒器-白色 Anti-fall device	 (J)*1 三节滚珠导轨10" Three-section rail	 (K)*6 塑料螺母 Plastic Nut	 (L)*6 白攻螺丝M4*10mm Tapping screw
 (M)*6 小二合一杆 2-in-1 small rod	 (N)*6 小三合一锁饼 3-in-1 small lock	 (O)*1 亚克力 Acrylic	 (P)*3 镜钉 Mirror nail

编号NO.	名称Name	规格(mm) Specification	数量QTY	材质Material
①	顶底板Top base board	720*350*15	2	三胺板 Melamine
②	侧板Side board	330*350*15	2	三胺板 Melamine
③	背板Back board	698*340*5	1	三胺板 Melamine
④	抽屉面板组立 Drawer panels assembly	684*265*18	1	三胺板+实木 Melamine+Wood
⑤	抽屉后板 Drawer's Back board	638*174*12	1	三胺板 Melamine
⑥	抽屉右侧板 Drawer's side board(R)	295*174*12	1	三胺板 Melamine
⑦	抽屉左侧板 Drawer's side board(L)	295*174*12	1	三胺板 Melamine
⑧	抽屉底板 Drawer's Bottom board	648*291*5	1	三胺板 Melamine
⑨	抽屉底托条 Drawer's bottom bracket	281*58*12	1	三胺板 Melamine
⑩				
⑪				
⑫				
⑬				
⑭				
⑮				
⑯				
⑰				
⑱				
⑲				
⑳				
㉑				
㉒				
㉓				
㉔				
㉕				

KQ7E-A

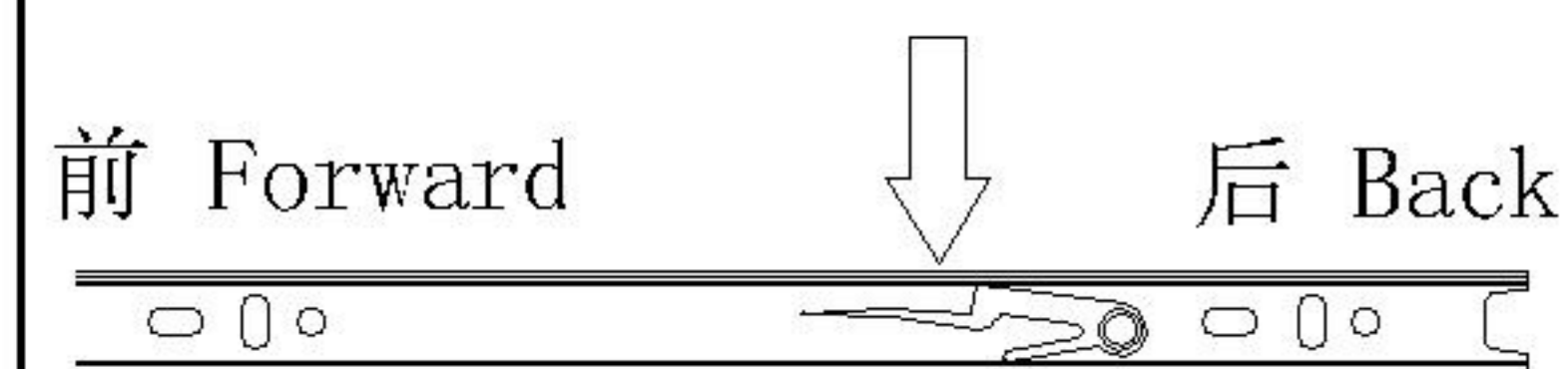
安装方法

Installation method

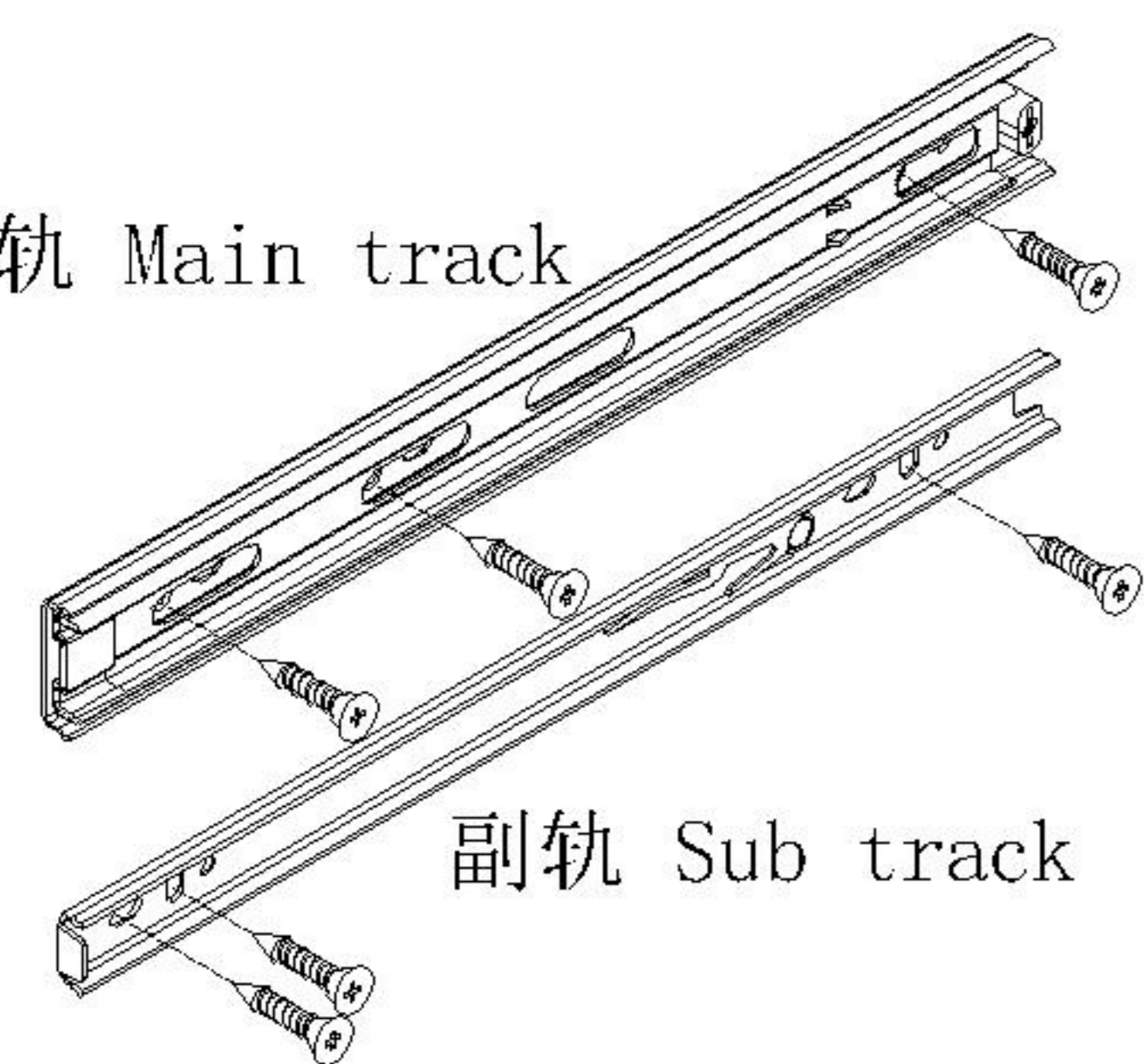


二合一 two-in-one

阀门开关(下压为开)
Valve switch (press down to open)



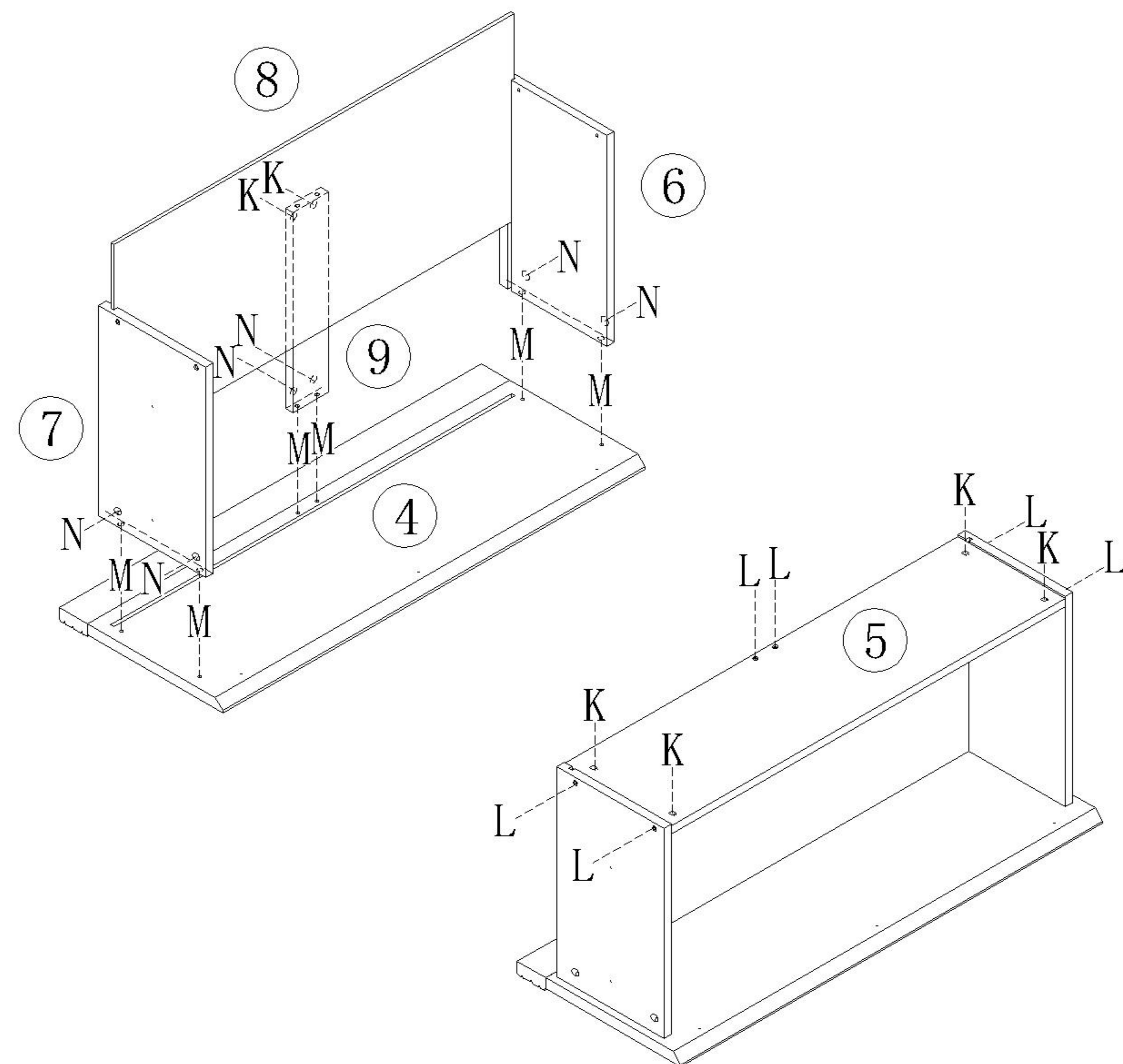
主轨 Main track



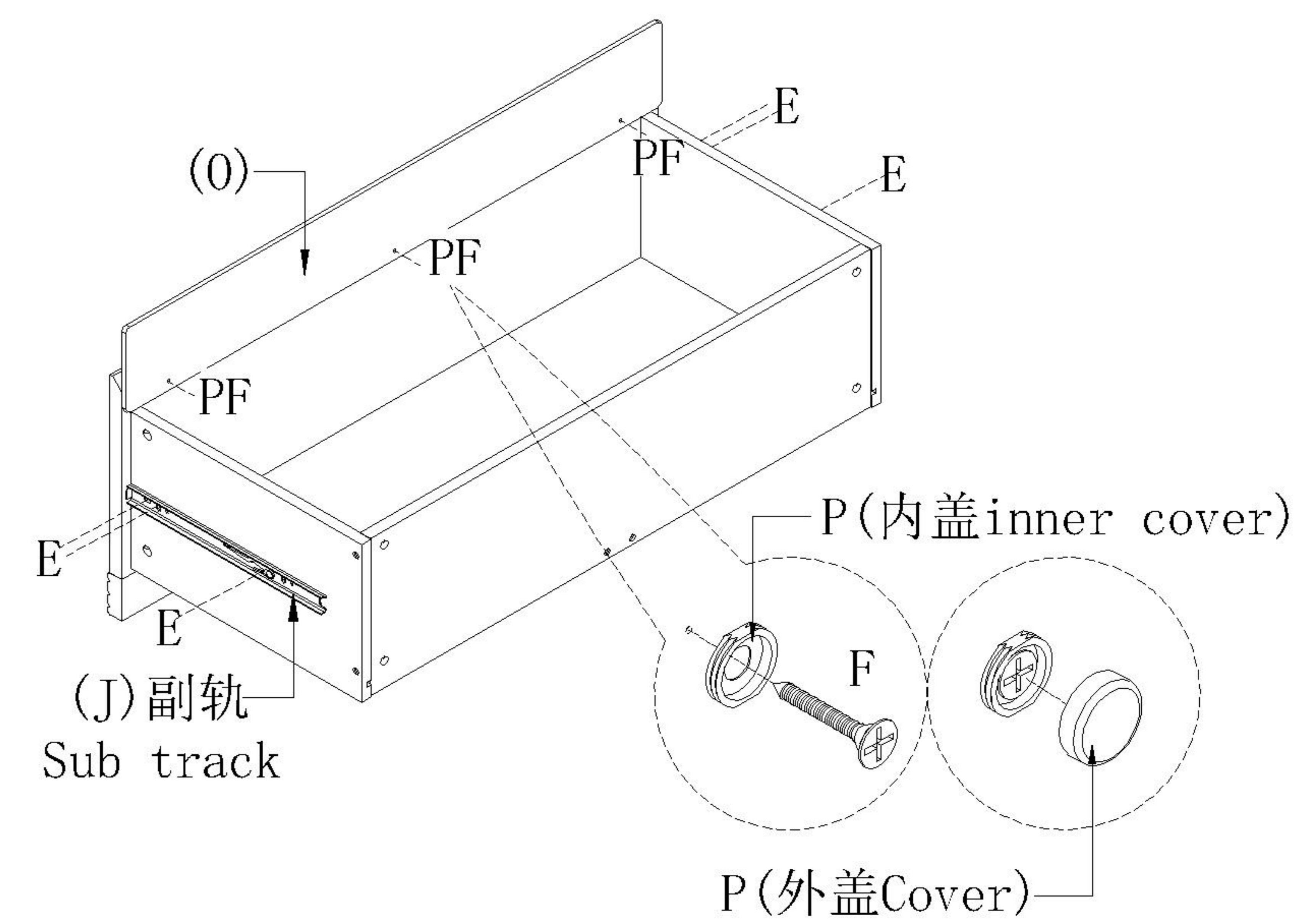
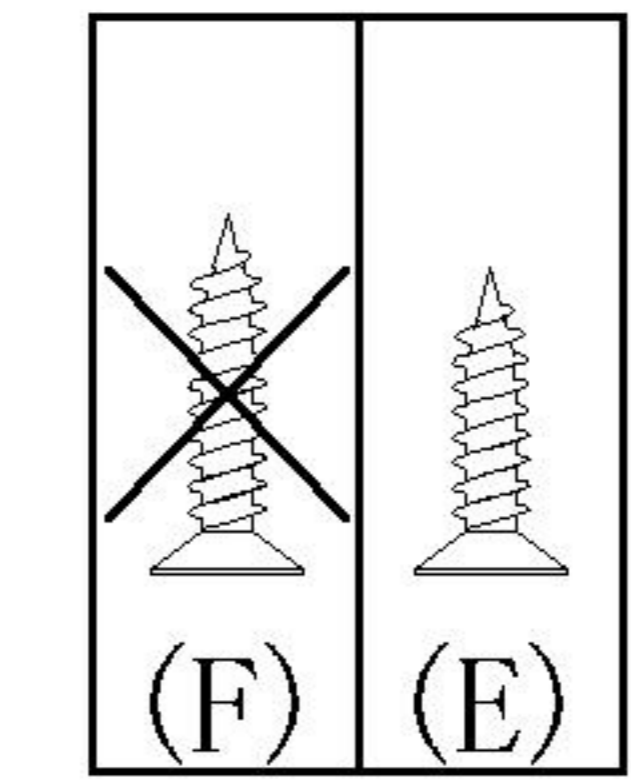
副轨 Sub track

三节滚珠导轨-10"
Three-section rail

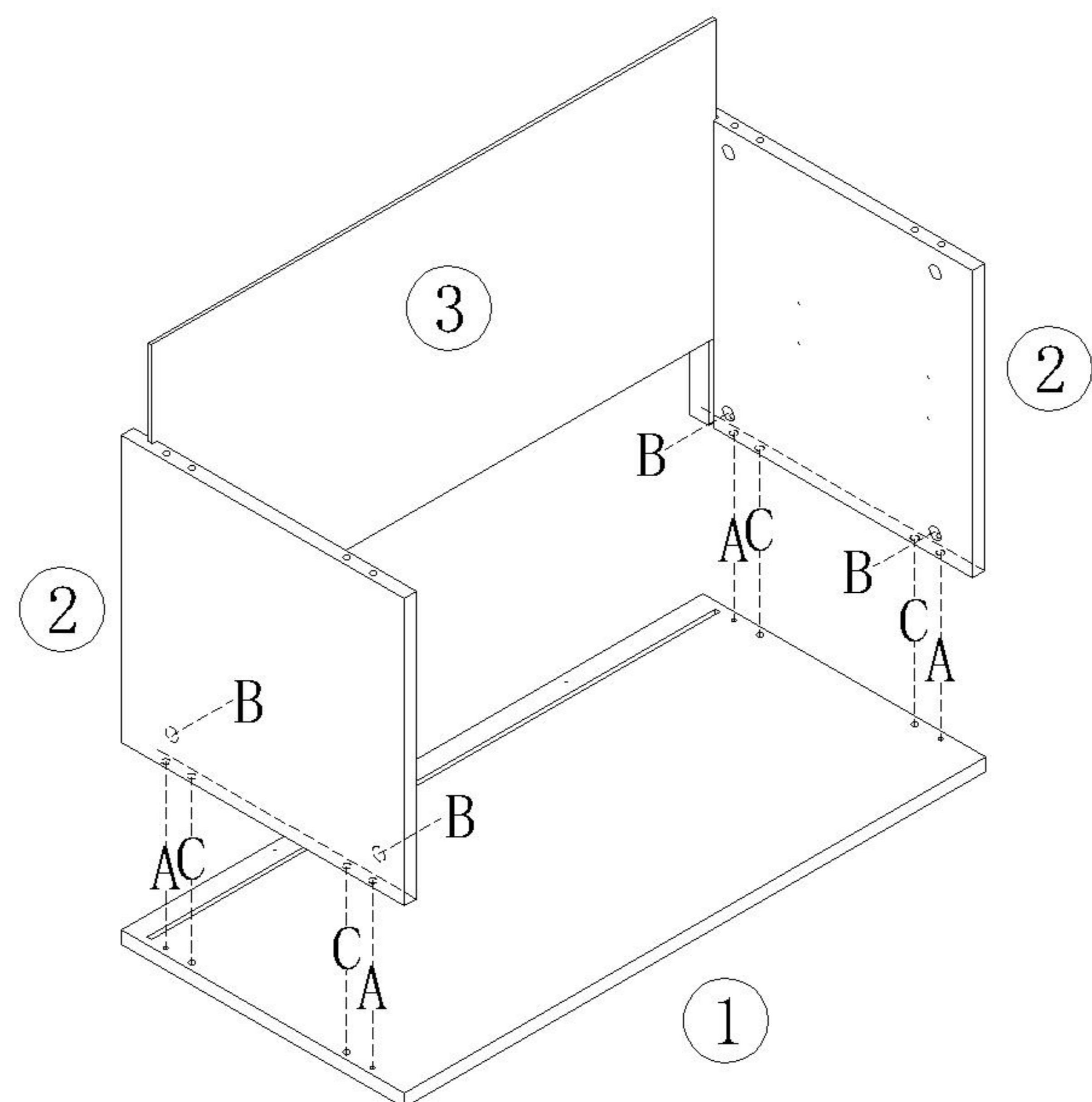
- (M)*6
- (N)*6
- (L)*6
- (K)*6



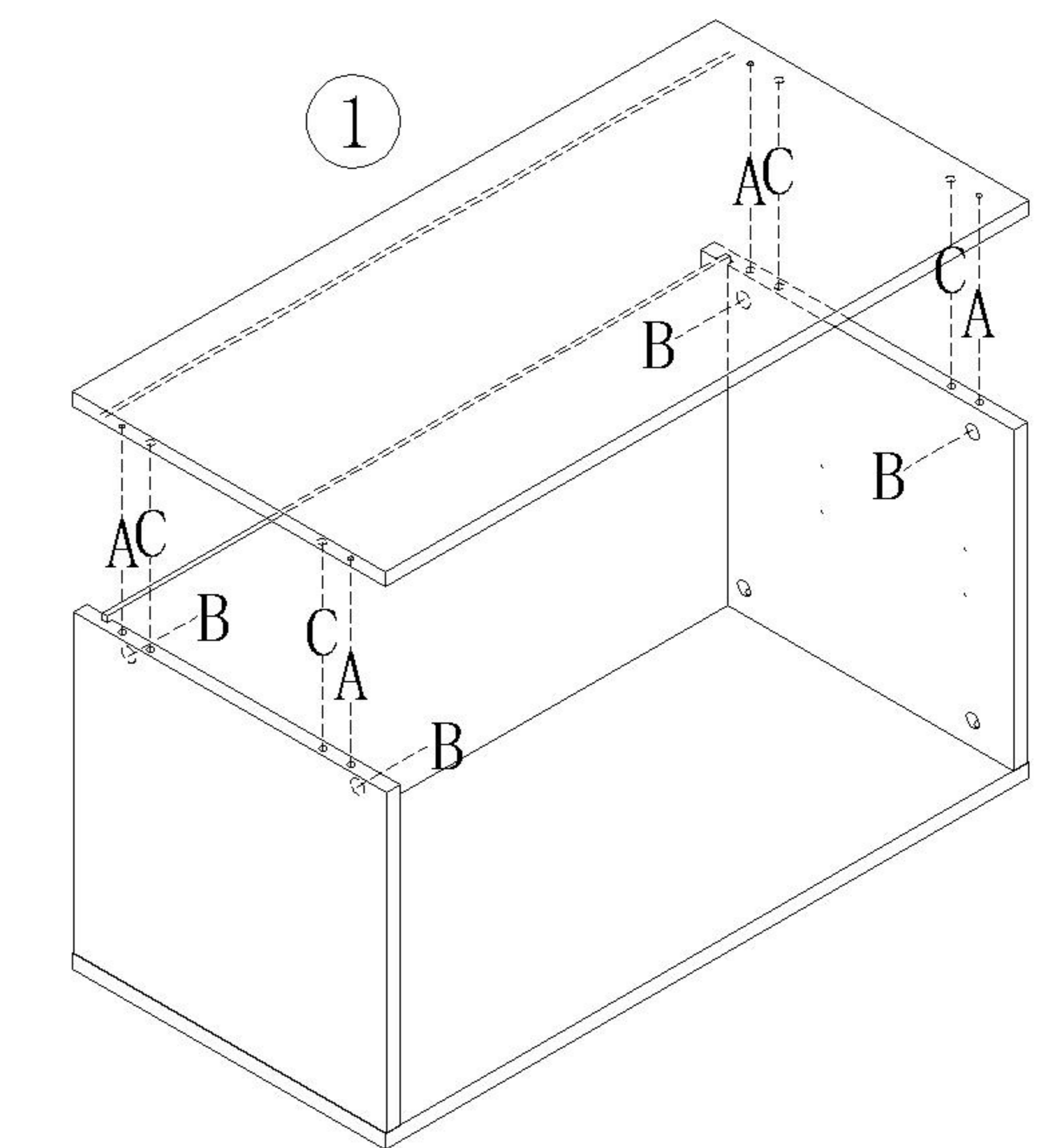
- (E)*6
- (F)*3
- (J)*1
- (O)*1
- (P)*3



- (A)*4
- (B)*4
- (C)*4

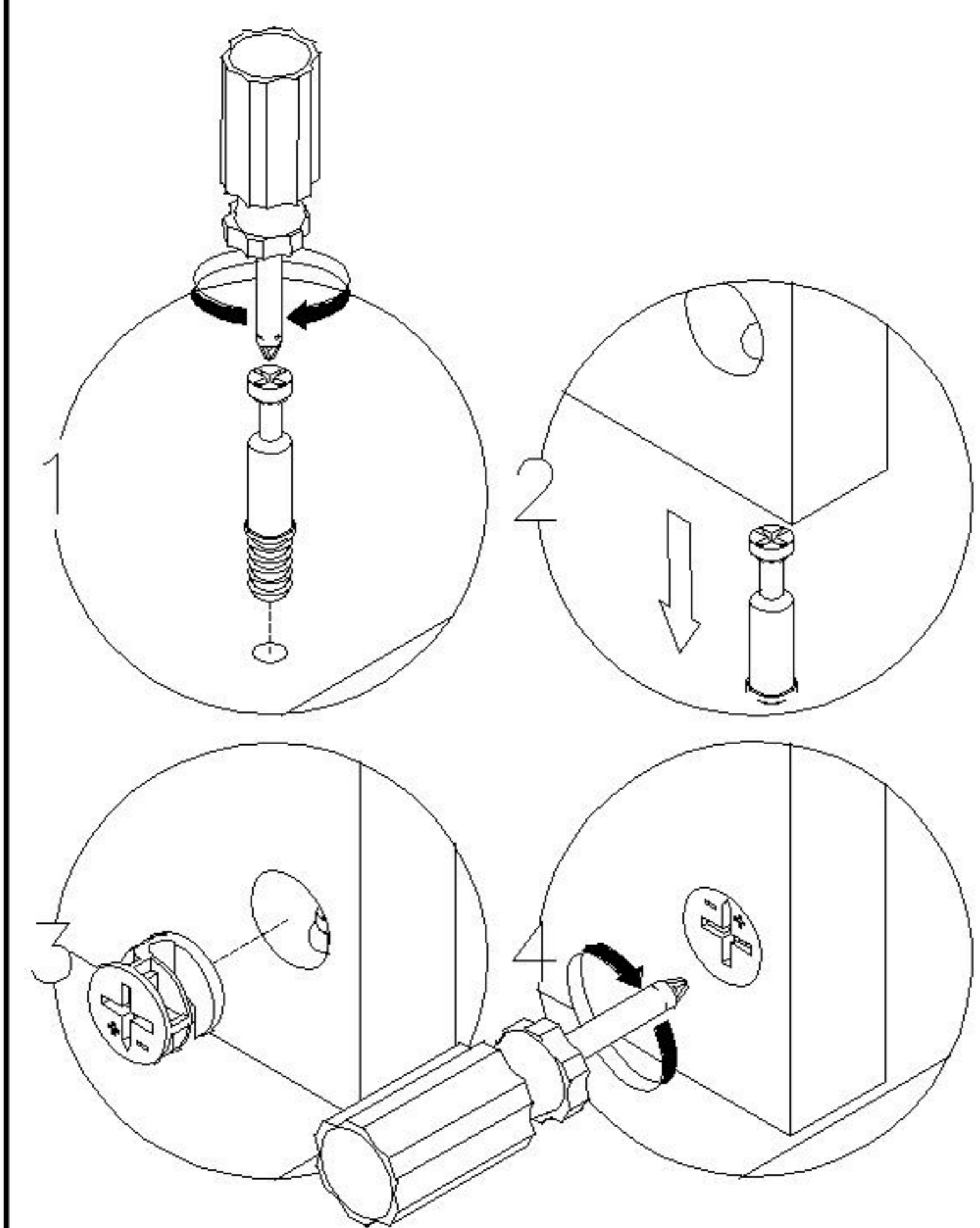


- (A)*4
- (B)*4
- (C)*4

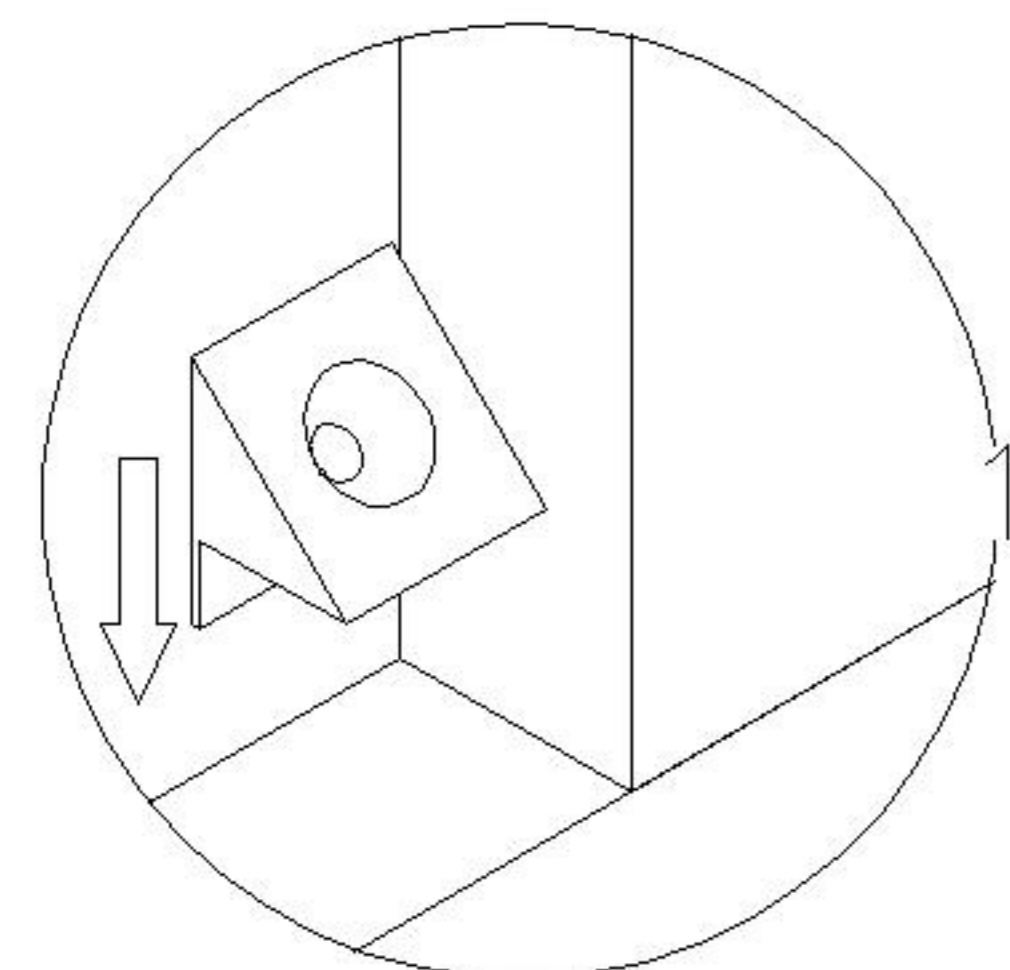


KQ7E-A

安装方法 Installation method



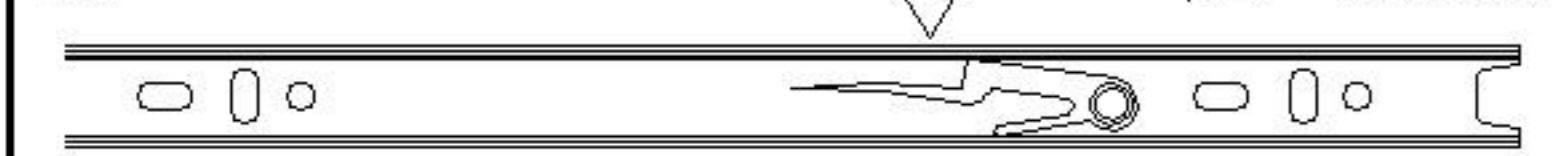
二合一 two-in-one



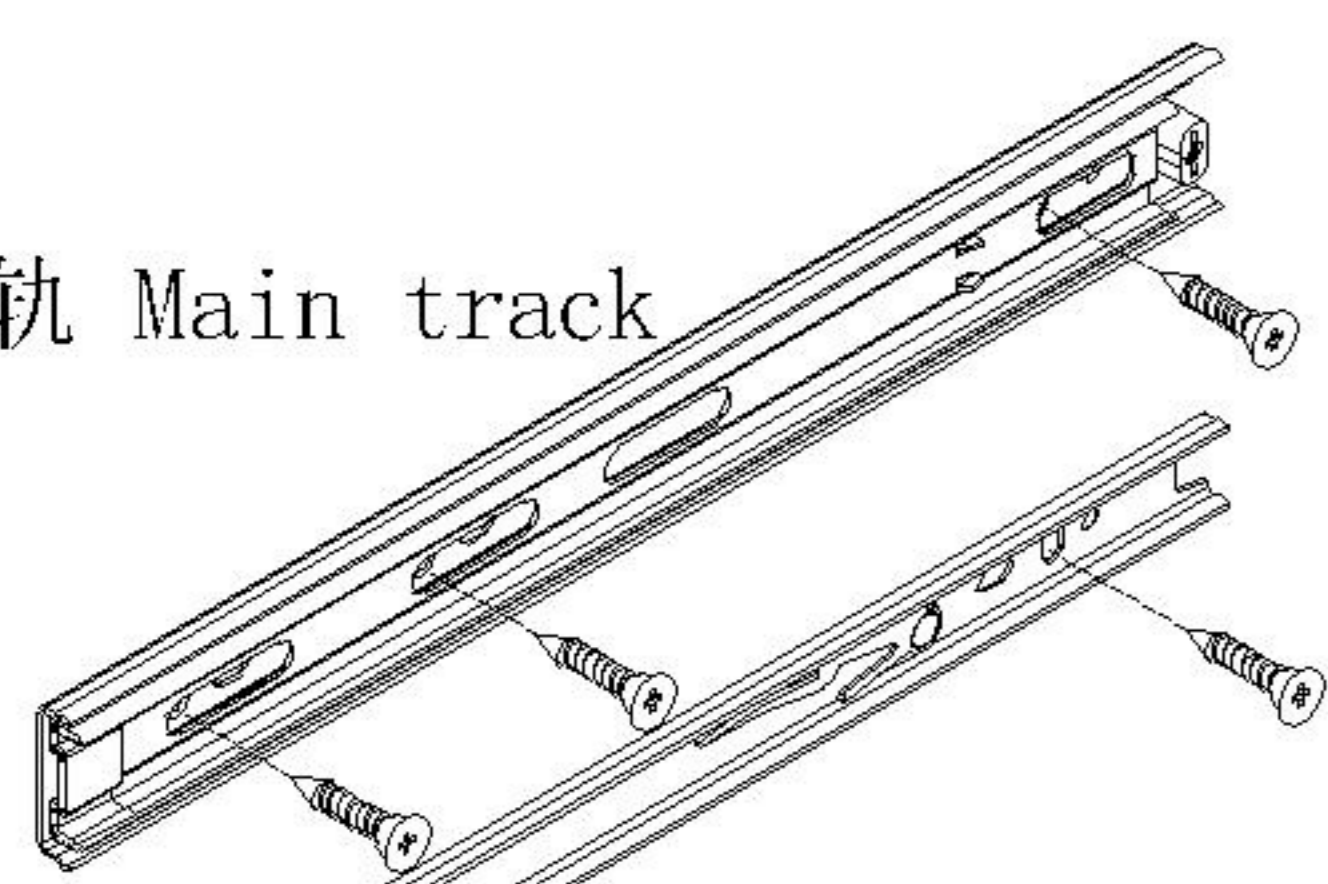
背板扣
Back Plate Buckle

阀门开关(下压为开)
Valve switch (press down to open)

前 Forward 后 Back



主轨 Main track

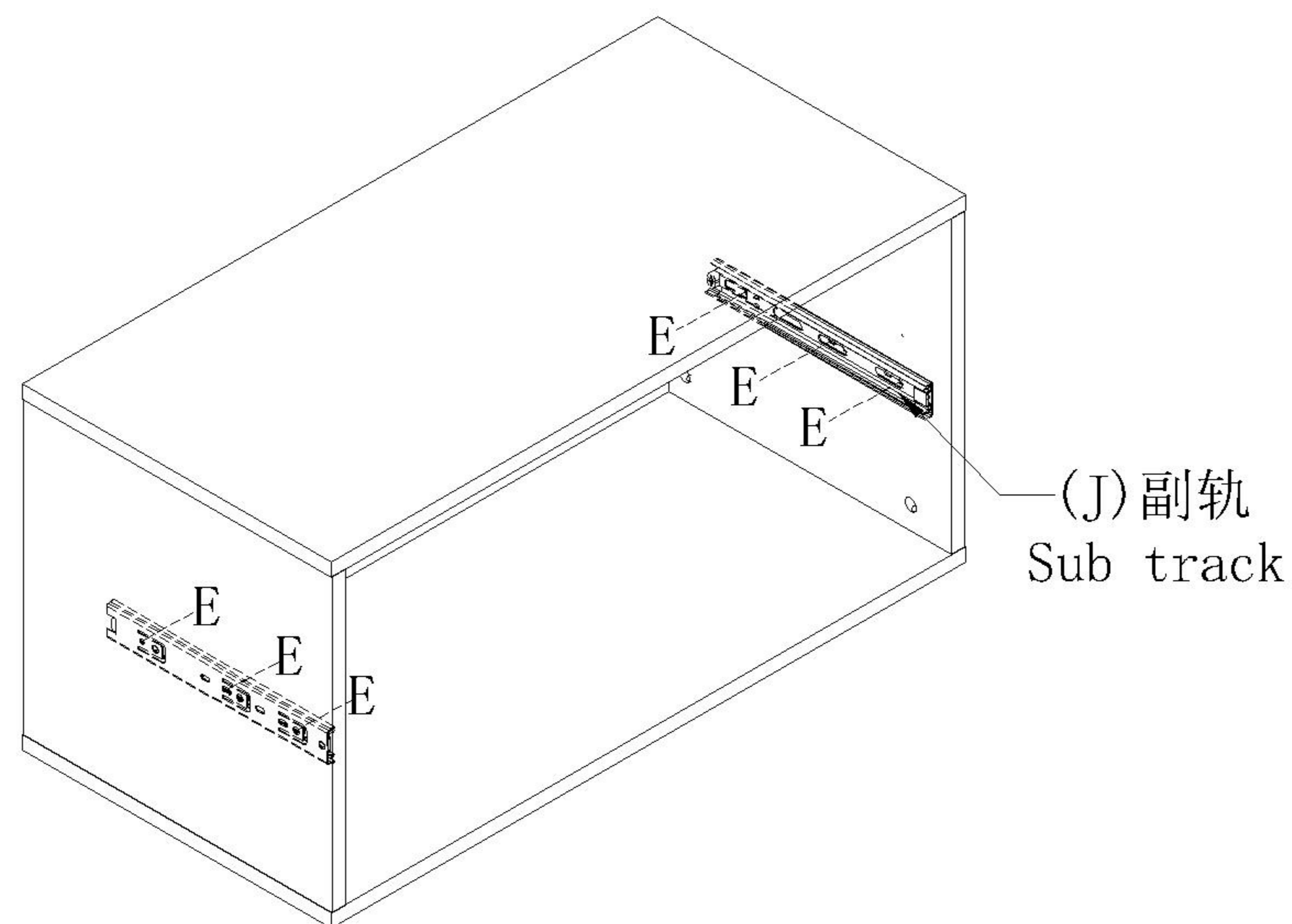


副轨 Sub track

三节滚珠导轨-10"
Three-section rail

(E)*6

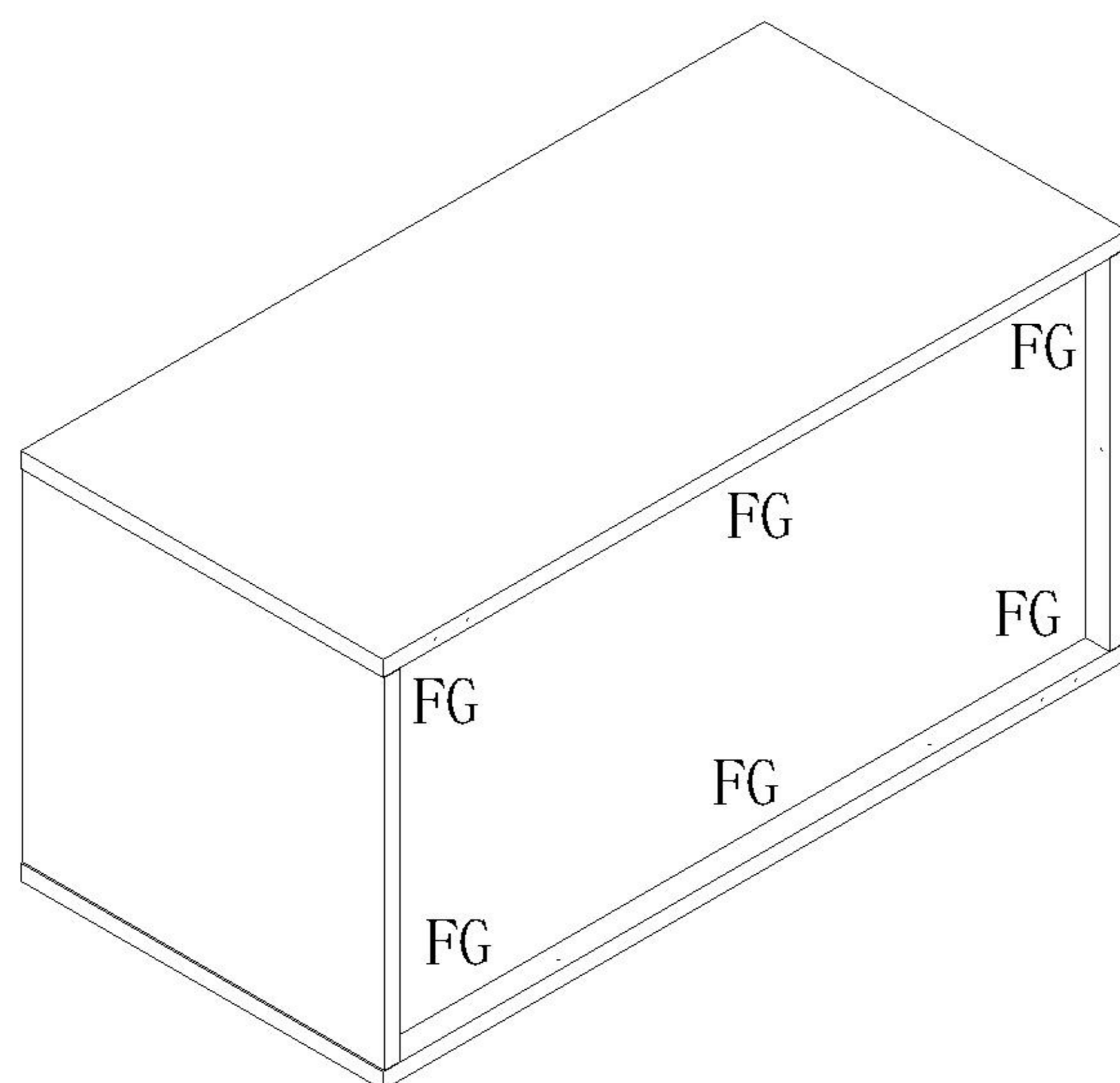
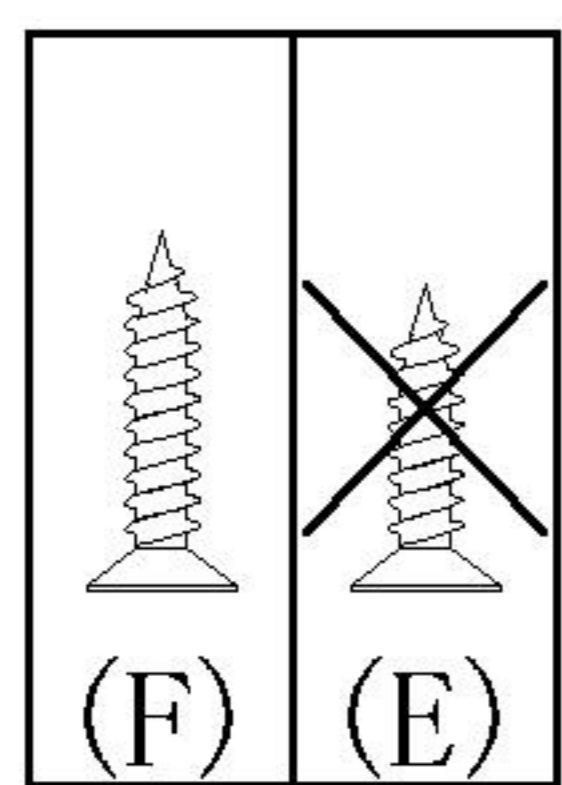
(J)*1



5

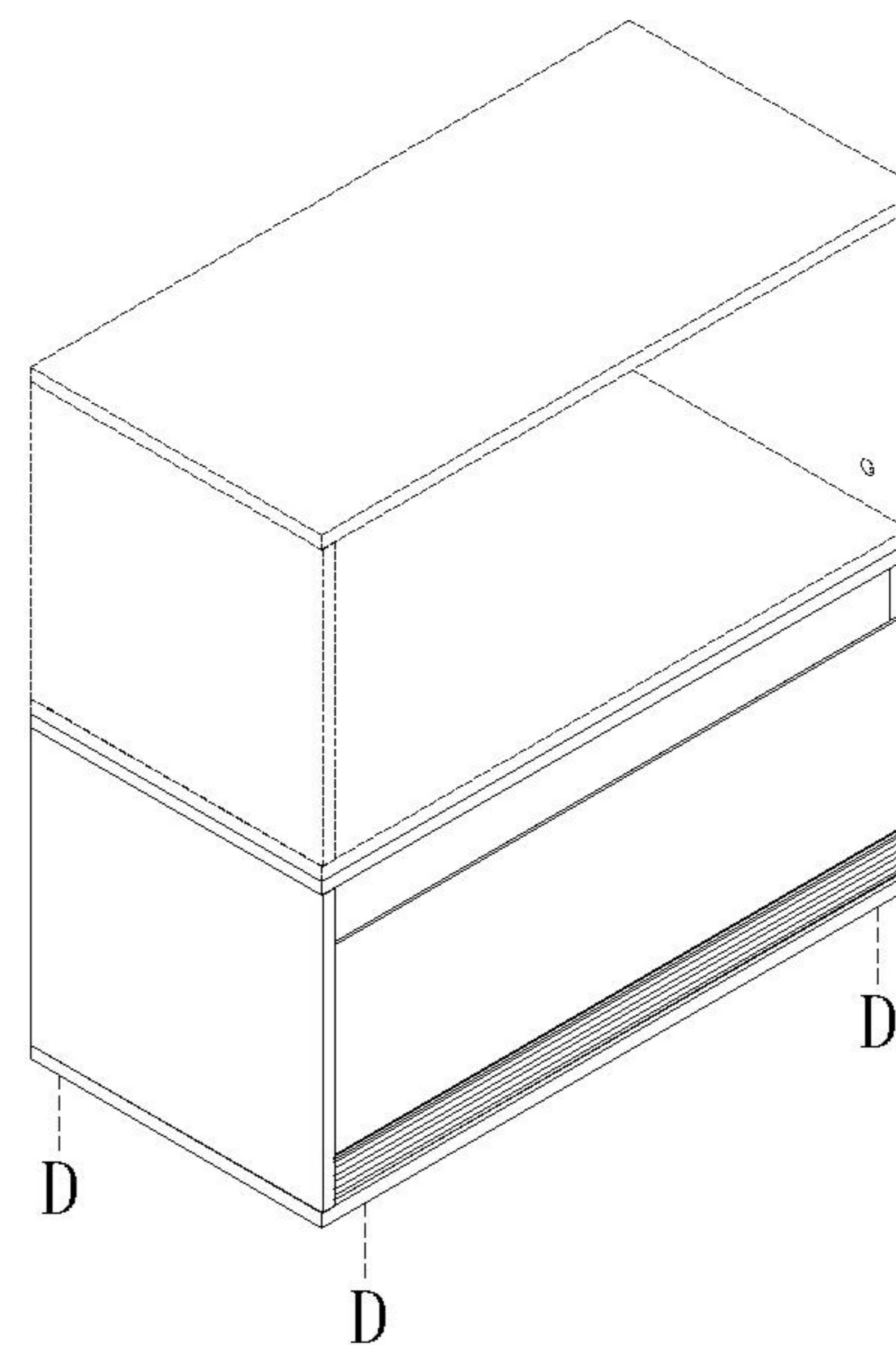
(F)*6

(G)*6



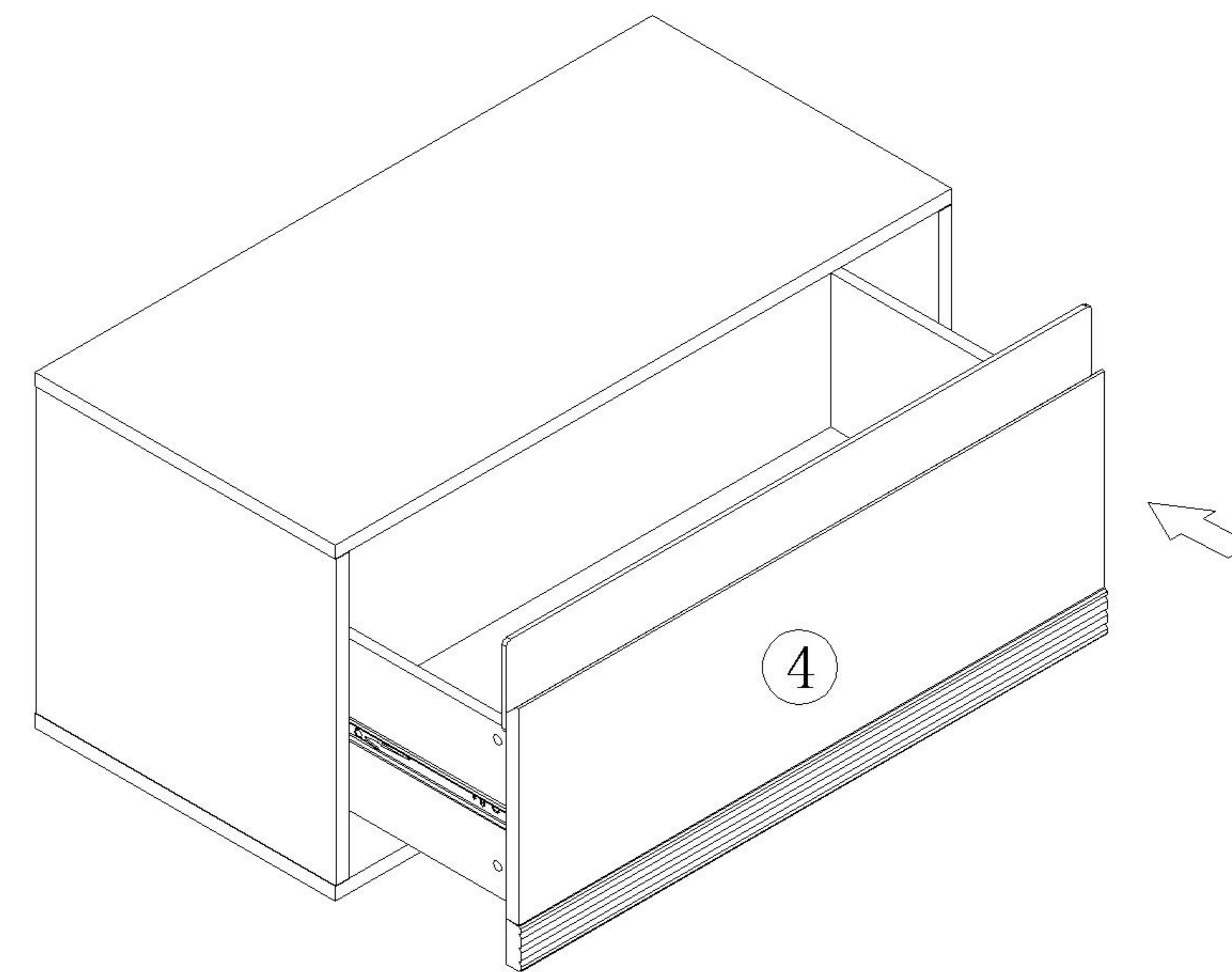
7

(D)*4

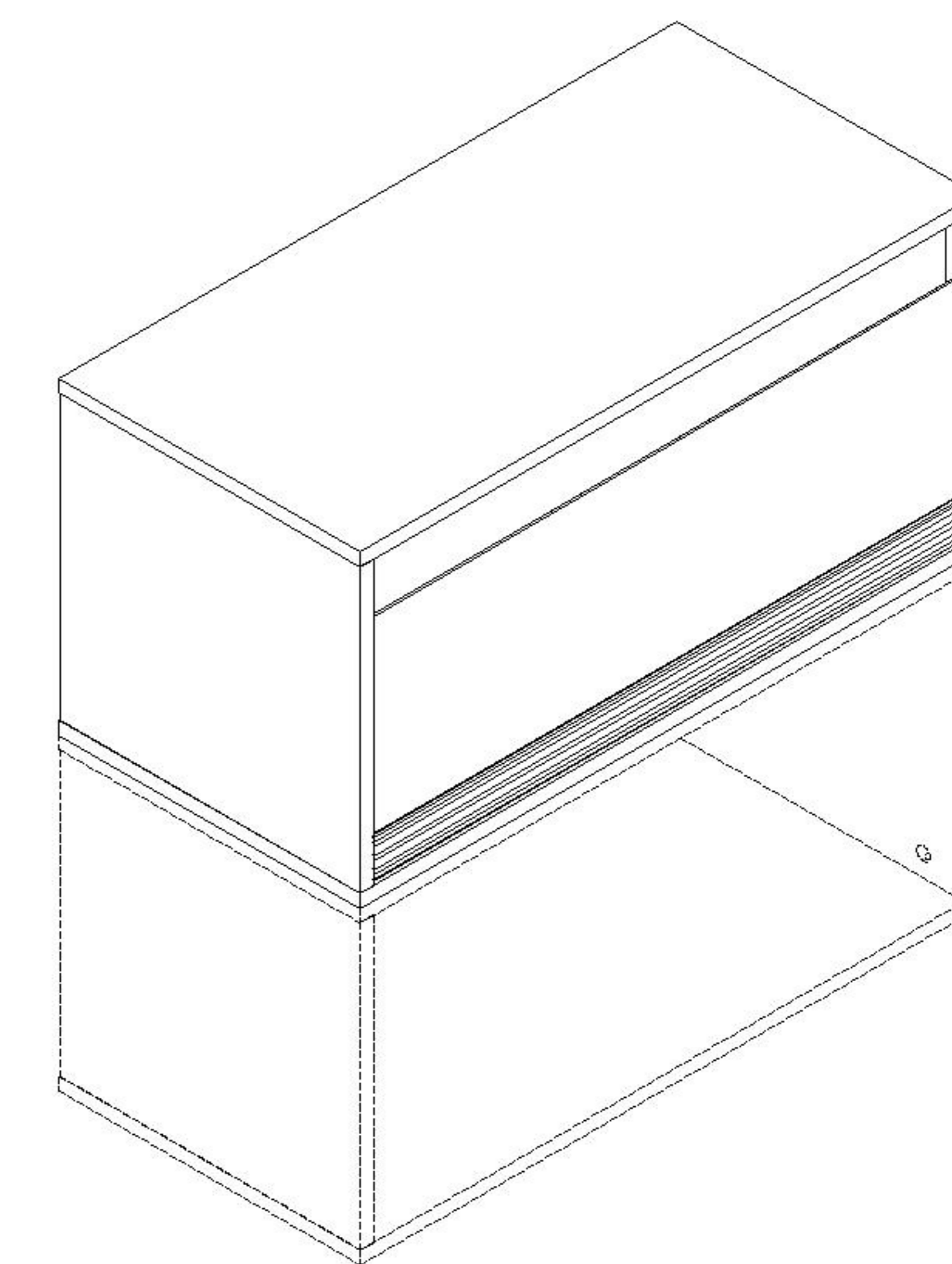


接触地面需安装五金(D)
Hardware installation required
for contact with the ground (D)

6


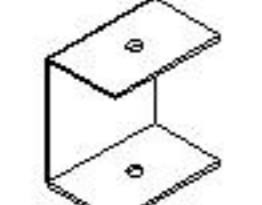


8

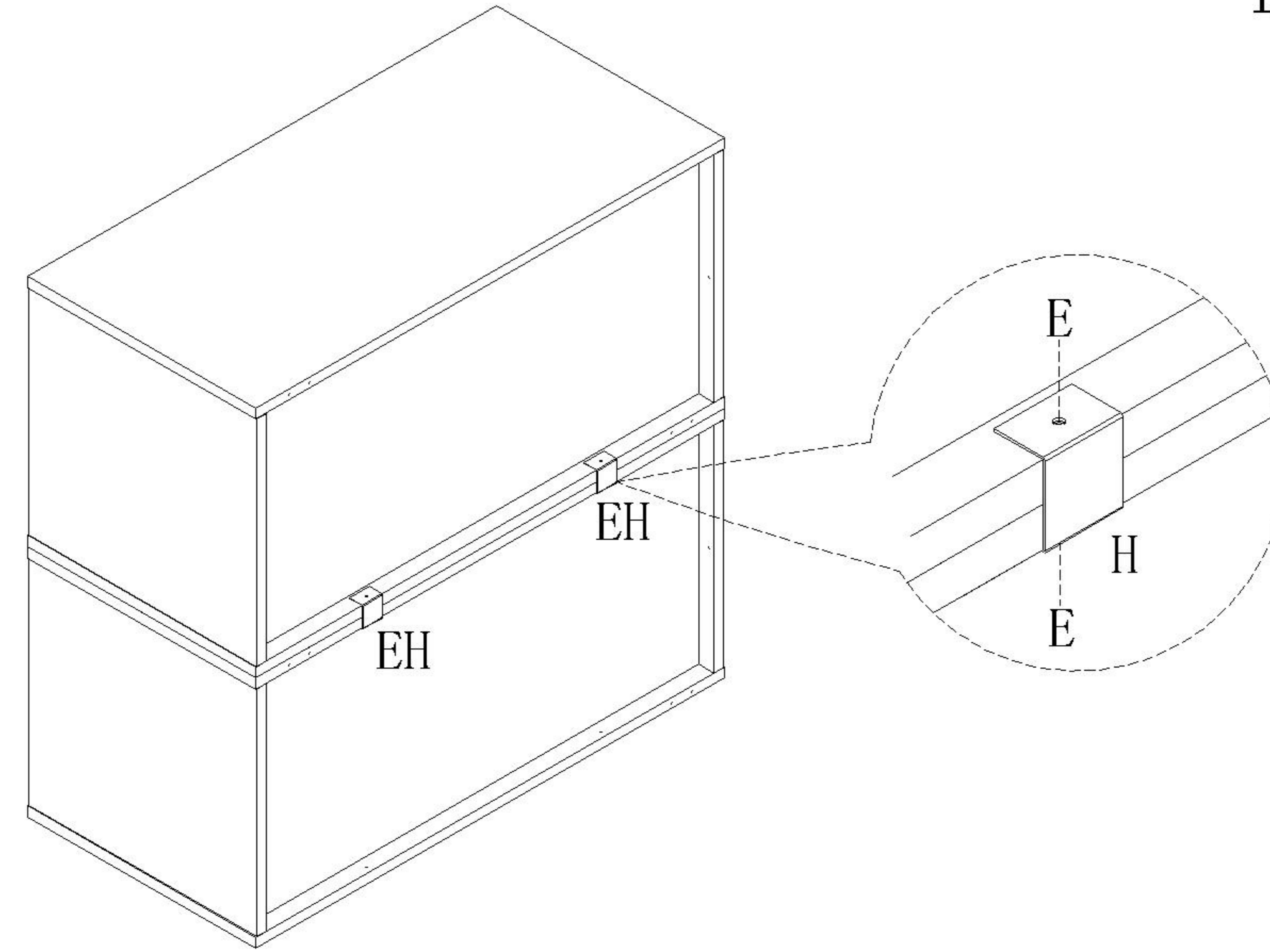


无接触地面不需安装五金(D)
No need to install hardware
without touching the ground (D)

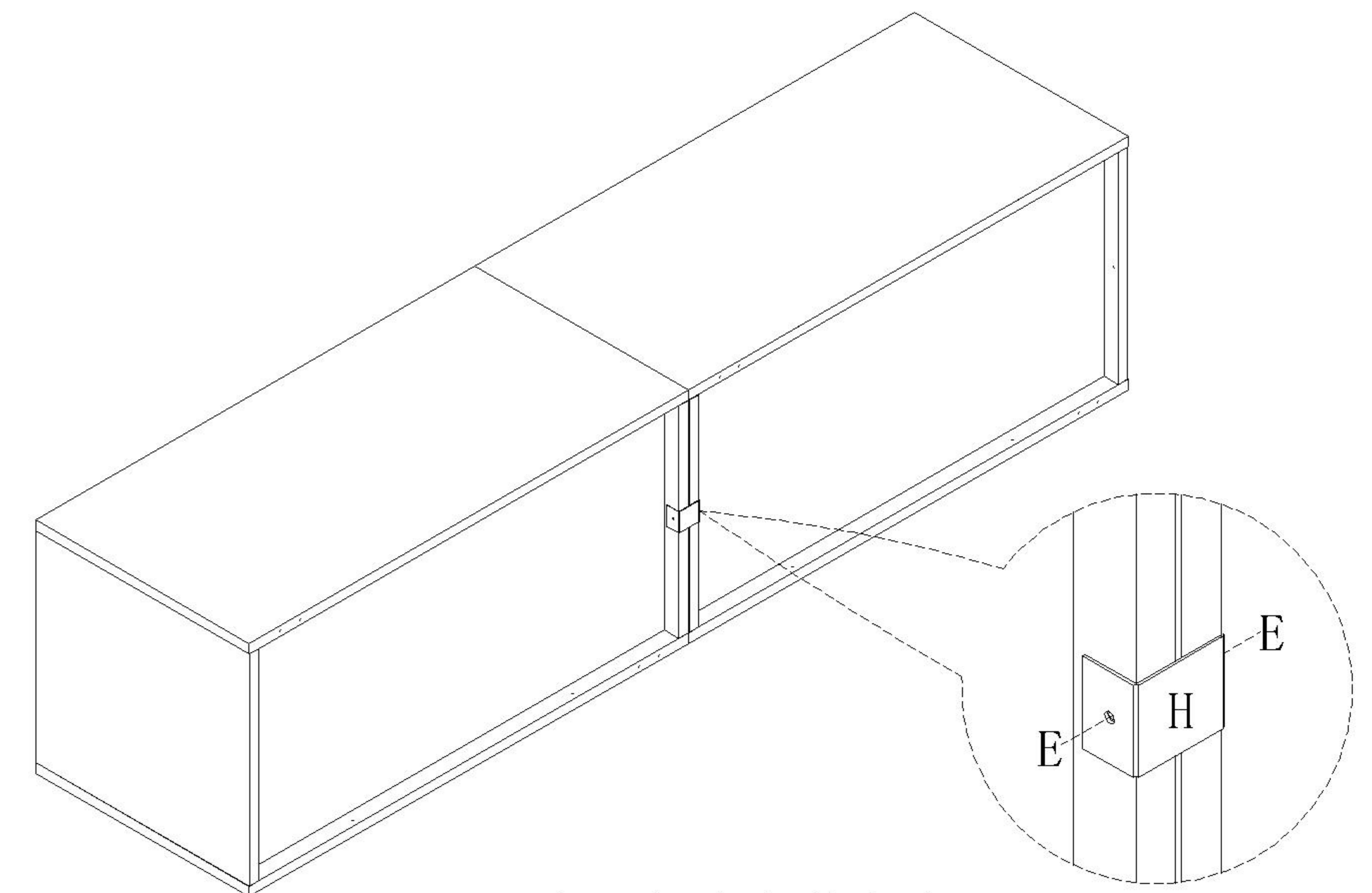
安装方法 Installation method

-  (E)*4
-  (H)*2

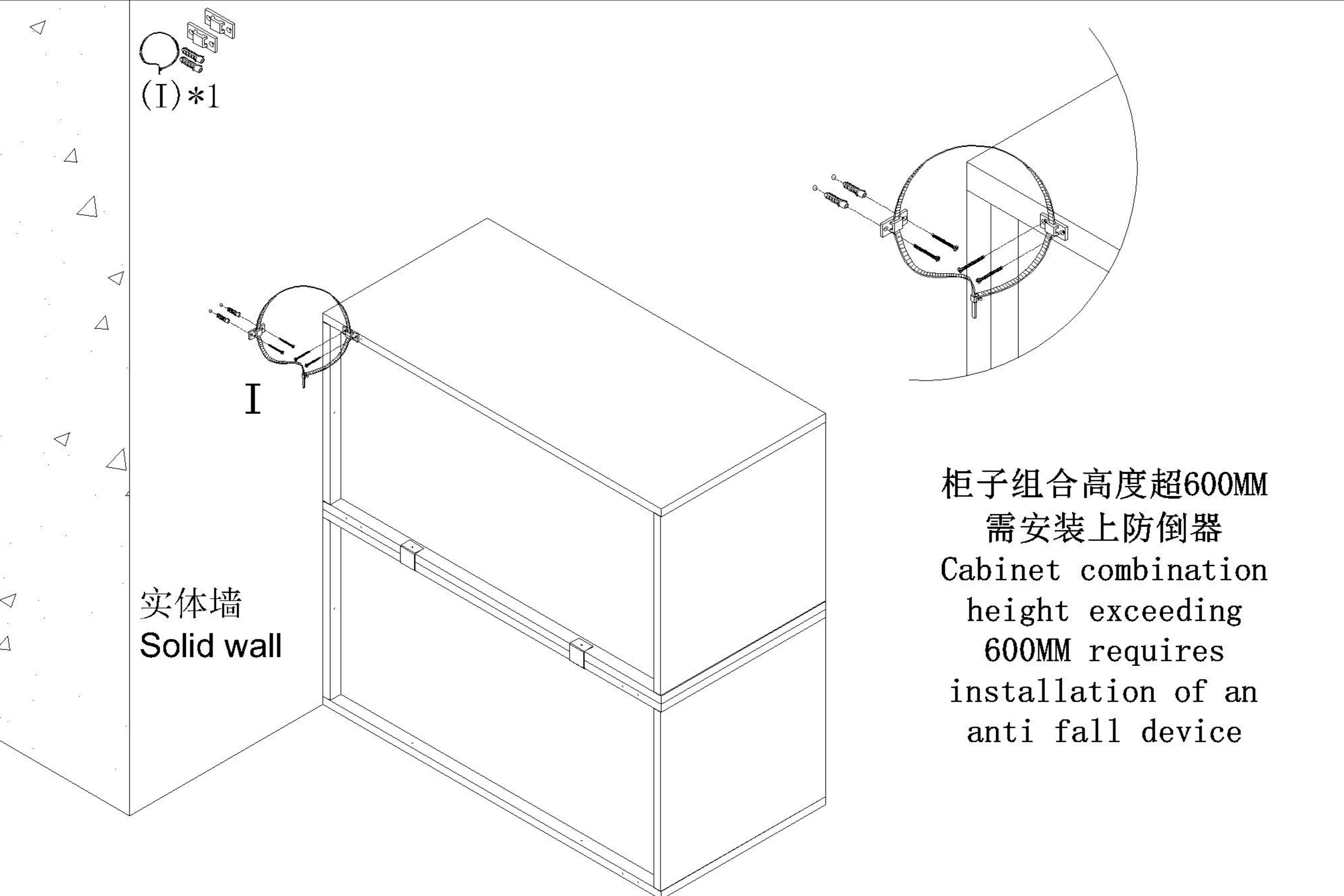
组合连接方式, 如只购买单个柜体无需安装
Combination connection method, such as purchasing only a single cabinet without installation



上下组合安装方式
Upper and lower combination installation method



左右组合安装方式
Left and right combination installation method



柜子组合高度超600MM
需安装上防倒器
Cabinet combination height exceeding 600MM requires installation of an anti fall device

