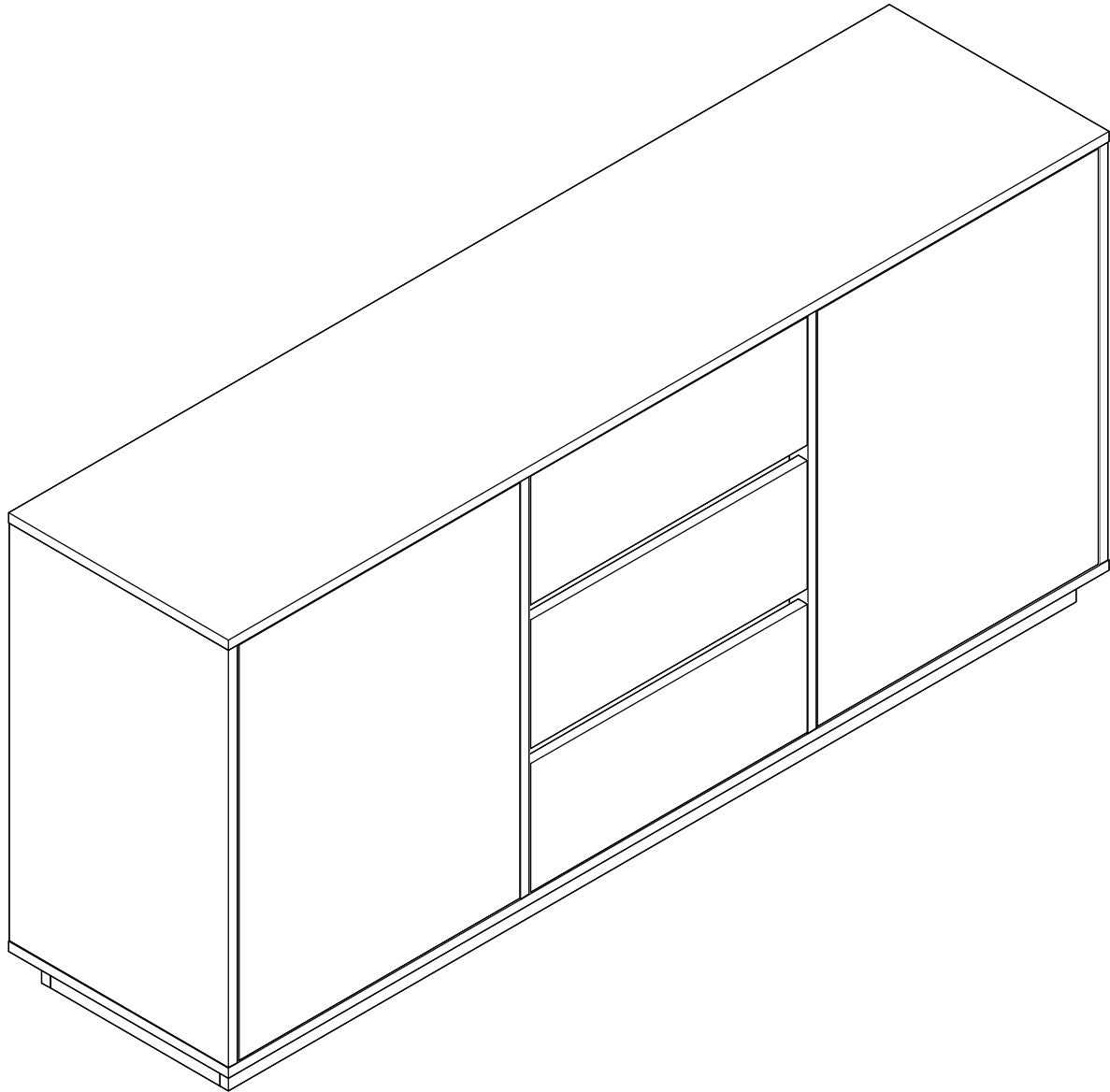


# Assembly Instructions

## Japandi Range



# Loft

Product Code

SID-LOF-JAP-2~9711

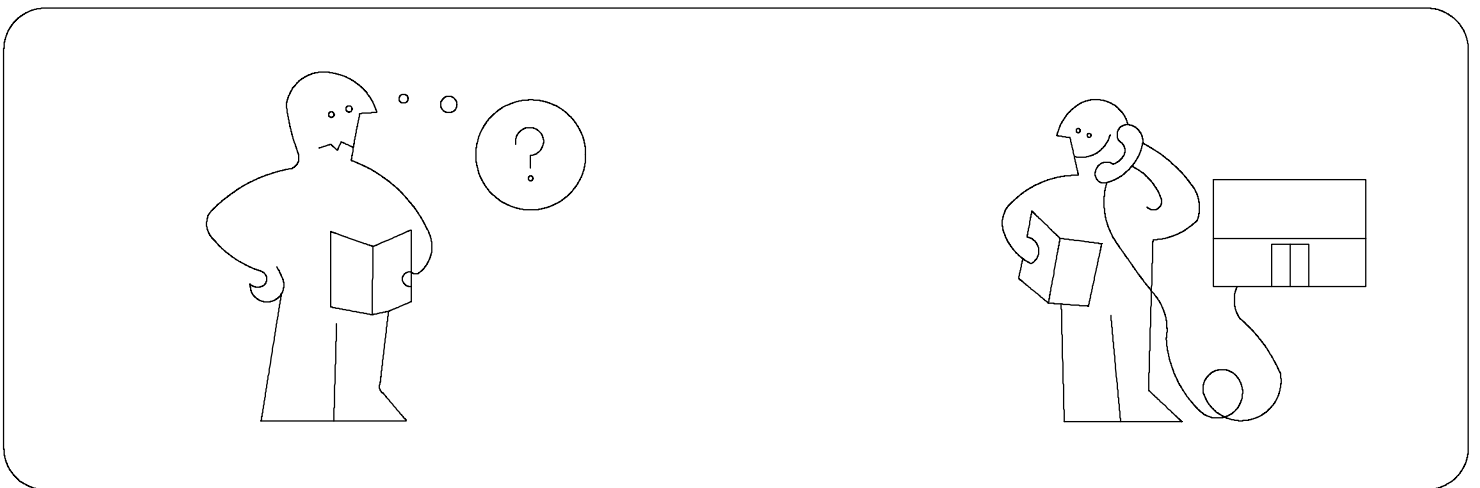
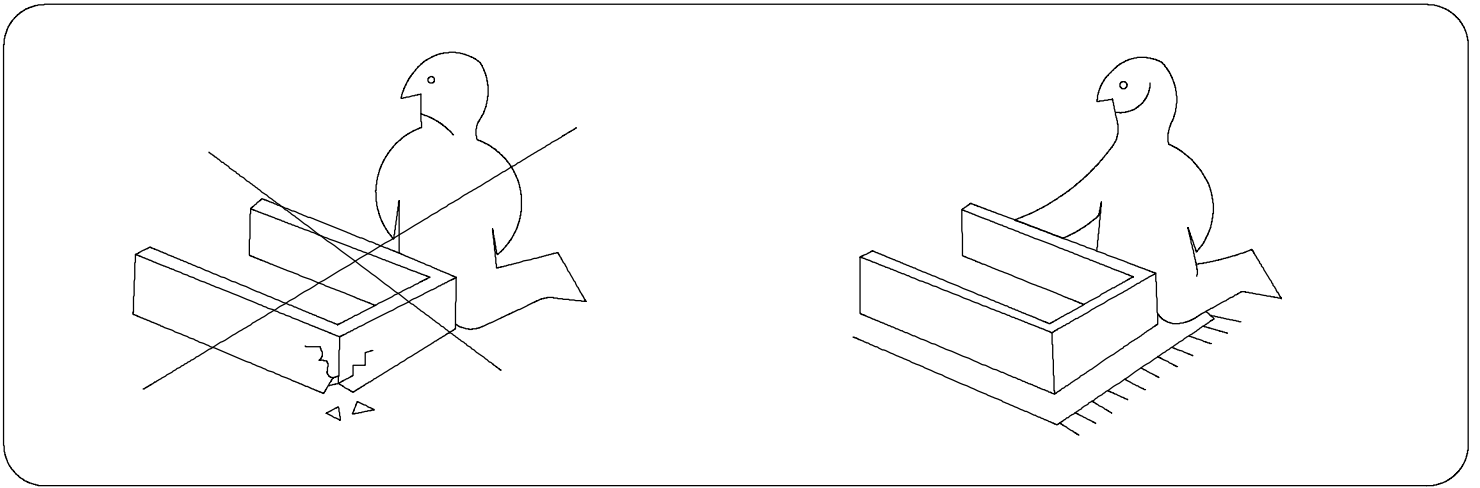
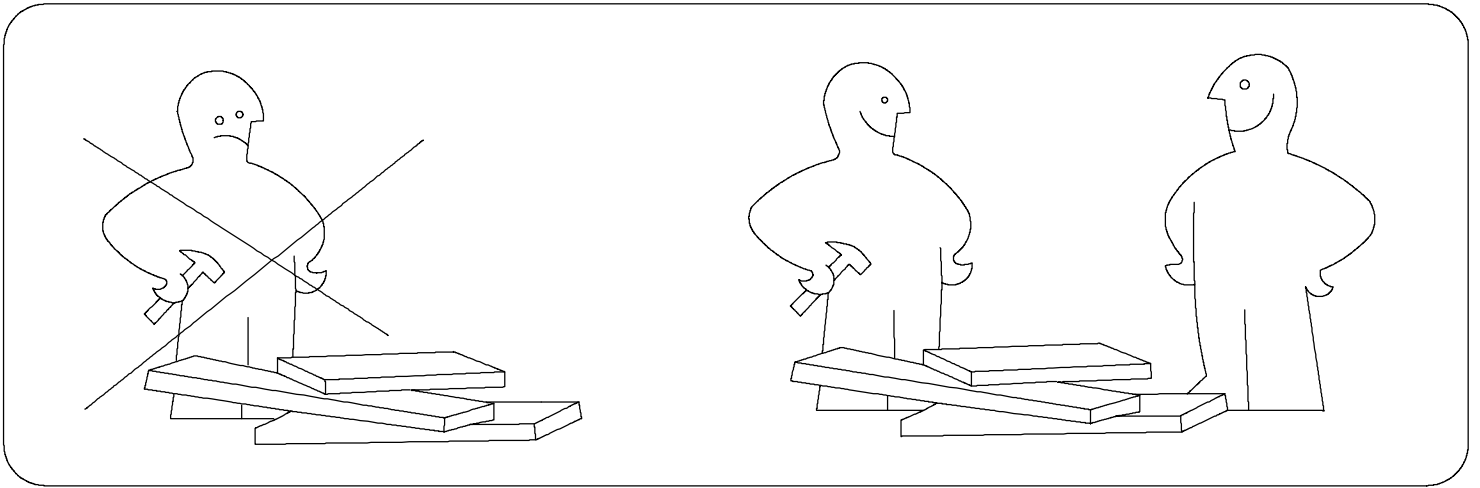
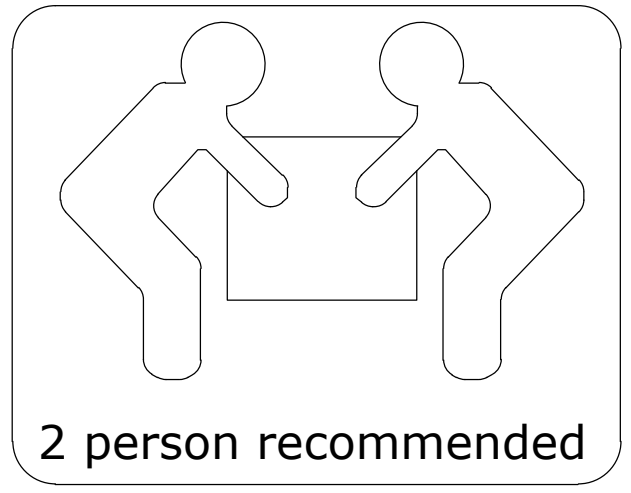
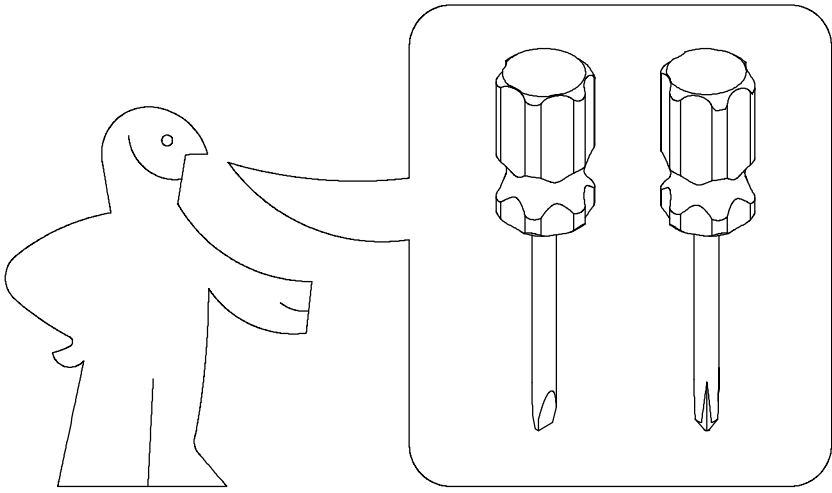
Dimensions(W x D x H)

160\*40\*74cm

---

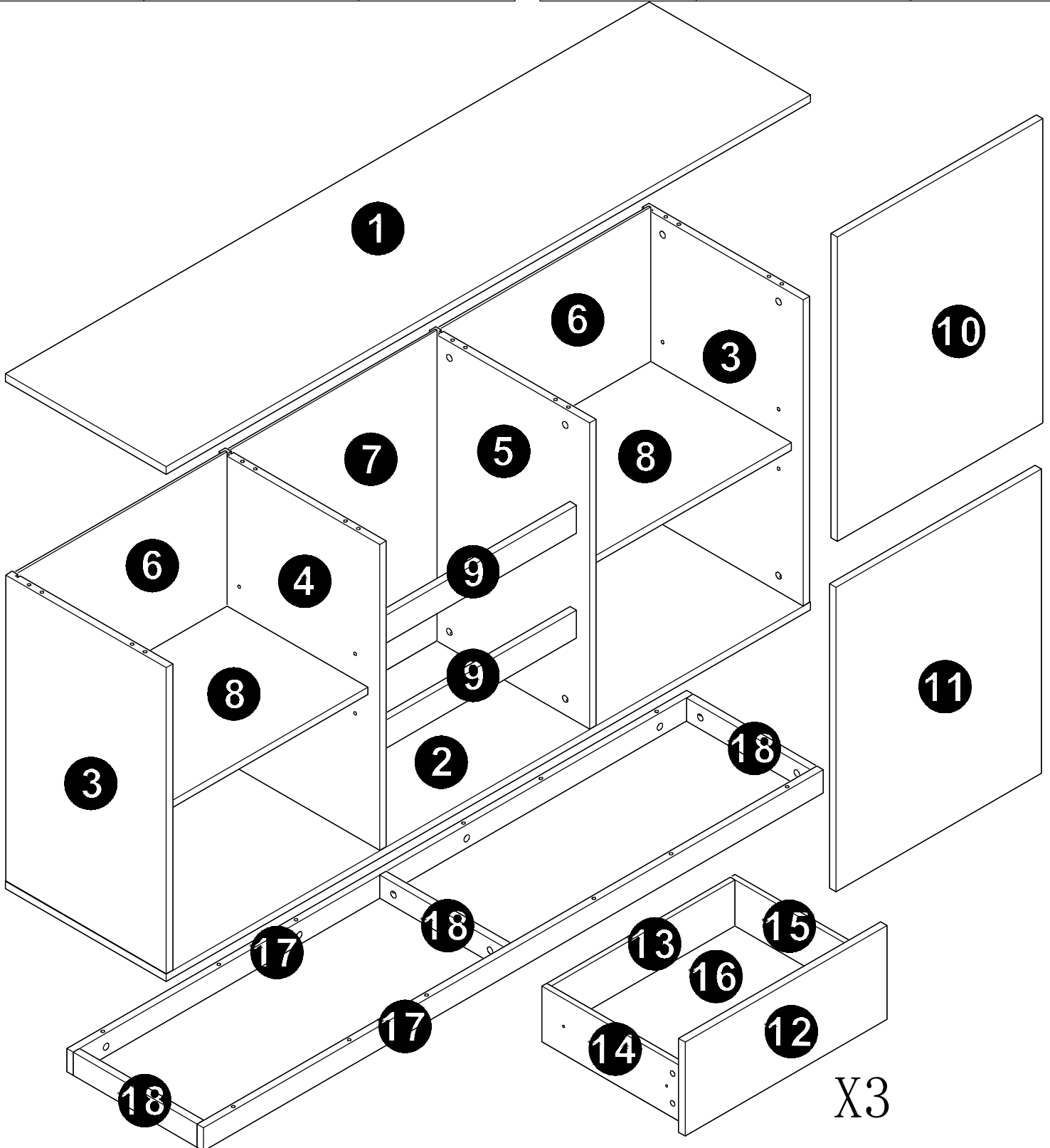
### Important

Please read through instruction carefully  
Before assembly and keep for future reference.



| Panel No | Panel Sizes | Quantity |
|----------|-------------|----------|
| 1        | 1600*400*16 | 1        |
| 2        | 1600*400*16 | 1        |
| 3        | 658*399*16  | 2        |
| 4        | 658*399*16  | 1        |
| 5        | 658*399*16  | 1        |
| 6        | 668*524*5   | 2        |
| 7        | 668*516*5   | 1        |
| 8        | 511*350*16  | 2        |
| 9        | 506*60*16   | 2        |

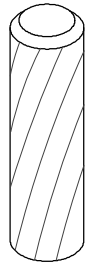
| Panel No | Panel Sizes | Quantity |
|----------|-------------|----------|
| 10       | 654*510*16  | 1        |
| 11       | 654*510*16  | 1        |
| 12       | 502*202*16  | 3        |
| 13       | 456*120*12  | 3        |
| 14       | 350*120*12  | 3        |
| 15       | 350*120*12  | 3        |
| 16       | 466*348*5   | 3        |
| 17       | 1540*50*16  | 2        |
| 18       | 308*50*16   | 3        |



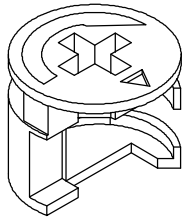
# Fittings



A=37



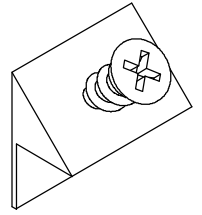
B=24



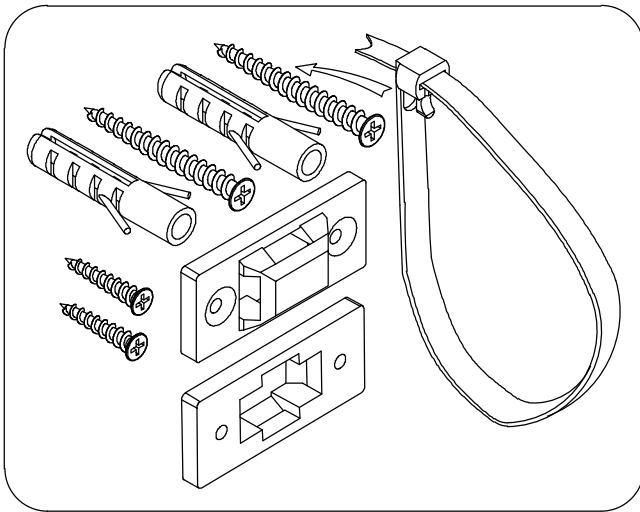
C=37



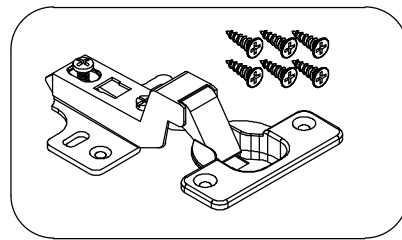
D=61



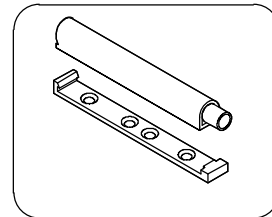
E=12



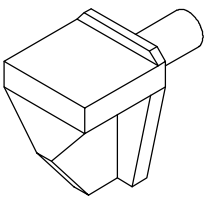
F=1



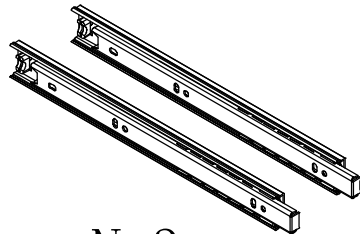
I3=4



K=2



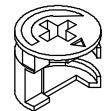
L=8



N=3



O=24



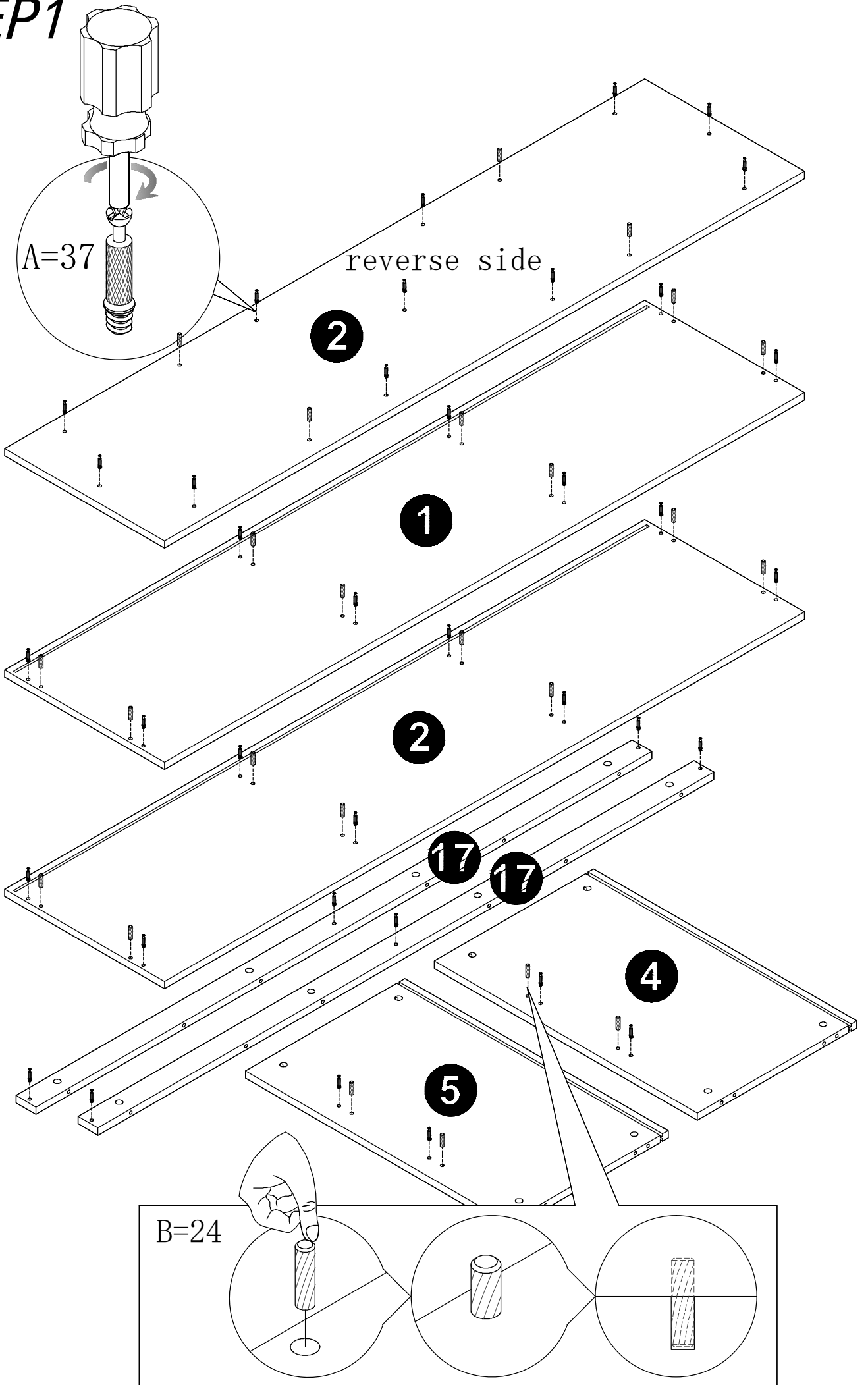
P=24



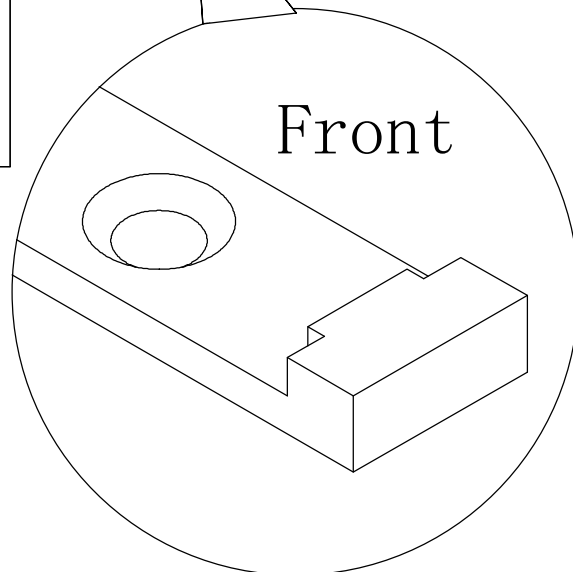
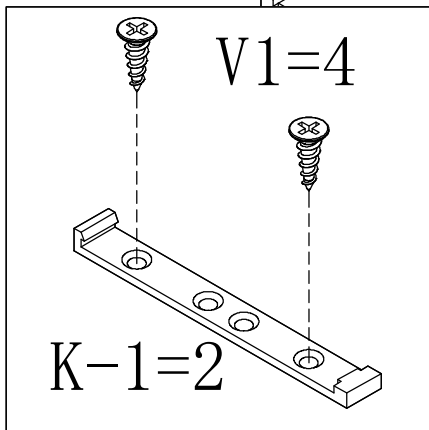
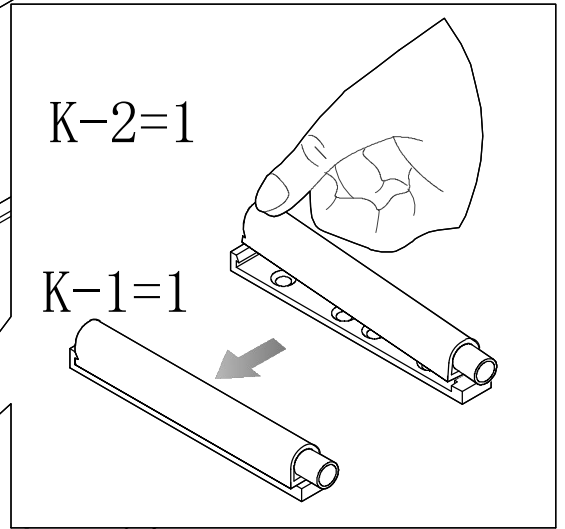
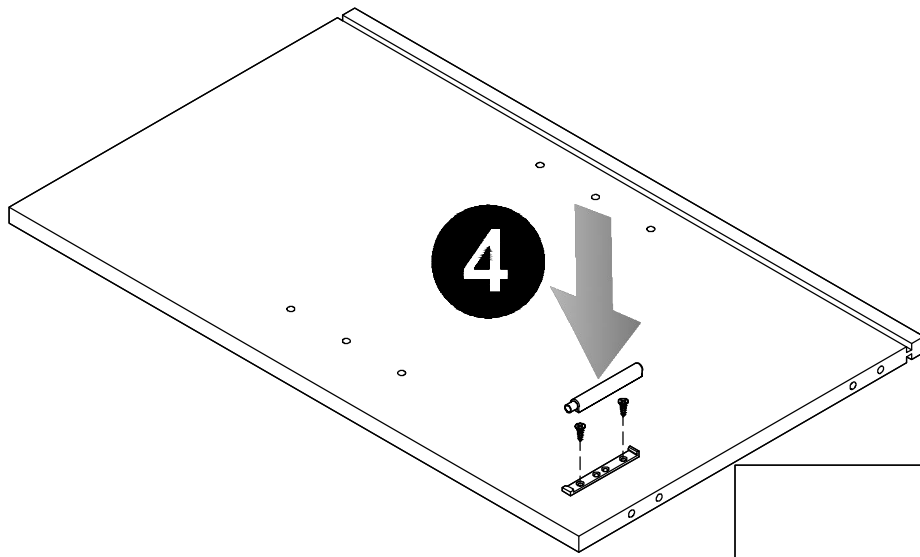
M3. 5\*12

V1=28

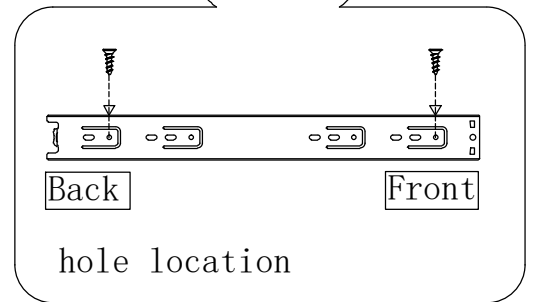
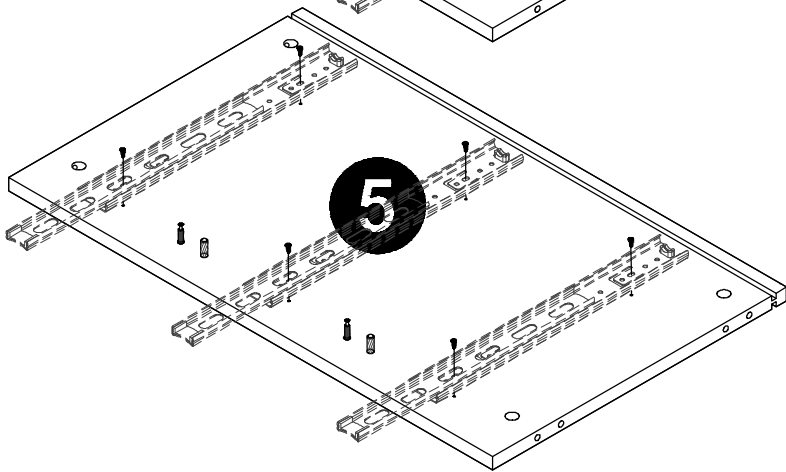
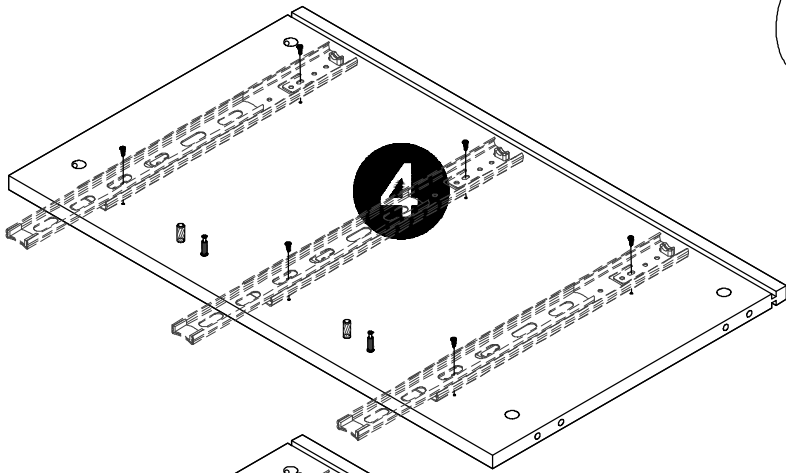
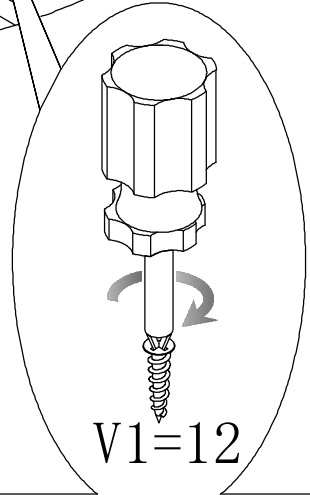
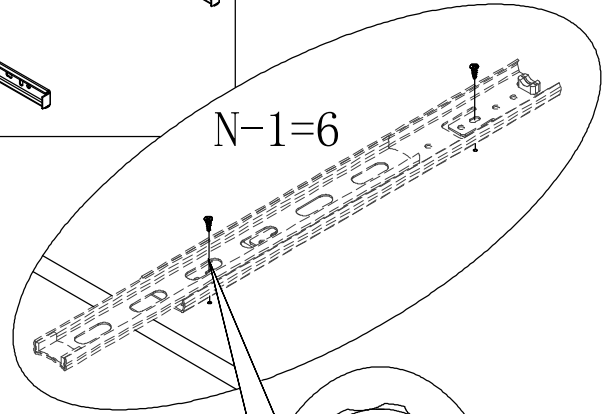
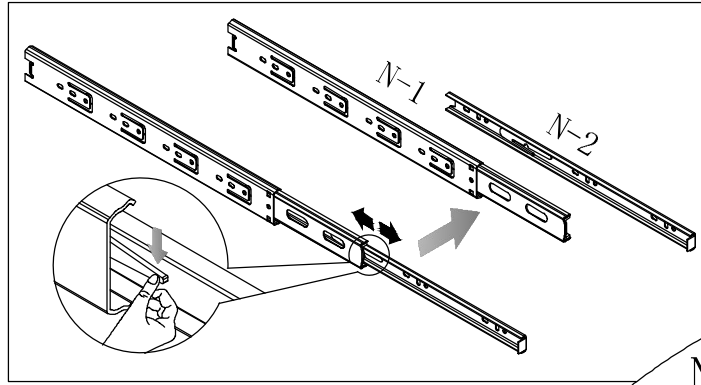
# STEP 1



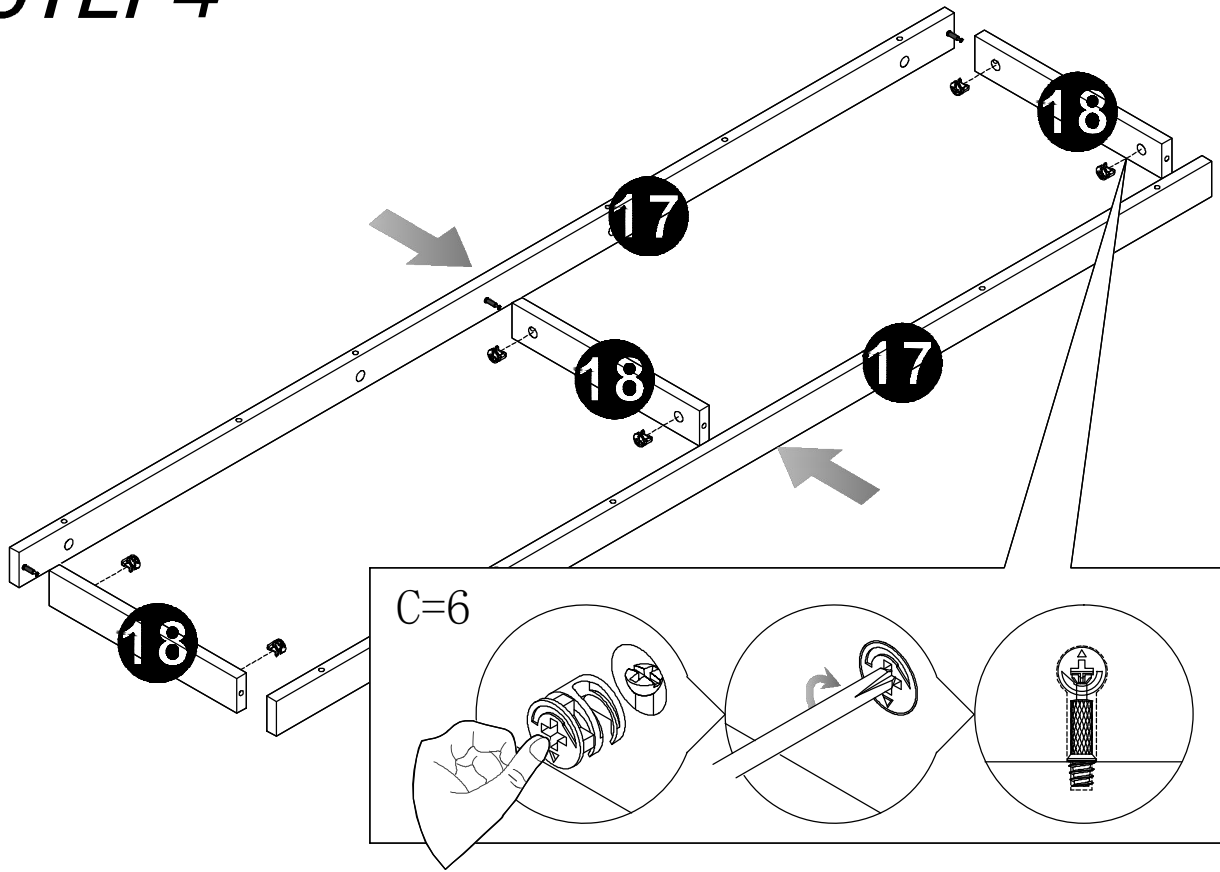
# STEP 2



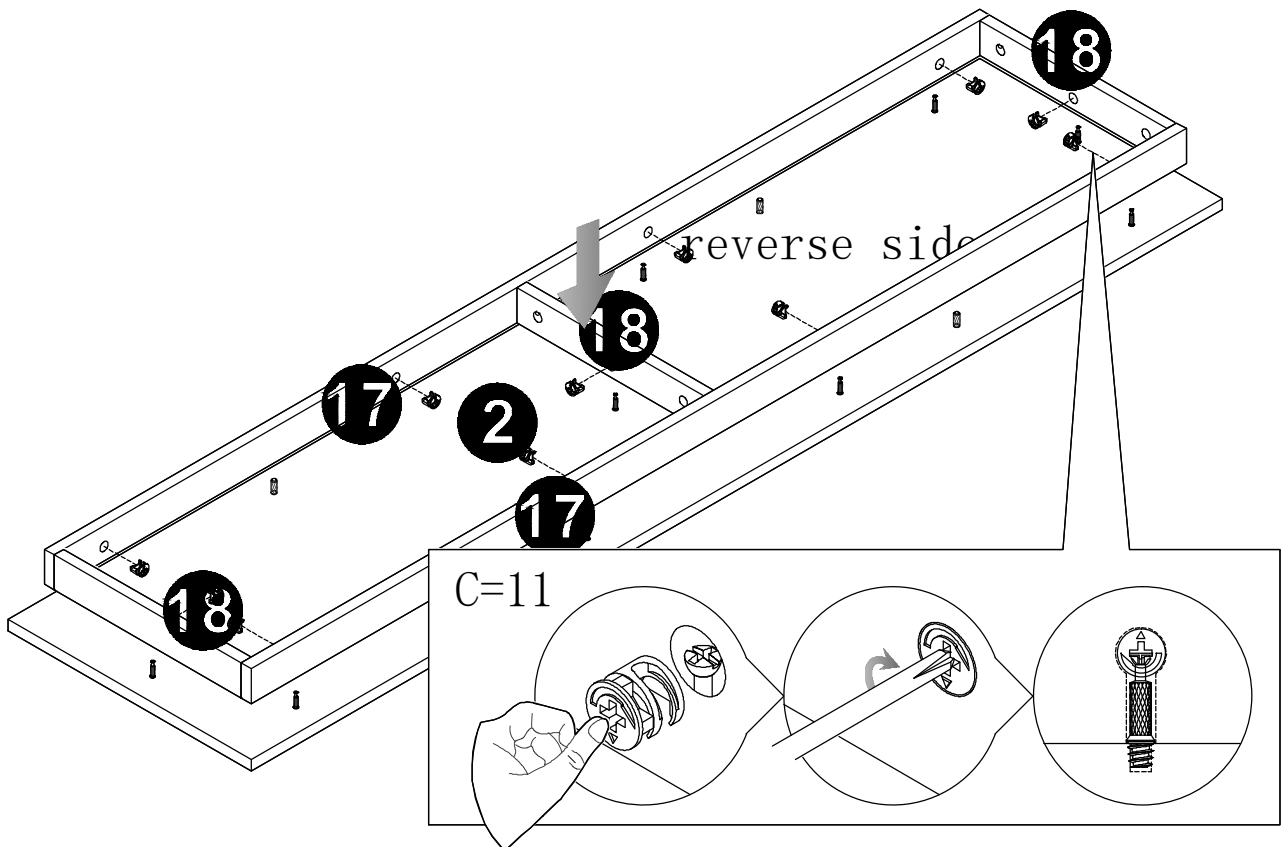
# STEP 3



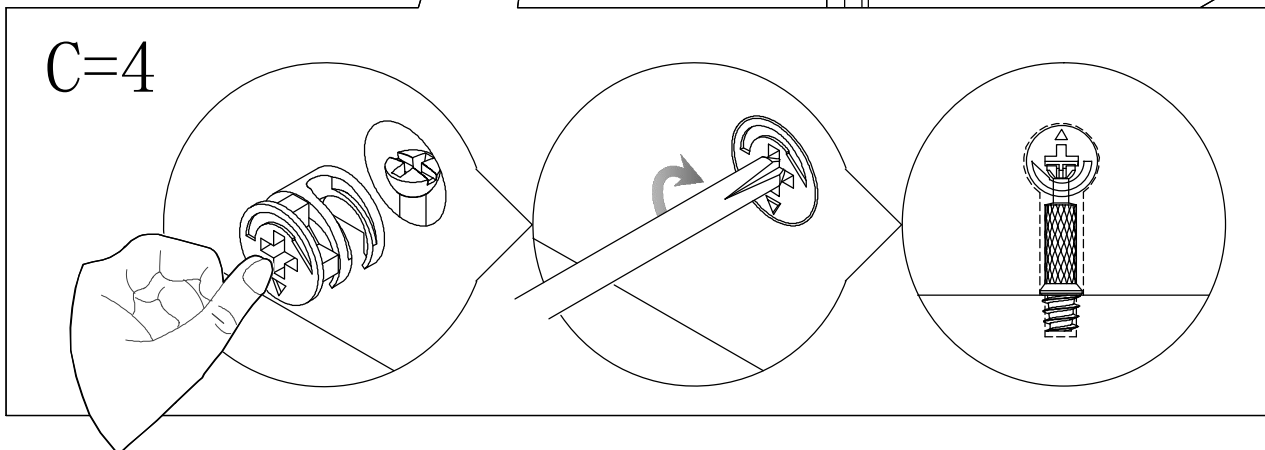
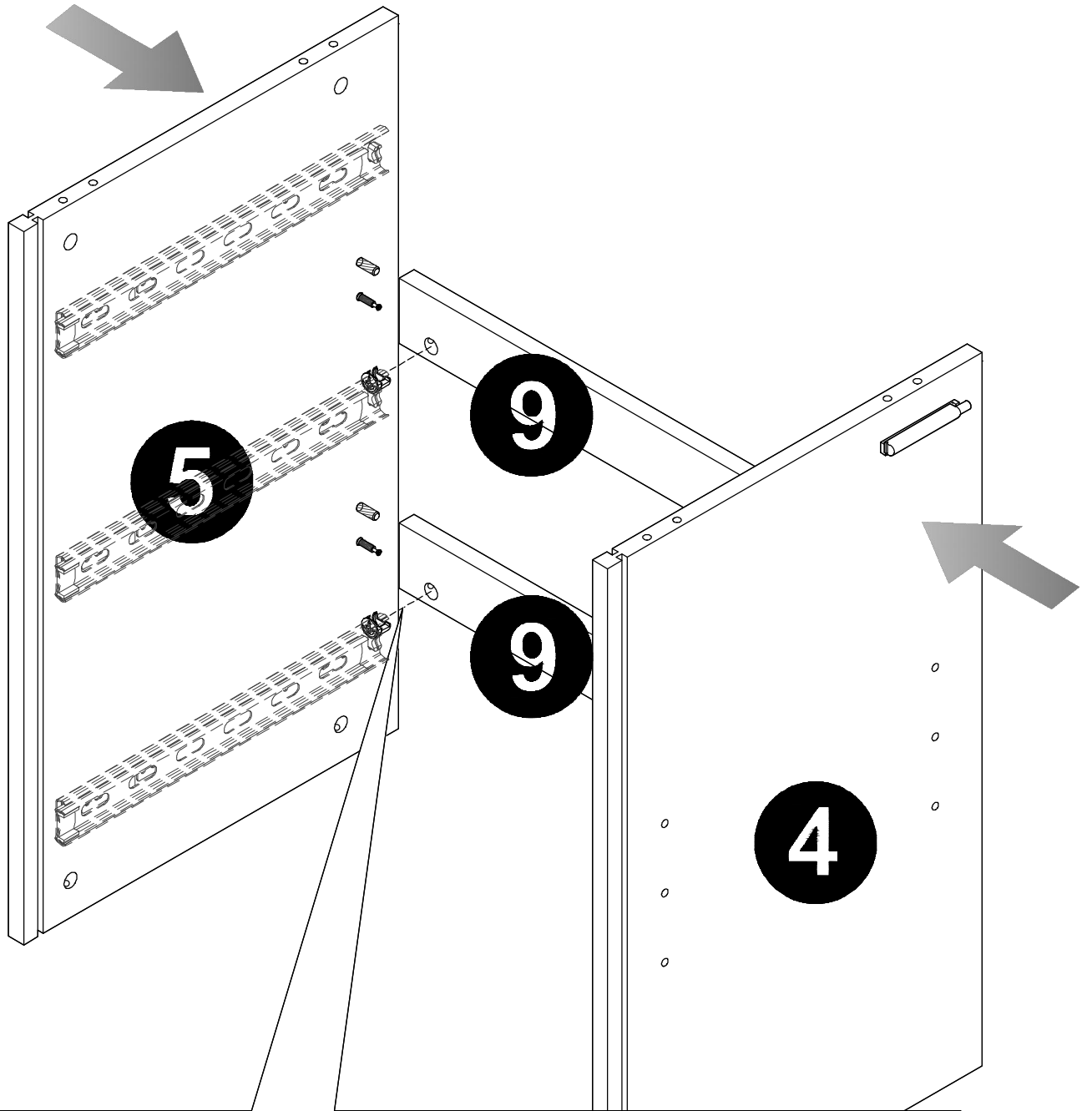
# STEP4



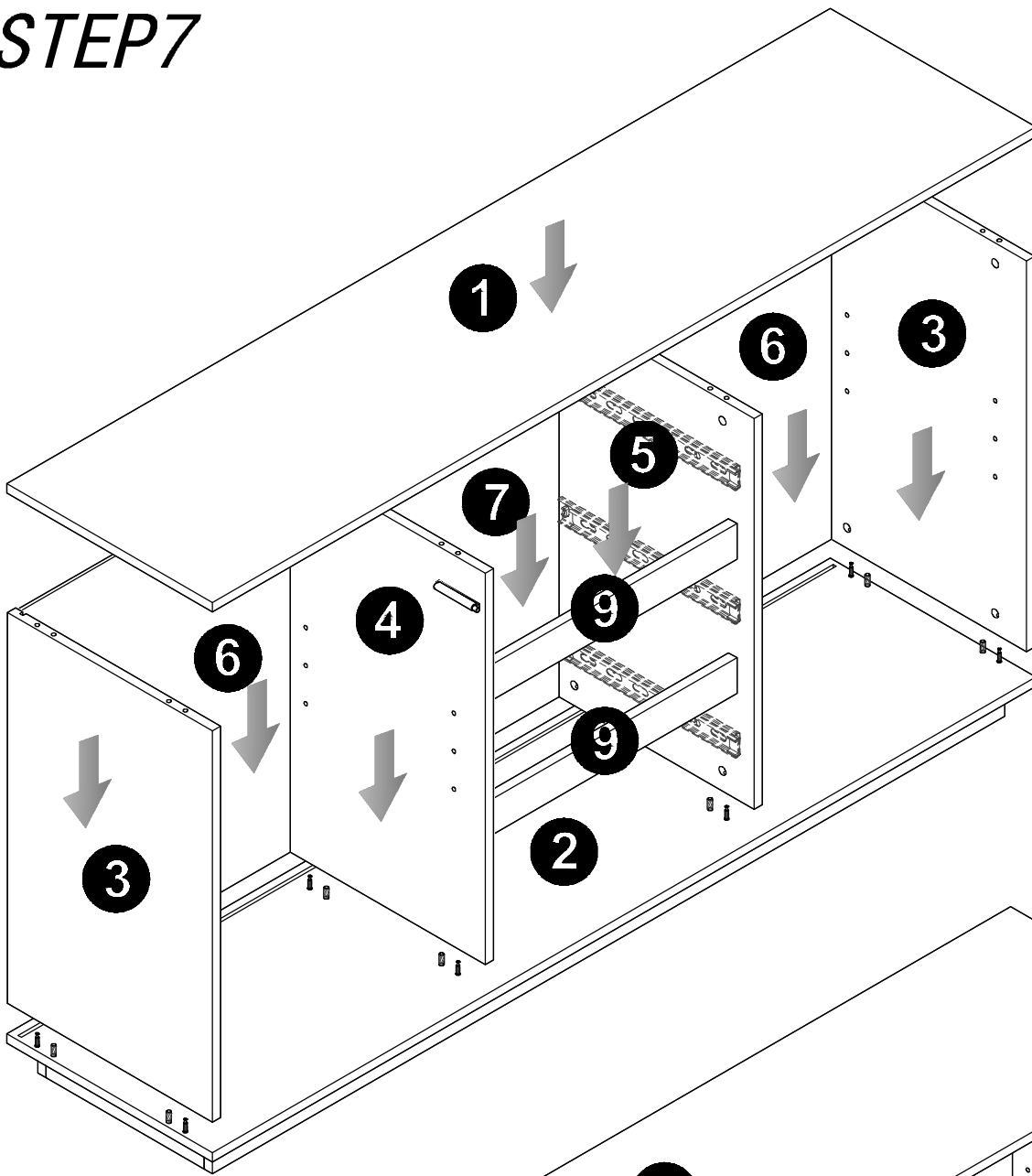
# STEP5



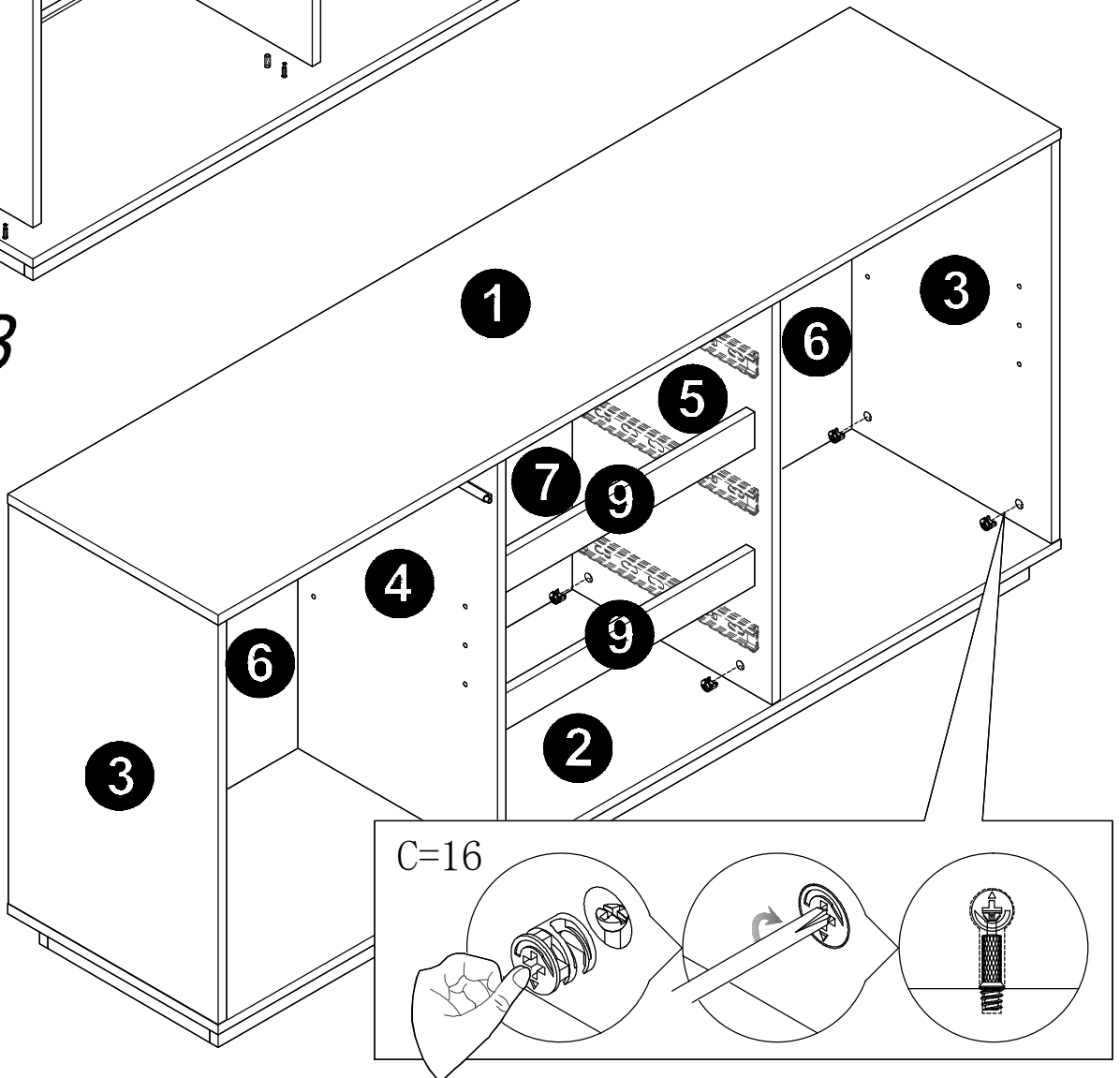
# STEP 6



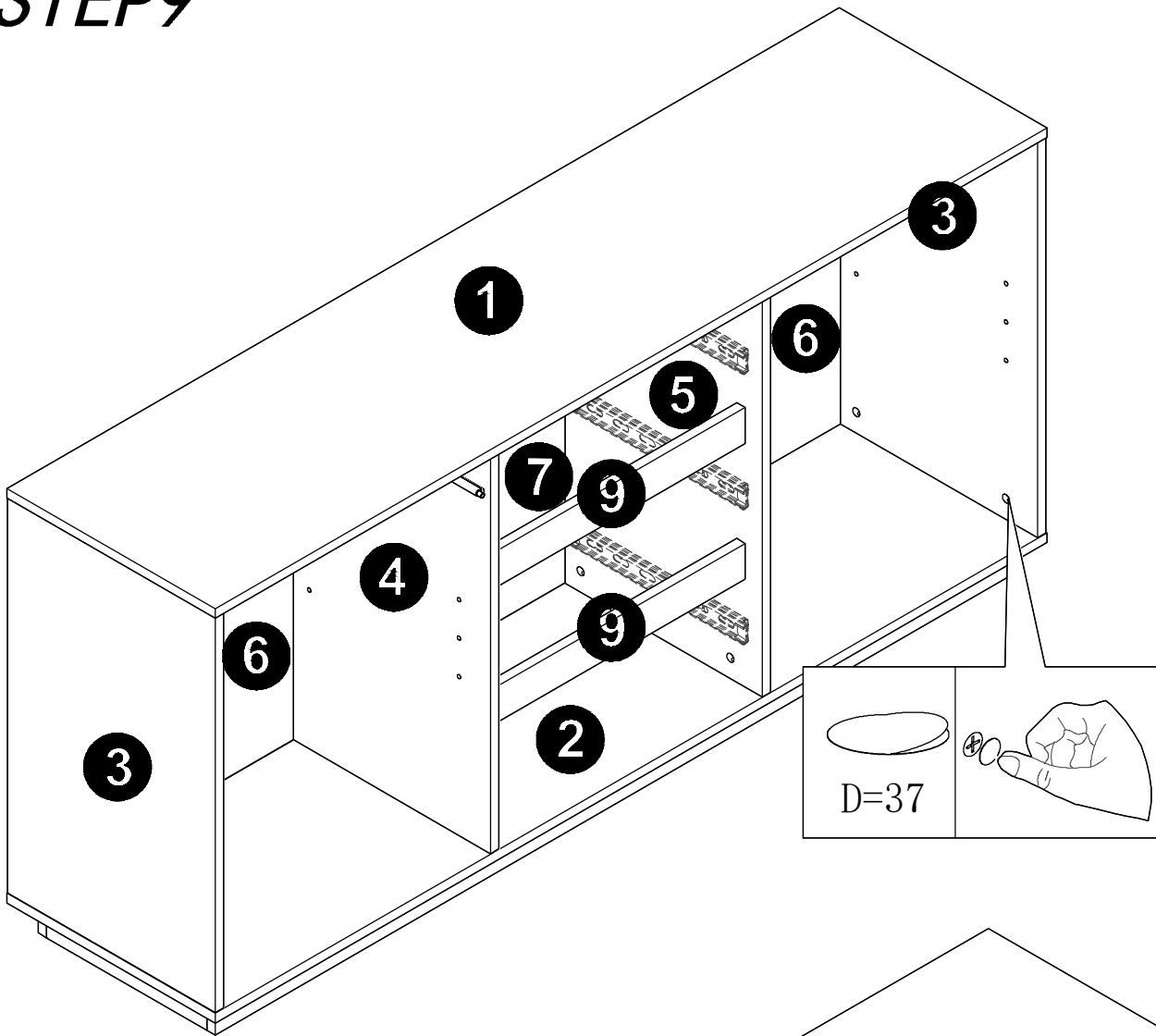
# STEP 7



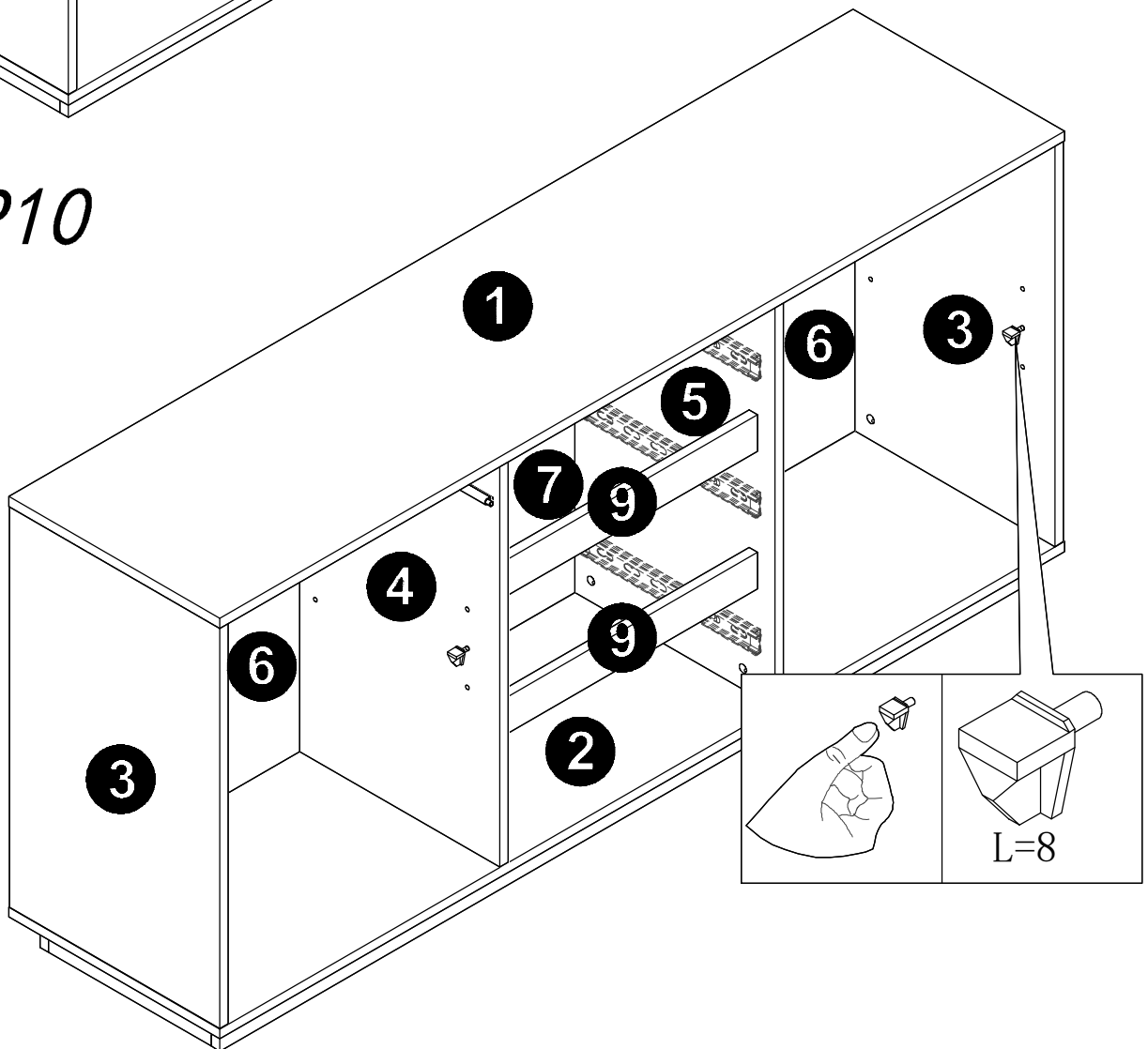
# STEP 8



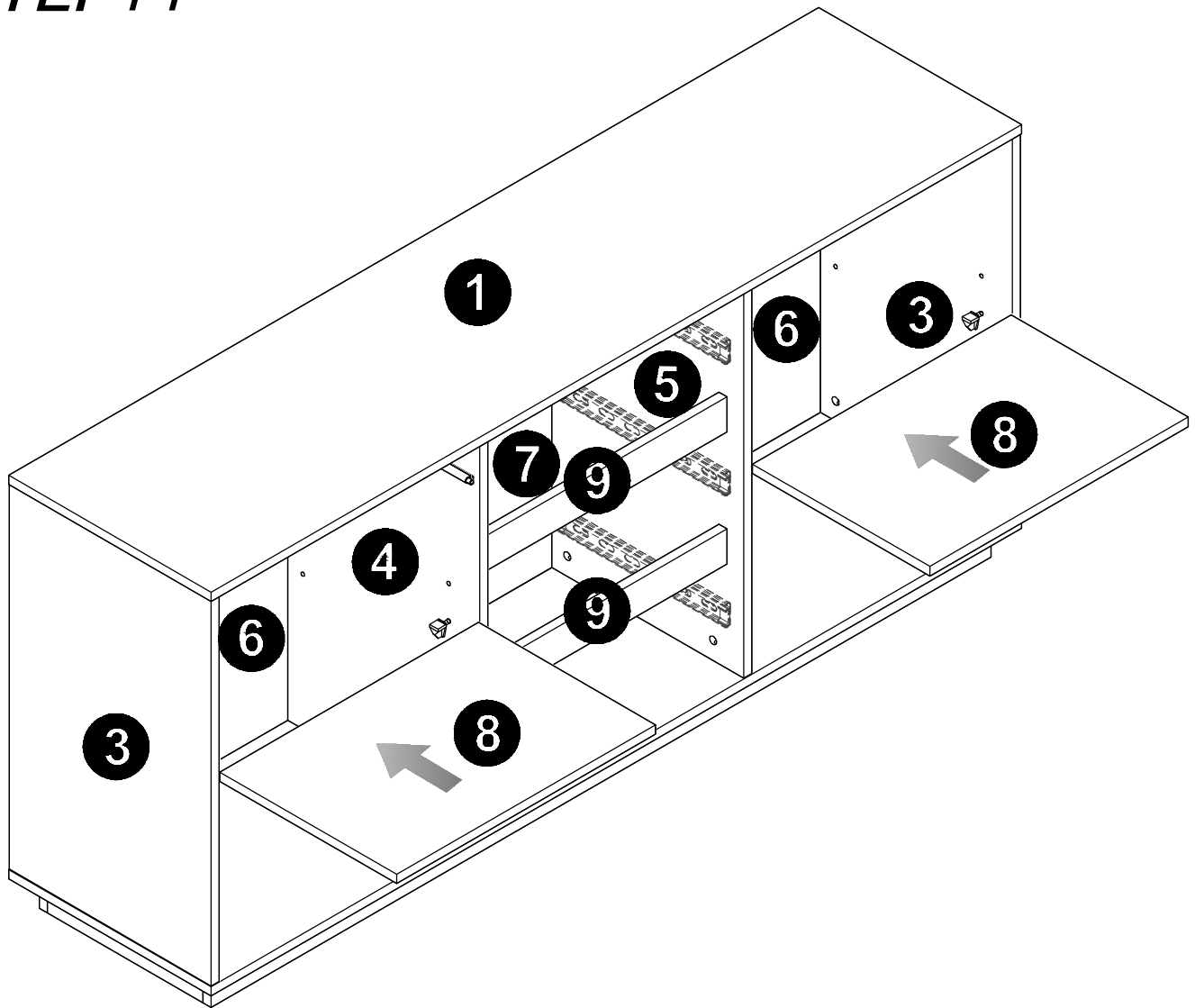
# STEP 9



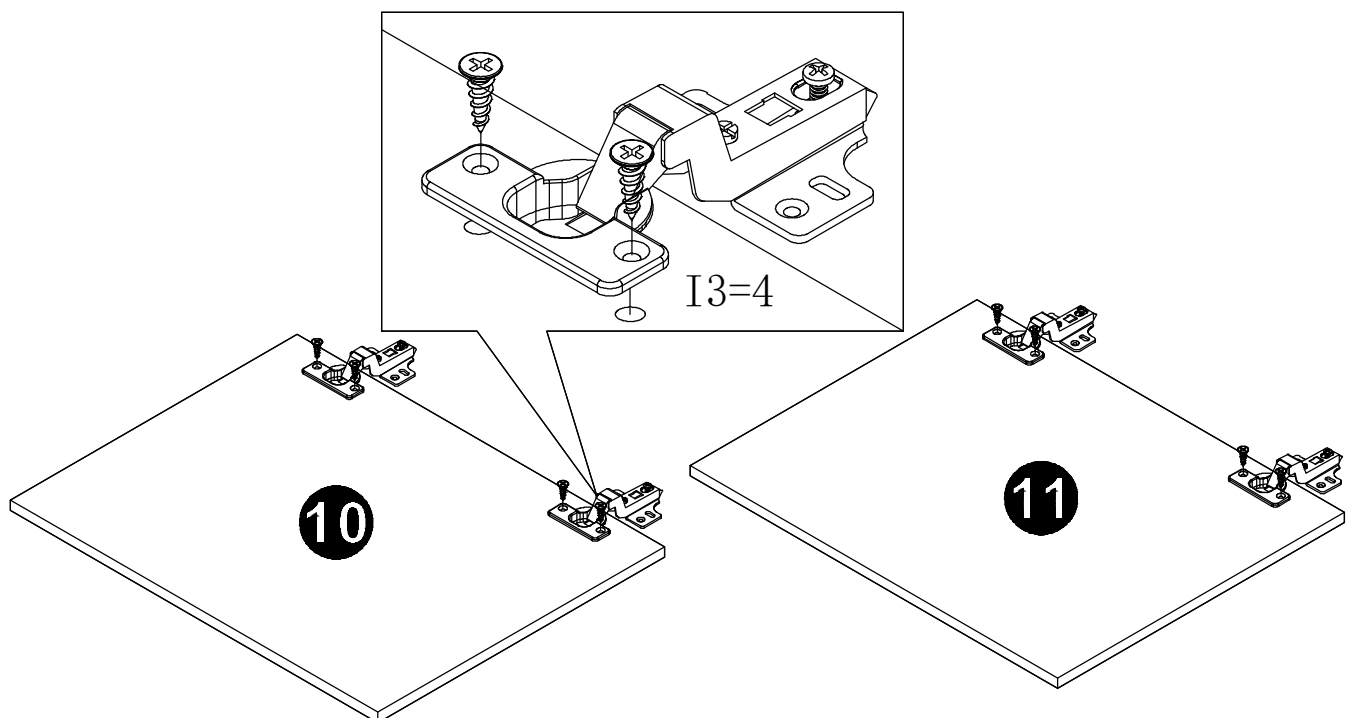
# STEP 10



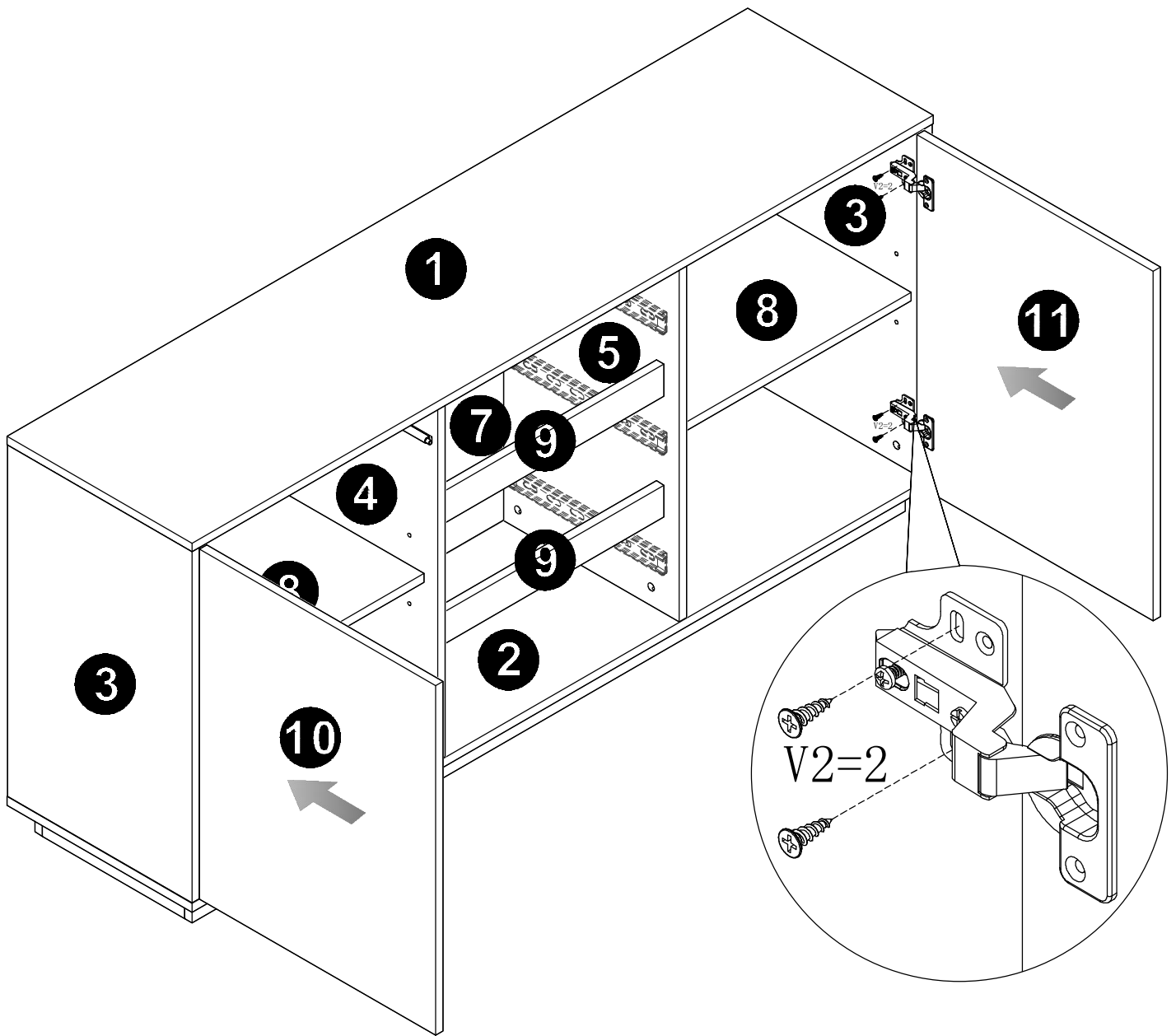
# STEP11



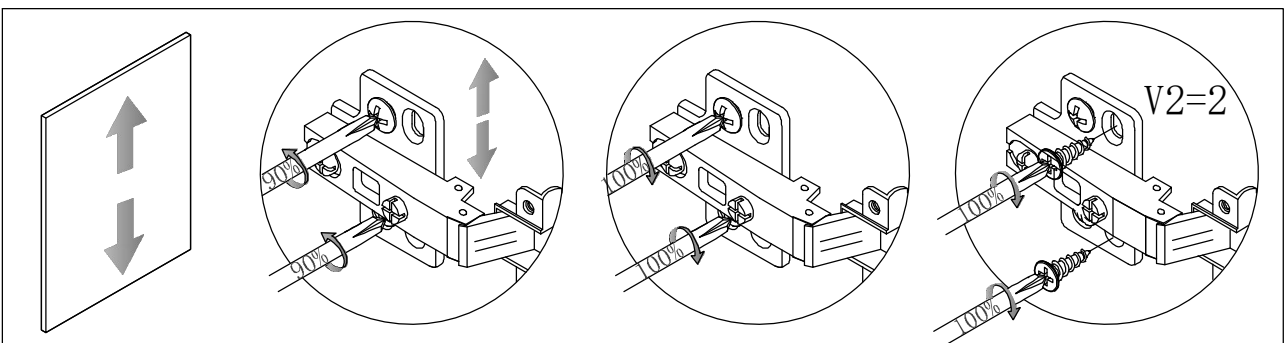
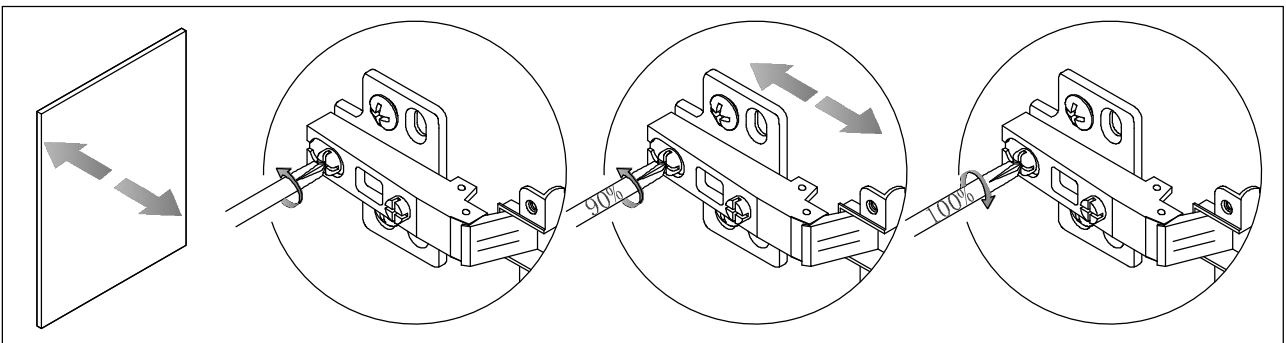
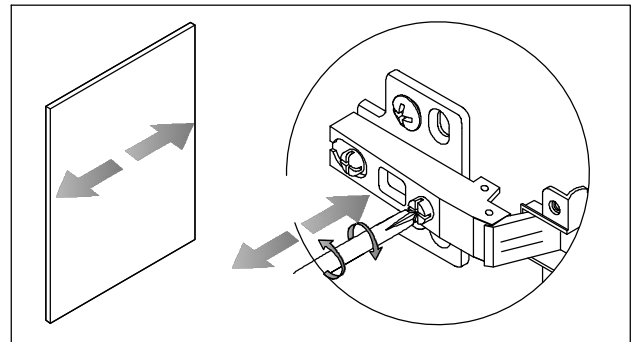
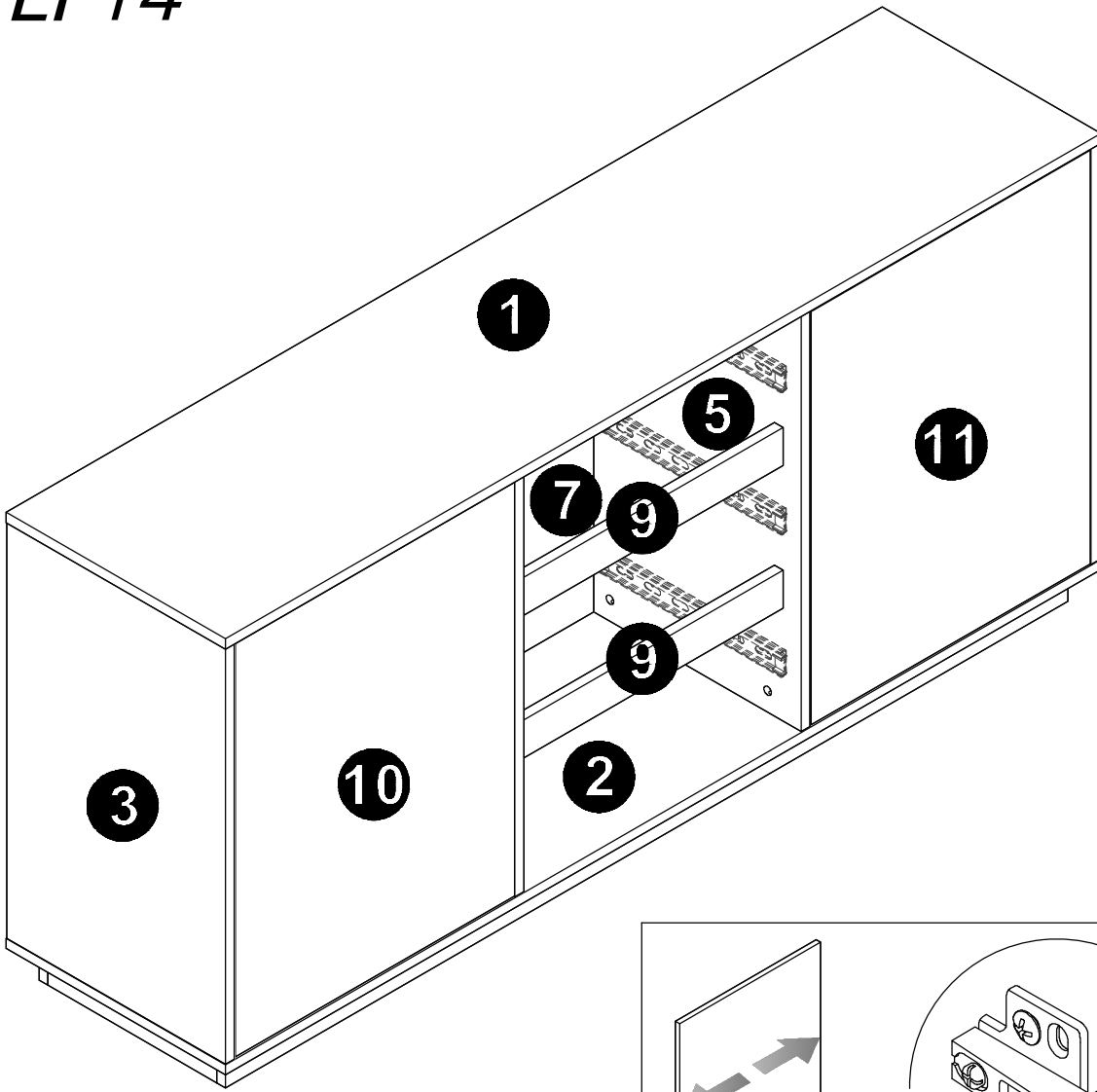
# STEP12



# STEP 13

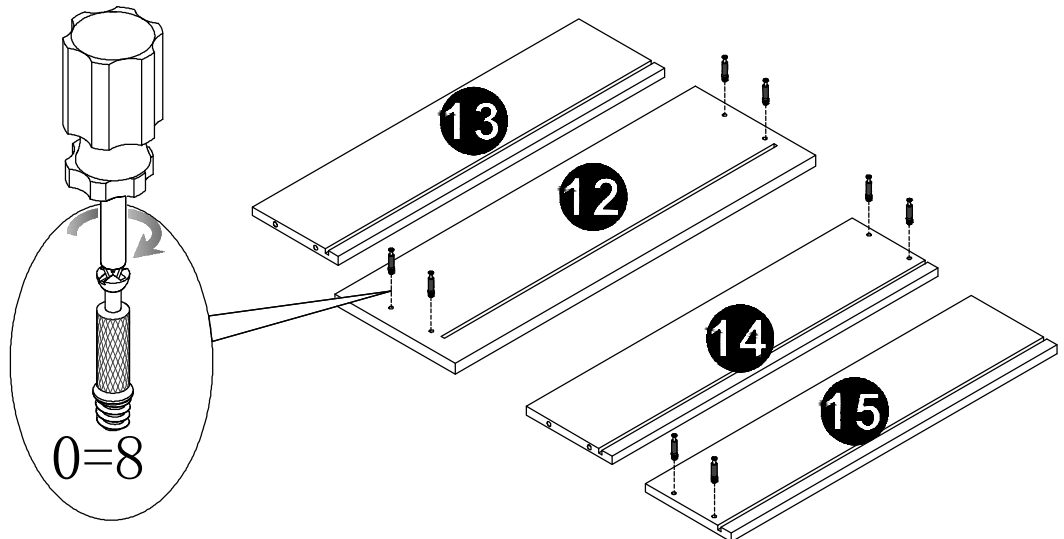


# STEP 14

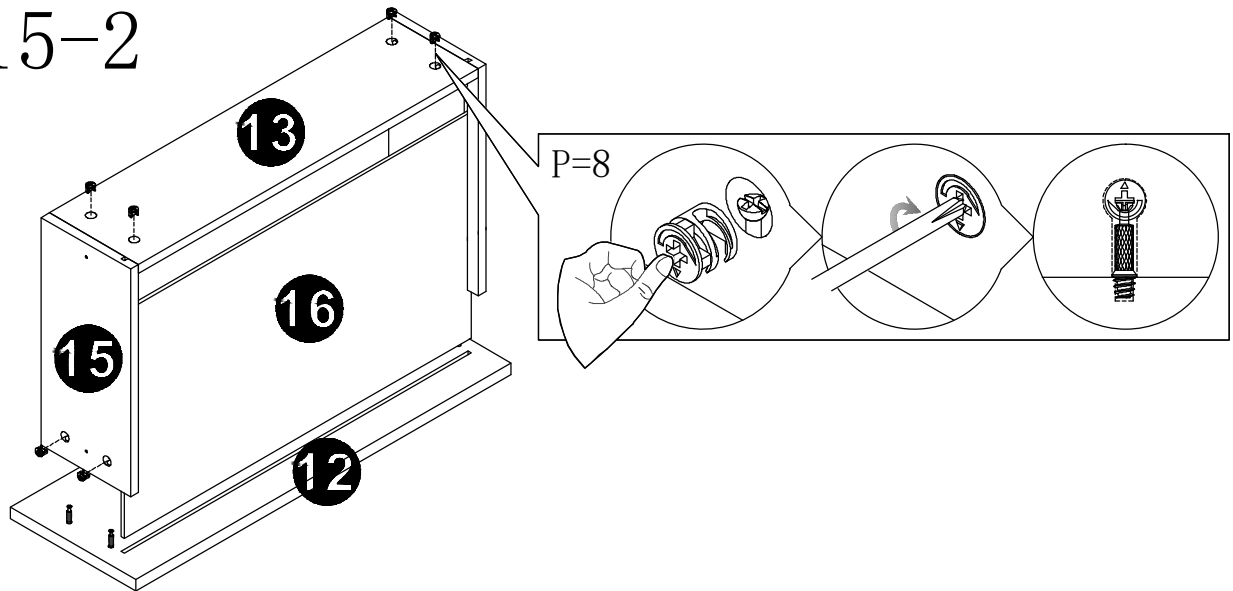


# STEP 15

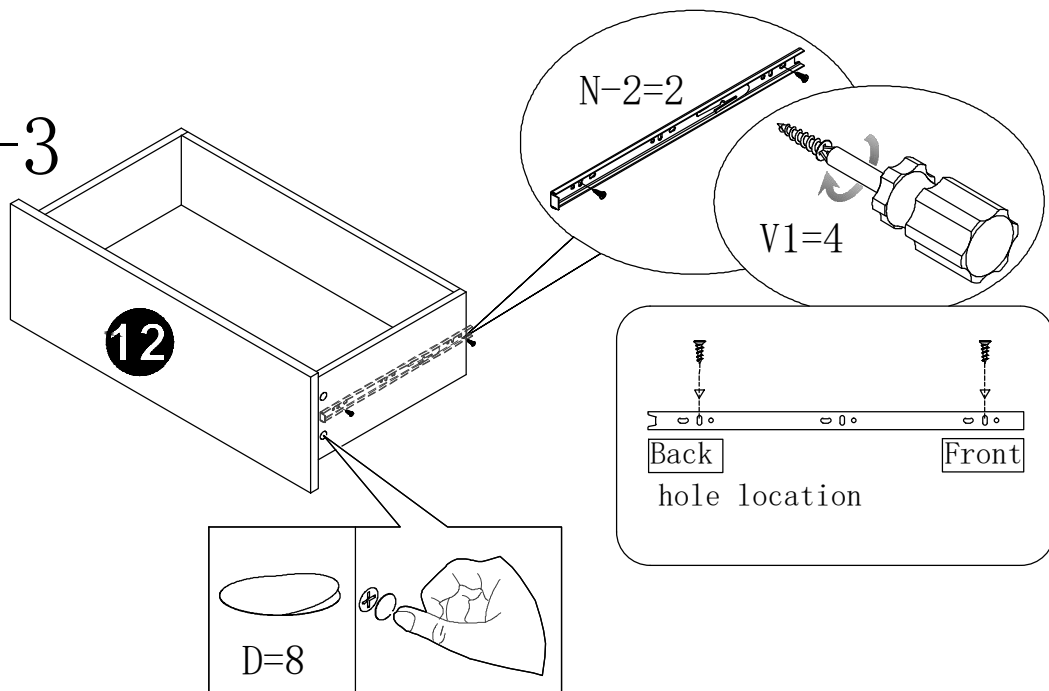
15-1



15-2

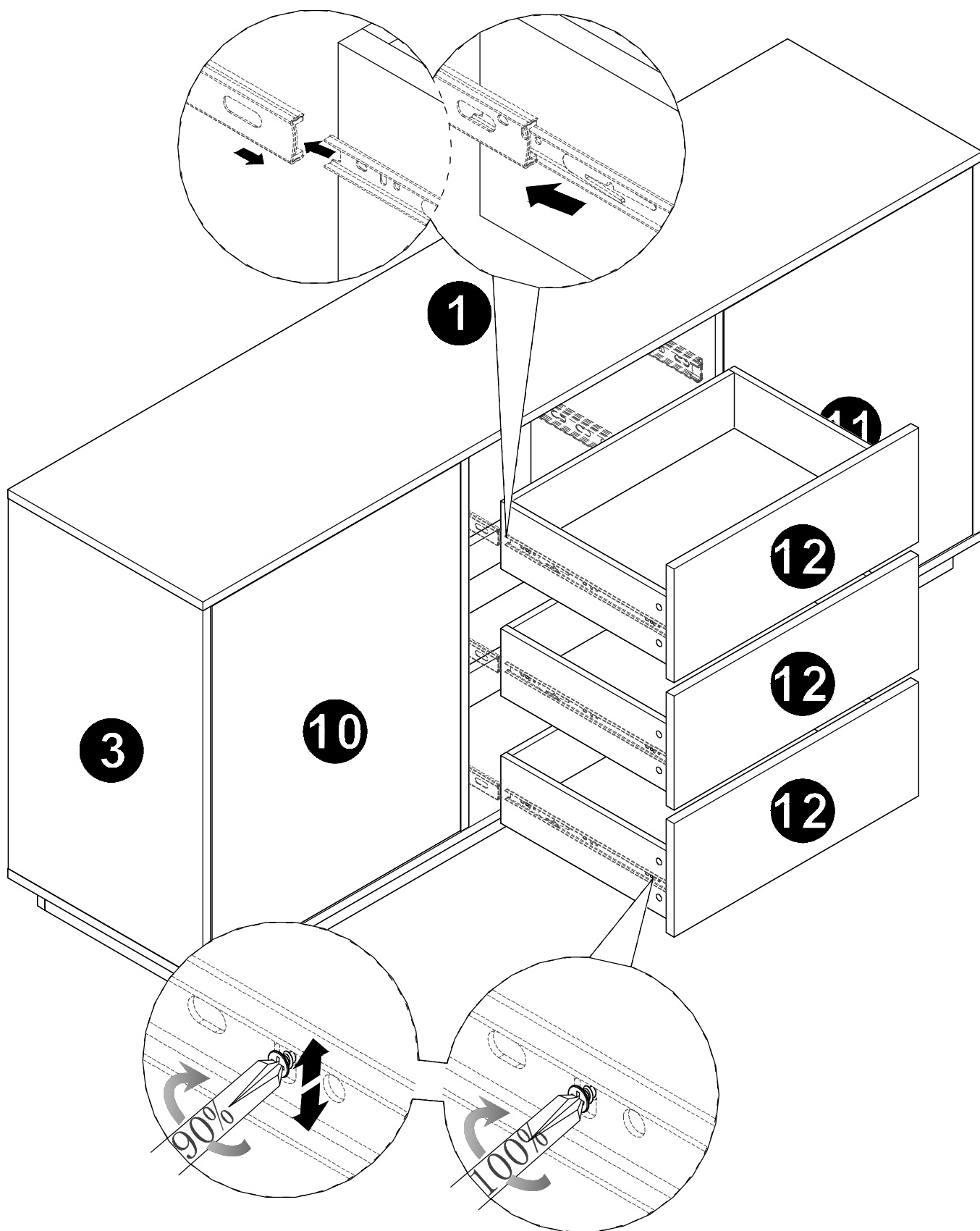


15-3

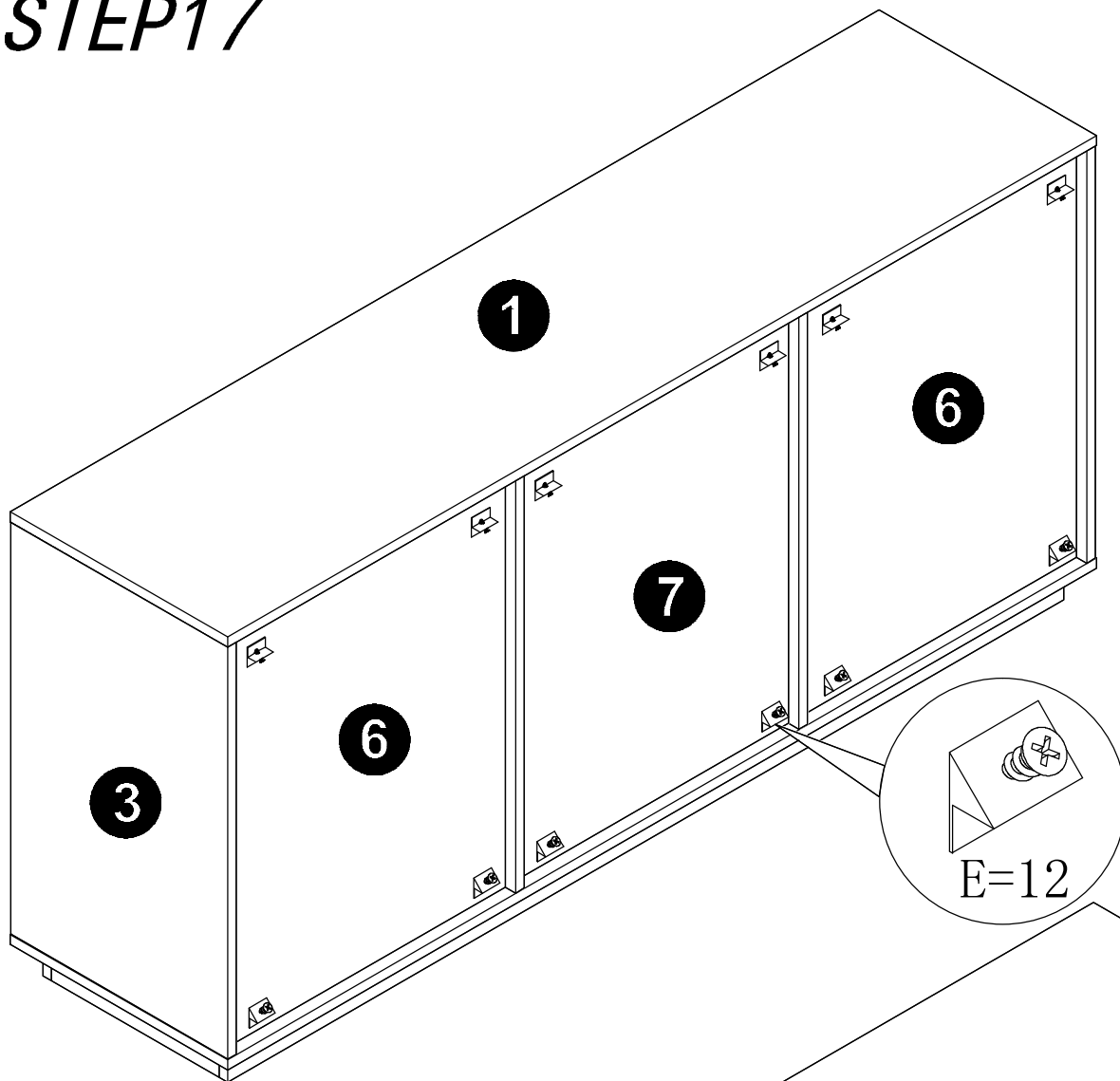


X3

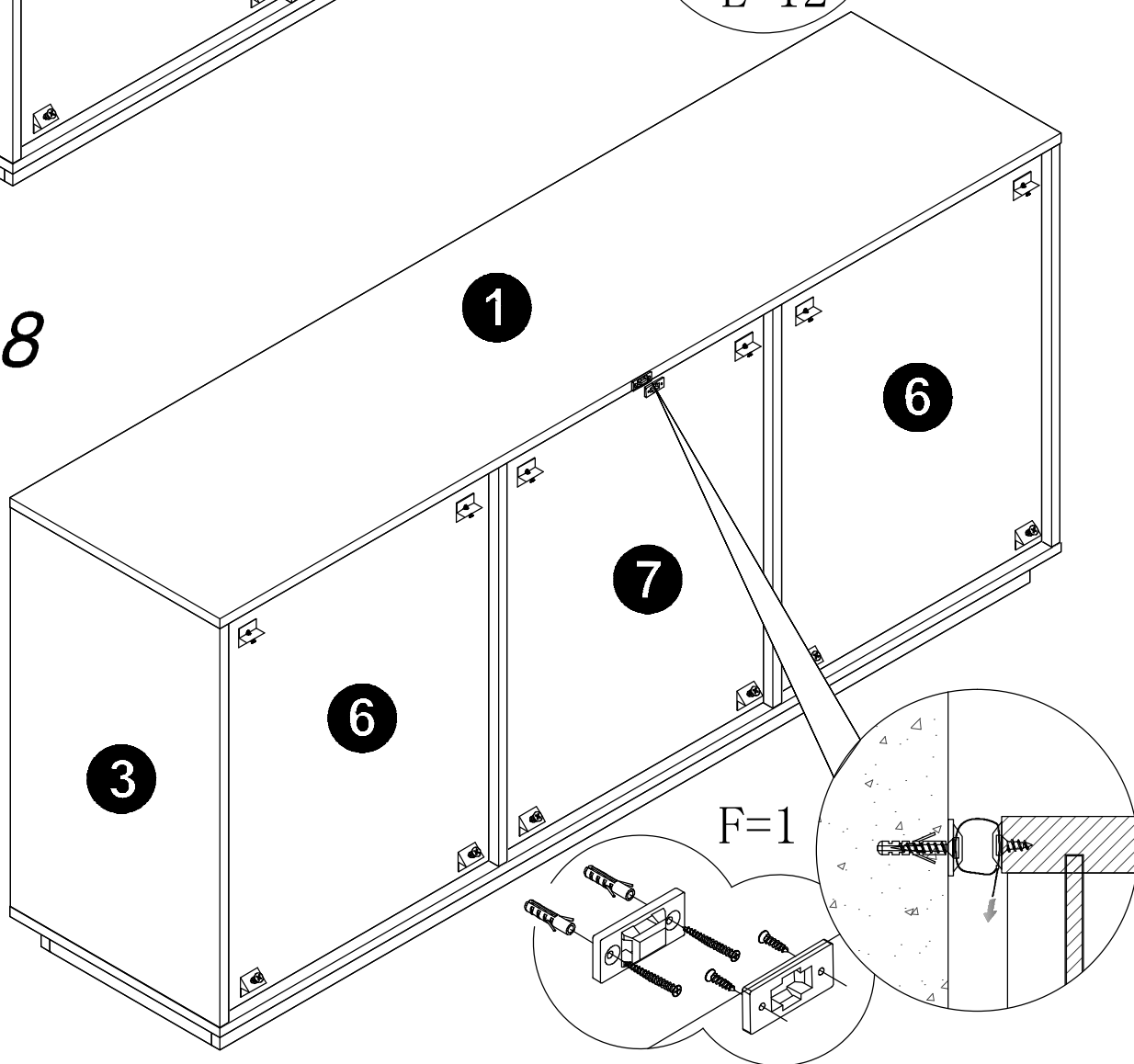
# STEP 16



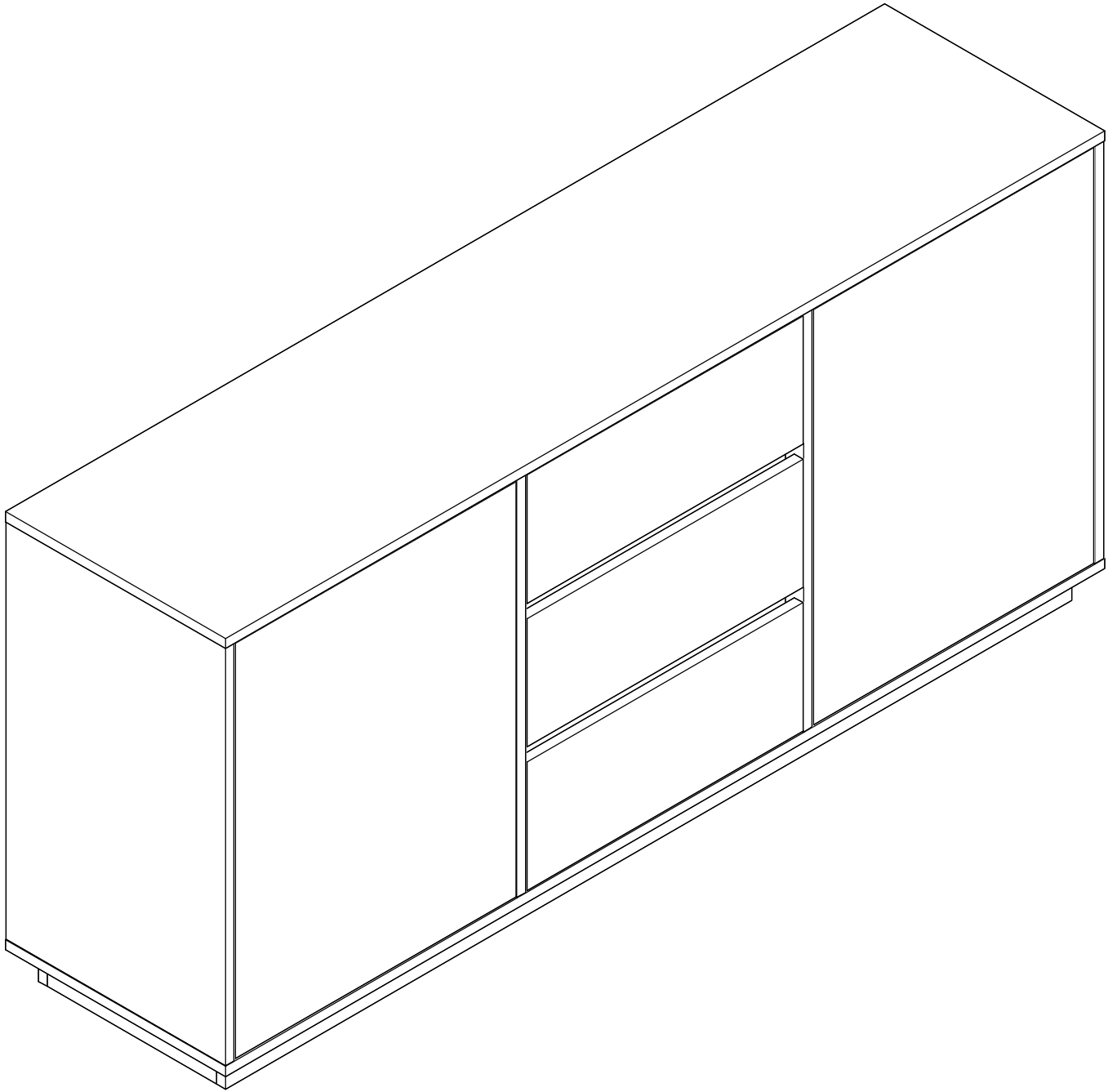
# STEP17



# STEP18



# *STEP 19*



*FINISH*