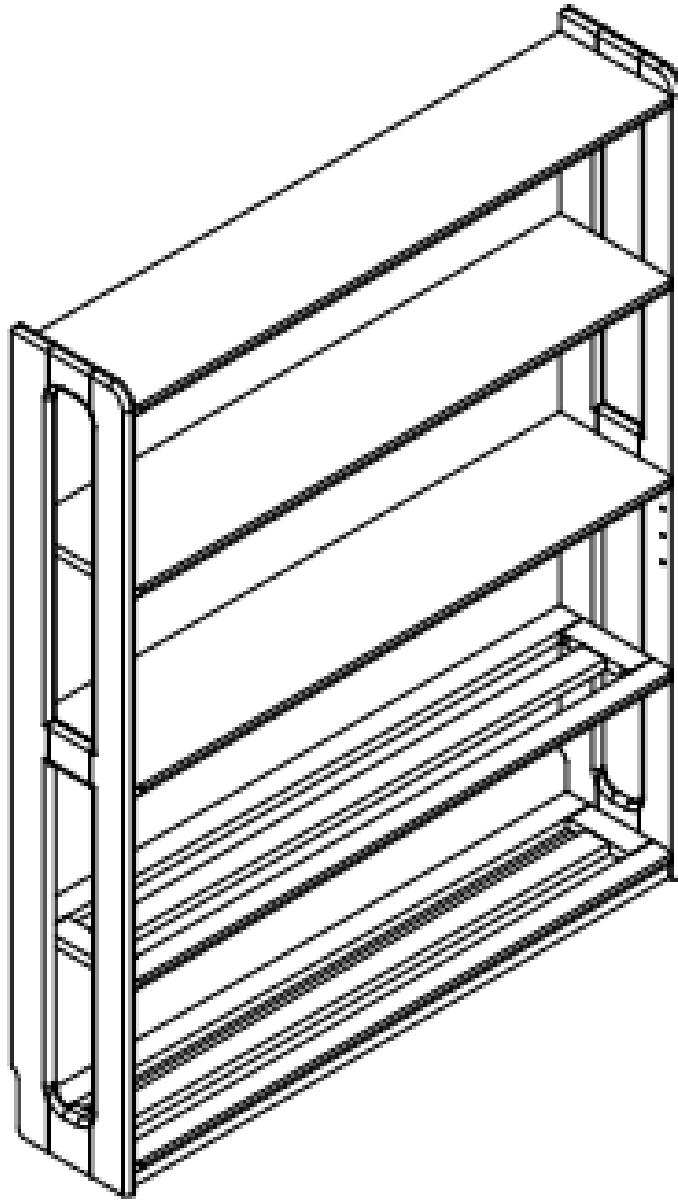
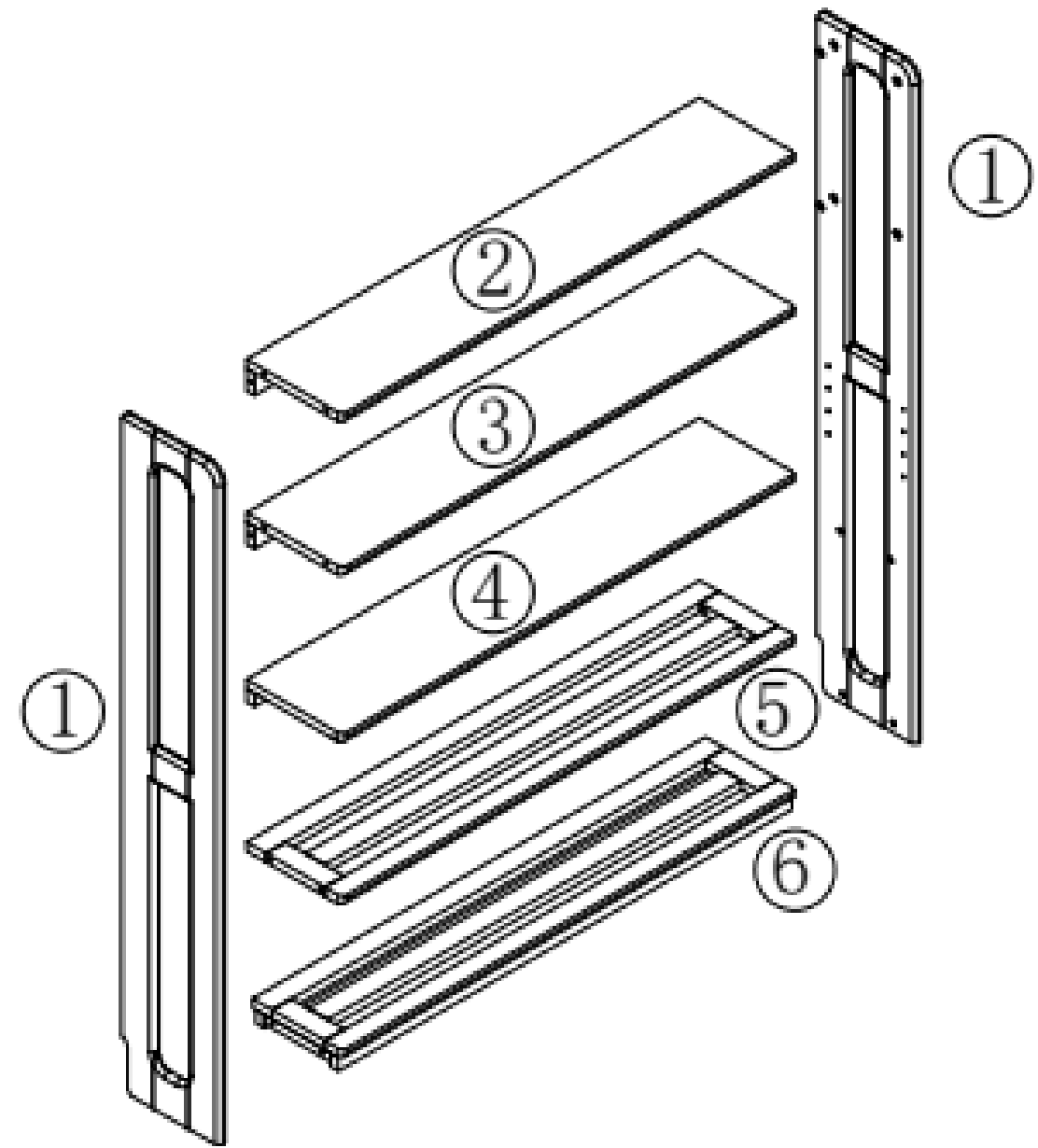


Assembly Manual

Finished Product:



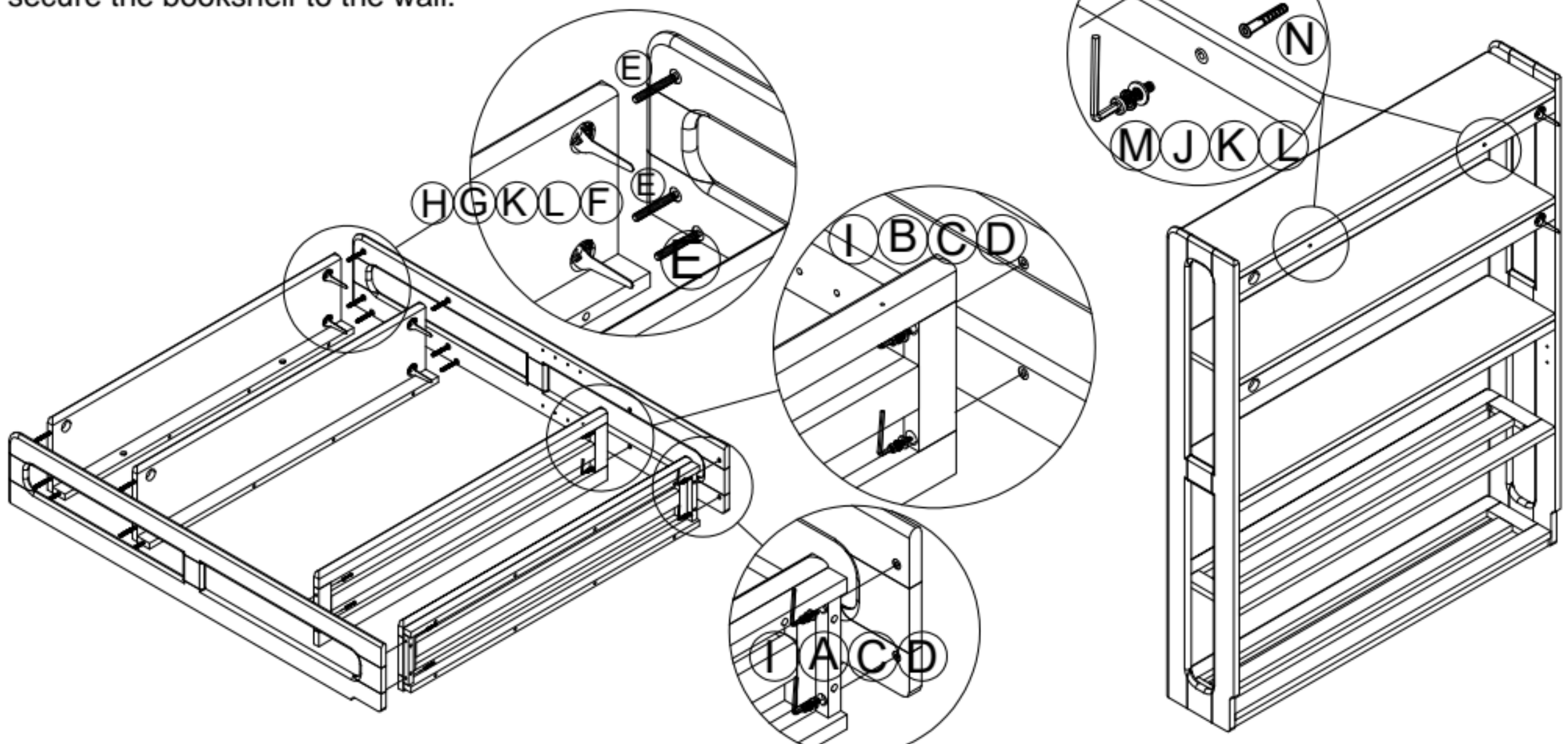
Exploded View:





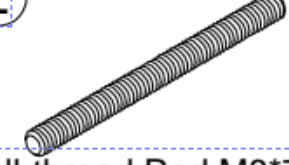
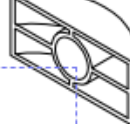


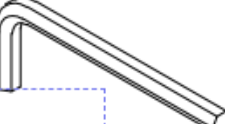



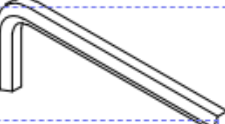



Step 1: Screw the full-thread rods into the side panels, and assemble the middle shelf (2) and the top shelf (1).

Step 2: Assemble the lower shelf and the bottom panel.

Step 3: According to the diagram, insert expansion tube N into the corresponding wall holes for the bookshelf. Insert the M8*45 hex screw through the upper rear horizontal hole and tighten it into expansion tube N to secure the bookshelf to the wall.



A  Hex Screw M6*30 = 4	B  Hex Screw M6*45 = 4	C  M6 Spring Washer = 14	D  M6 Flat Washer = 14	E  Full-thread Rod M8*70 = 12	F  M8 Half-Moon Piece = 12	G  M8 Nut = 12
H  Wrench = 1	I  Hex Screw M8*45 = 2	J  M8 Spring Washer = 14	K  M8 Spring Washer = 14	L  M8 Flat Washer = 14	M  L5 Hex Key = 1	N  M8 Expansion Metal Bolt = 2