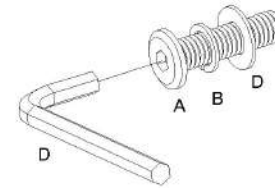
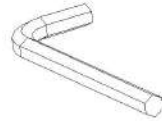


安装示意图/Assembly Instruction



内六角螺丝垫片安装顺序
Installation sequence of hexagon socket screw gasket

产品名称 Model NO. LS387S8-A/B/D 1.5m长凳

产品规格 Specification 1500*280*421

尺寸组合 Combined size 1500*280*421mm

安装人数Installer

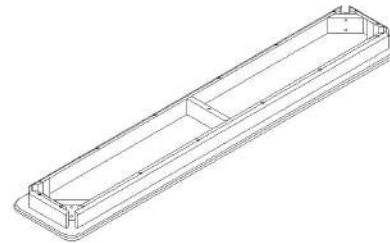


配件表/Accessories list

部件表/Parts List

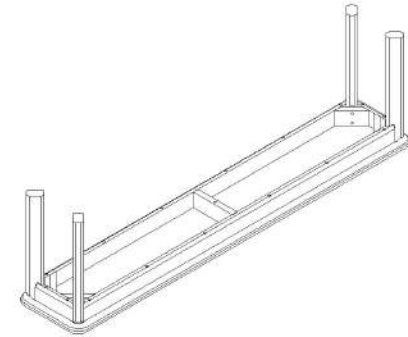
编号 NO.	名称 Name	图示 Icon	数量 QTY	编号 NO.	名称 Name	规格 Specification	数量 QTY	材质 material
A	M8*55内六角螺栓 M8*55 Hexagon socket bolt		8	①	凳面组合 Seat surface	1500*280*81	1	黑胡桃木 Black Walnut
B	M8弹垫 shim-M8 spring		8	②	脚 leg	400*60*35	4	黑胡桃木 Black Walnut
C	M8平垫 shim-M8 colored zinc		8					
D	5mm六角扳手 spanner-(5mm) hex		1					

STEP 1



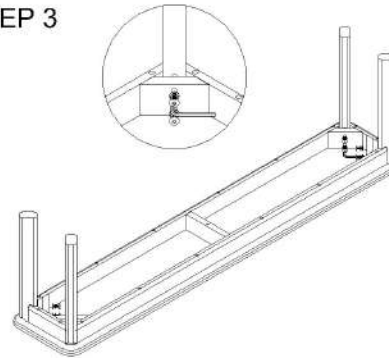
△ 把凳面向下放置
Place the stool face downwards

STEP 2



△ 把腿插入凳面
Insert your legs into the surface of the stool

STEP 3



△ 把部件1和部件2用五金连接
Connect component 1 and component 2 with hardware

STEP 4

