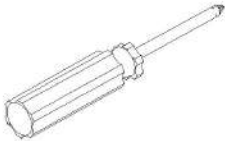
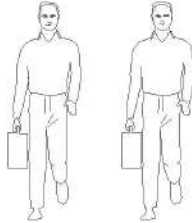


LINSY 林氏家居

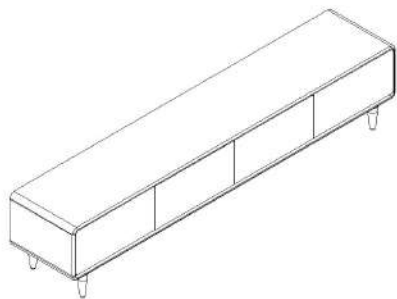
五金表/Hardware list






部件表/Parts List

安装示意图/Assembly Instruction

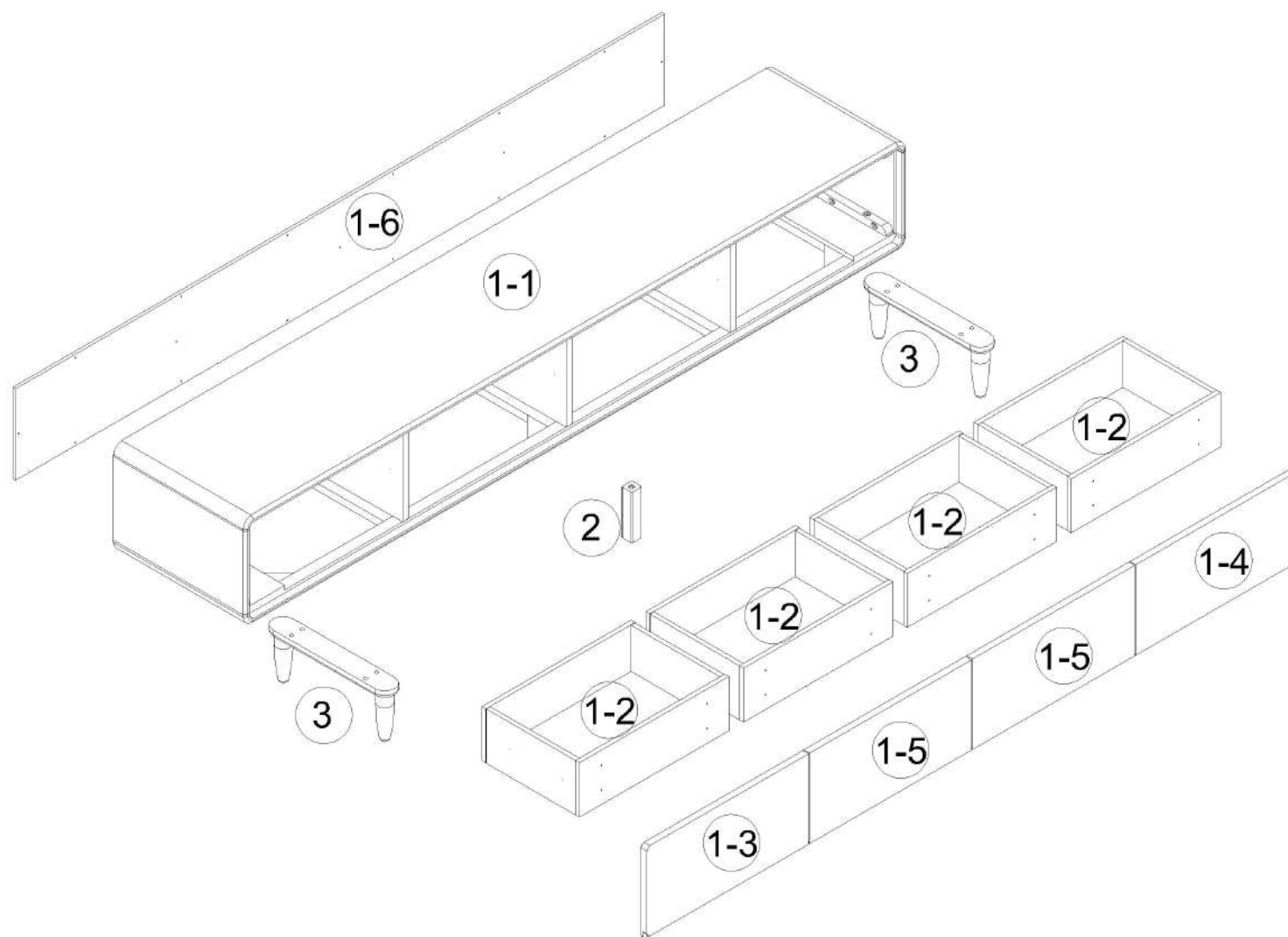
产品名称 Model NO.	LH094M5-A 1.8M
产品规格 Specification	1800*398*430MM
安装工具 Tool	安装人数 Installer
	

注：为保证设计效果，部分尺寸为定制尺寸，不影响使用。



 (A)*8 斜边内六角螺杆-M8x30 Beveled hexagon socket head screw	 (B)*1 内六角扳手5mm Hexagon wrench	 (C)*1 全牙螺杆-(M8*10mm) Full thread screw	 (D)*1 调节五金脚 Adjustable hardware foot
 (E)*4 脚垫-灰色毛毡 Foot pad			




编号NO.	名称Name	规格 (MM) Specification	数量QTY	材质Material
1	整装柜子Packaged cabinet	1800*398*280	1	橡胶木 Rubber wood
1-1	柜体cabinet	1800*398*30	1	橡胶木 Rubber wood
1-2	抽屉盒Drawer box	401*295*142	4	橡胶木 Rubber wood
1-3	左抽屉面板Drawer's panel (L)	440*248*20	1	橡胶木 Rubber wood
1-4	右抽屉面板Drawer's panel (R)	440*248*20	1	橡胶木 Rubber wood
1-5	中中抽屉面板Mid-drawer panel	440*248*20	2	橡胶木 Rubber wood
1-6	背板Back board	1762*240*8	1	橡胶木 Rubber wood
2	中脚Middle foot	133*30*30	1	橡胶木 Rubber wood
3	脚Foot	368*60*147	2	橡胶木 Rubber wood

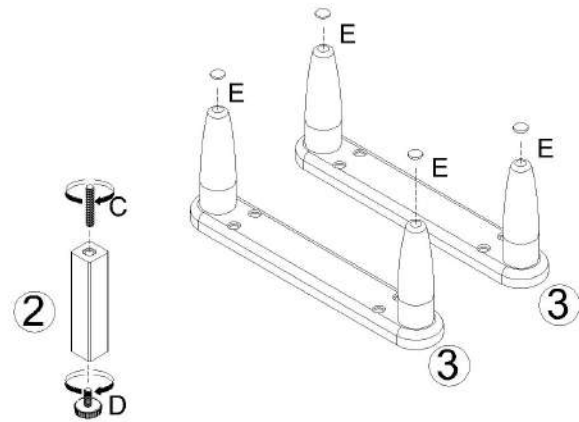


编号NO.	名称Name
1	整装柜子Packaged cabinet
1-1	柜体cabinet
1-2	抽屉盒Drawer box
1-3	左抽屉面板Drawer's panel (L)
1-4	右抽屉面板Drawer's panel (R)
1-5	中中抽屉面板Mid-drawer panel
1-6	背板Back board
2	中脚Middle foot
3	脚Foot



LH094M5-A 1.8M

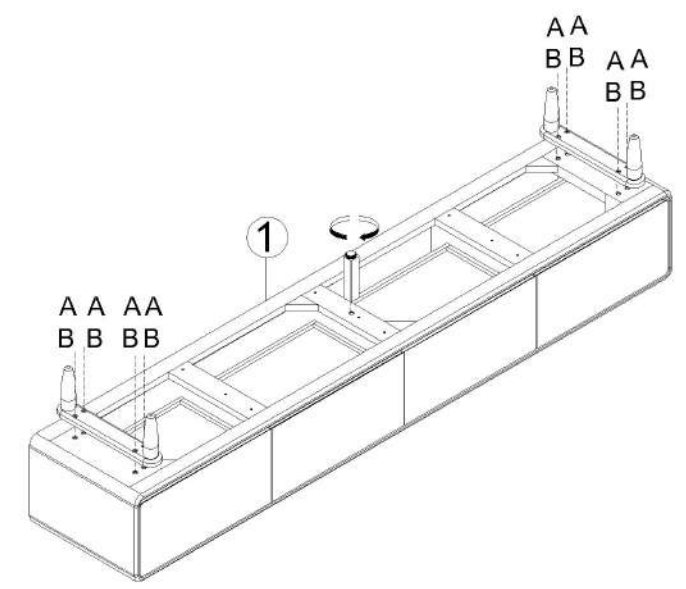
安装方法/
Installation method

-  (C)*1
-  (D)*1
-  (E)*4



1

-  (A)*8
-  (B)*1



2

3

