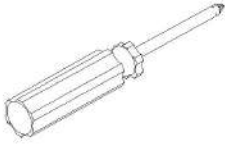
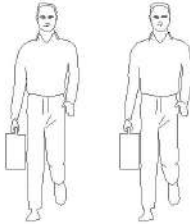


LINSY 林氏家居

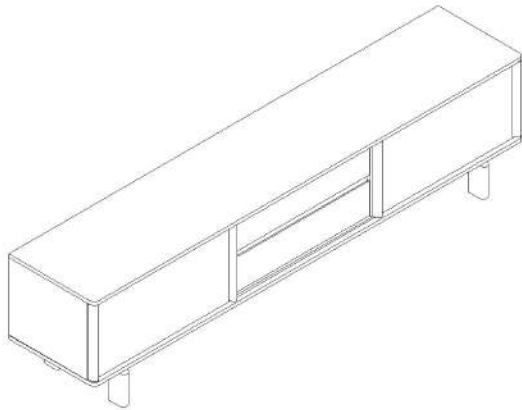
五金表/Hardware list

部件表/Parts List

安装示意图/Assembly Instruction

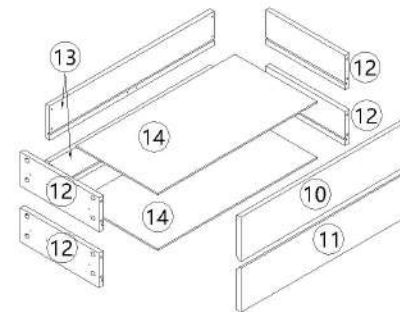
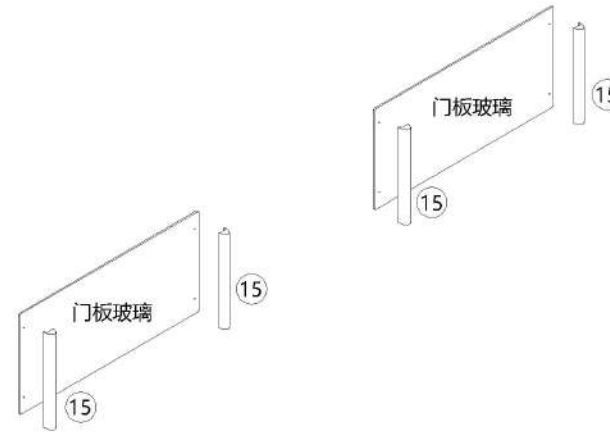
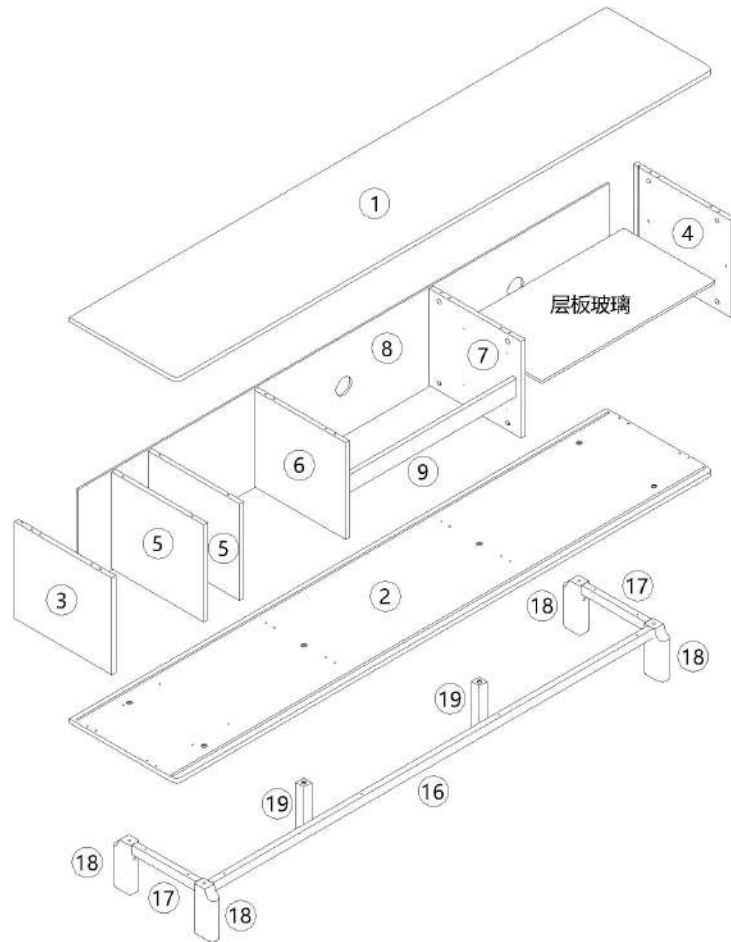
产品名称 Model NO.	UB1M-A 1.8m高脚电视柜
产品规格 Specification	1808*398*507mm
安装工具 Tool	安装人数 Installer
	

注：为保证设计效果，部分尺寸为定制尺寸，不影响使用。



 (A)* 46 二合一螺杆 2-in-1-screw	 (B)* 46 大三合一锁饼 Three-in-one large lock	 (C)* 17 木榫Ø8x30mm wood tenon	 (D)* 4 玻璃层板托杆/叉 Glass layer plate support rod/fork
 (E)* 34 自攻螺丝M3.5x14mm Self-tapping screw	 (F)* 8 镜钉 Mirror nail	 (G)* 8 自攻大扁M4*40mm Self tapping flat screw	 (H)* 3 穿线孔盖 Plastic cover
 (I)* 8 背板扣 Back Plate Buckle-White	 (J)* 8 透明塑料垫片 Transparent plastic gasket	 (K)* 4 透明防滑PVC胶塞 Rubber stopper	 (L)* 2 调节五金脚-M8*30 Adjust hardware feet
 (M)* 4 锤母-M8x15mm Hammer nut	 (N)* 4 斜边十字螺杆-M8x70 bevel cross screw	 (O)* 2 透明防撞垫片Ø10x1.5 Transparent anti collision gasket	 (P)* 2 斜边十字螺杆-M8x30 bevel cross screw
 (Q)* 2 门板玻璃 Door panel glass	 (R)* 2 三节滚珠导轨-10" three-section ball rail	 (S)* 1 层板玻璃 Laminated glass	 (T)* 8 自攻螺丝M4x16mm Self-tapping screw

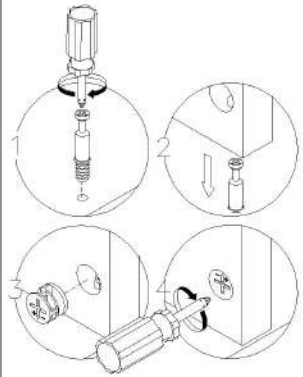
编号NO.	名称Name	规格(mm) Specification	数量QTY	材质Material
①	面板Top panel	1808*398*15	1	刨花板 Particle Board
②	底板Bottom board	1808*398*15	1	刨花板 Particle Board
③	左侧板Side board(L)	312*363*15	1	刨花板 Particle Board
④	右侧板Side board(R)	312*363*15	1	刨花板 Particle Board
⑤	左中侧板Middle side board(L)	312*342*15	2	刨花板 Particle Board
⑥	中中侧板Middle side board	312*342*15	1	刨花板 Particle Board
⑦	右中侧板Middle side board(R)	312*342*15	1	刨花板 Particle Board
⑧	背板Back board	1786*322*5	1	纤维板 Fiberboard
⑨	前拉条Front brace	574*58*15	1	刨花板 Particle Board
⑩	上抽屉面板Upper drawer's panel	570*142*15	1	刨花板 Particle Board
⑪	下抽屉面板Bottom drawer's panel	570*142*15	1	刨花板 Particle Board
⑫	抽屉侧板Drawer's sideboard	295*110*15	4	刨花板 Particle Board
⑬	抽屉后板Drawer's Back board	548*110*15	2	刨花板 Particle Board
⑭	抽屉底板Drawer's Bottom board	528*305*5	2	纤维板 Fiberboard
⑮	门板拉手Door handle	306*30*30	4	橡胶木 Rubber wood
⑯	前立水Front apron	1448*40*20	1	橡胶木 Rubber wood
⑰	侧立水Side apron	238*40*20	2	橡胶木 Rubber wood
⑱	脚Foot	160*70*35	4	橡胶木 Rubber wood
⑲	中脚Middle foot	150*30*30	2	橡胶木 Rubber wood



编号NO.	名称Name
①	面板Top panel
②	底板Bottom board
③	左侧板Side board(L)
④	右侧板Side board(R)
⑤	左中侧板Middle side board(L)
⑥	中中侧板Middle side board
⑦	右中侧板Middle side board(R)
⑧	背板Back board
⑨	前拉条Front brace
⑩	上抽屉面板Upper drawer's panel
⑪	下抽屉面板Bottom drawer's panel
⑫	抽屉侧板Drawer's sideboard
⑬	抽屉后板Drawer's Back board
⑭	抽屉底板Drawer's Bottom board
⑮	门板拉手Door handle
⑯	前立水Front apron
⑰	侧立水Side apron
⑱	脚Foot
	中脚Middle foot

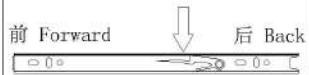
UB1M-A 1.8m高脚电视柜

安装方法/
Installation method



二合一 two-in-one

阀门开关(下压为开)
Valve switch (press down to open)

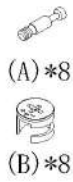


主轨 Main track



副轨 Sub track

三节滚珠导轨
Three-section rail



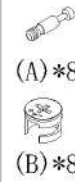
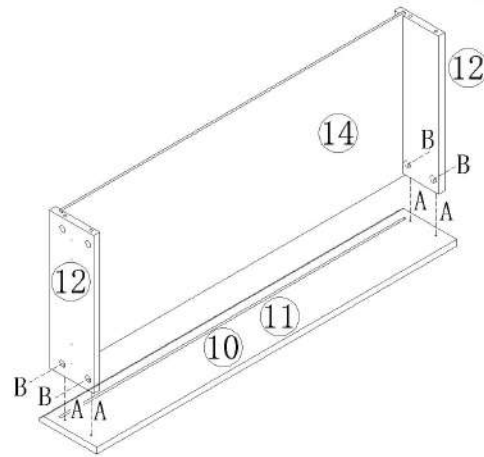
(A)*8



(B)*8

× 2

1



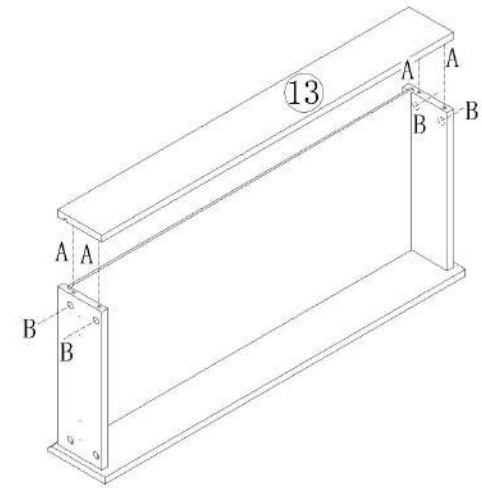
(A)*8



(B)*8

× 2

2



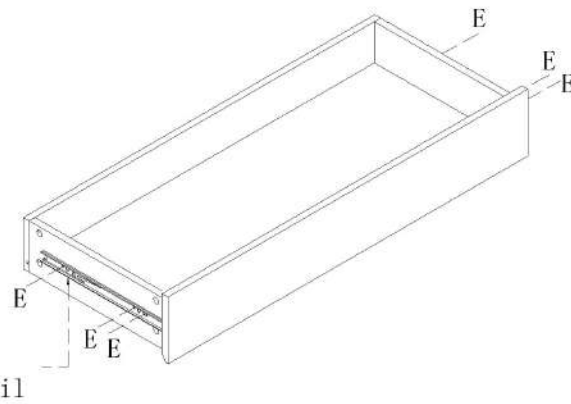
(E)*12



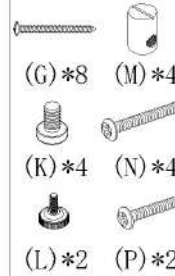
(R)*2

× 2

3



(R) 副轨
(R) Sub rail



(G)*8

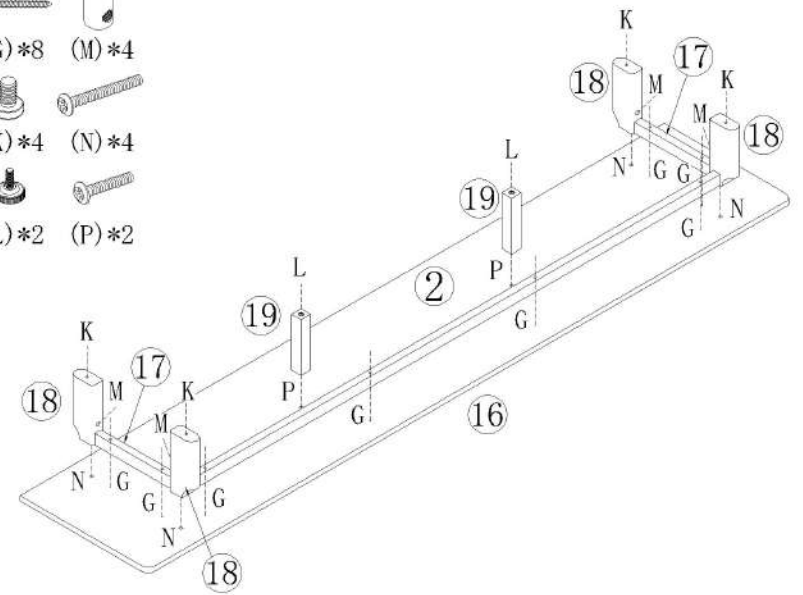
(M)*4

(K)*4

(N)*4

(L)*2

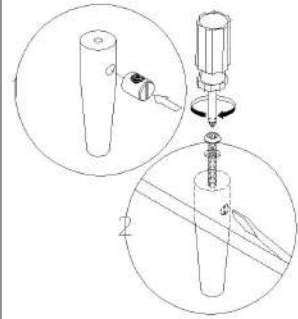
(P)*2



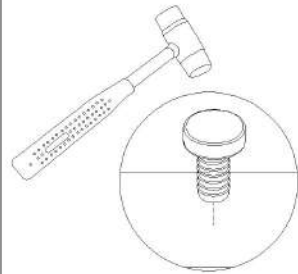
4

UB1M-A 1.8m高脚电视柜

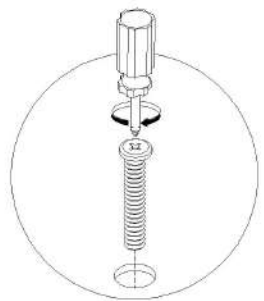
安装方法/
Installation method



锤母
Hammer nut



防滑PVC胶塞
Rubber stopper



斜边十字螺杆
bevel cross screw



(A)*4



(B)*4



(A)*12



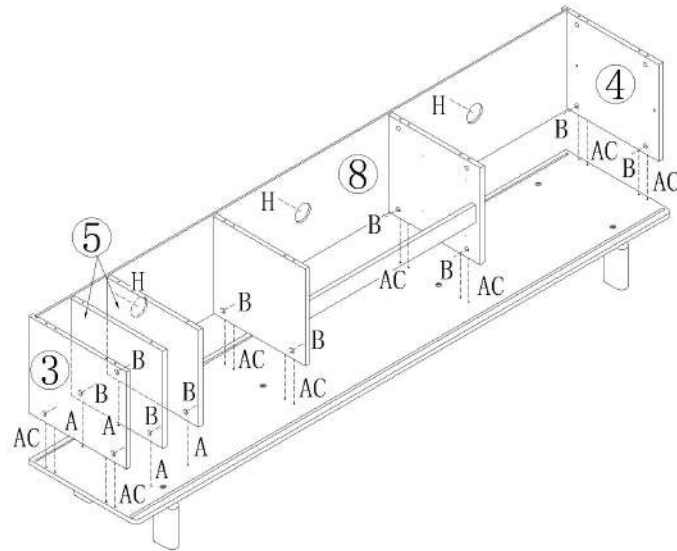
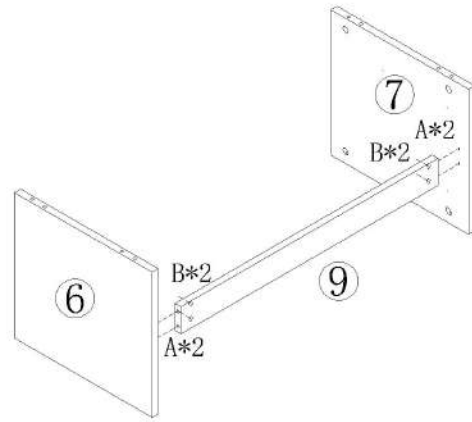
(B)*12



(C)*8



(H)*3



5



(F)*8



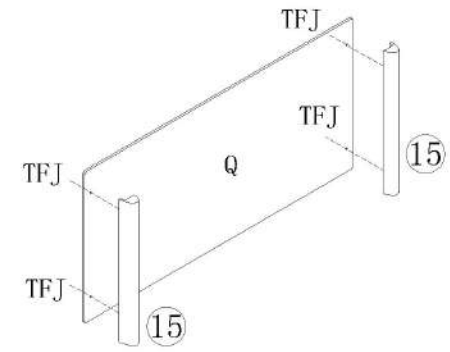
(J)*8



(Q)*2



(T)*8



× 2

6

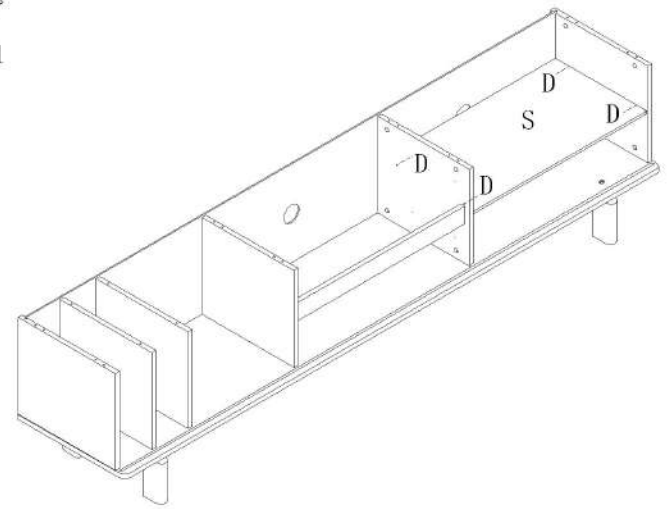
7



(D)*4



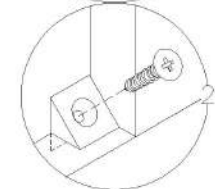
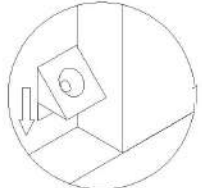
(S)*1



8

UB1M-A 1.8m高脚电视柜

安装方法/
Installation method



背板扣
Back Plate Buckle



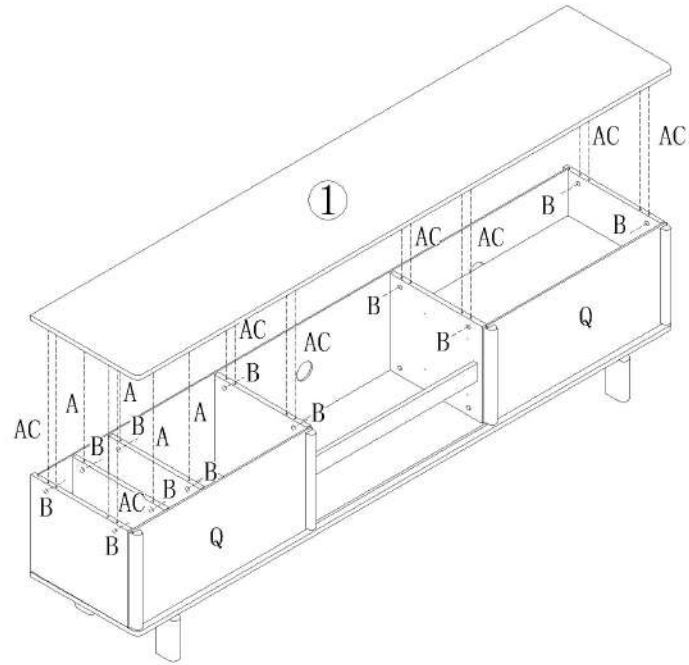
(A)*12



(B)*12



(C)*8



9



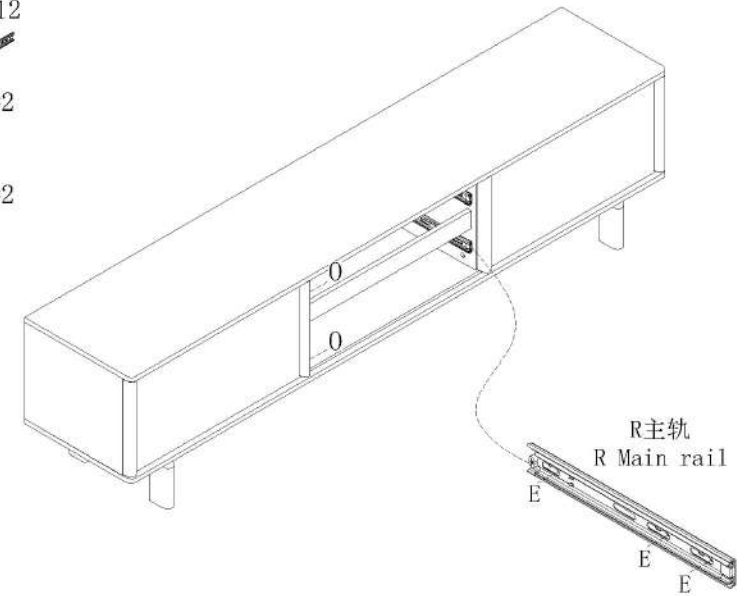
(E)*12



(R)*2



(O)*2



10

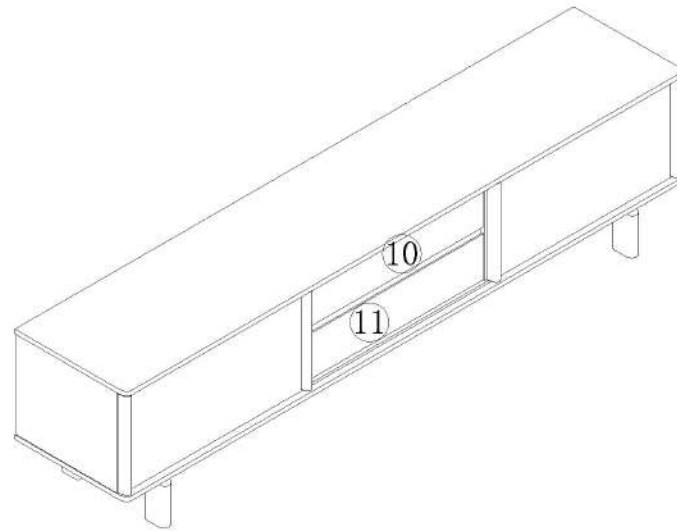
11



(E)*8



(I)*8



12

