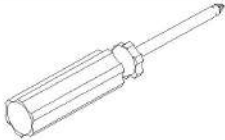
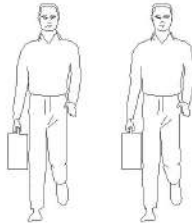
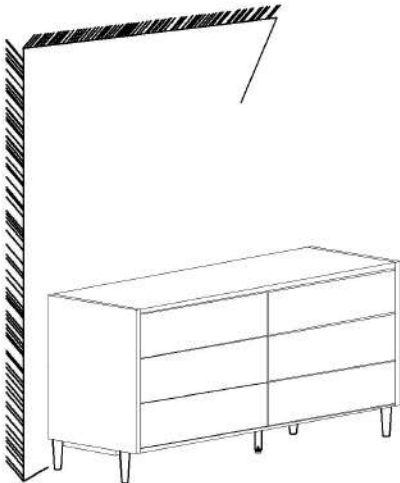


# LINSY 林氏家居




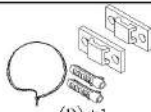



## 安装示意图/Assembly Instruction

产品名称 Model NO.	六斗柜
产品型号 Product Model	C04E-A
尺寸规格 Specification	(1200*400*823)mm
安装工具 Tool	安装人数 Installer
	



► 注意! 背面需紧靠墙壁。  
be careful! The back of the bedside should be close to the wall.

## 五金表/Hardware list

 (A)*4 M8*55斜边内六角 M8*55 hypotenuse hexagon	 (B)*4 M8锤母 M8 hammer mother	 (C)*4 透明脚钉 Transparent foot pads	 (D)*1 防倒五金 Anti-tipping hardware
 (E)*1 M8*40全牙丝杆 M8*40 full thread screw	 (F)*1 调平脚 Level the feet	 (G)*1 5#内六角扳手 5# Allen wrench	

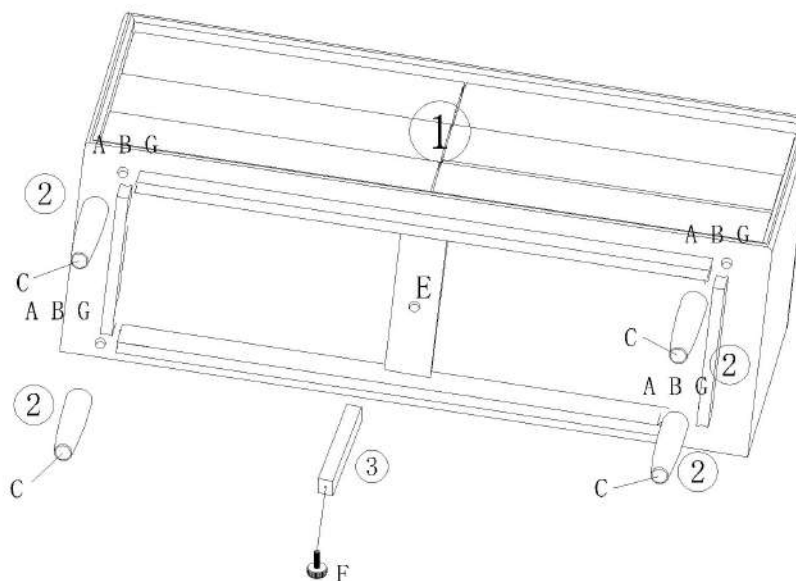
注意! 只允许成人安装, 儿童勿近  
Be careful! Adult only, keep away from children.

警告: 为避免夹伤, 多个产品组合使用时请适当调整组合间隙, 使缝隙少于5MM或大于15mm。  
Warning: To avoid injury, please adjust the gap that less than 5mm or more than 15mm when using multiple product combinations.

## 部件表/Parts List

编号NO.	名称Name	规格(MM) Specification	数量QTY	材质Material
①	柜体 Cabinet body	1200*400*683	1	红橡木+松木+桐木 Red oak + pine + paulownia
②	腿 leg	175*44*44	4	红橡木 Red oak
③	调节腿 Adjust the legs	163*30*30	1	松木 pine wood

安装方法/  
Installation method



将柜体放倒，用五金A B G将部件①与部件②连接，将五金C安装在部件②的底部；然后用五金 E 将部件③固定到部件①引孔处，把五金F安装在部件③的底部；扶正柜体安装完成。

The cabinet body is put down, the component (1) is connected with the component (2) with hardware A B G, and the hardware C is installed at the bottom of the component (2); Then fix the part (3) to the pilot hole of the part (1) with hardware E, and install the hardware F at the bottom of the part (3); The installation of the righting cabinet is completed.

C04E-A 六斗柜

安装方法/  
Installation method

(D)\*1

