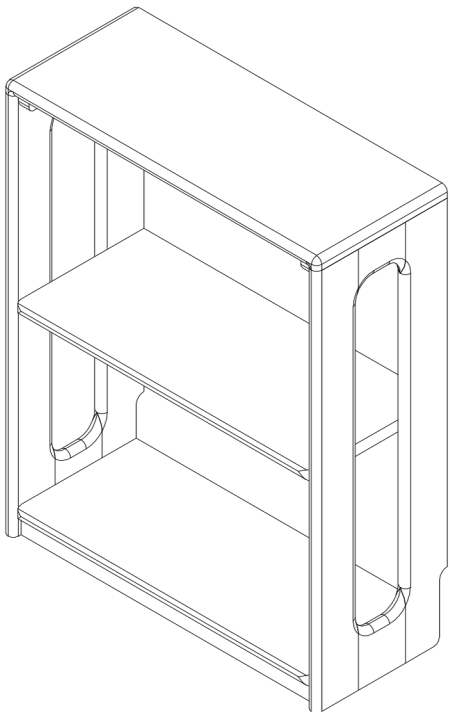


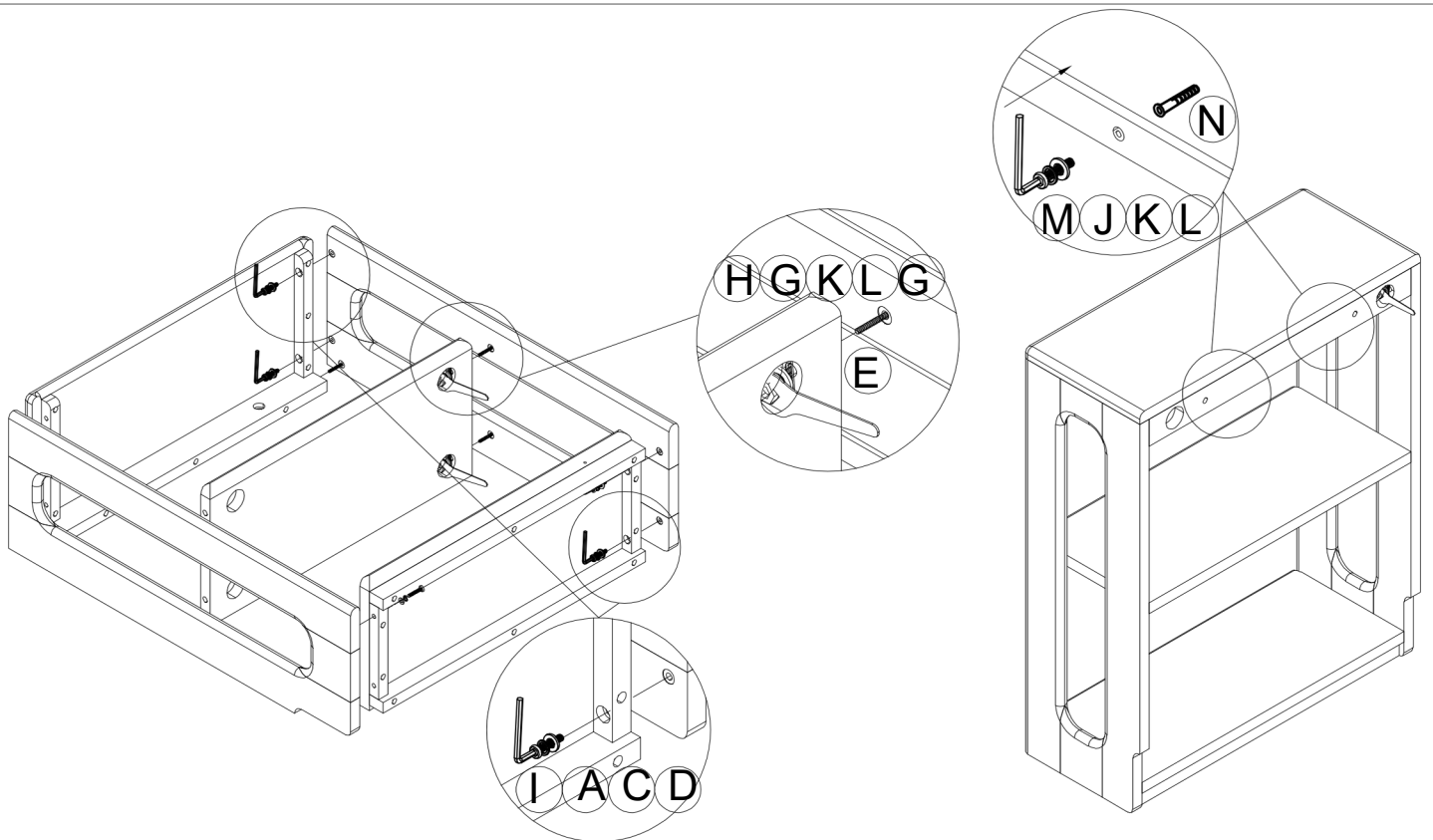
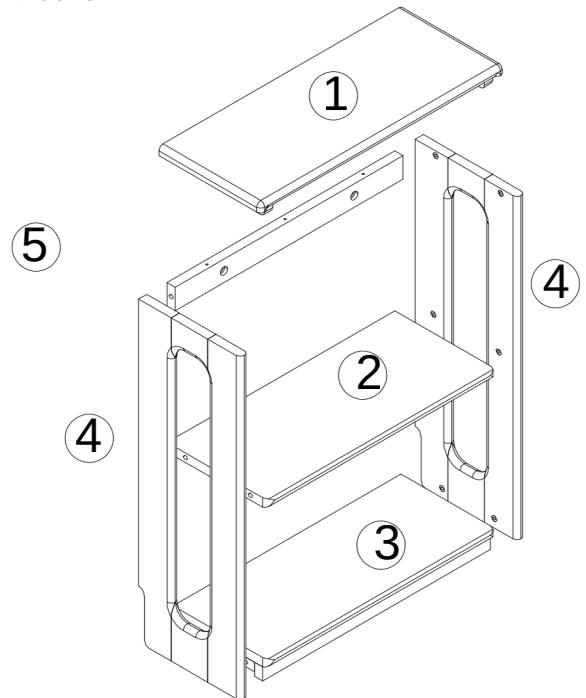
组装说明书

产品名称: 米卡书架 (C款可调) -0.6

成品图:



分解图:



A 	B 	C 	D 	E 	F 	G
内六角螺杆M6*30=8	M6弹垫=14	M6平垫=14	全丝螺杆M8*70=6	M8半月牙=6	M8螺母=6	扳手=1
H 	I 	J 	K 	L 	M 	样式图仅示意
L型卡扣=1	内六角螺杆M8*45=2	M8弹垫=6	M8平垫=6	L型卡扣=1	内六角螺杆M8*45=2	

Assembly:

- Step 1: Place the full support panel onto the drawer, then assemble the middle shelf (②), the top panel (①), and the bottom panel.
- Step 2: According to the diagram, insert the wall plugs into the corresponding wall positions of the mounting bracket.
- Step 3: Insert the M8 × 45 hex socket screws through the rear upper mounting holes and tighten into wall plug (N) to secure the unit to the wall.