

# LINSY 林氏家居

## 安装示意图/Assembly Instruction

产品名称 Model NO. UB1X-A 0.8m玻璃门  
抽屉书柜

产品规格 Specification 794\*353\*2003mm

安装工具 Tool 安装人数 Installer



注：为保证设计效果，部分尺寸为定制尺寸，不影响使用。



## 五金表/Hardware list

(A)*2 夹板条 Splint strip	(B)*56 二合一螺钉 2-in-1-screw	(C)*56 大三合一锁销 3-in-1 large lock	(D)*34 木榫Ø8x30mm Wood tenon
(E)*2 家具防倒器-白色 Anti-fall device	(F)*8 灰色毛毡垫 Foot pad	(G)*12 层板托5mm shelf support	(H)*17 背板扣 White buckle
(I)*31 百攻无偏M4*20mm Flat head tapping screw	(J)*46 白攻螺钉M3.5*11mm Tapping screw	(K)*1 三节滚珠导轨10" Three-section rail	(L)*4 拉手螺钉-M4x20mm Pulling screw
(M)*4 拉手 handle	(N)*2 透气孔盖-白色 Breathable cover	(O)*8 缓冲门较大号-杯径Ø35 Great bend hinge	(P)*4 加高款碰古铜色 Bronze ball catch

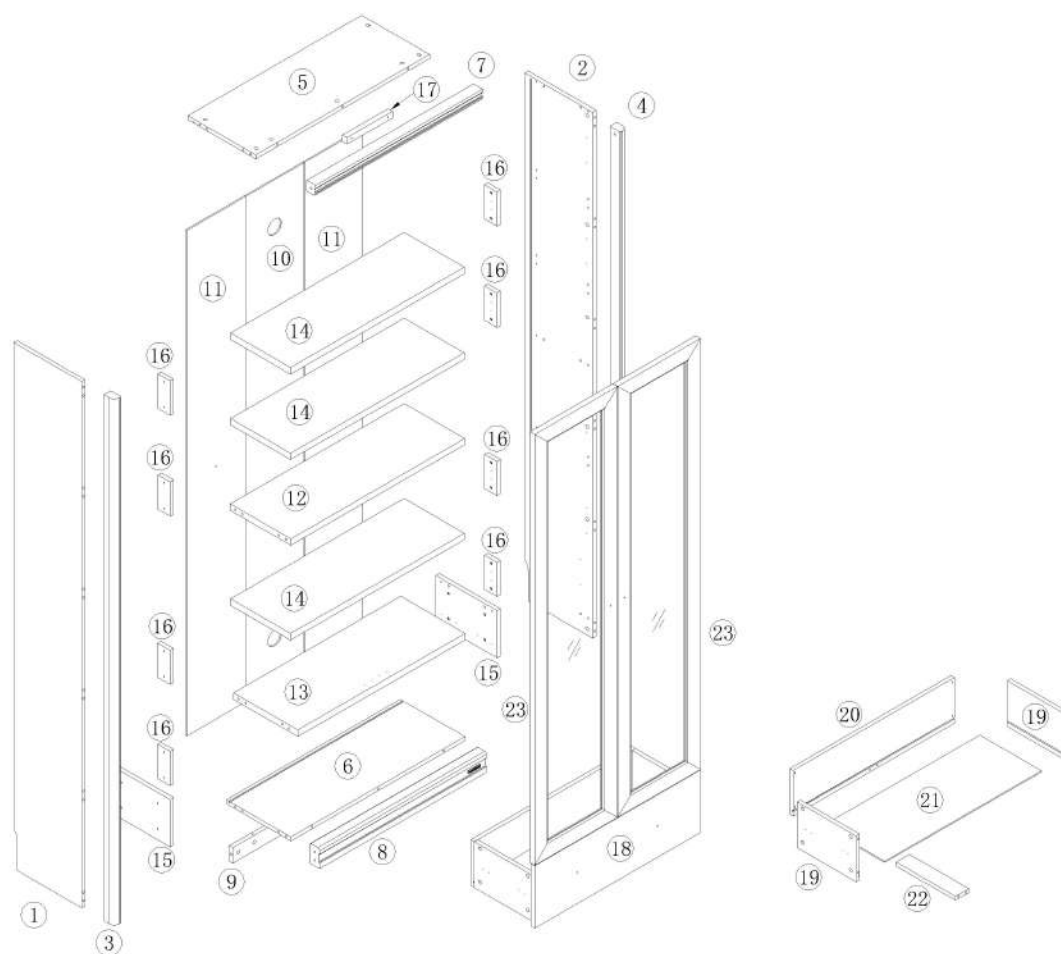
## 部件表/Parts List

编号NO.	名称Name	规格(mm) Specification	数量QTY	材质Material
①	左侧板Side board(L)	2000*298*15	1	刨花板 Particle board
②	右侧板Side board(R)	2000*298*15	1	刨花板 Particle board
③	左侧柱L side pillar	2000*45*30	1	橡胶木 Rubber wood
④	右侧柱Side column(R)	2000*45*30	1	橡胶木 Rubber wood
⑤	顶板Top board	764*298*15	1	刨花板 Particle board
⑥	底板Bottom board	764*283*15	1	刨花板 Particle board
⑦	顶条Top strip	734*40*40	1	橡胶木 Rubber wood
⑧	前立水Front apron	734*76*40	1	橡胶木 Rubber wood
⑨	后立水Back dress	764*58*15	1	刨花板 Particle board
⑩	中背板Middle back board	1922*257*5	1	纤维板 Fiberboard
⑪	边背板Side back board	1922*257*5	2	纤维板 Fiberboard
⑫	中固定层板 Medium fixed layer board	764*266*25	1	刨花板 Particle board
⑬	下层板Lower shelf	734*282*25	1	刨花板 Particle board
⑭	活动层板Movable shelf	763*264*25	3	刨花板 Particle board
⑮	内侧板Inner side panel	268*180*15	2	刨花板 Particle board
⑯	垫条1Cushion strip 1	130*54*15	8	橡胶木 Rubber wood
⑰	垫条2Cushion strip 2	200*25*20	1	橡胶木 Rubber wood
⑱	下抽屉面板 Bottom drawer's panel	728*238*15	1	刨花板 Particle board
⑲	下抽屉侧板 Lower drawer side panel	260*174*15	2	刨花板 Particle board
⑳	下抽屉后板 Down drawer's back board	708*174*15	1	刨花板 Particle board
㉑	抽屉底板 Drawer's Bottom board	688*270*5	1	纤维板 Fiberboard
㉒	抽屉底托条 Drawer's bottom bracket	260*58*15	1	刨花板 Particle board
㉓	门板Door board	1638*363*20	2	橡胶木+玻璃 Rubber wood+Glass

UBIX-A 0.8m玻璃门抽屉书柜

产品分解图/Exploded drawing

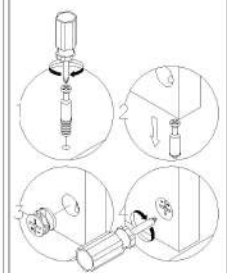
部件表/Parts List



编号NO.	名称Name
①	左侧板Side board(L)
②	右侧板Side board(R)
③	左侧柱L side pillar
④	右侧柱Side column(R)
⑤	顶板Top board
⑥	底板Bottom board
⑦	顶条Top strip
⑧	前立水Front apron
⑨	后立水Back dress
⑩	中背板Middle back board
⑪	边背板Side back board
⑫	中固定层板 Medium fixed layer board
⑬	下层板Lower shelf
⑭	活动层板Movable shelf
⑮	内侧板Inner side panel
⑯	垫条1Cushion strip 1
⑰	垫条2Cushion strip 2
⑱	下抽屉面板 Bottom drawer's panel
⑲	下抽屉侧板 Lower drawer side panel
⑲	下抽屉后板 Down drawer's back board
⑲	抽屉底板 Drawer's Bottom board
⑲	抽屉底托条 Drawer's bottom bracket
⑲	门板Door board

UB1X-A 0.8m玻璃门抽屉书柜

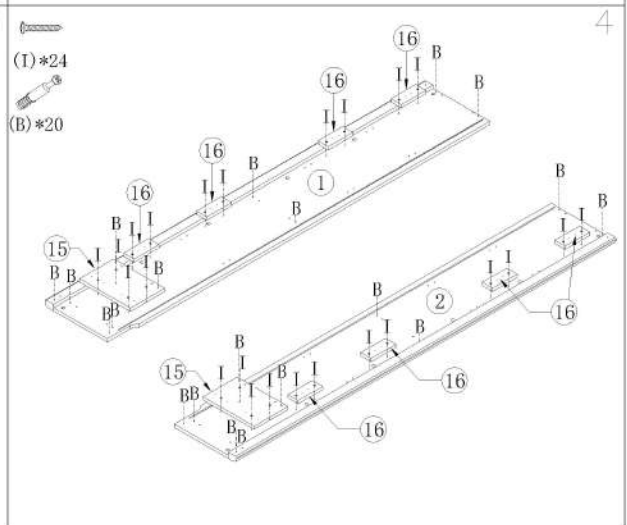
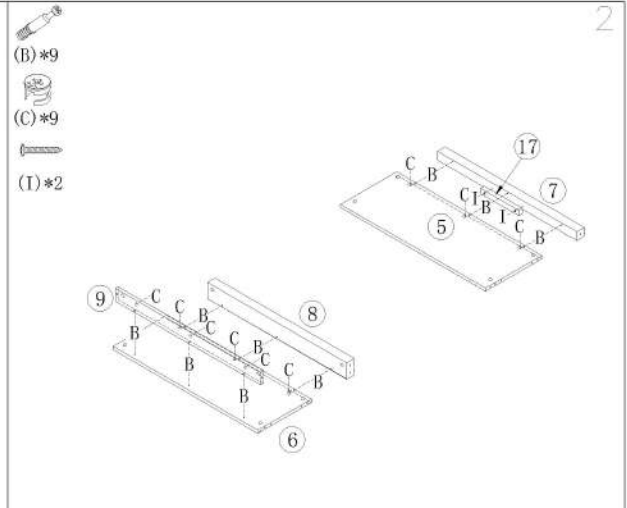
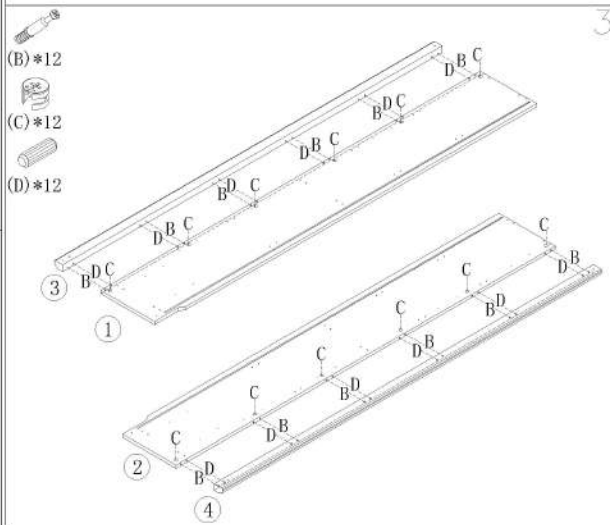
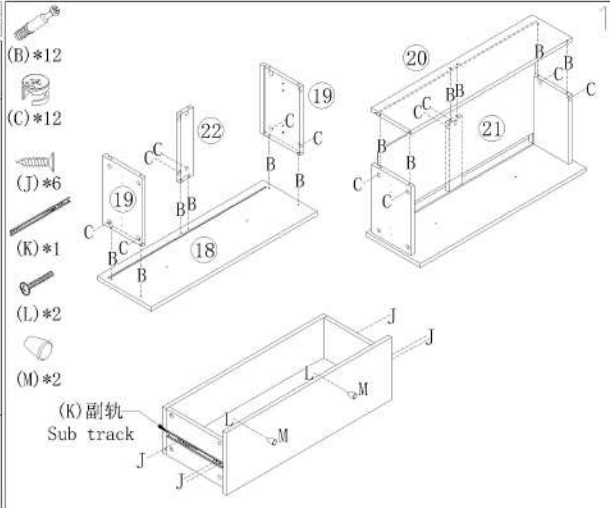
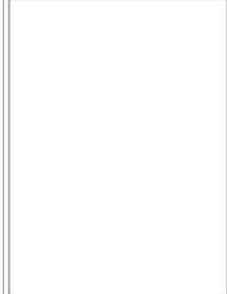
**安装方法**  
Installation method



二合一 two-in-one

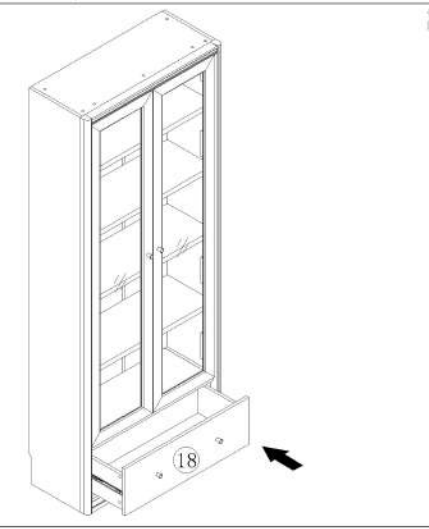
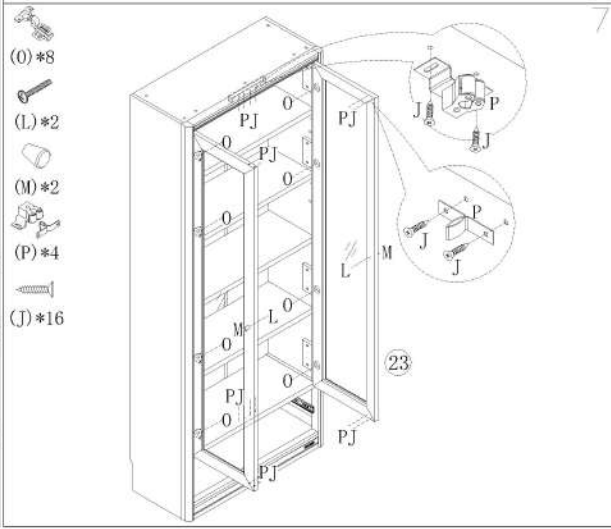
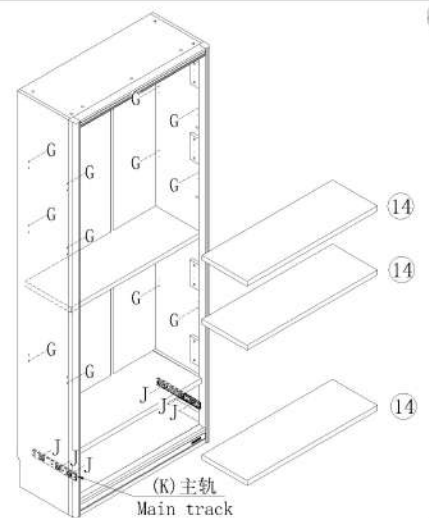
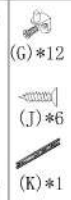
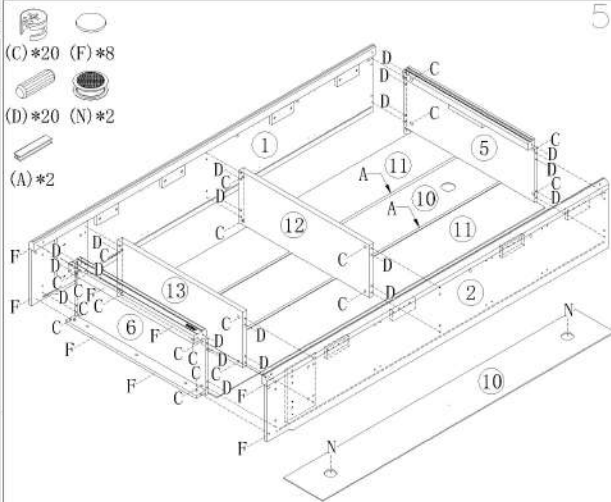
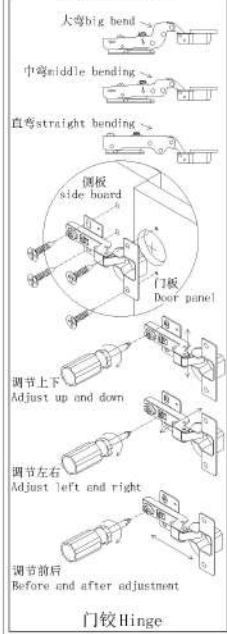
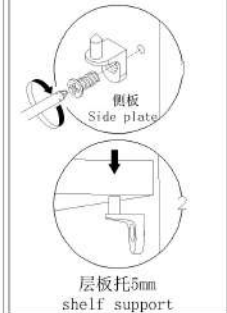
阀门开关(下压为开)  
Valve switch (press down to open)

前 Forward    后 Back



UB1X-A 0.8m玻璃门抽屉书柜

**安装方法**  
Installation method



UB1X-A 0.8m玻璃门抽屉书柜

安装方法  
Installation method

