

LINSY 林氏家居

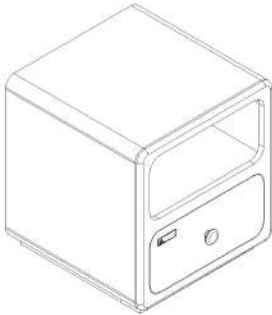
安装示意图/Assembly Instruction

产品名称 Model NO.	VL1B-A 窄款床头柜-单抽屉
产品规格 Specification	316*438*454mm
安装工具 Tool	安装人数 Installer



注：为保证设计效果，部分尺寸为定制尺寸，不影响使用。

► 使用本产品请靠墙放置
Please place this product against the wall



► 注意！只允许成人安装，儿童勿近
Be careful! Adult only, keep away from children.

五金表/Hardware list

(A)*19 二合一螺钉 2-in-1-screw	(B)*19 大三合一锁饼 3-in-1 large lock	(C)*17 木榫98x30mm Wood tenon	(D)*1 三节轨道零件11" (30-30C) Three-section rail
(E)*34 自攻螺钉M3.5*14mm Tapping screw	(F)*4 背板扣 White buckle	(G)*11 百发天扁头4*20mm Flat head tapping screw	(H)*4 (直径16*3mm)灰色白色件 Foot pad
(I)*1 拉手螺钉-M4x25mm Pulling screw	(J)*8 小角码-(14*21*1.5mm) Small bracket	(K)*1 透气孔盖-白色 Breathable cover	(L)*1 拉手-(直径35*25mm) handle
(M)*2 家具防倒器-白色 Anti-fall device			

部件表/Parts List

编号NO.	名称Name	规格(mm) Specification	数量QTY	材质Material
①	面板Top panel	398*316*30	1	纤维板Fiberboard
②	底板Bottom board	398*316*30	1	纤维板Fiberboard
③	左侧板Side board(L)	398*366*15	1	刨花板 Particle board
④	右侧板Side board(R)	398*366*15	1	刨花板 Particle board
⑤	层板Shelf	377*286*15	1	刨花板 Particle board
⑥	饰板Trim panel	426*316*15	1	纤维板Fiberboard
⑦	导轨垫条Rail cushion strip	298*58*15	2	刨花板 Particle board
⑧	抽屉面板Drawer's top panel	252*164*15	1	刨花板 Particle board
⑨	抽屉侧板Drawer's sideboard	340*110*15	2	刨花板 Particle board
⑩	抽屉后板Drawer's Back board	230*110*15	1	刨花板 Particle board
⑪	抽屉底板Drawer's Bottom board	210*350*5	1	纤维板Fiberboard
⑫	前脚条Front foot strip	254*58*25	1	刨花板 Particle board
⑬	侧脚条Side foot strip	310*58*25	2	刨花板 Particle board
⑭	背板Back board	376*296*5	1	纤维板Fiberboard

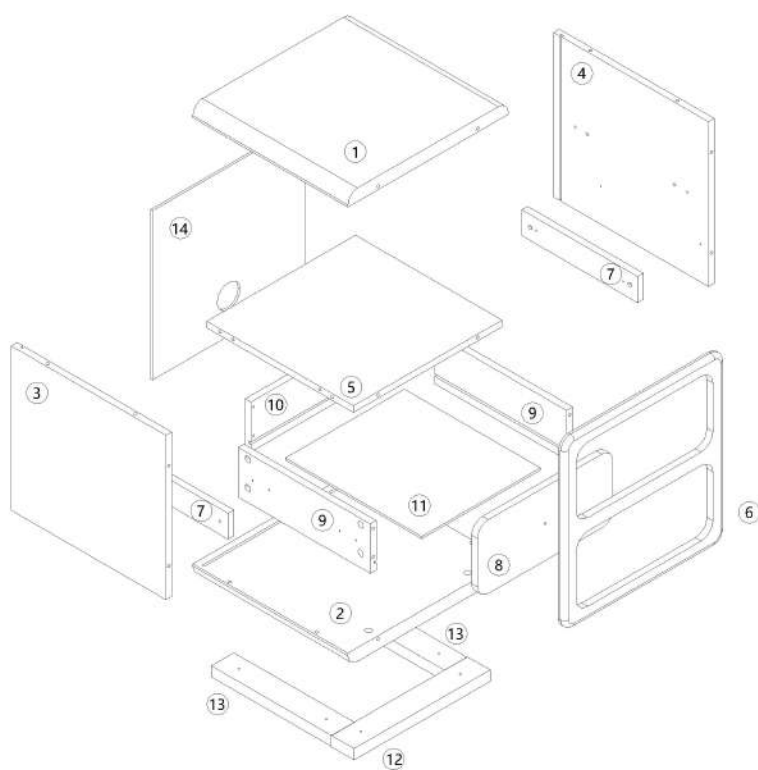
► 为避免夹伤，多个产品组合使用时请适当调整组合间隙，使缝隙小于5mm或大于15mm

Warning: To avoid injury, please adjust the gap that less than 5mm or more than 15mm when using multiple product combinations.

VL1B-A 窄款床头柜-
单抽屉

产品分解图/Exploded drawing

部件表/Parts List



编号NO.	名称Name
①	面板Top panel
②	底板Bottom board
③	左侧板Side board(L)
④	右侧板Side board(R)
⑤	层板Shelf
⑥	饰板Trim panel
⑦	导轨垫条Rail cushion strip
⑧	抽屉面板Drawer's top panel
⑨	抽屉侧板Drawer's sideboard
⑩	抽屉后板Drawer's Back board
⑪	抽屉底板Drawer's Bottom board
⑫	前脚条Front foot strip
⑬	侧脚条Side foot strip
⑭	背板Back board

VL1B-A 窄款床头柜-
单抽屉

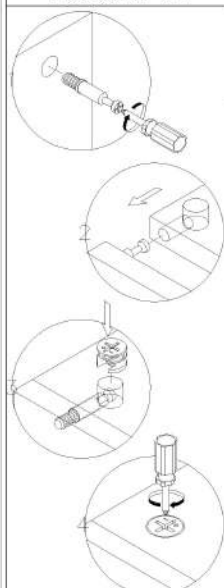
安装方法/
Installation method

阀门开关(下压为开)
Valve switch (press down to open)

前 Forward 后 Back

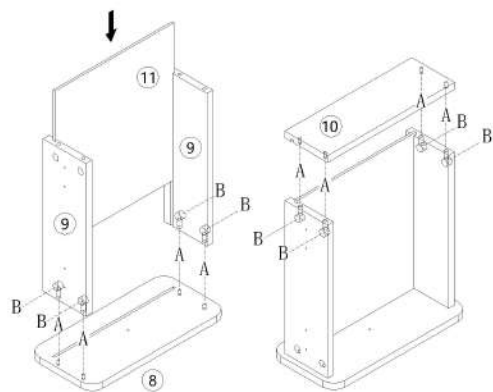


三节滚珠导轨-12"
Three-section rail



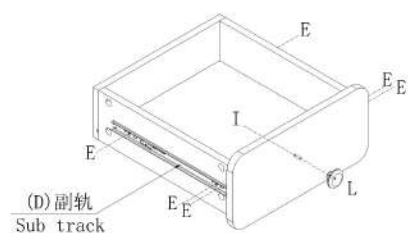
大二合一
two-in-one

- (A)*8
- (B)*8



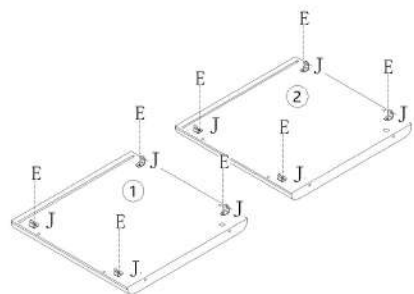
1

- (D)*1
- (E)*6
- (I)*1
- (L)*1



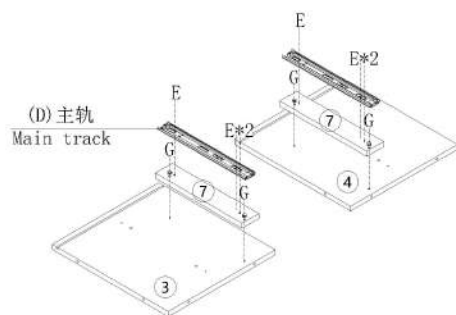
2

- (E)*8
- (J)*8



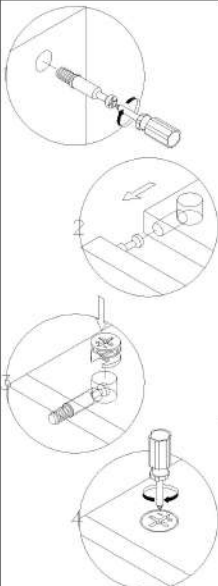
3

- (D)*1
- (E)*6
- (G)*4



4

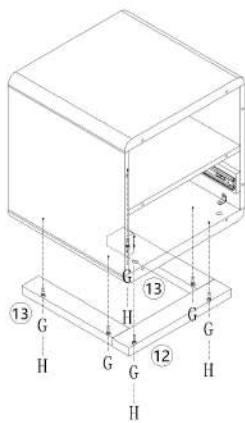
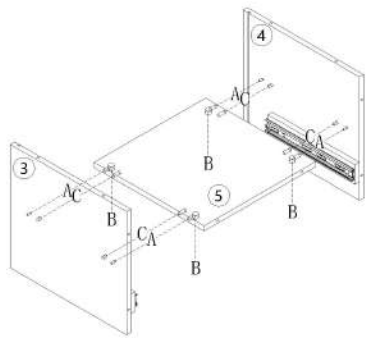
VL1B-A 窄款床头柜-
单抽屉
安装方法/
Installation method



大二合一
two-in-one

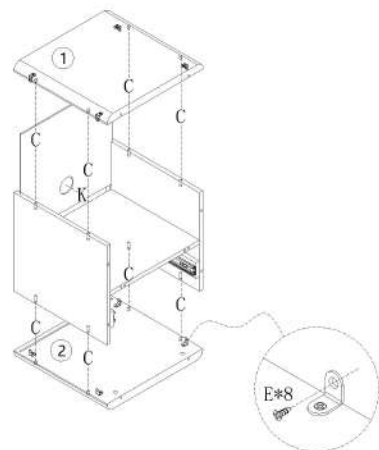
- (A)*4
- (B)*4
- (C)*4

- (G)*6
- (H)*4



5

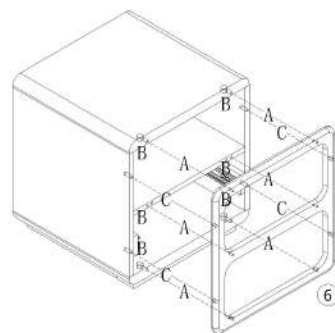
- (C)*8
- (B)*8
- (K)*1



6

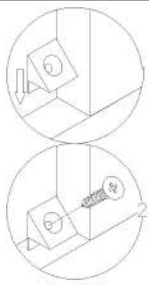
7

- (A)*6
- (B)*6
- (C)*4



8

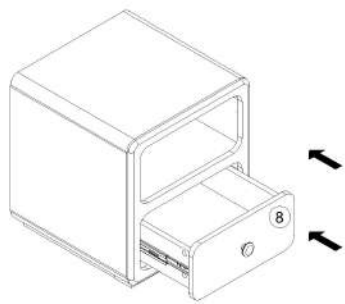
VL1B-A 窄款床头柜-
单抽屉
安装方法/
Installation method



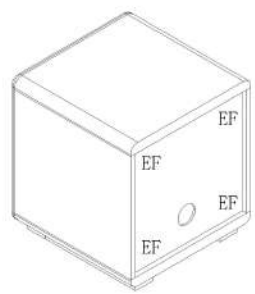
背板扣
Back Plate Buckle

9

- (E) *4
- (F) *4

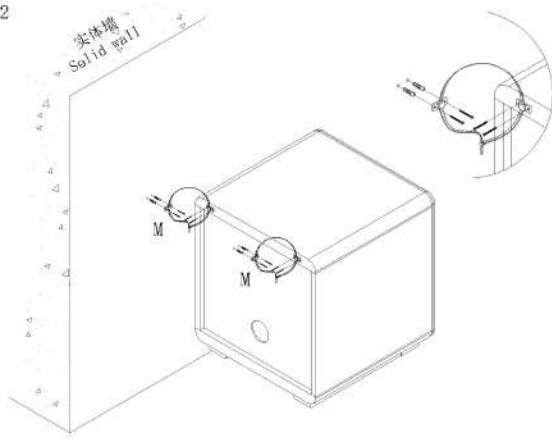


10



11

- (M) *2



12

