

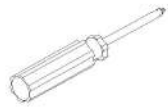
# LINSY 林氏家居

## 五金表/Hardware list

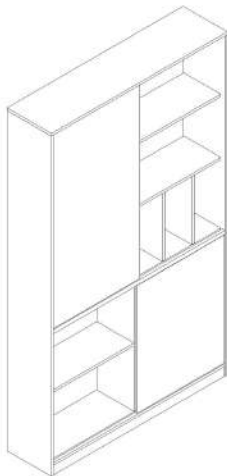
## 部件表/Parts List

### 安装示意图/Assembly Instruction

产品名称 Model NO.	推拉门书柜1.2米
产品型号 Product Model	RGIX-A
尺寸规格 Specification	(1186*298*2003)mm
安装工具 Tool	安装人数 Installer



注：为保证设计效果，部分尺寸为定制尺寸，不影响使用。



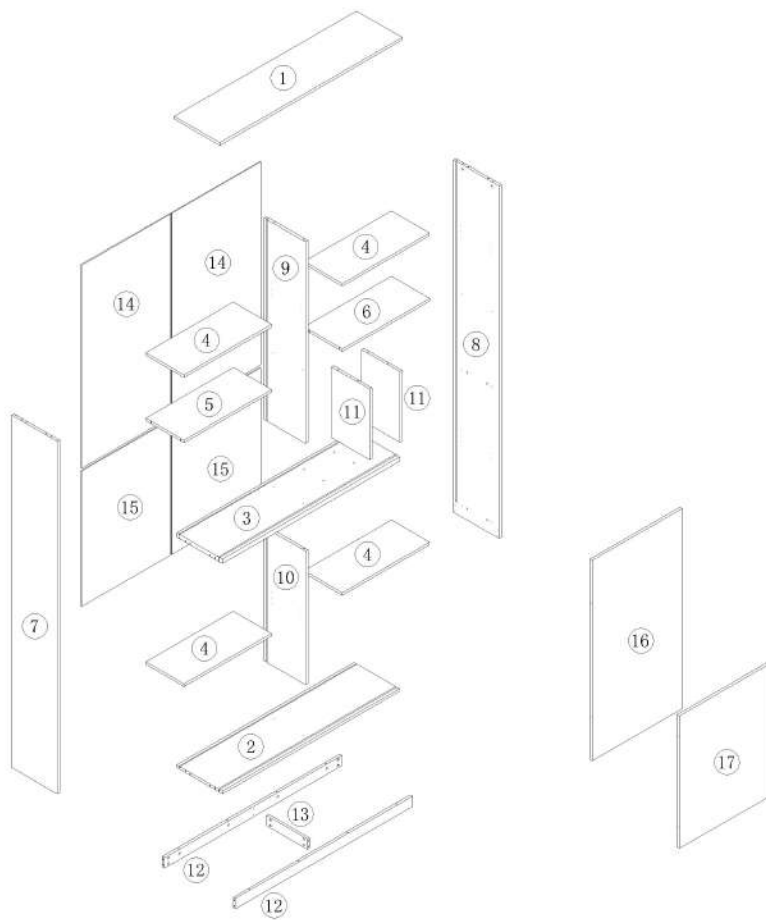
(A)*51 二合一螺丝 2-in-1-screw	(B)*55 大三合一锁饼 Three-in-one large lock	(C)*13 木榫Ø8x30mm wood tenon	(D)*21 背板扣 Back Plate Buckle-White
(E)*2 家具防倒器-白色 Anti-fall device white	(F)*4 档门轮 Gate wheel	(G)*16 层板托 shelf support	(H)*59 自攻螺丝M3.5x14mm Self-tapping screw
(I)*4 过山丝-M7x38mm Self-tapping screw galvanized	(J)*1 内六角扳手4mm spanner-(4mm) hex	(K)*9 脚垫-灰色 Footrest - Grey	(L)*8 防撞孔塞 Anti-collision plug
(M)*4 垫片M6 Gasket	(N)*2 双头二合一螺丝 Double head 3-in-1 screw	(O)*4 自攻大扁M4*25mm Self tapping flat screw	

编号NO.	名称Name	规格 (mm) Specification	数量 QTY	材质Material
①	顶板Top board	1186*298*15	1	刨花板Particle Board
②	底板Bottom board	1154*297*15	1	刨花板Particle Board
③	中固定层板Middle fixed shelf	1154*297*25	1	刨花板Particle Board
④	活动层板Movable shelf	568.5*249*15	4	刨花板Particle Board
⑤	左固定层板Fixed shelf(L)	569.5*249*15	1	刨花板Particle Board
⑥	右固定层板Fixed shelf(R)	569.5*249*15	1	刨花板Particle Board
⑦	左侧板Side board(L)	1985*297*15	1	刨花板Particle Board
⑧	右侧板Side board(R)	1985*297*15	1	刨花板Particle Board
⑨	上中侧板Upper middle side board	1135*270*15	1	刨花板Particle Board
⑩	下中侧板Middle-down side panel	752*270*15	1	刨花板Particle Board
⑪	小中侧板Small middle side board	398*248*15	2	刨花板Particle Board
⑫	前脚条Front foot strip	1154*58*15	2	刨花板Particle Board
⑬	中脚条Middle foot strip	265*58*15	1	刨花板Particle Board
⑭	上背板Upper back board	1145*578*5	2	纤维板Fiberboard
⑮	下背板Lower back board	762*578*5	2	纤维板Fiberboard
⑯	上门板Upper door board	1129*586*15	1	刨花板Particle Board
⑰	下门板Under door board	746*586*15	1	刨花板Particle Board

RG1X-A 推拉门书柜1.2米

产品分解图/Exploded drawing

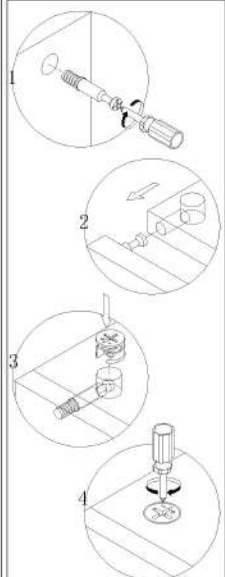
部件表/Parts List



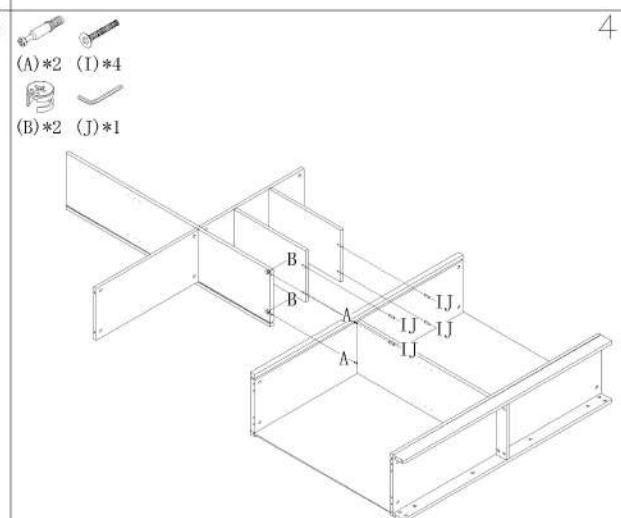
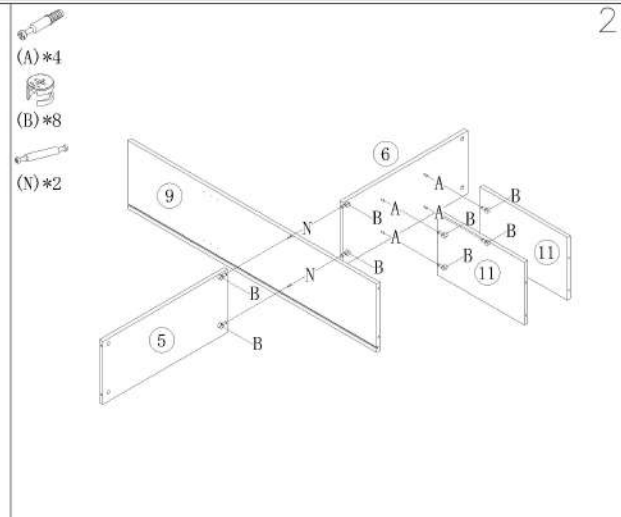
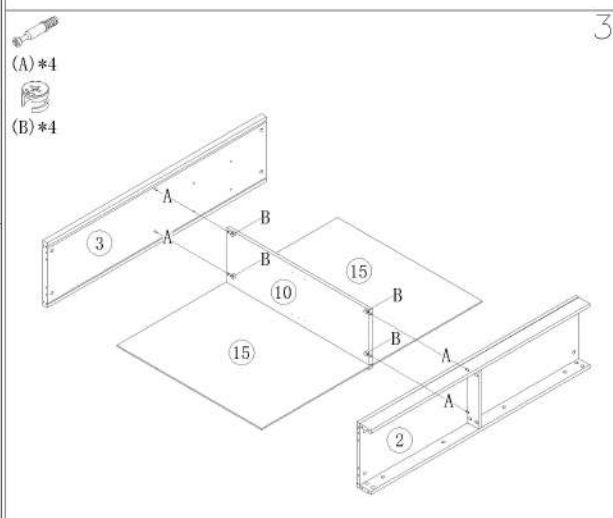
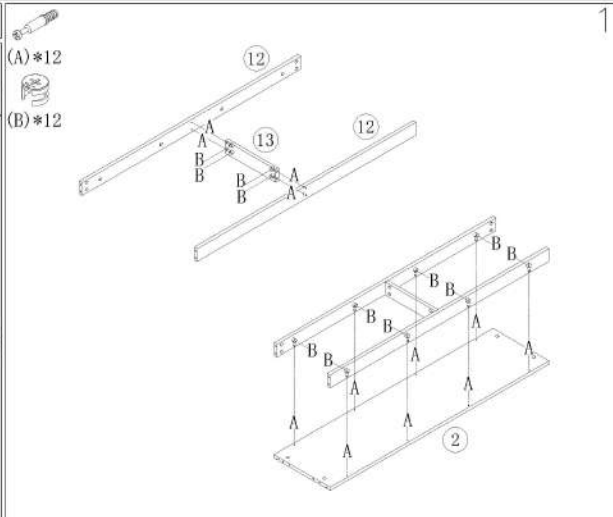
编号NO.	名称Name
①	顶板Top board
②	底板Bottom board
③	中固定层板Middle fixed shelf
④	活动层板Movable shelf
⑤	左固定层板Fixed shelf(L)
⑥	右固定层板Fixed shelf(R)
⑦	左侧板Side board(L)
⑧	右侧板Side board(R)
⑨	上中侧板Upper middle side board
⑩	下中侧板Middle-down side panel
⑪	小中侧板Small middle side board
⑫	前脚条Front foot strip
⑬	中脚条Middle foot strip
⑭	上背板Upper back board
⑮	下背板Lower back board
⑯	上门板Upper door board
⑰	下门板Under door board

RG1X-A 推拉门书柜1.2米

安装方法  
Installation method

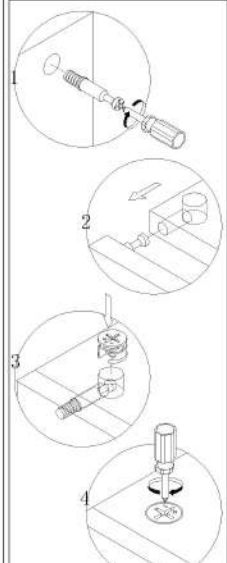


大二合一  
two-in-one



RG1X-A 推拉门书柜1.2米

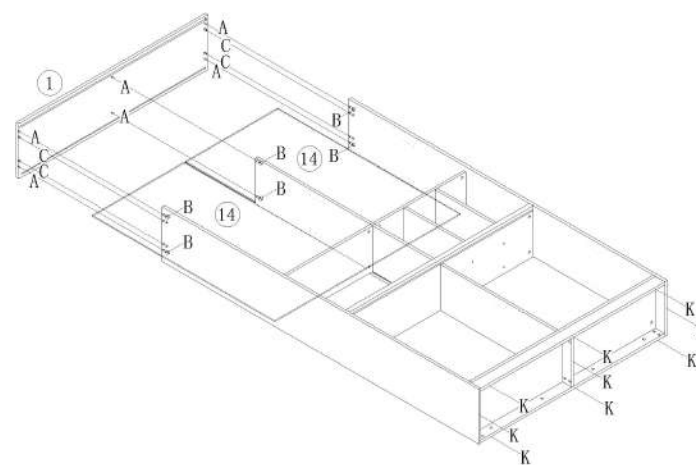
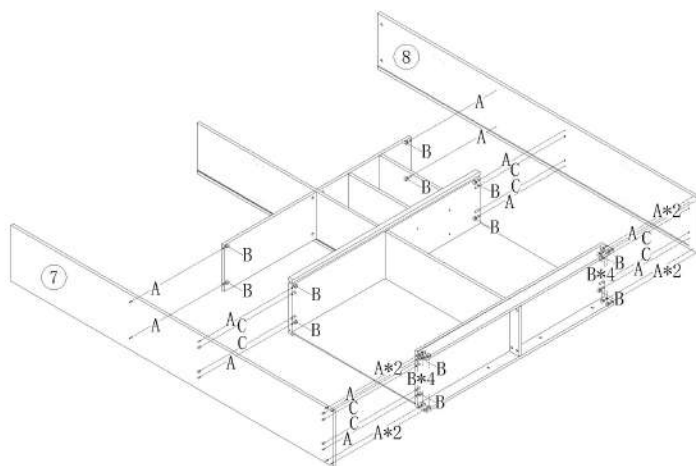
安装方法  
Installation method



大二合一  
two-in-one

- (A)\*20
- (B)\*20
- (C)\*8

- (A)\*6
- (B)\*6
- (C)\*4
- (K)\*9



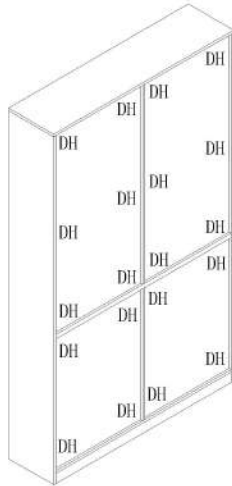
5

6

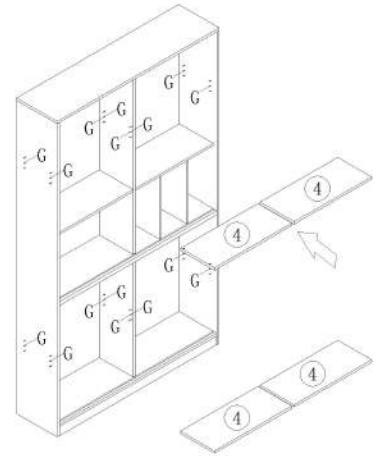
RG1X-A 推拉门书柜1.2米

安装方法  
Installation method

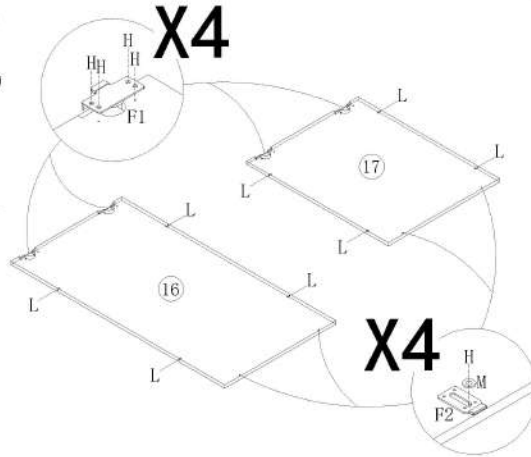
- (D)\*20
- (H)\*20



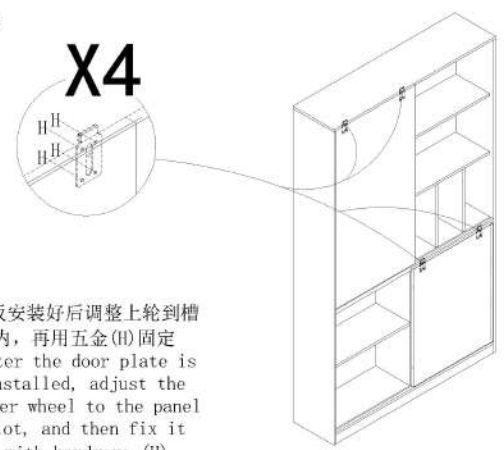
- (G)\*16



- (F)\*4
- (H)\*20
- (L)\*8
- (M)\*4



- (H)\*16



门板安装好后调整上轮到槽内，再用五金(H)固定  
After the door plate is installed, adjust the upper wheel to the panel slot, and then fix it with hardware (H)

8

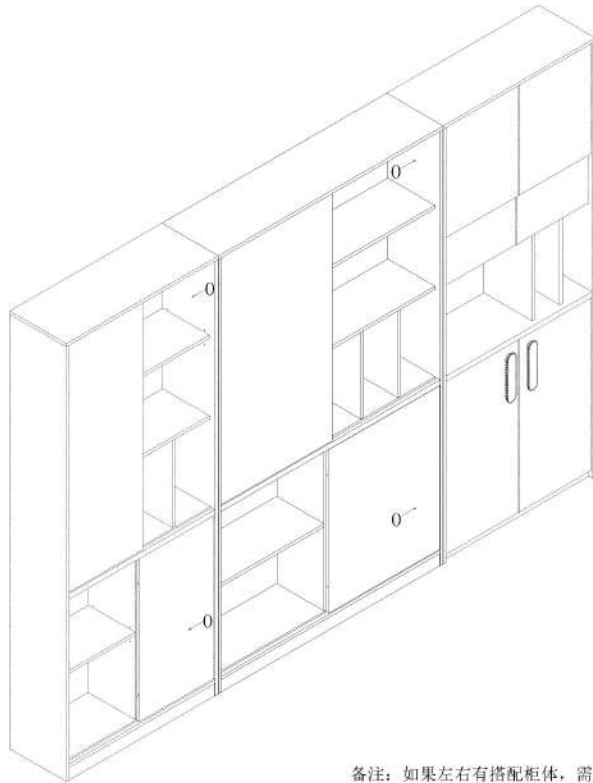
10

RG1X-A 推拉门书柜1.2米



安装方法  
Installation method



(0)\*4

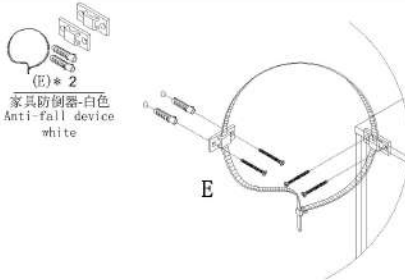


备注: 如果左右有搭配柜体, 需安装五金0  
Note: If there are matching cabinets on the left and right, hardware 0 should be installed

# LINSY 林氏家居

## 安装示意图/Assembly Instruction

产品名称 Model NO.	Anti-fall device
产品规格 Specification	-
安装工具 Tool	安装人数 Installer
	



E处放大图  
Enlarged view at E

实体墙  
Solid wall

