

LINSY 林氏家居

安装示意图/Assembly Instruction

如何区分沙发的左右方向?
How to zone the left and right direction of the sofa?

(图示仅供分辨方向用/Picture are for orientation only)



安装人数
Installer



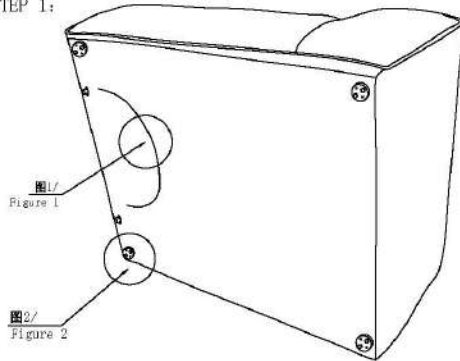
客户安装前须知:
Customers need to know before installation:
此安装图为“小左单人+小右三人”的位置关系。
This installation picture is "Small 1seat(L)+ Small 3seat(R)".

2-1

产品名称 Model No.	沙发
产品型号 Product model	PS504-A#
产品组合 Product portfolio	①小左单人+小右三人 Small 1seat(L)+ Small 3seat(R)
	②小左单人+小右三人 Small 1seat(L)+ Small 3seat(R)
尺寸规格 Specification	① 12820*1040*900mm
	② 12820*1040*900mm

小左单人 Small 1seat(R)

STEP 1:



配件表 Accessories list

编号 No.	名称 Name	图示 Icon	数量 QTY	小左单人 Small 1seat(L)	小右三人 Small 3seat(R)
A	说明书(含安装图) (with drawing)		1	0	1
B	脚- (直径70*30mm) 黑色橡胶木脚 Foot - (diameter 70*30mm) Black rubber wood foot		8	4	4
C	带40°自攻螺丝 Self-tapping screw		17	8	9
D	脚- (直径47*28.4mm) 不带钉黑胶脚 Foot - (Diameter 47 * 28.4mm) Black rubber foot without nails		1		1

序号 NO.	名称 Name	规格 Specification	数量 QTY	材质 Material
1	小左单人 Small 1seat(L)	1060*1040*900	1	实木+复合板+海绵+真皮+人造皮 Solid wood + Plywood + Spring+Memory foam+Genuine leather
2	小右三人 Small 3seat(R)	1760*1040*900	1	实木+复合板+海绵+真皮+人造皮 Solid wood + Plywood + Spring+Memory foam+Genuine leather

小右三人 Small 3seat(R)

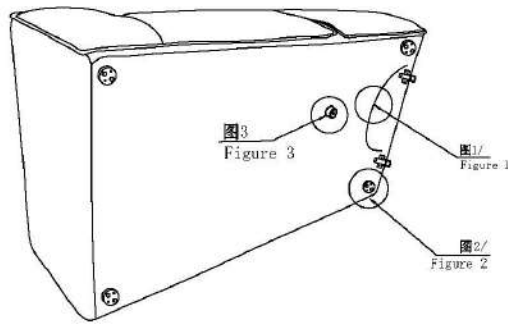
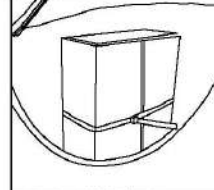


图1: 拉开拉链, 取出配件箱
Figure 1: Unzip the accessory case

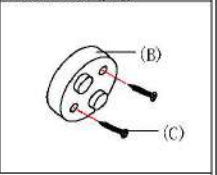
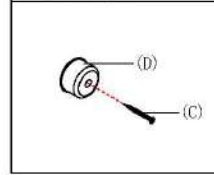
图2: 边脚安装示意图①
Figure 2: Side and foot installation diagram①



*安装原脚时, 必须把带钉小胶脚拆除!
* When installing the original feet, the small rubber feet with nails must be removed!

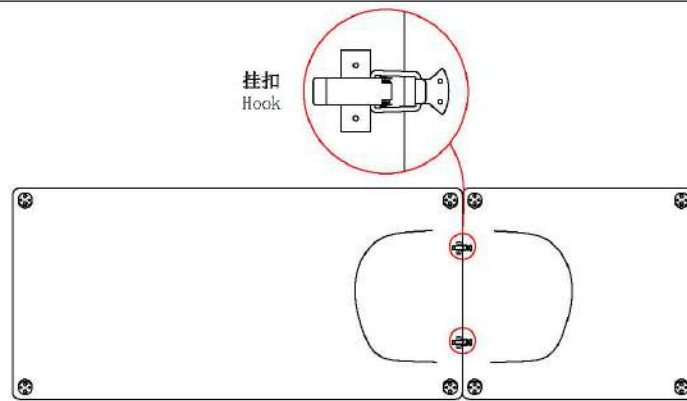
图3: 中脚安装示意图
Figure 3: Middle foot installation diagram

图2: 边脚安装示意图②
Figure 2: Side and foot installation diagram②



制图 Draw 黄平

组合 Combination



把小左单人、小右三人靠一起，锁上座架底的五金扣。

Put the small 1seat(R) and the small 3seat(R) together, and lock the metal buckle at the bottom of the seat frame.

组合图 Combination

小左单人+小右三人 Small 1seat(L)+ Small 3seat(R)

*此为定制沙发无靠包座深为55-65CM

*This is a customized sofa without a seat depth of 55-65CM



注:

1) 安装图图示方向为指示方向，具体左右摆放方式以实物为准。

The direction shown in the installation diagram is the indicated direction, and the specific left and right placement method is subject to the actual object.

2) 产品安装图中产品规格涵盖了该款式的完整组合件，详细配套组合件请参考实物。

The product specifications in the installation diagram cover the complete assembly of this style. For detailed matching assembly, please refer to the actual product.