

# LINSY 林氏家居

## 安装示意图/Assembly Instruction

如何区分沙发的左右方向?  
How to zone the left and right direction of the sofa?

(图示仅供分辨方向用/Picture are for orientation only)



安装人数  
Installer



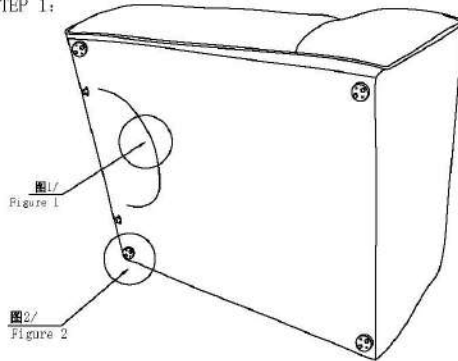
客户安装前须知:  
Customers need to know before installation:  
此安装图为“大左单人+大单人+大右单人”的位置关系。  
This installation picture is "Big 1seat(L)+ Big 1seat+ Big 1seat(R)

3-1

产品名称 Model No.	沙发
产品型号 Product model	PS504-A#
产品组合 Product portfolio	①大左单人+大单人+大右单人 Big 1seat(L)+Big 1seat+Big 1seat(R)
尺寸规格 Specification	①(3440*1040*900)mm

### 大左单人 Big 1seat(L)

STEP 1:



### 配件表 Accessories list

序号NO.	名称 Name	图示 Item	数量 QTY	大左单人 Big 1seat(L)	大单人 Big 1seat	大右单人 Big 1seat(R)
A	说明书(含安装图) Mounting Instruction (with drawing)		1	0	0	1
B	脚- (直径70*50mm) 黑色橡胶木脚 Feet - (diameter 70*50mm) Black rubber wood feet		12	4	4	4
C	Φ3*40 自攻螺丝 Φ3*40 self tapping screw		24	8	8	8

序号 NO.	名称 Name	规格 Specification	数量 QTY	材质 Material
1	大左单人 Big 1seat(L)	1260*1040*900	1	实木+组合板+海绵+真皮+人造皮 Solid wood + Plywood + Spring+foam+PU/foam leather
2	大单人 Big 1seat	920*1040*900	1	实木+组合板+海绵+真皮+人造皮 Solid wood + Plywood + Spring+foam+PU/foam leather
3	大右单人 Big 1seat(R)	1260*1040*900	1	实木+组合板+海绵+真皮+人造皮 Solid wood + Plywood + Spring+foam+PU/foam leather

### 大右单人 Big 1seat(R)

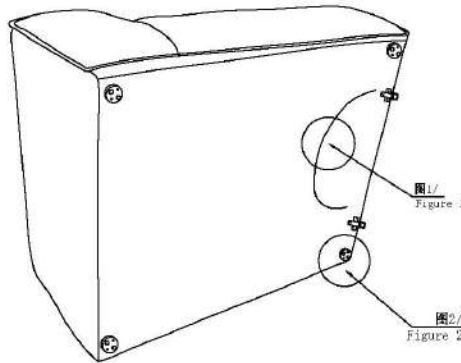


图1: 拉开拉锁, 取出配件箱  
Figure 1: Unzip the accessory case

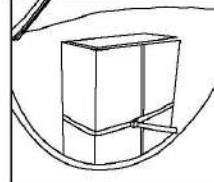
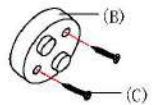


图2: 边脚安装示意图①  
Figure 2: Side and foot installation diagram①

\*安装原脚时, 必须把带钉小胶脚拆除!  
\* When installing the original feet, the small rubber feet with nails must be removed!

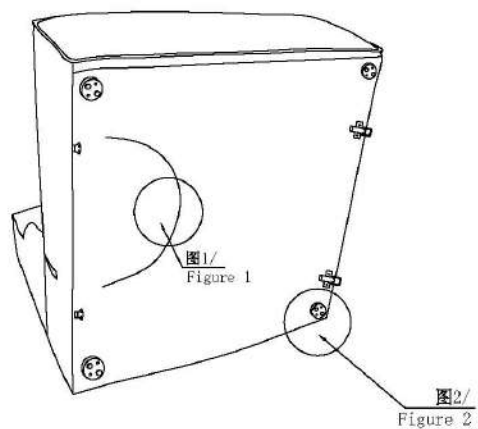
图2: 边脚安装示意图②  
Figure 2: Side and foot installation diagram②



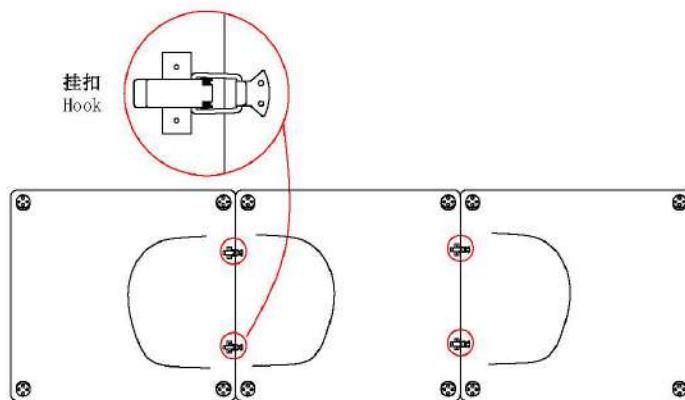
制图 Draw 黄平

大单人 Big 1seat

3-2



组合 Combination



把大左单人、大单人、大右单人靠一起，锁上座架底的五金扣。  
Put the Big 1seat(L) and the Big 1seat and the Big 1seat(R) together,  
and lock the metal buckle at the bottom of the seat frame.

## 组合图 Combination

大左单人+大单人+大右单人 Big 1seat(L)+ Big 1seat + Big 1seat(R)

\*此为定制沙发无靠包座深为55-65CM

\*This is a customized sofa without a seat depth of 55-65CM



注:

1) 安装图图示方向为指示方向, 具体左右摆放方式以实物为准。

The direction shown in the installation diagram is the indicated direction, and the specific left and right placement method is subject to the actual object.

2) 产品安装图中产品规格涵盖了该款式的完整组合件, 详细配套组合件请参考实物。

The product specifications in the installation diagram cover the complete assembly of this style. For detailed matching assembly, please refer to the actual product.