
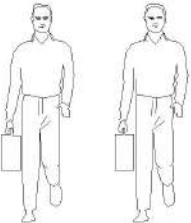




LINSY 林氏家居

五金表/Hardware list

部件表/Parts List

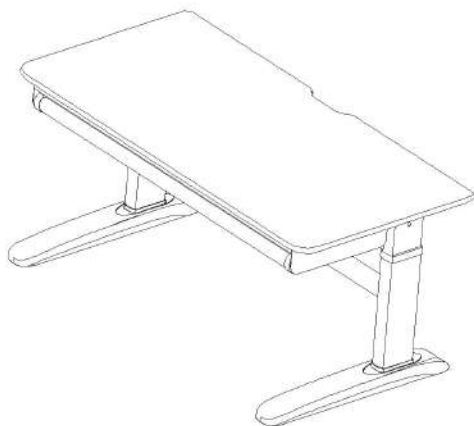
安装示意图/Assembly Instruction

产品名称 Model NO.	1.2m儿童学习桌
产品型号 Product Model	LS690V5-A
尺寸规格 Specification	(1313*615*550-760) mm
安装工具 Tool	安装人数 Installer
	

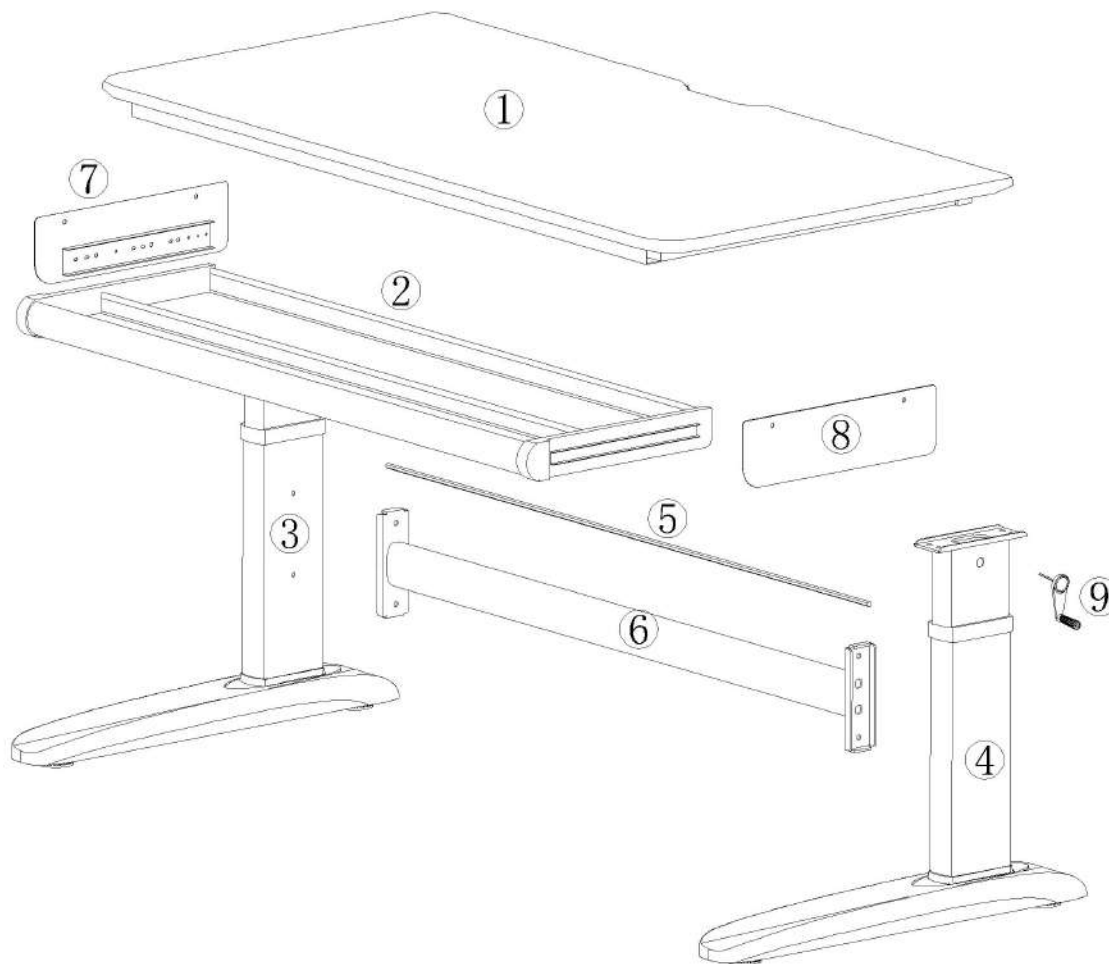
		
(A)* 16	(B)* 2	(C)* 1
M6x14内六角螺栓	手摇柄孔塞	M6螺栓扳手
Hexagon socket bolt M6*14	Hexagon socket bolt M6*30	The hand crank hole cover

编号NO.	名称Name	规格(MM) Specification	数量QTY	材质Material
①	桌面组件 Tabletop	1200*600*43mm	1	纤维板 Fiberboard
②	抽屉组件 Drawer	1060*324*53mm	1	塑料 Plastic
③	左桌腿组件 Left table legs	615*517*85mm	1	铁 Iron
④	右桌腿组件 Right table legs	615*517*85mm	1	铁 Iron
⑤	桌腿六角杆 Hexagonal rod	7*7*1020mm	1	铁 Iron
⑥	连接杆组件 Connecting rods	105*28*983mm	1	铁 Iron
⑦	左挡板组件 Left fenders	330*95*13mm	1	铁 Iron
⑧	右挡板组件 Right fenders	330*95*13mm	1	铁 Iron
⑨	手摇把 Hand crank	163*132*50mm	1	铁 Iron

注：为保证设计效果，部分尺寸为定制尺寸，不影响使用。



注意！只允许成人安装，儿童勿近
Be careful! Adult only, keep away from children.



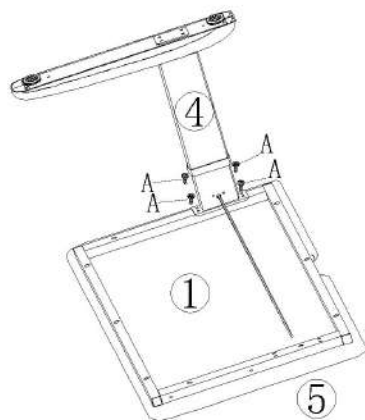
①	桌面组件 Tabletop
②	抽屉组件 Drawer
③	左桌腿组件 Left table legs
④	右桌腿组件 Right table legs
⑤	桌腿六角杆 Hexagonal rod
⑥	连接杆组件 Connecting rods
⑦	左挡板组件 Left fenders
⑧	右挡板组件 Right fenders
⑨	手摇把 Hand crank

LS690V5-A
(1.2m儿童学习桌)

安装方法/
Installation method



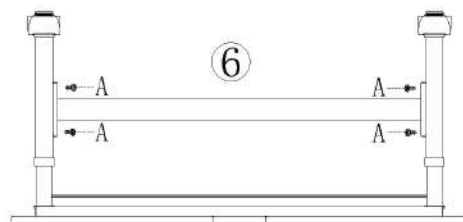
(A)*4



1. 用4颗M6x14螺栓将一侧腿安装在桌面组件上，不要拧紧螺栓，将六角杆穿入左腿孔位中。
Insert the hand crank into the corresponding holes on the chair legs (both on left & right chair legs are all OK). By turning the hand crank, adjust the chair to the appropriate height.



(A)*4

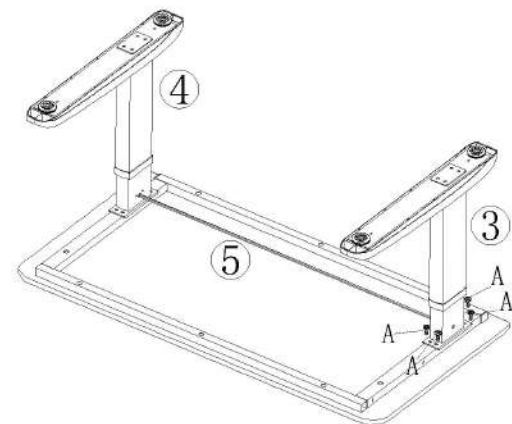


3. 用4颗M6x14螺栓将桌腿连接杆固定在桌腿上。如孔位无法对齐，用手摇杆微调桌腿以便对齐孔位，拧紧所有螺栓。
Fix the connecting rods of the table legs to the table legs using four M6*14 bolts. If the hole positions are not aligned, use hand crank to fine-tune the table legs to align the hole positions, and then tighten all the bolts.

1



(A)*4

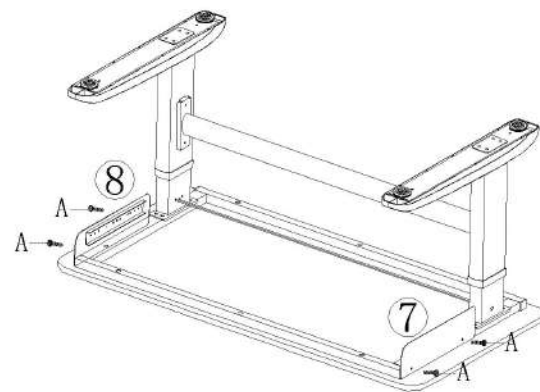


2. 将另一侧腿孔位对准六角杆，使其穿过桌腿后，用4颗M6x14螺栓将其安装在桌面组件上，不要拧紧螺栓。Let the hexagonal rod passes through the table leg on the other side, install it on the tabletop using four M6*14 bolts (DO NOT TIGHTEN THE BOLTS).

3



(A)*4



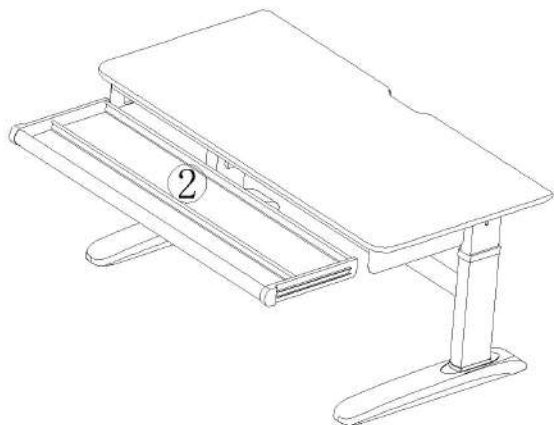
4. 用4颗M6x14螺栓将左右挡板安装在桌面上。
Install the left and right fenders on the tabletop using 4 M6x30 bolts.

2

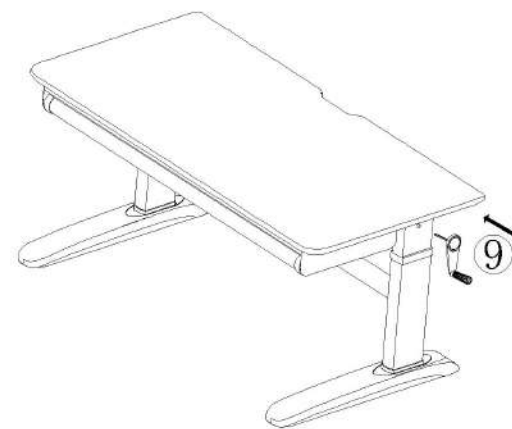
4

LS690V5-A
(1.2m儿童学习桌)

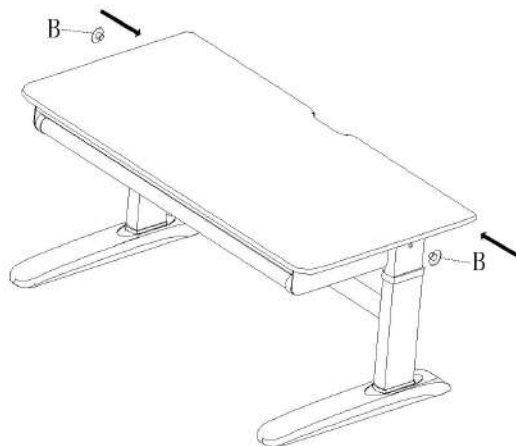
安装方法/
Installation method



5. 将抽屉侧边对准滑轨卡槽，稍用力向内推，反复推拉2-3次即可抽拉顺畅。
Align the side of the drawer with the slot on the sliding rail, then push it inward with a little force. Repeat this process 2-3 times and the drawer will slide smoothly.



6. 将手摇把插入桌腿对应的孔位，插入左右桌腿都可以，摇动手摇把将桌子调节到合适的高度。
Insert the hand crank into the hole on the table leg (both on left & right chair legs are all OK), by turning the hand crank, adjust the table to the appropriate height.



7. 将手摇柄孔塞插入桌腿对应的孔位，防止儿童随意调节桌子高度。
Insert the crank handle hole plug into the corresponding hole position of the table leg to prevent children from adjusting the table height at will.