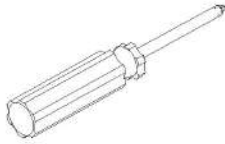
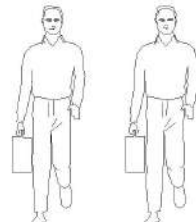


# LINSY 林氏家居

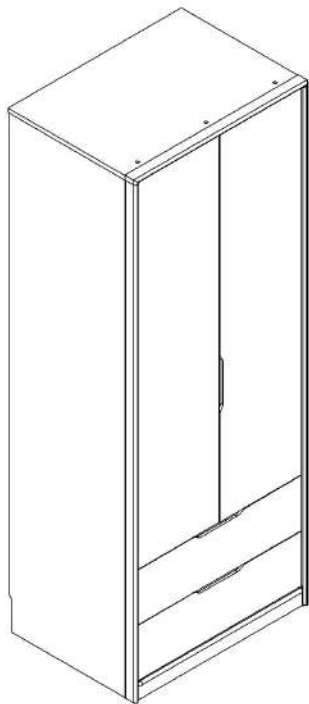
## 五金表/Hardware list

## 部件表/Parts List

### 安装示意图/Assembly Instruction

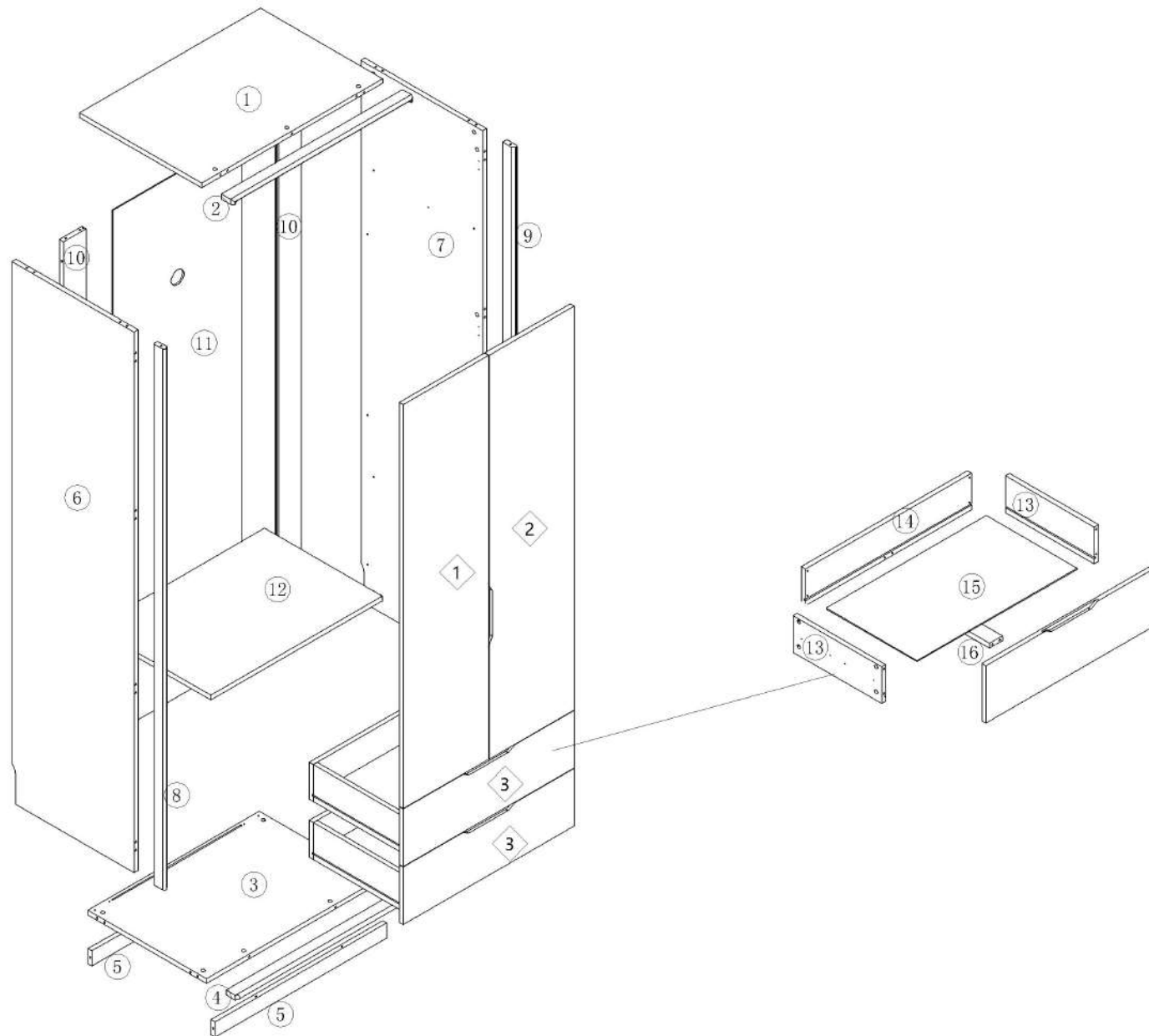
产品名称 Model NO.	UB1D-A(两门衣柜带抽)
产品规格 Specification	808*594*2111mm
安装工具 Tool	安装人数 Installer
	

注：为保证设计效果，部分尺寸为定制尺寸，不影响使用。



 (A)* 1 挂衣杆 L=758mm Clothes hanging rod	 (B)* 6 缓冲门铰大弯-杯径035 Hinge big bends diameter 35	 (C)* 67 二合一螺杆 2-in-1-screw	 (D)* 67 大三合一锁饼 Three-in-one large lock
 (E)* 23 木榫08x30mm wood tenon	 (F)* 8 层板托5mm shelf support	 (G)* 2 三节滚珠导轨-14" three-section ball rail	 (H)* 6 背板扣 Back Plate Buckle-White
 (I)* 6 自攻螺丝M3.5x16mm Self-tapping screw	 (J)* 34 自攻螺丝M3.5x12mm Self-tapping screw	 (K)* 2 挂衣托 Clothes hanger	 (L)* 8 脚垫-灰色 Footrest - Grey
 (M)* 2 透气孔盖-白色 Vent cover - white			

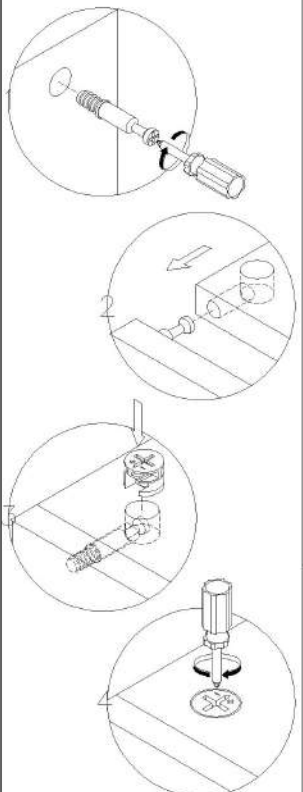
编号NO.	名称Name	规格 (mm) Specification	数量QTY	材质Material
主体: Main body				
①	面板Top panel	808*544*18	1	刨花板 Particle board
②	装饰条Decorative strip	808*50*20	1	橡胶木 Rubber wood
③	底板Bottom board	766*529*18	1	刨花板 Particle board
④	前拉条Front brace	766*50*18	1	橡胶木 Rubber wood
⑤	前后立水Front and back apron	766*58*18	2	刨花板 Particle board
⑥	左侧板Side board (L)	2088*544*18	1	刨花板 Particle board
⑦	右侧板Side board (R)	2088*544*18	1	刨花板 Particle board
⑧	左侧柱L side pillar	2088*50*20	1	橡胶木 Rubber wood
⑨	右侧柱Side column (R)	2088*50*20	1	橡胶木 Rubber wood
⑩	边背拉条Side back brace	2012*101*18	2	刨花板 Particle board
⑪	背板Back board	2022*575*5	1	纤维板 Fiberboard
⑫	左活动层板Movable shelf (L)	765*524*18	2	刨花板 Particle board
⑬	大抽屉侧板 Big drawer's sideboard	395*142*18	4	刨花板 Particle board
⑭	大抽屉后板Big drawer's back board	740*142*18	2	刨花板 Particle board
⑮	大抽屉底板Large drawer bottom plate	714*405*5	2	纤维板 Fiberboard
⑯	抽屉底托条Drawer's bottom bracket	395*58*18	2	刨花板 Particle board
门板: door plank				
◇1	左门板 Door board	1560*380*18	1	纤维板 Fiberboard
◇2	右门板 Door board	1560*380*18	1	纤维板 Fiberboard
◇3	抽屉面板 Drawer's top panel	762*222*18	2	纤维板 Fiberboard



编号NO.	名称Name
主体: Main body	
①	面板Top panel
②	装饰条Decorative strip
③	底板Bottom board
④	前拉条Front brace
⑤	前后立水Front and back apron
⑥	左侧板Side board(L)
⑦	右侧板Side board(R)
⑧	左侧柱L side pillar
⑨	右侧柱Side column(R)
⑩	边背拉条Side back brace
⑪	背板Back board
⑫	左活动层板Movable shelf(L)
⑬	大抽屉侧板 Big drawer's sideboard
⑭	大抽屉后板Big drawer's back board
⑮	大抽屉底板Large drawer bottom plate
⑯	抽屉底托条Drawer's bottom bracket
门板: door plank	
◇1	左门板 Door board
◇2	右门板 Door board
◇3	抽屉面板 Drawer's top panel

UBID-A(两门衣柜带抽)

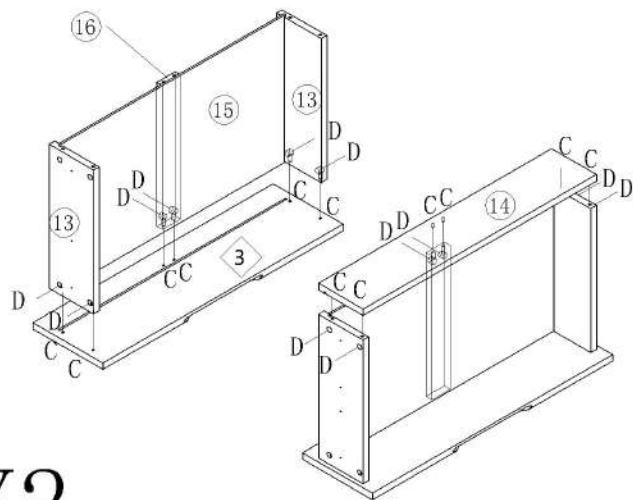
安装方法/  
Installation method



大二合一  
two-in-one

- (C)\*24
- (D)\*24

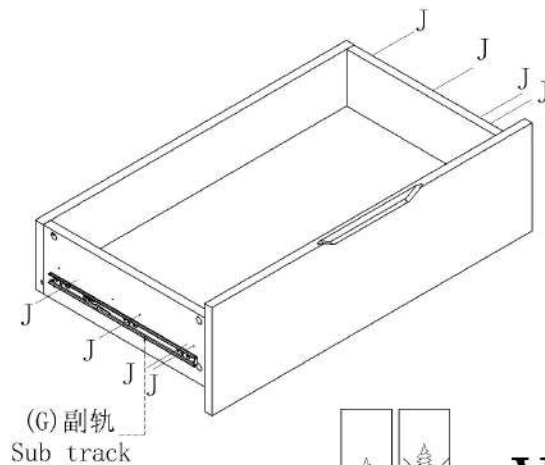
X2



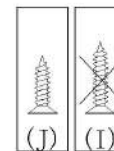
1

- (G)\*2
- (J)\*16

2



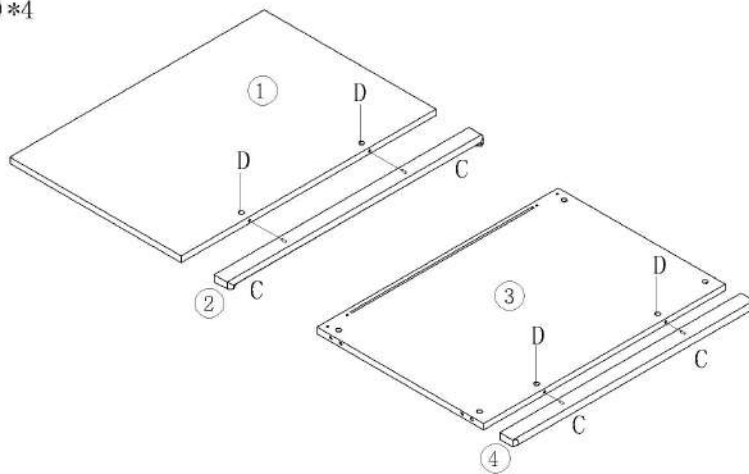
(G) 副轨  
Sub track



X2

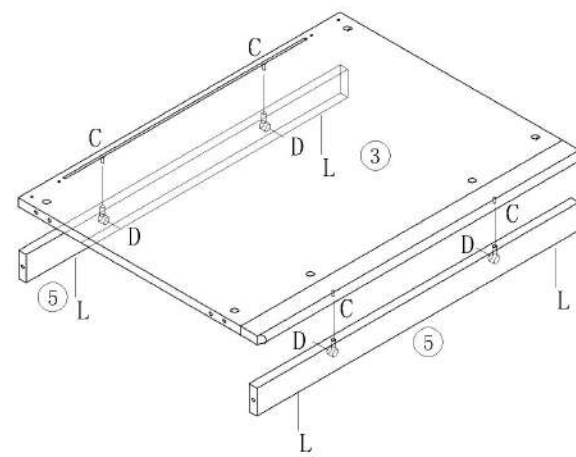
- (C)\*4
- (D)\*4

3



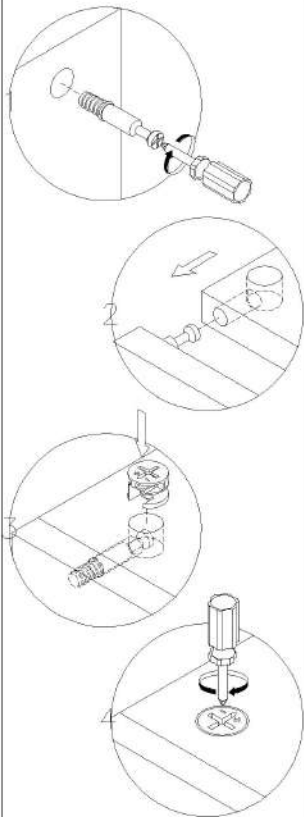
- (C)\*4
- (D)\*4
- (L)\*4

4



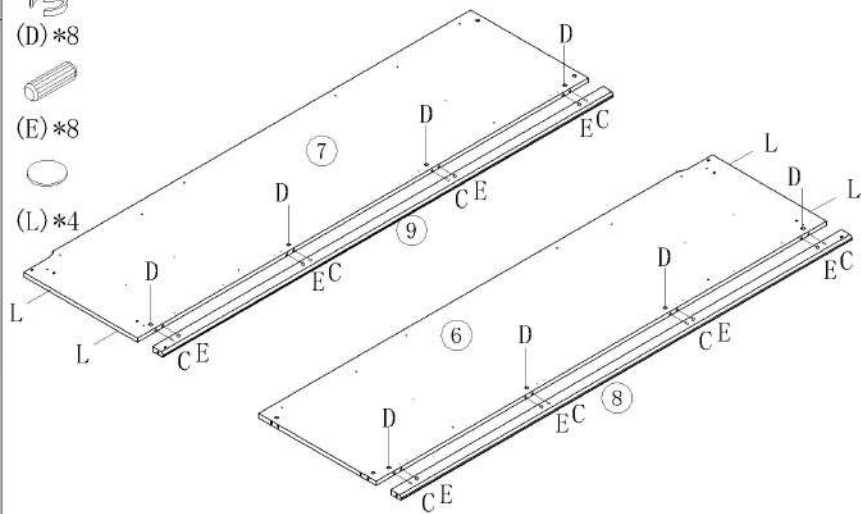
UB1D-A(两门衣柜带抽)

安装方法/  
Installation method



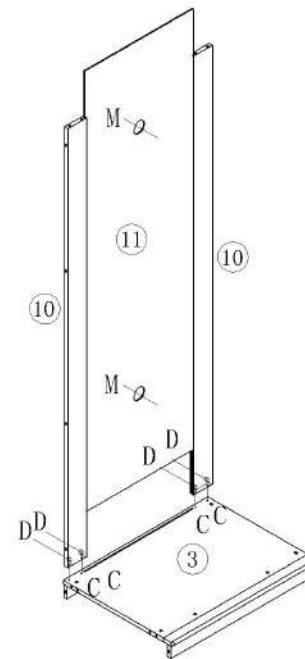
大二合一  
two-in-one

- (C)\*8
- (D)\*8
- (E)\*8
- (L)\*4



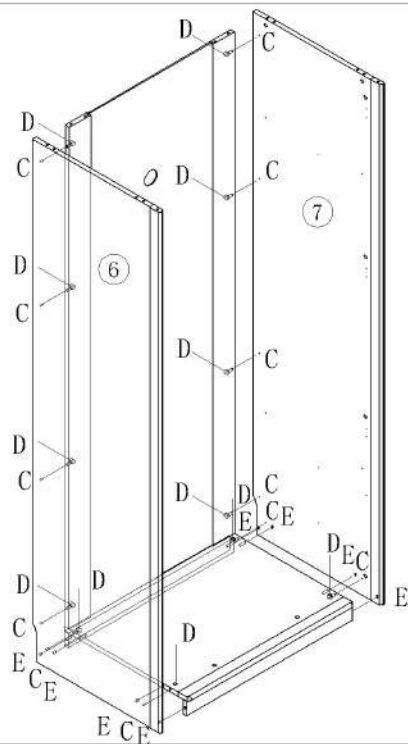
5

- (C)\*4
- (D)\*4
- (M)\*2



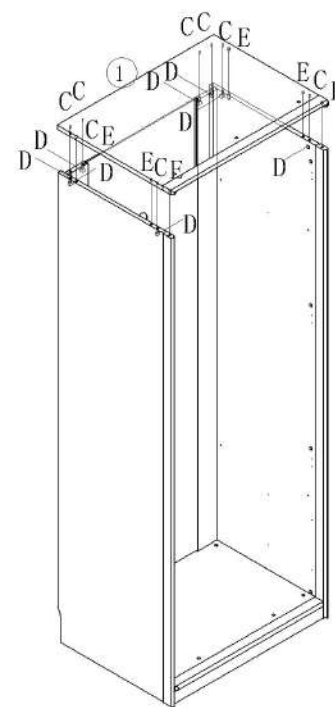
6

- (C)\*12
- (D)\*12
- (E)\*8



7

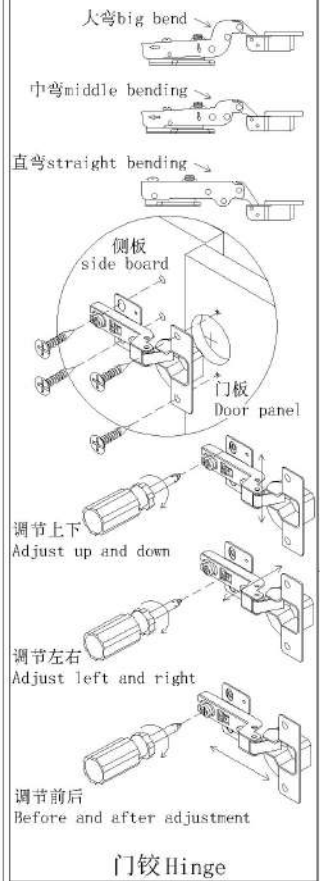
- (C)\*8
- (D)\*8
- (E)\*6



8

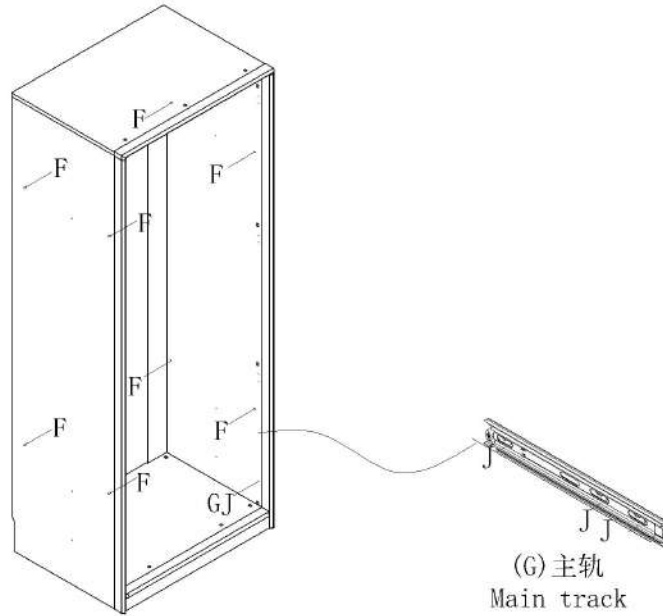
UB1D-A(两门衣柜带抽)

安装方法/  
Installation method

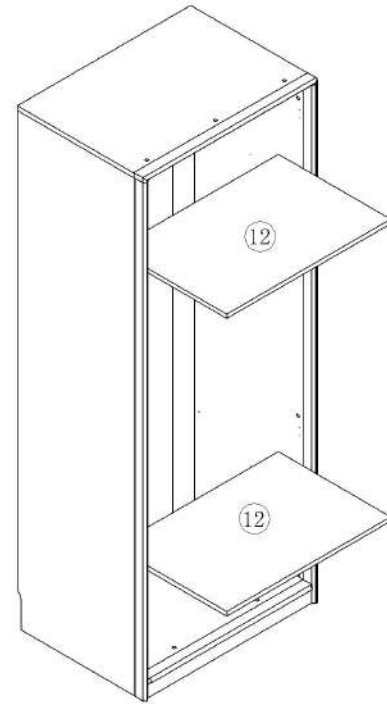


- (F)\*8
- (J)\*12
- (G)\*2
- (A)\*1
- (J)\*4
- (K)\*2

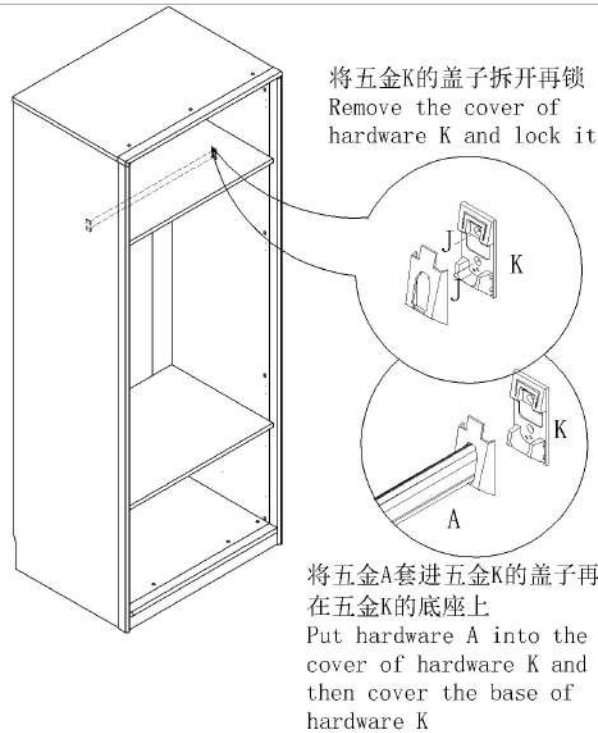
9



10

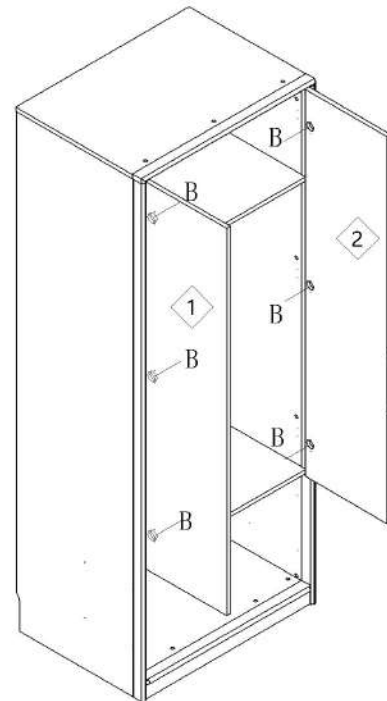


11



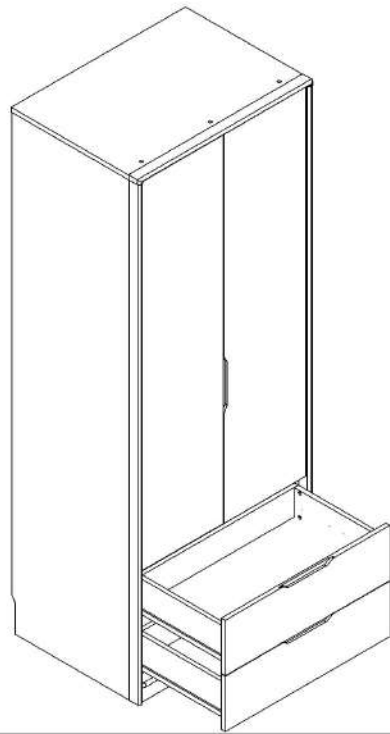
- (B)\*6

12

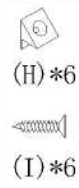


UB1D-A (两门衣柜带抽)

安装方法/  
Installation method



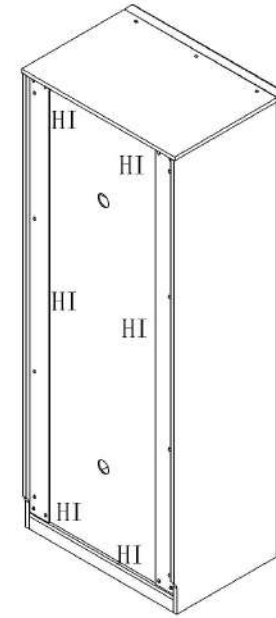
13



(H)\*6

(I)\*6

14



15

16