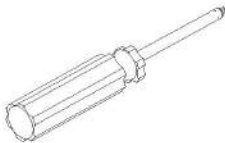
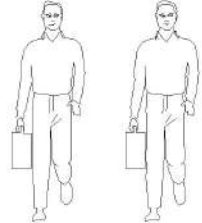


LINSY 林氏家居

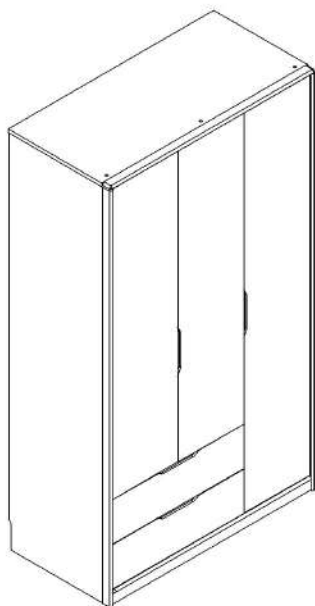
五金表/Hardware list



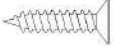



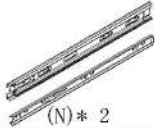
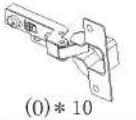
部件表/Parts List

安装示意图/Assembly Instruction

产品名称 Model NO.	UB1D-A(三门衣柜)
产品规格 Specification	1190*594*2111mm
安装工具 Tool	安装人数 Installer
	

注：为保证设计效果，部分尺寸为定制尺寸，不影响使用。

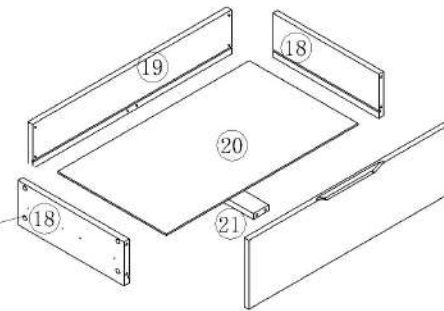
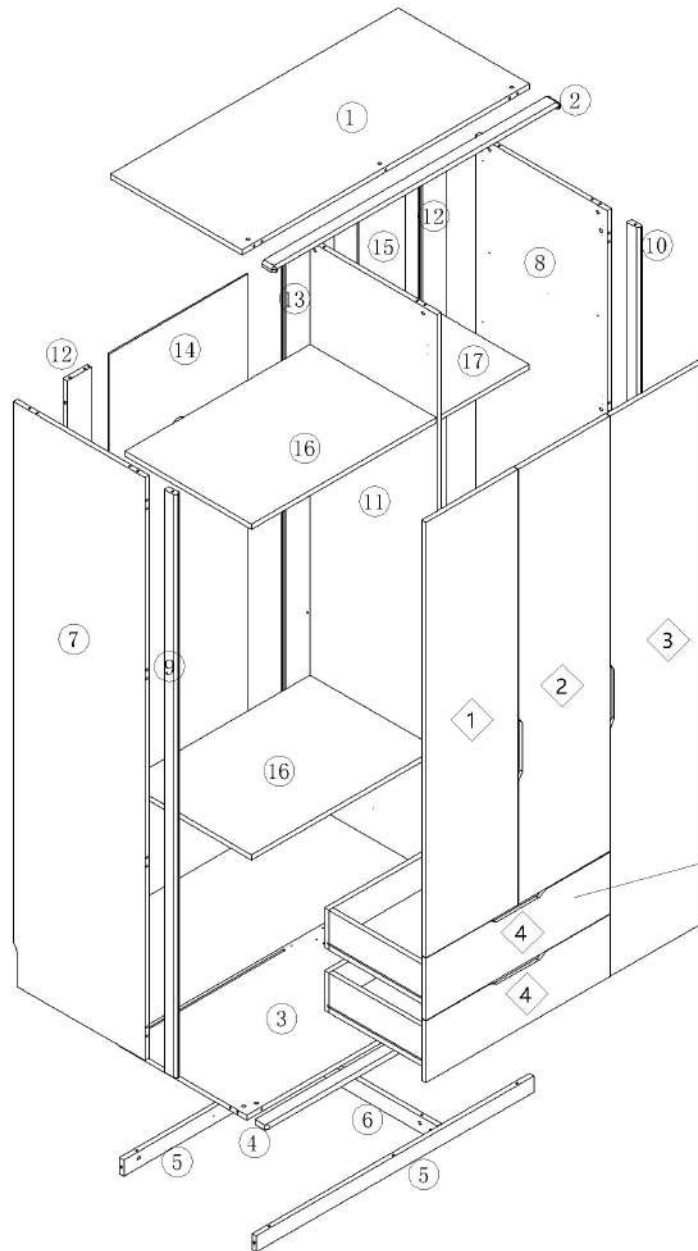


 (A)* 1 挂衣杆1 L=758mm Clothes hanging rod	 (B)* 1 挂衣杆2 L=356mm Clothes hanging rod	 (C)* 84 二合一螺杆 2-in-1-screw	 (D)* 84 大三合一锁饼 Three-in-one large lock
 (E)* 27 木榫Ø8x30mm wood tenon	 (F)* 12 层板托5mm shelf support	 (G)* 2 过山丝-M7x38mm Self-tapping screw galvanized	 (H)* 13 背板扣 Back Plate Buckle-White
 (I)* 17 自攻螺丝M3.5x16mm Self-tapping screw	 (J)* 38 自攻螺丝M3.5x12mm Self-tapping screw	 (K)* 4 挂衣托 Clothes hanger	 (L)* 10 脚垫-灰色 Footrest - Grey
 (M)* 3 透气孔盖-白色 Vent cover - white	 (N)* 2 三节滚珠导轨-14" three-section ball rail	 (O)* 10 缓冲门铰大弯-杯径Ø35 Wings-big bonds-diameter 35	 (P)* 1 单层磁碰 magnetic catch-white

编号NO.	名称Name	规格 (mm) Specification	数量QTY	材质Material
主体: Main body				
①	面板Top panel	1190*544*18	1	刨花板 Particle board
②	装饰条Decorative strip	1190*50*20	1	橡胶木 Rubber wood
③	底板Bottom board	1148*529*18	1	刨花板 Particle board
④	前拉条Front brace	1148*50*18	1	橡胶木 Rubber wood
⑤	前后立水Front and back apron	1148*58*18	2	刨花板 Particle board
⑥	中立水Middle apron	531*58*18	1	刨花板 Particle board
⑦	左侧板Side board(L)	2088*544*18	1	刨花板 Particle board
⑧	右侧板Side board(R)	2088*544*18	1	刨花板 Particle board
⑨	左侧柱L side pillar	2088*50*20	1	橡胶木 Rubber wood
⑩	右侧柱Side column(R)	2088*50*20	1	橡胶木 Rubber wood
⑪	左中侧板Middle side board(L)	2012*526*18	1	刨花板 Particle board
⑫	边背拉条Side back brace	2012*101*18	2	刨花板 Particle board
⑬	背拉条Back brace	2012*201*18	1	刨花板 Particle board
⑭	背板Back board	2022*575*5	1	纤维板 Fiberboard
⑮	边背板Side back board	2022*193*5	1	纤维板 Fiberboard
⑯	左活动层板Movable shelf(L)	765*524*18	2	刨花板 Particle board
⑰	小层板Small shelf	363*524*18	1	刨花板 Particle board
⑱	大抽屉侧板 Big drawer's sideboard	395*142*18	4	刨花板 Particle board
⑲	大抽屉后板Big drawer's back board	740*142*18	2	刨花板 Particle board
⑳	大抽屉底板Large drawer bottom plate	714*405*5	2	纤维板 Fiberboard
㉑	抽屉底托条Drawer's bottom bracket	395*58*18	2	刨花板 Particle board

部件表/Parts List

编号NO.	名称Name	规格 (mm) Specification	数量QTY	材质Material	门板: door plank
③	右门板 Door board	2008*380*18	1	纤维板 Fiberboard	① 左门板 Door board 1560*380*18 1 纤维板 Fiberboard
④	抽屉面板 Drawer's top panel	762*222*18	2	纤维板 Fiberboard	② 左中门板 Middle door(L) 1560*380*18 1 纤维板 Fiberboard



门板: door plank

编号NO.

名称Name

③

右门板 Door board

主体: Main body

④

抽屉面板 Drawer's top panel

①

面板Top panel

②

装饰条Decorative strip

③

底板Bottom board

④

前拉条Front brace

⑤

前后立水Front and back apron

⑥

中立水Middle apron

⑦

左侧板Side board(L)

⑧

右侧板Side board(R)

⑨

左侧柱L side pillar

⑩

右侧柱Side column(R)

⑪

左中侧板Middle side board(L)

⑫

边背拉条Side back brace

⑬

背拉条Back brace

⑭

背板Back board

⑮

边背板Side back board

⑯

左活动层板Movable shelf(L)

⑰

小层板Small shelf

⑱

大抽屉侧板 Big drawer's sideboard

⑲

大抽屉后板Big drawer's back board

⑳

大抽屉底板Large drawer bottom plate

㉑

抽屉底托条Drawer's bottom bracket

门板: door plank

①

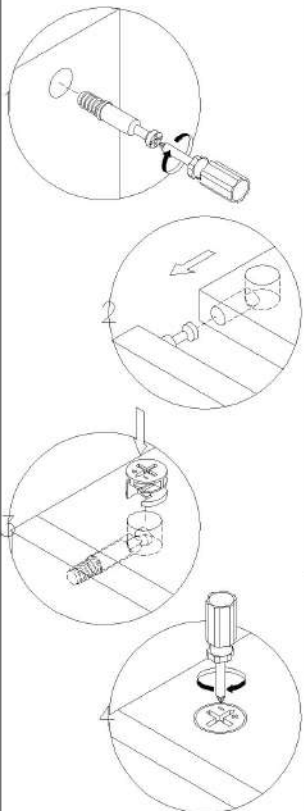
左门板 Door board

②

左中门板 Middle door(L)

UB1D-A(三门衣柜)

安装方法/
Installation method

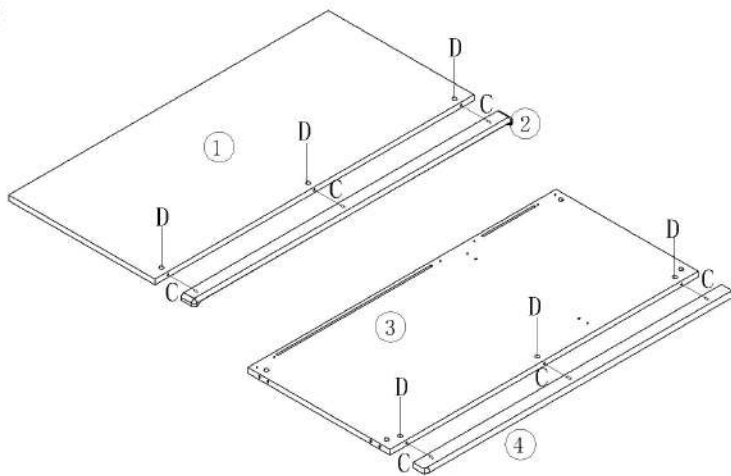
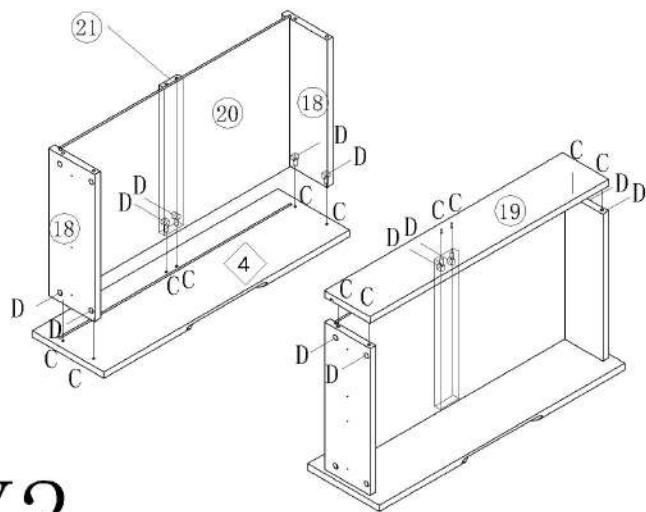


大二合一
two-in-one

- (C)*24
- (D)*24

- (C)*6
- (D)*6

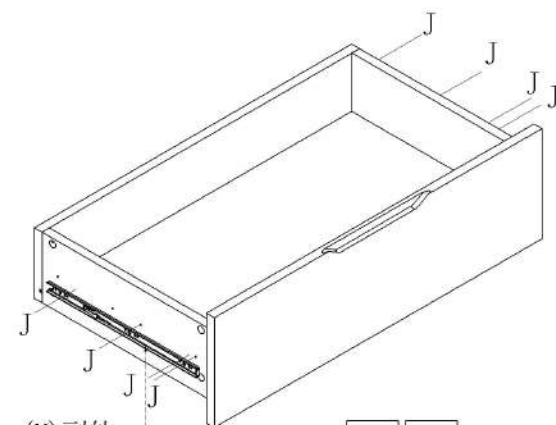
X2



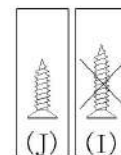
1

- (N)*2
- (J)*16

2



(N) 副轨
Sub track

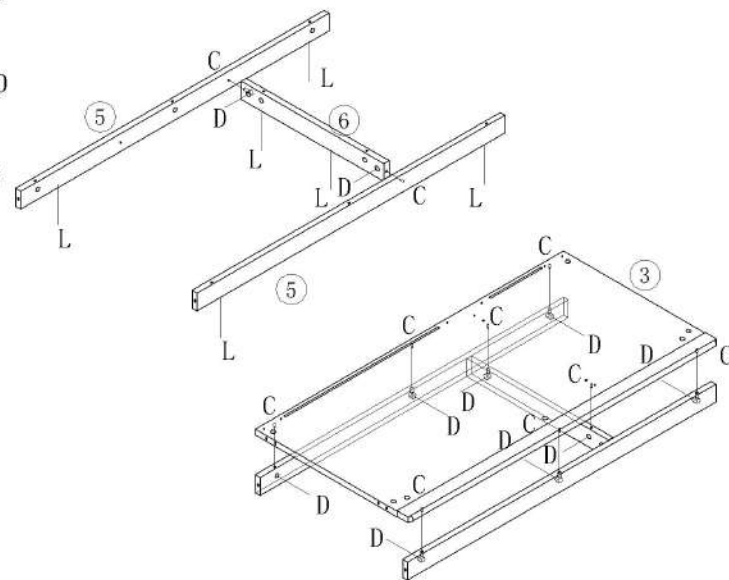


X2

3

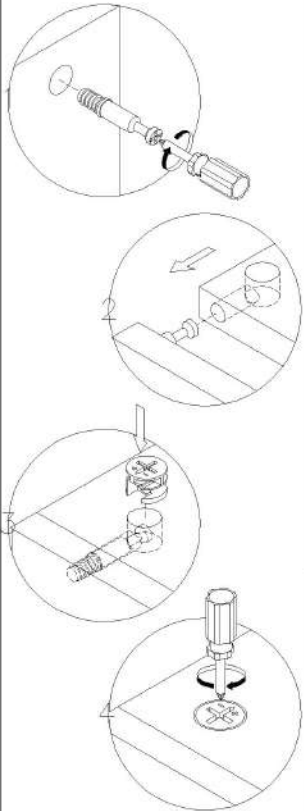
- (C)*10
- (D)*10
- (L)*6

4



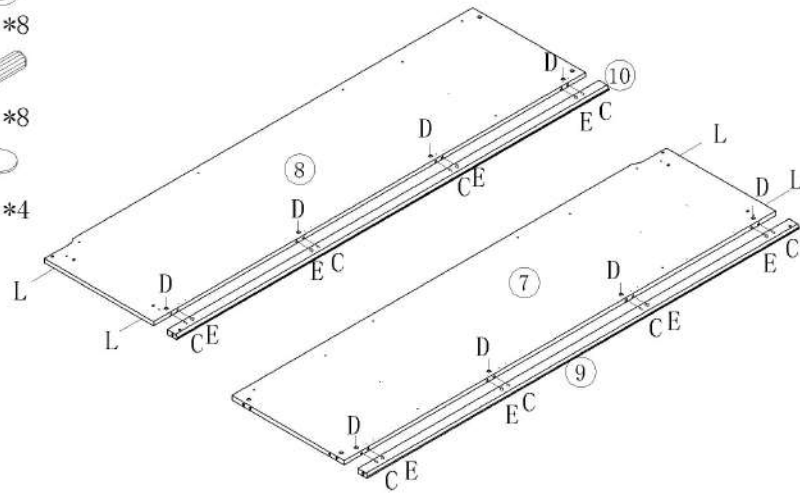
UB1D-A(三门衣柜)

安装方法/
Installation method



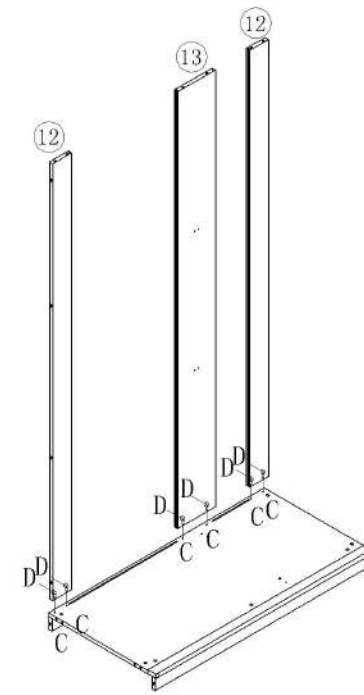
大二合一
two-in-one

- (C)*8
- (D)*8
- (E)*8
- (L)*4



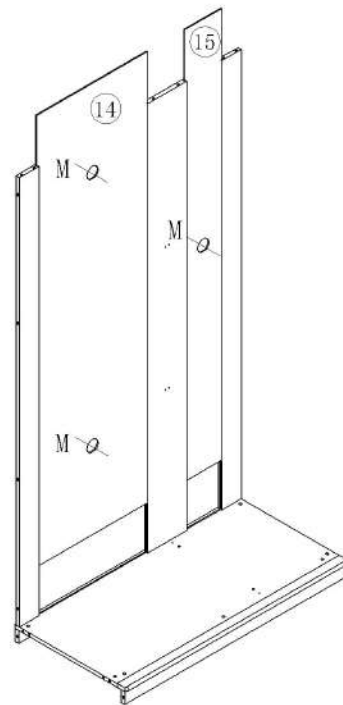
5

- (C)*6
- (D)*6



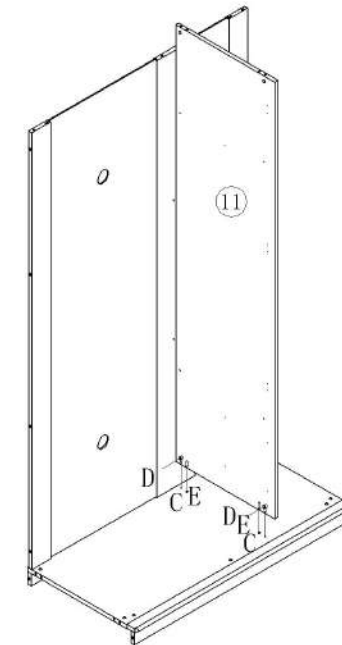
6

- (M)*3



7

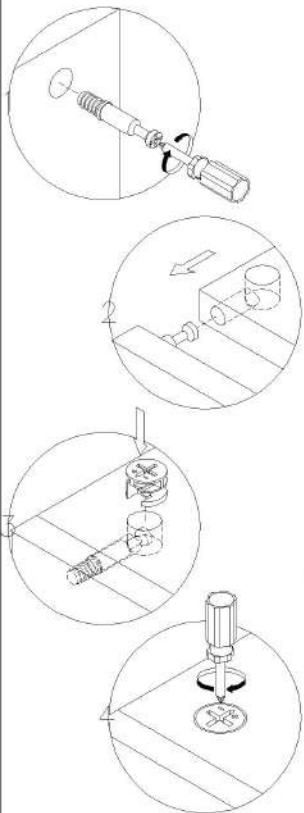
- (C)*2
- (D)*2
- (E)*2







8

UB1D-A(三门衣柜)

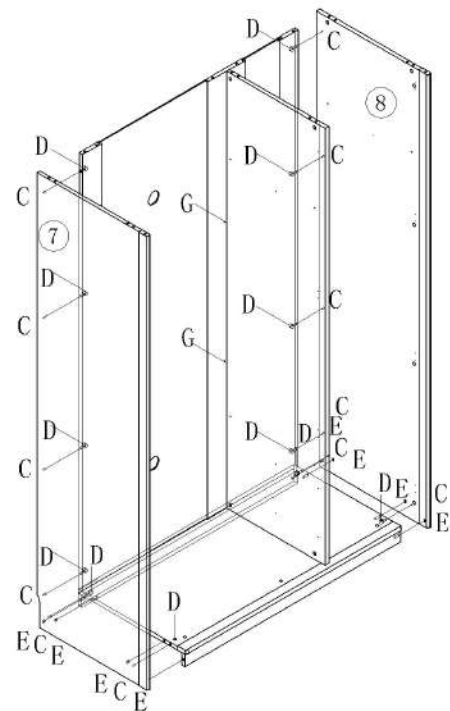
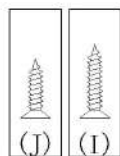
安装方法/
Installation method






大二合一
two-in-one

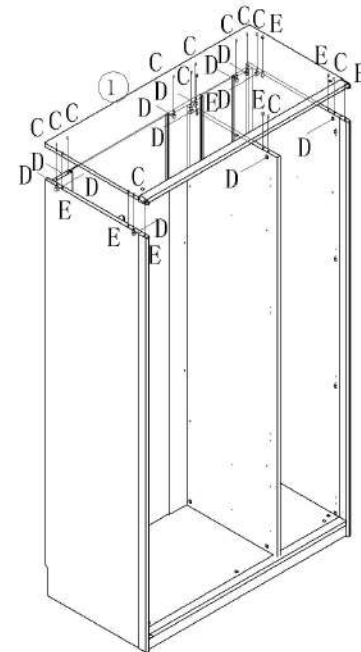
-  (C)*12
-  (D)*12
-  (E)*8
-  (G)*2

-  (F)*12
-  (P)*1
-  (J)*12
-  (N)*2
-  (I)*2



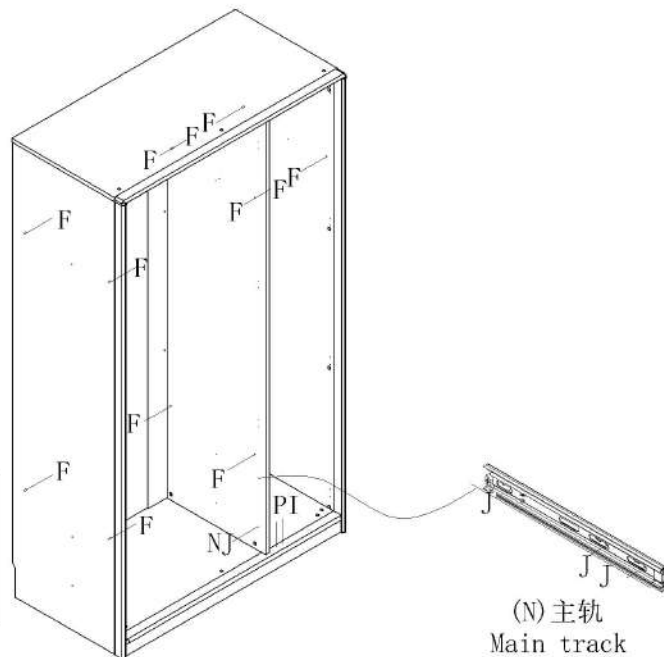
9

-  (C)*12
-  (D)*12
-  (E)*8

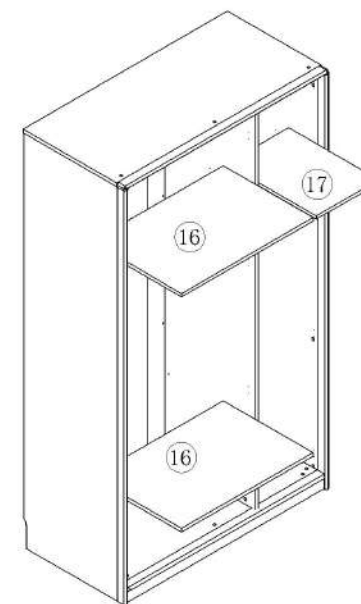


10

11



12



UB1D-A(三门衣柜)

安装方法/
Installation method

大弯big bend

中弯middle bending

直弯straight bending

侧板 side board

门板 Door panel

调节上下 Adjust up and down

调节左右 Adjust left and right

调节前后 Before and after adjustment

门铰 Hinge

- (A)*1
- (B)*1
- (J)*8
- (K)*4

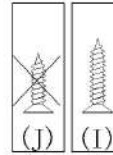


将五金K的盖子拆开再锁
Remove the cover of hardware K and lock it

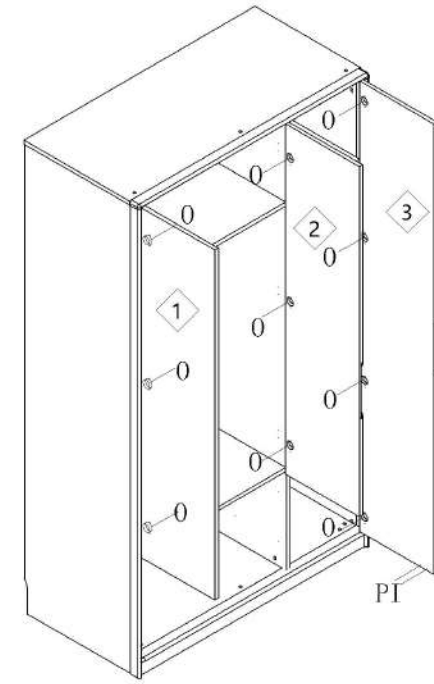
将五金A/B套进五金K的盖子再
盖在五金K的底座上
Put hardware A/B into the cover of hardware K and then cover the base of hardware K

13

- (P)*1
- (I)*2
- (O)*10

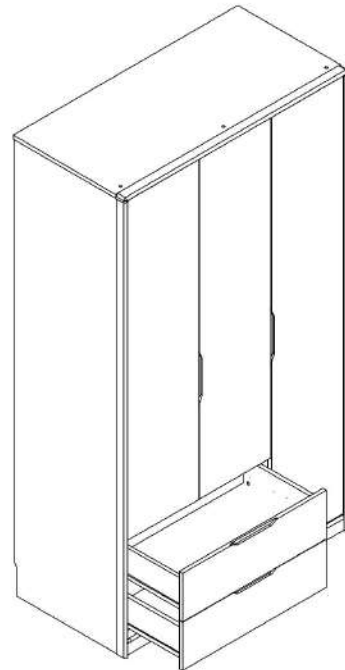


14



15

- (H)*12
- (I)*12



16

