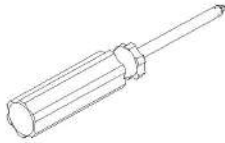
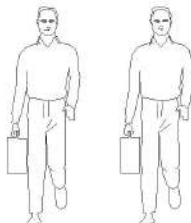


LINSY 林氏家居

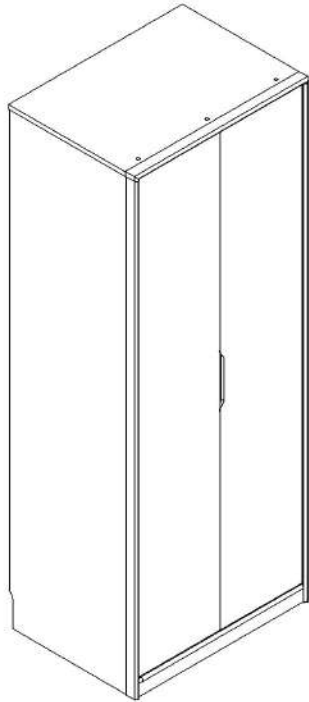
五金表/Hardware list


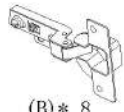











部件表/Parts List

安装示意图/Assembly Instruction

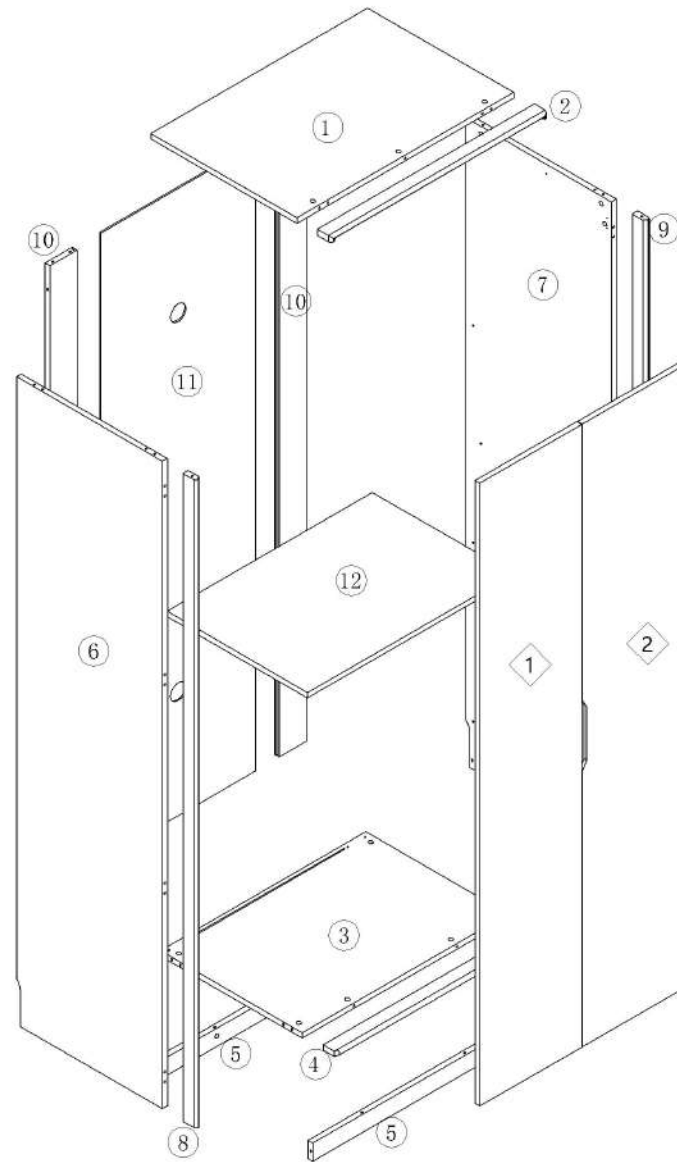
产品名称 Model NO.	UB1D-A(两门衣柜)
产品规格 Specification	808*594*2111mm
安装工具 Tool	安装人数 Installer
	

注：为保证设计效果，部分尺寸为定制尺寸，不影响使用。



 (A)* 2 挂衣杆 L=758mm Clothes hanging rod	 (B)* 8 缓冲门铰大弯-杯径35	 (C)* 42 二合一螺杆 2-in-1-screw	 (D)* 42 大三合一锁饼 Three-in-one large lock
 (E)* 23 木榫08x30mm wood tenon	 (F)* 4 层板托5mm shelf support	 (G)* 6 背板扣 Back Plate Buckle-White	 (H)* 23 自攻螺丝M3.5x16mm Self-tapping screw
 (J)* 8 自攻螺丝M3.5x12mm Self-tapping screw	 (K)* 4 挂衣托 Clothes hanger	 (L)* 8 脚垫-灰色 Footrest - Grey	 (M)* 2 透气孔盖-白色 Vent cover - white
 (N)* 4 单层磁碰 magnetic catch-white			

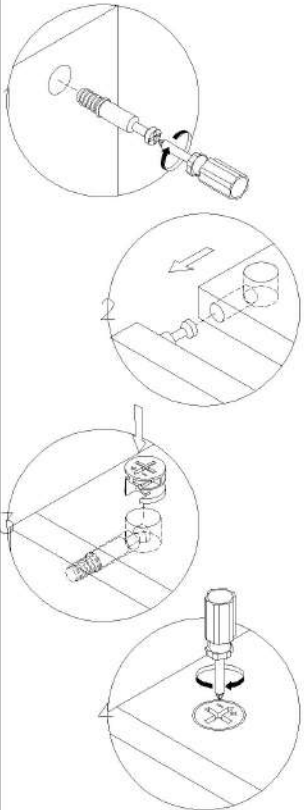
编号NO.	名称Name	规格 (mm) Specification	数量QTY	材质Material
主体: Main body				
①	面板Top panel	808*544*18	1	刨花板 Particle board
②	装饰条Decorative strip	808*50*20	1	橡胶木 Rubber wood
③	底板Bottom board	766*529*18	1	刨花板 Particle board
④	前拉条Front brace	766*50*18	1	橡胶木 Rubber wood
⑤	前后立水Front and back apron	766*58*18	2	刨花板 Particle board
⑥	左侧板Side board (L)	2088*544*18	1	刨花板 Particle board
⑦	右侧板Side board (R)	2088*544*18	1	刨花板 Particle board
⑧	左侧柱L side pillar	2088*50*20	1	橡胶木 Rubber wood
⑨	右侧柱Side column (R)	2088*50*20	1	橡胶木 Rubber wood
⑩	边背拉条Side back brace	2012*101*18	2	刨花板 Particle board
⑪	背板Back board	2022*575*5	1	纤维板 Fiberboard
⑫	左活动层板Movable shelf (L)	765*524*18	1	刨花板 Particle board
门板: door plank				
◇1	左门板 Door board	2008*380*18	1	纤维板 Fiberboard
◇2	右门板 Door board	2008*380*18	1	纤维板 Fiberboard



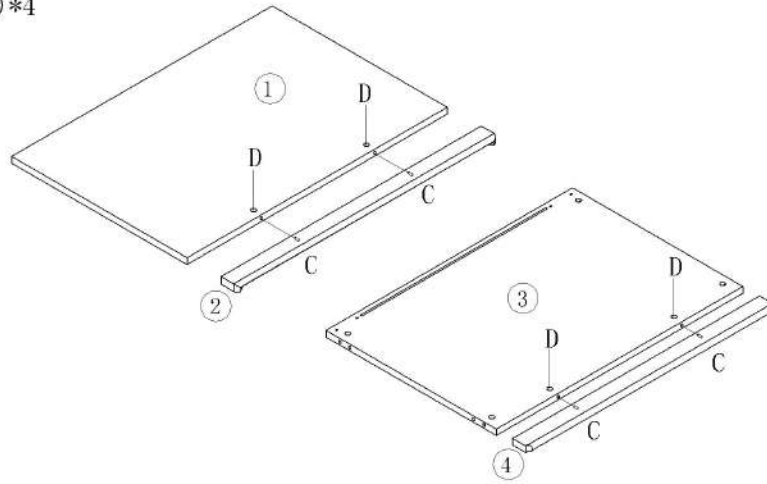
编号NO.	名称Name
主体: Main body	
①	面板Top panel
②	装饰条Decorative strip
③	底板Bottom board
④	前拉条Front brace
⑤	前后立水Front and back apron
⑥	左侧板Side board(L)
⑦	右侧板Side board(R)
⑧	左侧柱L side pillar
⑨	右侧柱Side column(R)
⑩	边背拉条Side back brace
⑪	背板Back board
⑫	左活动层板Movable shelf(L)
门板: door plank	
◇1	左门板 Door board
◇2	右门板 Door board

UB1D-A(两门衣柜)

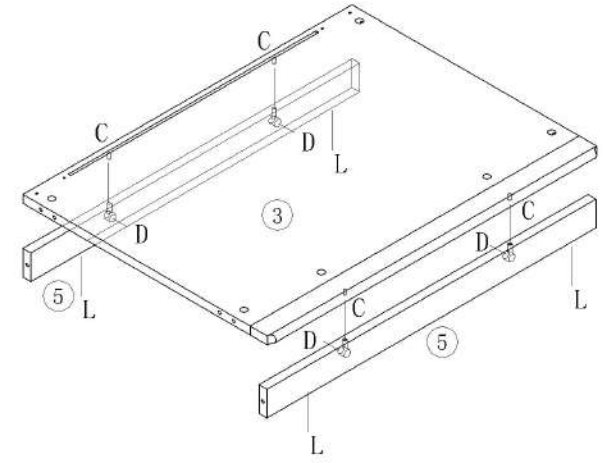
安装方法/
Installation method



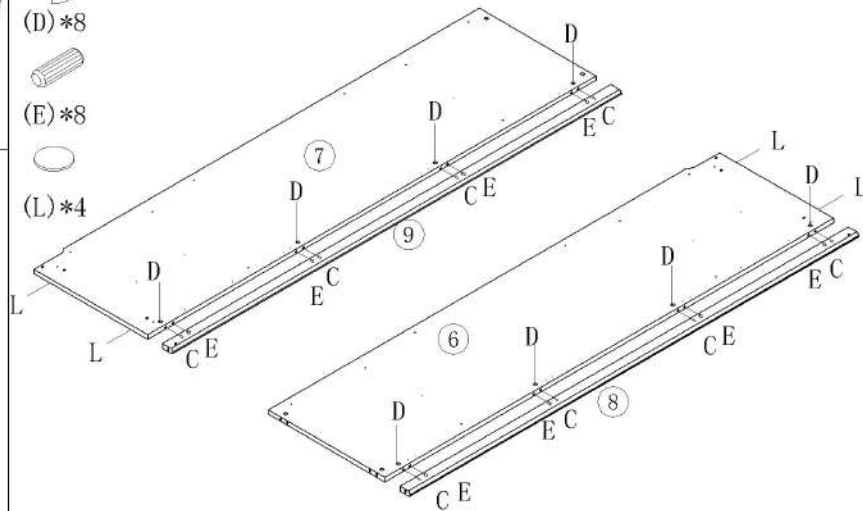
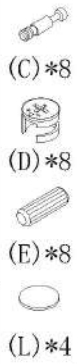
大二合一
two-in-one



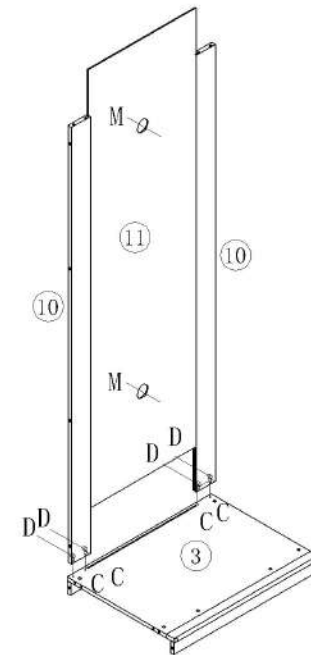
1



2



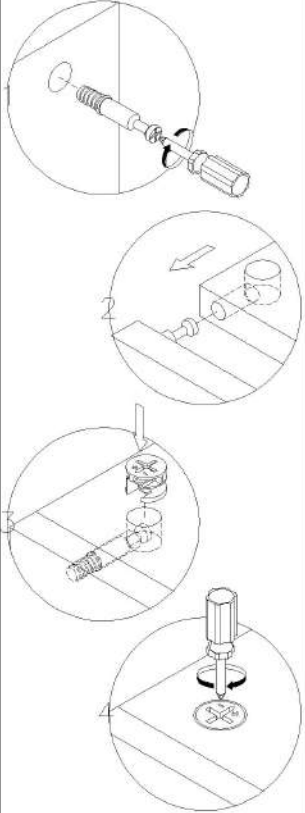
3



4

UB1D-A(两门衣柜)

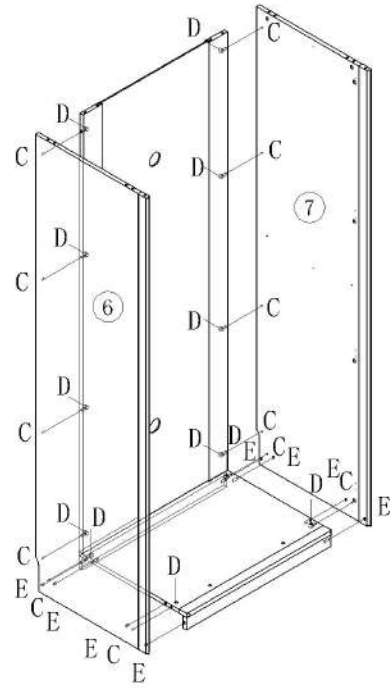
安装方法/
Installation method



大二合一
two-in-one

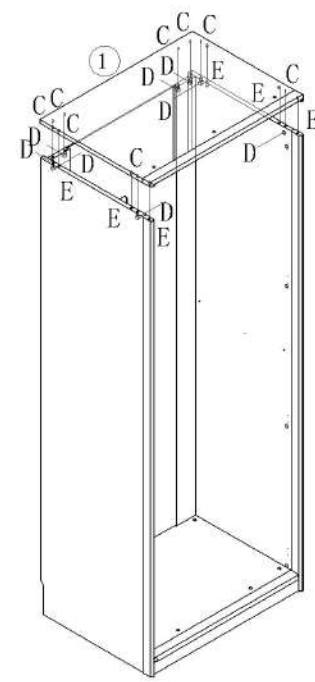
- (C)*12
- (D)*12
- (E)*8

- (F)*4



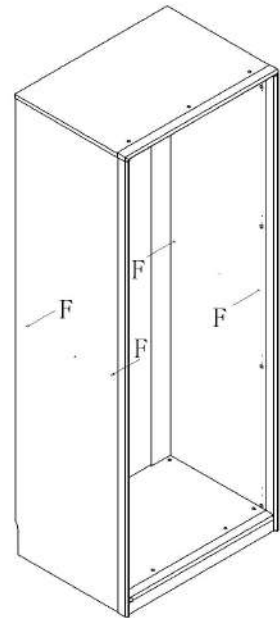
5

- (C)*8
- (D)*8
- (E)*6

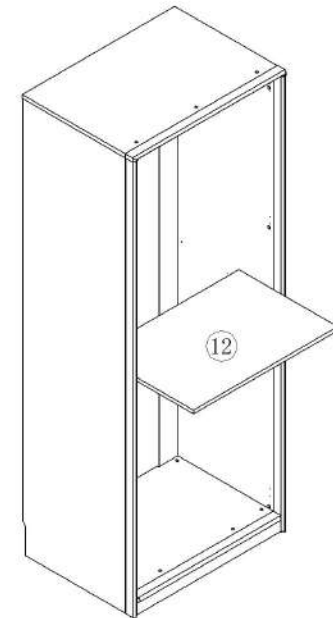


6

7

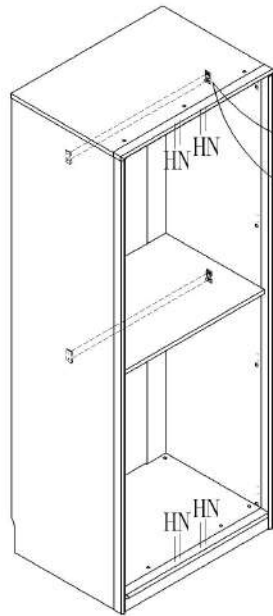
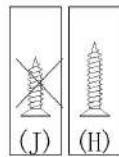
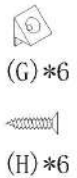
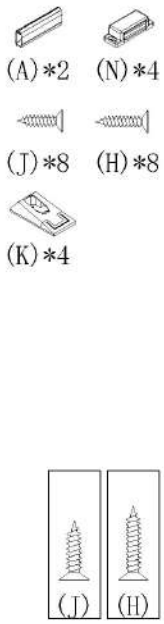
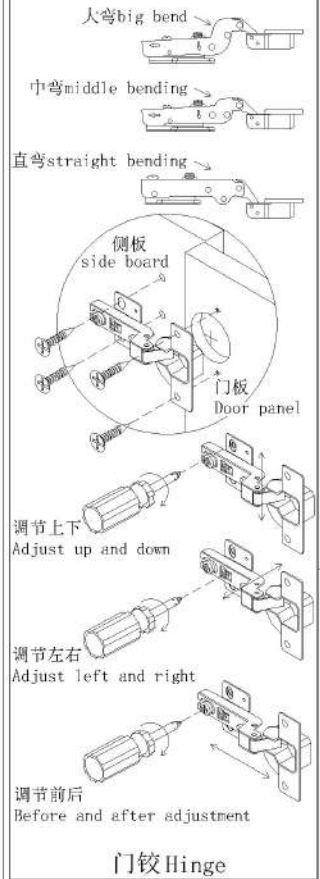


8

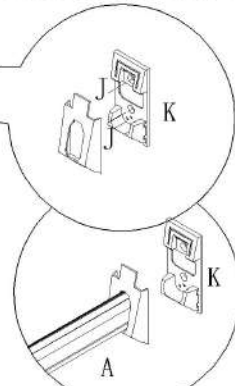


UB1D-A(两门衣柜)

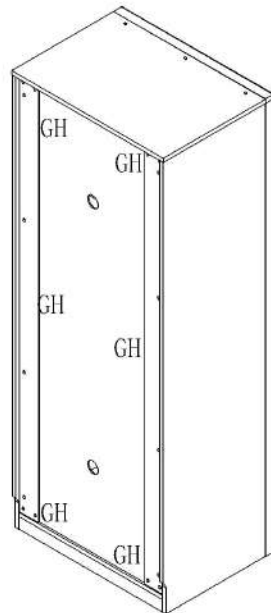
安装方法/
Installation method



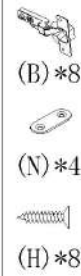
将五金K的盖子拆开再锁
Remove the cover of
hardware K and lock it



将五金A套进五金K的盖子再盖
在五金K的底座上
Put hardware A into the
cover of hardware K and
then cover the base of
hardware K

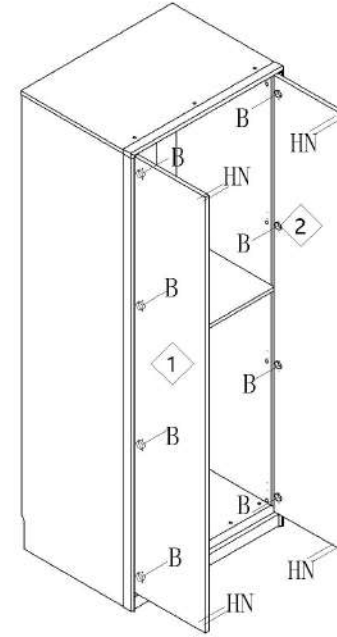


9



11

10



12